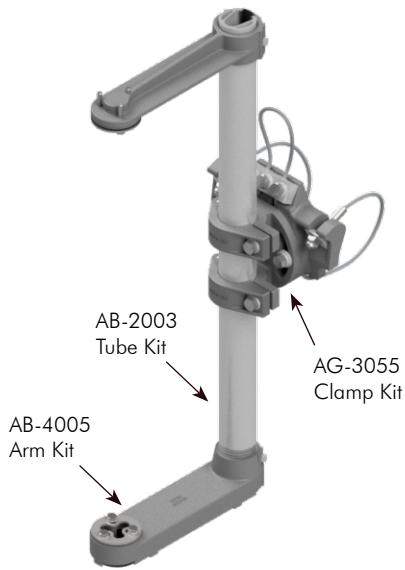


1-Way Assemblies

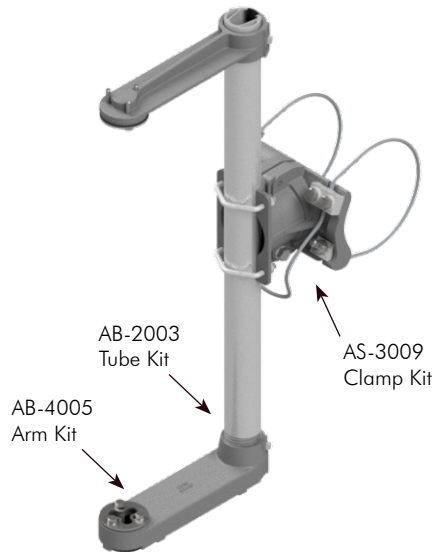
Designed to accommodate all traffic signals, with the exception of optically programmed (see T1-20 through 24). The Galaxy and Stellar series feature all-axis adjustability and are designed to facilitate the mounting of any size signal to any shape mast arm or pole. Available with stainless cable or band, and tenon mount. The hinged clamping mechanism on the Galaxy provides for an easy convenient installation.



Galaxy 1-Way Assy, Stainless Cable Mount

AG-0125	-	Signal Section	-	Cable Length	-	Coating
		1=23" Tube 2=37" Tube 3=46" Tube 4=58" Tube 5=74" Tube		See Table		PNC=Process No Color P__=Paint

Cable Length:	62"	84"	96"	120"	144"	220"	280"
Maximum Pole Dia:	7.0"	10.5"	12.4"	16.2"	20.1"	32.2"	35.0"
Pole Dia w/ Ty-back:	4.5"	7.6"	9.6"	13.4"	17.2"	29.3"	35.0"



Stellar 1-Way Assy, Stainless Cable Mount

AS-0125	-	Signal Section	-	Cable Length	-	Coating
		1=23" Tube 2=37" Tube 3=46" Tube 4=58" Tube 5=74" Tube		See Table		PNC=Process No Color P__=Paint

Cable Length:	62"	84"	96"	120"	144"	220"	280"
Maximum Pole Dia:	7.0"	10.5"	12.4"	16.2"	20.1"	32.2"	35.0"
Pole Dia w/ Ty-back:	4.5"	7.6"	9.6"	13.4"	17.2"	29.3"	35.0"



- Note: 1. All assemblies are supplied standard with stainless steel cable, clamp screw, and fasteners.
 2. See Reference Section page vi for clamp kit pole diameter and tube length information.
 3. See Reference Section page v for available paint colors.



1-Way Assemblies

Designed to accommodate all traffic signals, with the exception of optically programmed (see T1-20 through 24). The Galaxy and Stellar series feature all-axis adjustability and are designed to facilitate the mounting of any size signal to any shape mast arm or pole. Available with stainless cable or band, and tenon mount. The hinged clamping mechanism on the Galaxy provides for an easy convenient installation.



Stellar 1-Way Assy, Stainless Band Mount



AS-0116 - - -

Signal Section: 1=23" Tube, 2=37" Tube, 3=46" Tube, 4=58" Tube, 5=74" Tube

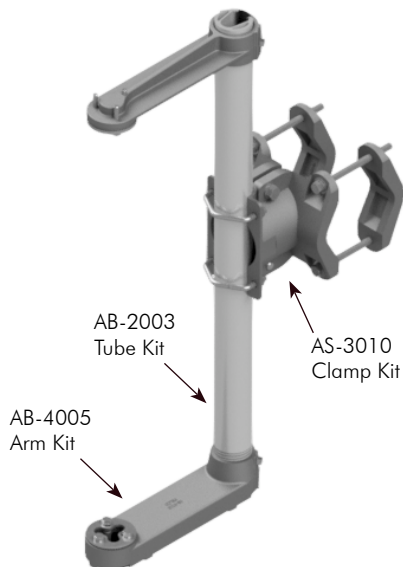
Band Length: See Table

Coating: PNC=Process No Color, P__=Paint

Band Length:	29"	42"	56"	72"	114"
Maximum Pole Dia:	7.3"	11.5"	15.9"	21.0"	34.4"



Stellar 1-Way Assy, Tenon Mount



AS-0137 - -

Signal Section: 1=23" Tube, 2=37" Tube, 3=46" Tube, 4=58" Tube, 5=74" Tube

Coating: PNC=Process No Color, P__=Paint

Note:
Fits 1.9" to 4.5" diameter.



Note: 1. All assemblies are supplied standard with stainless steel cable, clamp screw, and fasteners.
2. See Reference Section page vi for clamp kit pole diameter and tube length information.
3. See Reference Section page v for available paint colors.

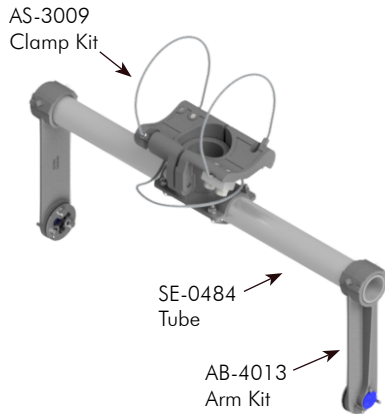


Astro-Brac

pelco
PELCO PRODUCTS, INC.

1-Way Horizontal Assemblies

The Astro-Brac easily adapts to mount signals horizontally from a mast arm. The Stellar all-axis adjustability allows for unique alignment of the signal and is available in stainless cable or band.

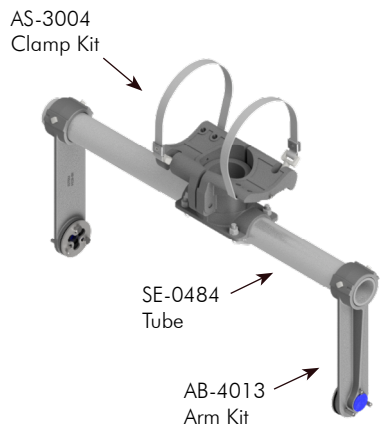


Stellar 1-Way Horizontal Assy, Stainless Cable Mount

AS-0194 - - -

Signal Section	Cable Length	Coating
1=23" Tube	See Table	PNC=Process No Color
2=37" Tube		P_ _=Paint
3=46" Tube		
4=58" Tube		
5=74" Tube		

Cable Length:	62"	84"	96"	120"	144"	220"	280"
Maximum Pole Dia:	7.0"	10.5"	12.4"	16.2"	20.1"	32.2"	35.0"
Pole Dia w/ Ty-back:	4.5"	7.6"	9.6"	13.4"	17.2"	29.3"	35.0"

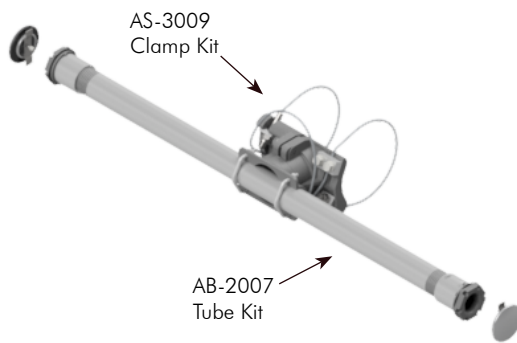


Stellar 1-Way Horizontal Assy, Stainless Band Mount

AS-0124 - - -

Signal Section	Band Length	Coating
1=23" Tube	See Table	PNC=Process No Color
2=37" Tube		P_ _=Paint
3=46" Tube		
4=58" Tube		
5=74" Tube		

Band Length:	29"	42"	56"	72"	114"
Maximum Pole Dia:	7.3"	11.5"	15.9"	21.0"	34.4"



Stellar 1-Way Horizontal Assy w/ Signal Closures, Stainless Cable Mount

AS-0684 - - -

Tube Length	Cable Length	Coating
24=24" Tube	See Table	PNC=Process No Color
36=24" Tube		P_ _=Paint
48=48" Tube		

Cable Length:	62"	84"	96"	120"	144"	220"	280"
Maximum Pole Dia:	7.0"	10.5"	12.4"	16.2"	20.1"	32.2"	35.0"
Pole Dia w/ Ty-back:	4.5"	7.6"	9.6"	13.4"	17.2"	29.3"	35.0"

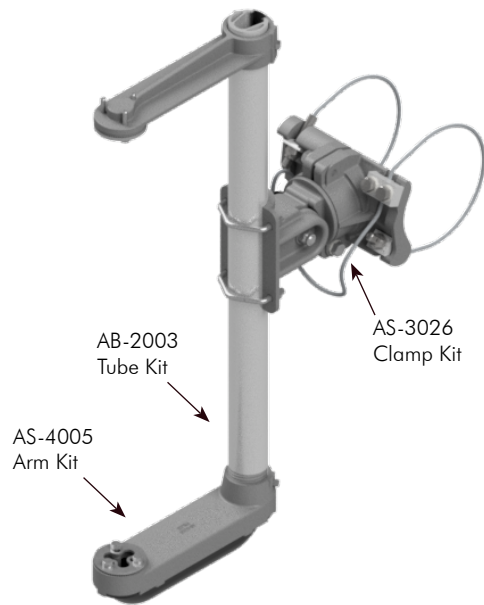


- Note: 1. All assemblies are supplied standard with stainless steel cable, clamp screw, and fasteners.
 2. See Reference Section page vi for clamp kit pole diameter and tube length information.
 3. See Reference Section page v for available paint colors.



1-Way Articulating Assemblies

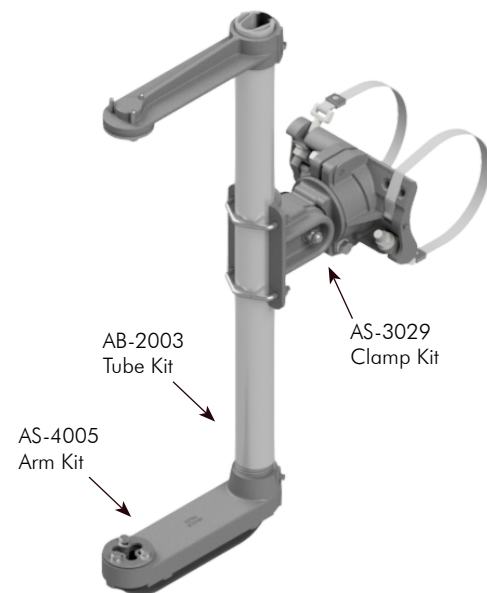
The Atlas series is capable of concealing one 3/4" diameter or two 5/8" diameter conduits. The internal wiring capability and 3 axis of adjustability can handle even the toughest alignment problems, making this system truly universal. Available in stainless cable or band, and tenon mount.



Atlas 1-Way Articulating Assy, Stainless Cable Mount

AS-0150	-	<input type="text"/>	-	<input type="text"/>	-	<input type="text"/>
		Signal Section		Cable Length		Coating
		1=23" Tube		See Table		PNC=Process No Color
		2=37" Tube				P__=Paint
		3=46" Tube				
		4=58" Tube				
		5=74" Tube				

Cable Length:	62"	84"	96"	120"	144"	220"	280"
Maximum Pole Dia:	7.0"	10.5"	12.4"	16.2"	20.1"	32.2"	35.0"
Pole Dia w/ Ty-back:	4.5"	7.6"	9.6"	13.4"	17.2"	29.3"	35.0"



Atlas 1-Way Articulating Assy, Stainless Band Mount

AS-0153	-	<input type="text"/>	-	<input type="text"/>	-	<input type="text"/>
		Signal Section		Band Length		Coating
		1=23" Tube		See Table		PNC=Process No Color
		2=37" Tube				P__=Paint
		3=46" Tube				
		4=58" Tube				
		5=74" Tube				

Band Length:	29"	42"	56"	72"	114"
Maximum Pole Dia:	7.3"	11.5"	15.9"	21.0"	34.4"

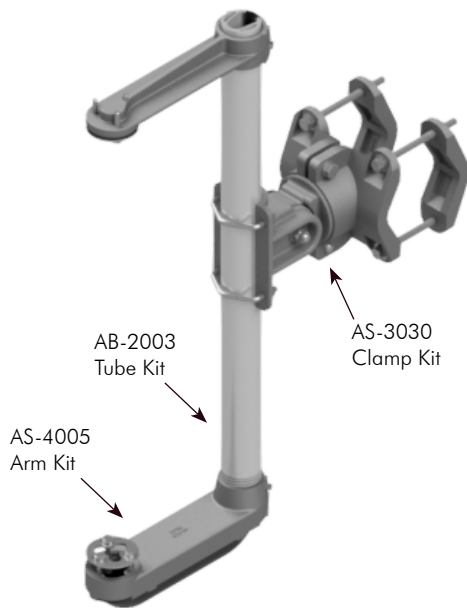


- Note: 1. All assemblies are supplied standard with stainless steel cable, clamp screw, and fasteners.
 2. See Reference Section page vi for clamp kit pole diameter and tube length information.
 3. See Reference Section page v for available paint colors.



1-Way Articulating Assemblies

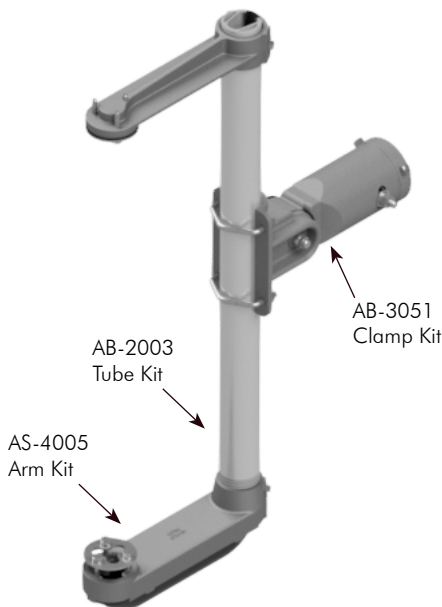
The Atlas series is capable of concealing one 3/4" diameter or two 5/8" diameter conduits. The internal wiring capability and 3 axis of adjustability can handle even the toughest alignment problems, making this system truly universal. Available in stainless cable or band, and tenon mount.



Atlas 1-Way Articulating Assy, Tenon Mount

	Signal Section		Coating	
AS-0154	-	<input type="text"/>	-	<input type="text"/>
		1=23" Tube		PNC=Process No Color
		2=37" Tube		P_ _=Paint
		3=46" Tube		
		4=58" Tube		
		5=74" Tube		

Note:
Fits 1.9" to 4.5" diameter.



Atlas 1-Way Articulating Assy, Tenon Mount

	Signal Section		Coating	
AS-0149	-	<input type="text"/>	-	<input type="text"/>
		1=23" Tube		PNC=Process No Color
		2=37" Tube		P_ _=Paint
		3=46" Tube		
		4=58" Tube		
		5=74" Tube		

Note:
Fits 1.9" diameter.



- Note: 1. All assemblies are supplied standard with stainless steel cable, clamp screw, and fasteners.
2. See Reference Section page vi for clamp kit pole diameter and tube length information.
3. See Reference Section page v for available paint colors.

This page is intentionally left blank.

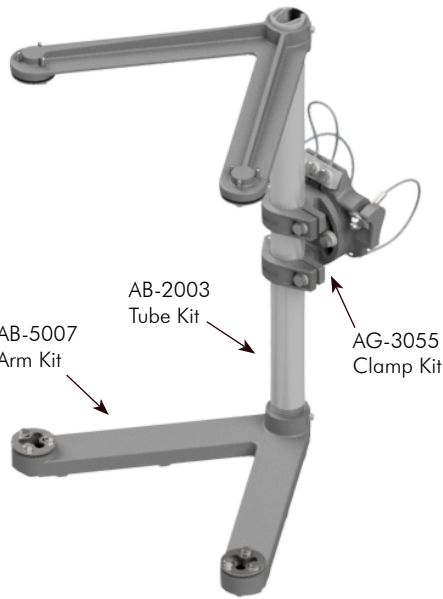
Astro-Brac

pelco
PELCO PRODUCTS, INC.



2-Way Assemblies

Designed to accommodate all traffic signals, with the exception of optically programmed (see T1-20 through 24). The Galaxy and Stellar series feature all-axis adjustability and are designed to facilitate the mounting of 2-way signals to any shape mast arm or pole. Available with stainless cable or band, and tenon mount. The hinged clamping mechanism on the Galaxy provides for an easy convenient installation.



Galaxy 2-Way Assy, Stainless Cable Mount

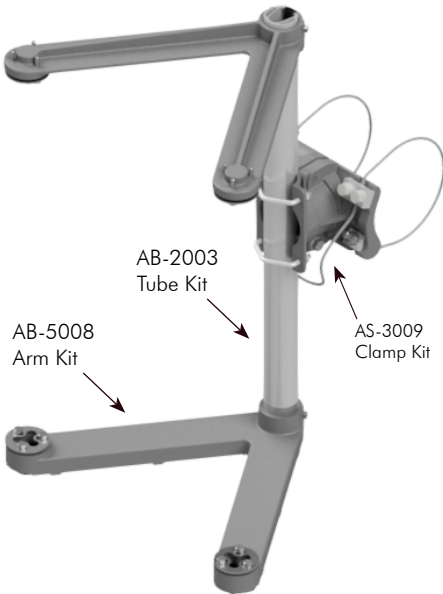
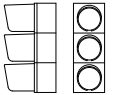
AG-0188 - - -

Signal Section: 1=23" Tube, 2=37" Tube, 3=46" Tube, 4=58" Tube, 5=74" Tube

Cable Length: See Table

Coating: PNC=Process No Color, P__=Paint

Cable Length:	62"	84"	96"	120"	144"	220"	280"
Maximum Pole Dia:	7.0"	10.5"	12.4"	16.2"	20.1"	32.2"	35.0"
Pole Dia w/ Ty-back:	4.5"	7.6"	9.6"	13.4"	17.2"	29.3"	35.0"



Stellar 2-Way Assy, Stainless Cable Mount

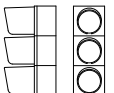
AS-0188 - - -

Signal Section: 1=23" Tube, 2=37" Tube, 3=46" Tube, 4=58" Tube, 5=74" Tube

Cable Length: See Table

Coating: PNC=Process No Color, P__=Paint

Cable Length:	62"	84"	96"	120"	144"	220"	280"
Maximum Pole Dia:	7.0"	10.5"	12.4"	16.2"	20.1"	32.2"	35.0"
Pole Dia w/ Ty-back:	4.5"	7.6"	9.6"	13.4"	17.2"	29.3"	35.0"

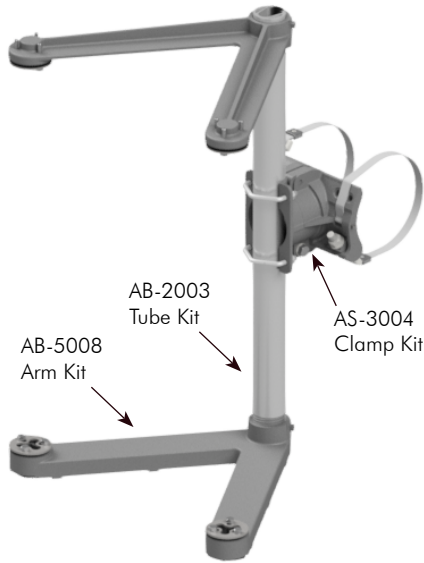


- Note: 1. All assemblies are supplied standard with stainless steel cable, clamp screw, and fasteners.
 2. See Reference Section page vi for clamp kit pole diameter and tube length information.
 3. See Reference Section page v for available paint colors.



2-Way Assemblies

Designed to accommodate all traffic signals, with the exception of optically programmed (see T1-20 through 24). The Galaxy and Stellar series feature all-axis adjustability and are designed to facilitate the mounting of 2-way signals to any shape mast arm or pole. Available with stainless cable or band, and tenon mount. The hinged clamping mechanism on the Galaxy provides for an easy convenient installation.



Stellar 2-Way Assy, Stainless Band Mount

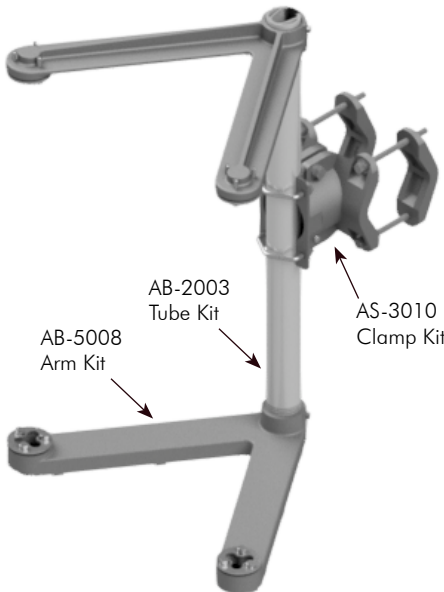
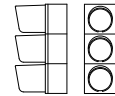
AS-0110 - - -

Signal Section: 1=23" Tube, 2=37" Tube, 3=46" Tube, 4=58" Tube, 5=74" Tube

Band Length: See Table

Coating: PNC=Process No Color, P__=Paint

Band Length:	29"	42"	56"	72"	114"
Maximum Pole Dia:	7.3"	11.5"	15.9"	21.0"	34.4"



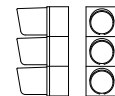
Stellar 2-Way Assy, Tenon Mount

AS-0641 - -

Signal Section: 1=23" Tube, 2=37" Tube, 3=46" Tube, 4=58" Tube, 5=74" Tube

Coating: PNC=Process No Color, P__=Paint

Note:
Fits 1.9" to 4.5" diameter.



Note: 1. All assemblies are supplied standard with stainless steel cable, clamp screw, and fasteners.
2. See Reference Section page vi for clamp kit pole diameter and tube length information.
3. See Reference Section page v for available paint colors.

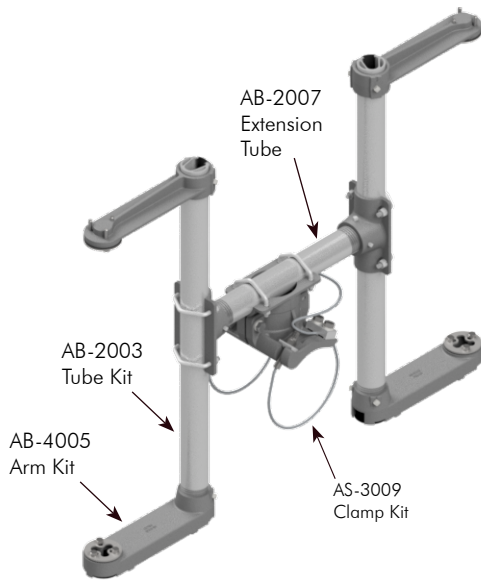


2-Way Assemblies

Designed to accommodate all traffic signals, with the exception of optically programmed. This Stellar assembly features all-axis adjustability and is designed to facilitate the mounting of 2-way signals back-to-back onto any shape mast arm or pole. Available with stainless cable.



Astro-Brac

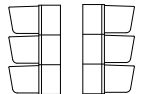


Stellar Adjustable 2-Way Assy w/ Extension Tube, Stainless Cable Mount

AS-0700 - - - -

Signal Section	Extension Tube	Cable Length	Coating
1=23" Tube	12=12" Tube	See Table	PNC=Process No Color
2=37" Tube	14=14" Tube		P__=Paint
3=46" Tube	16=16" Tube		
4=58" Tube			
5=74" Tube			

Cable Length:	62"	84"	96"	120"	144"	220"	280"
Maximum Pole Dia:	7.0"	10.5"	12.4"	16.2"	20.1"	32.2"	35.0"
Pole Dia w/ Ty-back:	4.5"	7.6"	9.6"	13.4"	17.2"	29.3"	35.0"



pelco
PELCO PRODUCTS, INC.

- Note: 1. All assemblies are supplied standard with stainless steel cable, clamp screw, and fasteners.
 2. See Reference Section page vi for clamp kit pole diameter and tube length information.
 3. See Reference Section page v for available paint colors.

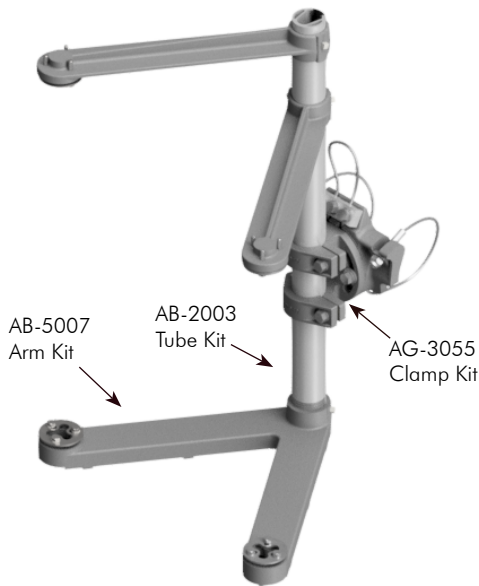


2-Way Variable Assemblies

Designed to accommodate all traffic signals, with the exception of optically programmed. The Galaxy and Stellar 2-Way variable assemblies feature all-axis adjustability and are designed to facilitate the mounting of unbalanced signal combinations onto any shape mast arm or pole. The hinged clamping mechanism on the Galaxy provides for an easy convenient installation.



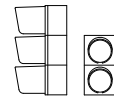
Galaxy 2-Way Variable Assy, Stainless Cable Mount



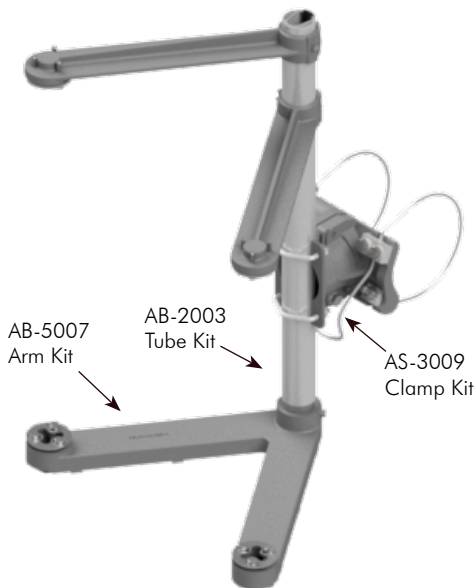
AG-0193 - - -

Signal Section: 3=46" Tube, 4=58" Tube, 5=74" Tube
 Cable Length: See Table
 Coating: PNC=Process No Color, P__=Paint

Cable Length:	62"	84"	96"	120"	144"	220"	280"
Maximum Pole Dia:	7.0"	10.5"	12.4"	16.2"	20.1"	32.2"	35.0"
Pole Dia w/ Ty-back:	4.5"	7.6"	9.6"	13.4"	17.2"	29.3"	35.0"



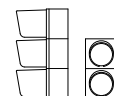
Stellar 2-Way Variable Assy, Stainless Cable Mount



AS-0193 - - -

Signal Section: 3=46" Tube, 4=58" Tube, 5=74" Tube
 Cable Length: See Table
 Coating: PNC=Process No Color, P__=Paint

Cable Length:	62"	84"	96"	120"	144"	220"	280"
Maximum Pole Dia:	7.0"	10.5"	12.4"	16.2"	20.1"	32.2"	35.0"
Pole Dia w/ Ty-back:	4.5"	7.6"	9.6"	13.4"	17.2"	29.3"	35.0"



- Note: 1. All assemblies are supplied standard with stainless steel cable, clamp screw, and fasteners.
 2. See Reference Section page vi for clamp kit pole diameter and tube length information.
 3. See Reference Section page v for available paint colors.

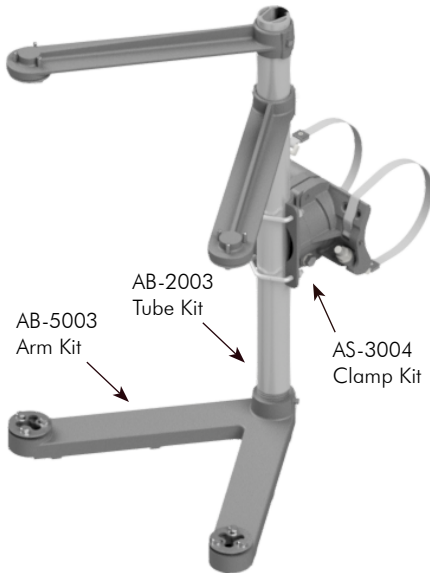


2-Way Variable Assemblies

Designed to accommodate all traffic signals, with the exception of optically programmed. The Galaxy and Stellar 2-Way variable assemblies feature all-axis adjustability and are designed to facilitate the mounting of unbalanced signal combinations onto any shape mast arm or pole. The hinged clamping mechanism on the Galaxy provides for an easy convenient installation.



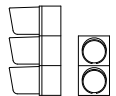
Stellar 2-Way Variable Assy, Stainless Band Mount



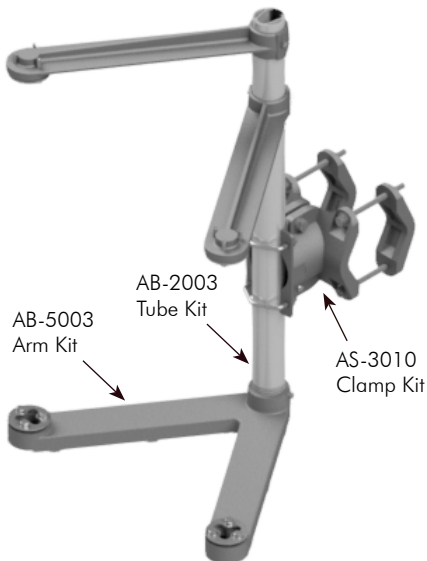
AS-0111 - - -

Signal Section: 3=46" Tube, 4=58" Tube, 5=74" Tube
 Band Length: See Table
 Coating: PNC=Process No Color, P__=Paint

Band Length:	29"	42"	56"	72"	114"
Maximum Pole Dia:	7.3"	11.5"	15.9"	21.0"	34.4"



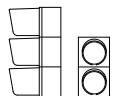
Stellar 2-Way Variable Assy, Tenon Mount



AS-0642 - -

Signal Section: 3=46" Tube, 4=58" Tube, 5=74" Tube
 Coating: PNC=Process No Color, P__=Paint

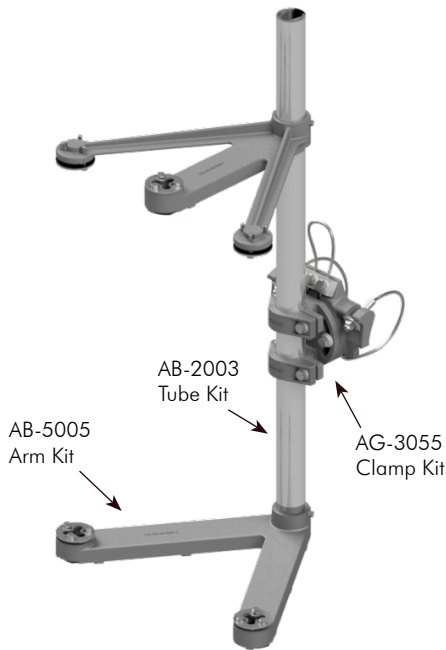
Note:
Fits 1.9" to 4.5" diameter.



Note: 1. All assemblies are supplied standard with stainless steel cable, clamp screw, and fasteners.
 2. See Reference Section page vi for clamp kit pole diameter and tube length information.
 3. See Reference Section page v for available paint colors.

Cluster Assemblies

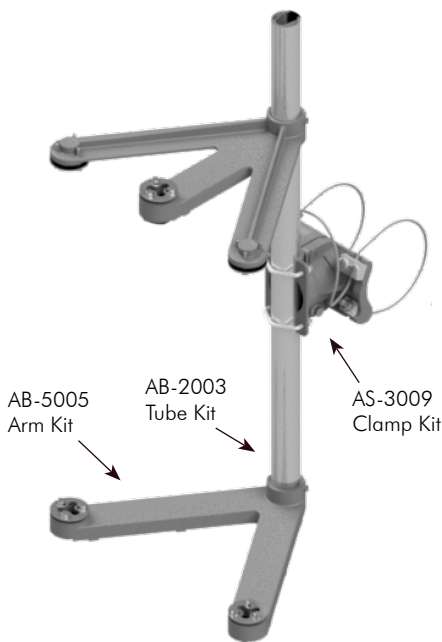
Designed to accommodate all traffic signals, with the exception of optically programmed. The Galaxy and Stellar cluster assemblies feature all-axis adjustability and are designed to facilitate the mounting of 5-section signal heads onto any shape mast arm or pole. Available in stainless cable or band, and tenon mount. The hinged clamping mechanism on the Galaxy provides for an easy convenient installation.



Galaxy 5-Sec Cluster Assy, Stainless Cable Mount

AG-0138 - -
 Cable Length Coating
 See Table PNC=Process No Color
 P__=Paint

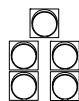
Cable Length:	62"	84"	96"	120"	144"	220"	280"
Maximum Pole Dia:	7.0"	10.5"	12.4"	16.2"	20.1"	32.2"	35.0"
Pole Dia w/ Ty-back:	4.5"	7.6"	9.6"	13.4"	17.2"	29.3"	35.0"



Stellar 5-Sec Cluster Assy, Stainless Cable Mount

AS-0138 - -
 Cable Length Coating
 See Table PNC=Process No Color
 P__=Paint

Cable Length:	62"	84"	96"	120"	144"	220"	280"
Maximum Pole Dia:	7.0"	10.5"	12.4"	16.2"	20.1"	32.2"	35.0"
Pole Dia w/ Ty-back:	4.5"	7.6"	9.6"	13.4"	17.2"	29.3"	35.0"

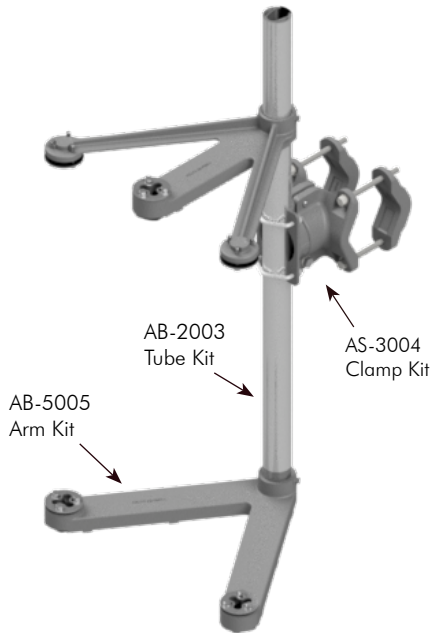


- Note: 1. All assemblies are supplied standard with stainless steel cable, clamp screw, and fasteners.
 2. See Reference Section page vi for clamp kit pole diameter and tube length information.
 3. See Reference Section page v for available paint colors.



Cluster Assemblies

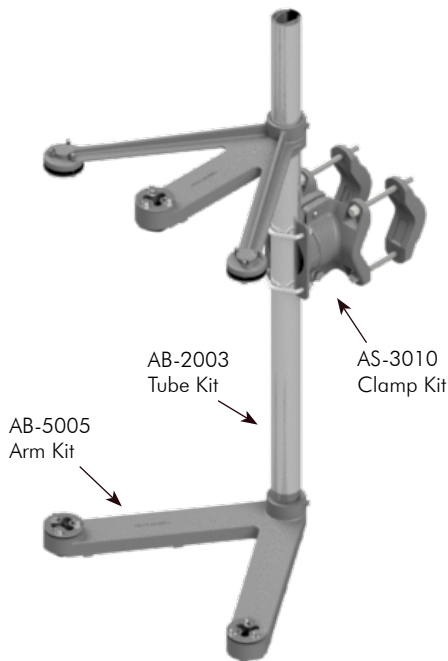
Designed to accommodate all traffic signals, with the exception of optically programmed. The Galaxy and Stellar cluster assemblies feature all-axis adjustability and are designed to facilitate the mounting of 5-section signal heads onto any shape mast arm or pole. Available in stainless cable or band, and tenon mount. The hinged clamping mechanism on the Galaxy provides for an easy convenient installation.



Stellar 5-Sec Cluster Assy, Stainless Band Mount

AS-0109 - -
 Band Length Coating
 See Table PNC=Process No Color
 P__=Paint

Band Length:	29"	42"	56"	72"	114"
Maximum Pole Dia:	7.3"	11.5"	15.9"	21.0"	34.4"



Stellar 5-Sec Cluster Assy, Tenon Mount

AS-0190 -
 Coating
 PNC=Process No Color
 P__=Paint

Note:
Fits 1.9" to 4.5" diameter.

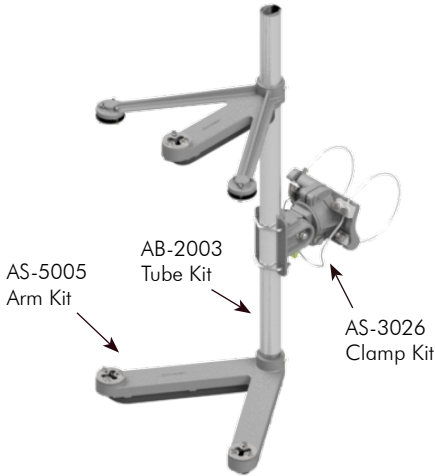


Note: 1. All assemblies are supplied standard with stainless steel cable, clamp screw, and fasteners.
 2. See Reference Section page vi for clamp kit pole diameter and tube length information.
 3. See Reference Section page v for available paint colors.



Cluster Assemblies

The Atlas articulating series of Astro-Brac can conceal one 3/4" diameter or two 5/8" diameter conduits. The cluster assemblies are designed to mount 5-section heads onto any shape of mast arm or pole. The internal wiring capability and 3 axis of adjustability can handle even the toughest alignment problems, making this system truly universal. Available in stainless cable or band, and tenon mount.



Atlas 5-Sec Cluster Articulating Assy, Stainless Cable Mount

AS-0162 - -
 Cable Length Coating
 See Table PNC=Process No Color
 P__=Paint

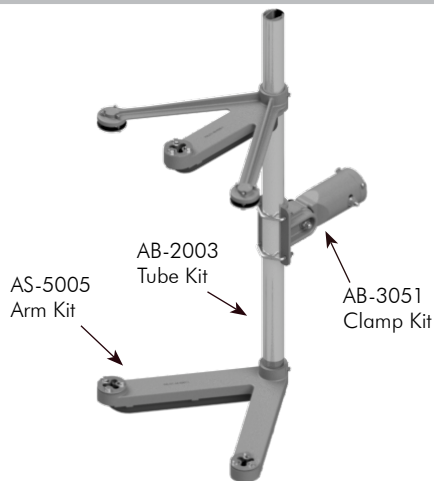
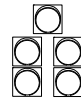
Cable Length:	62"	84"	96"	120"	144"	220"	280"
Maximum Pole Dia:	7.0"	10.5"	12.4"	16.2"	20.1"	32.2"	35.0"
Pole Dia w/ Ty-back:	4.5"	7.6"	9.6"	13.4"	17.2"	29.3"	35.0"



Atlas 5-Sec Cluster Articulating Assy, Stainless Band Mount

AS-0675 - -
 Band Length Coating
 See Table PNC=Process No Color
 P__=Paint

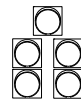
Band Length:	29"	42"	56"	72"	114"
Maximum Pole Dia:	7.3"	11.5"	15.9"	21.0"	34.4"



Atlas 5-Sec Cluster Articulating Assy, Tenon Mount

AS-0187 -
 Coating
 PNC=Process No Color
 P__=Paint

Note:
 Fits 1.9" diameter.

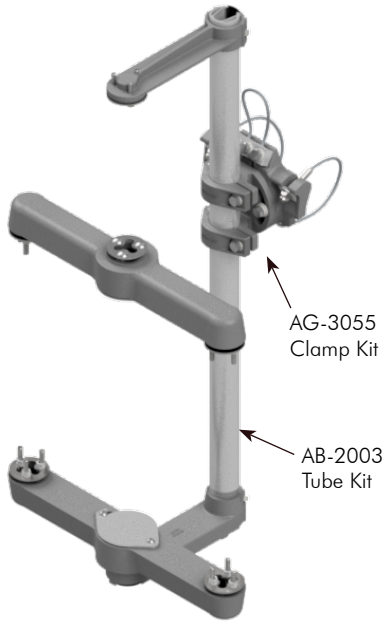


- Note: 1. All assemblies are supplied standard with stainless steel
 2. See Reference Section page vi for clamp kit pole diameter and tube length information.
 3. See Reference Section page v for available paint colors.



Cluster Assemblies

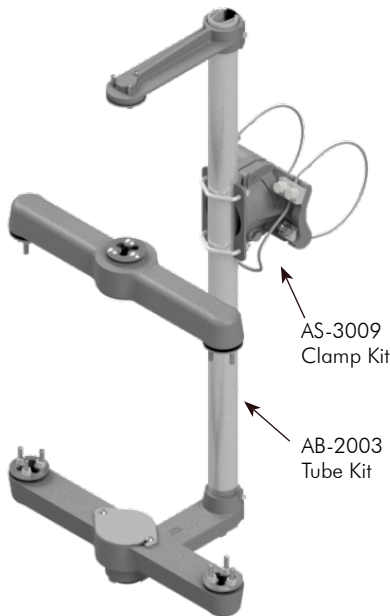
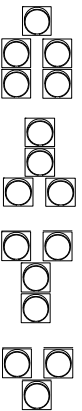
Designed to accommodate all traffic signals, with the exception of the optically programmed. The cluster assemblies with cast uppers are designed to mount 3, 4 or 5-section clusters in various configurations, onto any size of mast arm or pole. Available in stainless cable or band, and tenon mount. The hinged clamping mechanism on the Galaxy provides for an easy convenient installation.



Galaxy Cluster Assy, w/ 17" CTC Cast Uppers Stainless Cable Mount

AG-0168 - -
 Cable Length Coating
 See Table PNC=Process No Color
 P__=Paint

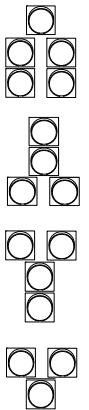
Cable Length:	62"	84"	96"	120"	144"	220"	280"
Maximum Pole Dia:	7.0"	10.5"	12.4"	16.2"	20.1"	32.2"	35.0"
Pole Dia w/ Ty-back:	4.5"	7.6"	9.6"	13.4"	17.2"	29.3"	35.0"



Stellar Cluster Assy, w/ 17" CTC Cast Uppers Stainless Cable Mount

AS-0168 - -
 Cable Length Coating
 See Table PNC=Process No Color
 P__=Paint

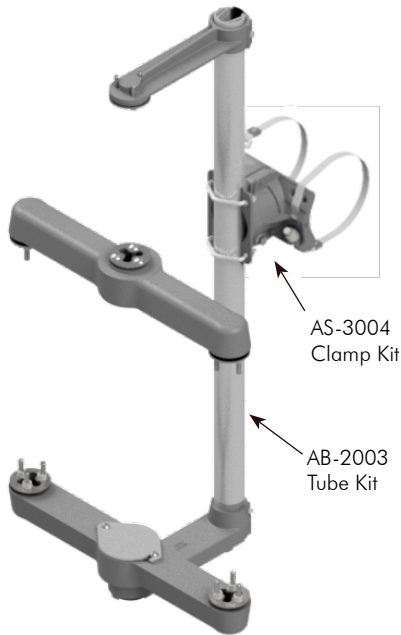
Cable Length:	62"	84"	96"	120"	144"	220"	280"
Maximum Pole Dia:	7.0"	10.5"	12.4"	16.2"	20.1"	32.2"	35.0"
Pole Dia w/ Ty-back:	4.5"	7.6"	9.6"	13.4"	17.2"	29.3"	35.0"



- Note: 1. All assemblies are supplied standard with stainless steel cable, clamp screw, and fasteners.
 2. See Reference Section page vi for clamp kit pole diameter and tube length information.
 3. See Reference Section page v for available paint colors.

Cluster Assemblies

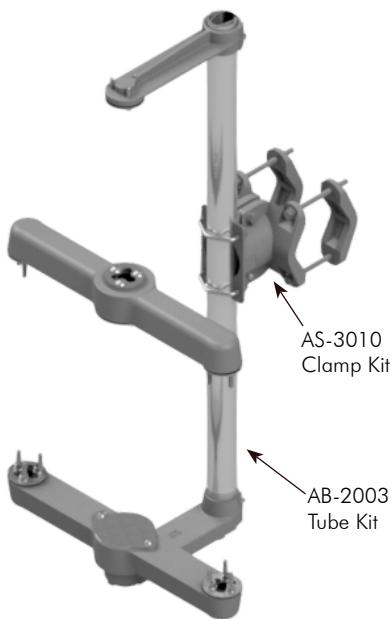
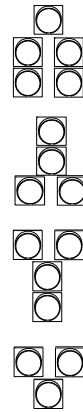
Designed to accommodate all traffic signals, with the exception of the optically programmed. The cluster assemblies with cast uppers are designed to mount 3, 4 or 5-section clusters in various configurations, onto any size of mast arm or pole. Available in stainless cable or band, and tenon mount. The hinged clamping mechanism on the Galaxy provides for an easy convenient installation.



Stellar Cluster Assy, w/ 17" CTC Cast Uppers Stainless Band Mount

AS-0167 - -
 Band Length Coating
 See Table PNC=Process No Color
 P__=Paint

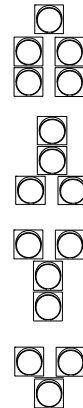
Band Length:	29"	42"	56"	72"	114"
Maximum Pole Dia:	7.3"	11.5"	15.9"	21.0"	34.4"



Stellar Cluster Assy, w/ 17" CTC Cast Uppers Tenon Mount

AS-0679 -
 Coating
 PNC=Process No Color
 P__=Paint

Note:
Fits 1.9" to 4.5" diameter.



Note: 1. All assemblies are supplied standard with stainless steel cable, clamp screw, and fasteners.
 2. See Reference Section page vi for clamp kit pole diameter and tube length information.
 3. See Reference Section page v for available paint colors.

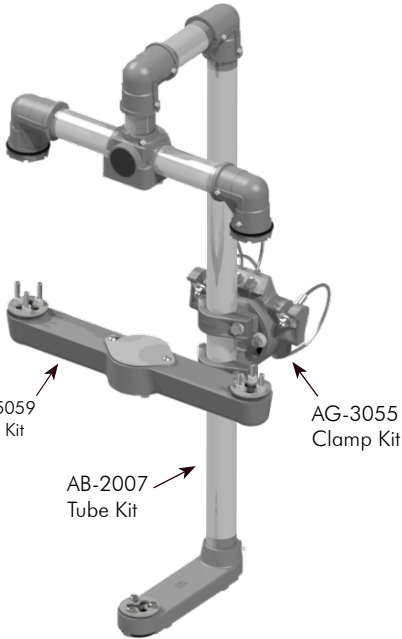


Cluster Assemblies

Designed to accommodate all traffic signals, with the exception of the optically programmed. This Galaxy assembly is designed to mount a Hawk 3-section cluster configuration onto any size of mast arm or pole. The hinged clamping mechanism on the Galaxy provides for an easy convenient installation.



Astro-Brac



Galaxy Cluster 1-Way Hawk Assy, 17" CTC Stainless Cable Mount

AG-0705 - -
 Cable Length Coating
 See Table PNC=Process No Color
 P__=Paint

Cable Length:	62"	84"	96"	120"	144"	220"	280"
Maximum Pole Dia:	7.0"	10.5"	12.4"	16.2"	20.1"	32.2"	35.0"
Pole Dia w/ Ty-back:	4.5"	7.6"	9.6"	13.4"	17.2"	29.3"	35.0"



- Note: 1. All assemblies are supplied standard with stainless steel cable, clamp screw, and fasteners.
 2. See Reference Section page vi for clamp kit pole diameter and tube length information.
 3. See Reference Section page v for available paint colors.



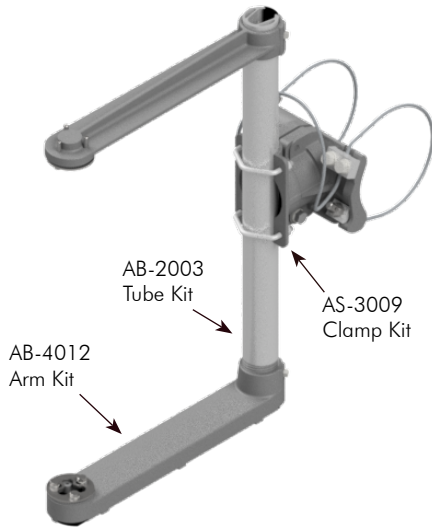
pelco
PELCO PRODUCTS, INC.

1-Way Pedestrian Assemblies

With the extended arms this bracket assembly is designed to accommodate the pedestrian signal. The Stellar Astro-Brac features all-axis adjustability and is designed to facilitate the mounting of a ped signal to any shape pole. Available in stainless cable or band mount.



Stellar 1-Way ICC Ped Head Assy, Stainless Cable Mount

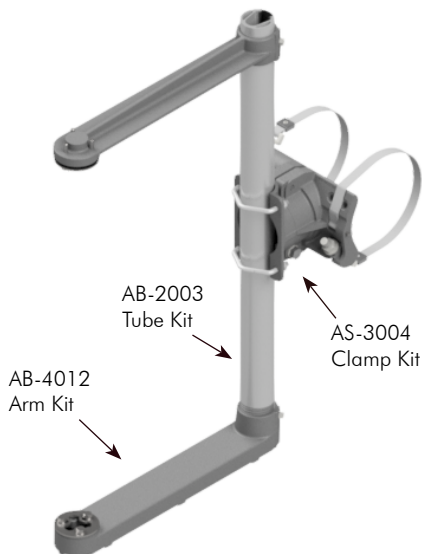


AS-0157 - -
 Cable Length Coating
 See Table PNC=Process No Color
 P_ =Paint

Cable Length:	62"	84"	96"	120"	144"	220"	280"
Maximum Pole Dia:	7.0"	10.5"	12.4"	16.2"	20.1"	32.2"	35.0"
Pole Dia w/ Ty-back:	4.5"	7.6"	9.6"	13.4"	17.2"	29.3"	35.0"



Stellar 1-Way ICC Ped Head Assy, Stainless Band Mount



AS-0133 - -
 Band Length Coating
 See Table PNC=Process No Color
 P_ =Paint

Band Length:	29"	42"	56"	72"	114"
Maximum Pole Dia:	7.3"	11.5"	15.9"	21.0"	34.4"



Note: 1. All assemblies are supplied standard with stainless steel cable, clamp screw, and fasteners.
 2. See Reference Section page vi for clamp kit pole diameter and tube length information.
 3. See Reference Section page v for available paint colors.



Astro-Brac

pelco
PELCO PRODUCTS, INC.

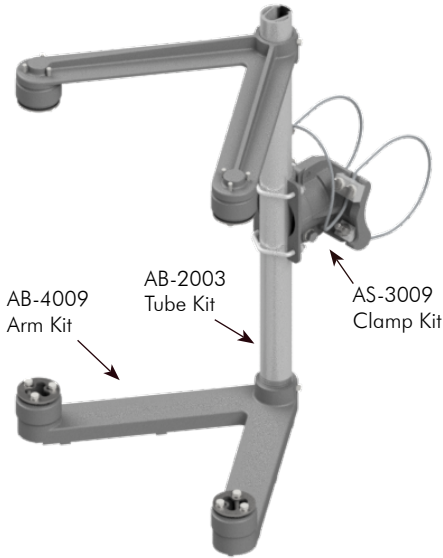
2-Way Pedestrian Assemblies

With the extended arms this bracket assembly is designed to accommodate the pedestrian signal. The Stellar Astro-Brac features all-axis adjustability and is designed to facilitate the mounting of two ped signals to any shape pole. Available in stainless cable or band mount.



Astro-Brac

Stellar 2-Way ICC Ped Heads Assy, Stainless Cable Mount

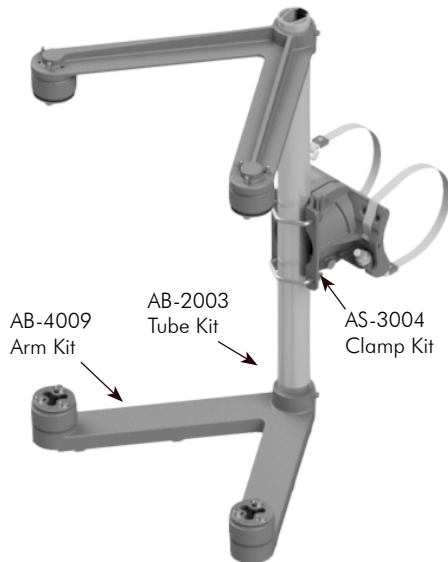


AS-0158 - -
 Cable Length Coating
 See Table PNC=Process No Color
 P__=Paint

Cable Length:	62"	84"	96"	120"	144"	220"	280"
Maximum Pole Dia:	7.0"	10.5"	12.4"	16.2"	20.1"	32.2"	35.0"
Pole Dia w/ Ty-back:	4.5"	7.6"	9.6"	13.4"	17.2"	29.3"	35.0"



Stellar 2-Way ICC Ped Heads Assy, Stainless Band Mount



AS-0131 - -
 Band Length Coating
 See Table PNC=Process No Color
 P__=Paint

Band Length:	29"	42"	56"	72"	114"
Maximum Pole Dia:	7.3"	11.5"	15.9"	21.0"	34.4"

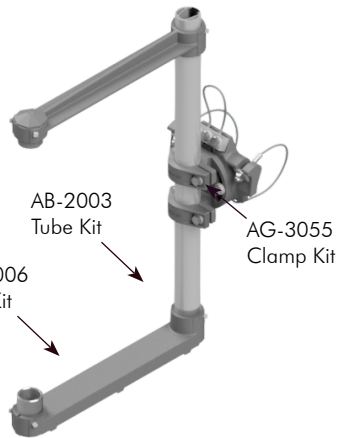


- Note: 1. All assemblies are supplied standard with stainless steel cable, clamp screw, and fasteners.
 2. See Reference Section page vi for clamp kit pole diameter and tube length information.
 3. See Reference Section page v for available paint colors.



1-Way OPS Assemblies

Designed to accommodate optically programmed signal heads. The Galaxy and Stellar Astro-Brac series feature all-axis adjustability and are designed to facilitate the mounting of any size OPS signal onto any shape of mast arm or pole. Available in stainless cable or band mount. The hinged clamping mechanism on the Galaxy provides for an easy convenient installation.

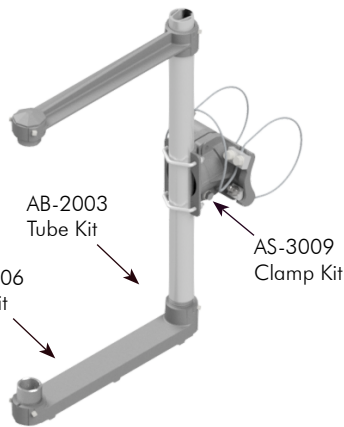


Galaxy 1-Way OPS Signal Assy, Stainless Cable Mount, 1-1/2" NPS

AG-0151 - - -

Signal Section	Cable Length	Coating
3=50" Tube	See Table	PNC=Process No Color
4=66" Tube		P__=Paint
5=82" Tube		

Cable Length:	62"	84"	96"	120"	144"	220"	280"
Maximum Pole Dia:	7.0"	10.5"	12.4"	16.2"	20.1"	32.2"	35.0"
Pole Dia w/ Ty-back:	4.5"	7.6"	9.6"	13.4"	17.2"	29.3"	35.0"

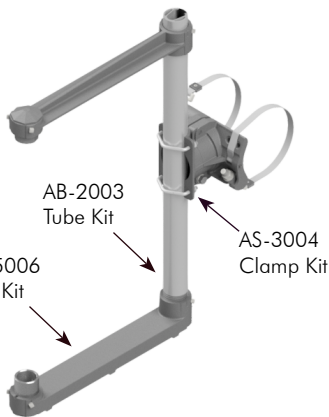


Stellar 1-Way OPS Signal Assy, Stainless Cable Mount, 1-1/2" NPS

AS-0151 - - -

Signal Section	Cable Length	Coating
3=50" Tube	See Table	PNC=Process No Color
4=66" Tube		P__=Paint
5=82" Tube		

Cable Length:	62"	84"	96"	120"	144"	220"	280"
Maximum Pole Dia:	7.0"	10.5"	12.4"	16.2"	20.1"	32.2"	35.0"
Pole Dia w/ Ty-back:	4.5"	7.6"	9.6"	13.4"	17.2"	29.3"	35.0"



Stellar 1-Way OPS Signals Assy, Stainless Band Mount, 1-1/2" NPS

AS-0152 - - -

Signal Section	Band Length	Coating
3=50" Tube	See Table	PNC=Process No Color
4=66" Tube		P__=Paint
5=82" Tube		

Band Length:	29"	42"	56"	72"	114"
Maximum Pole Dia:	7.3"	11.5"	15.9"	21.0"	34.4"



- Note: 1. All assemblies are supplied standard with stainless steel cable, clamp screw, and fasteners.
 2. See Reference Section page vi for clamp kit pole diameter and tube length information.
 3. See Reference Section page v for available paint colors.

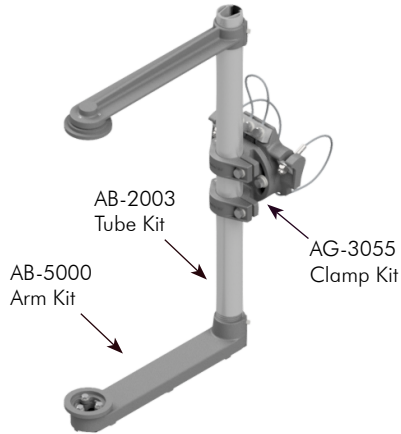


1-Way OPS Assemblies

Designed to accommodate optically programmed signal heads. The Galaxy and Stellar Astro-Brac series feature all-axis adjustability and are designed to facilitate the mounting of any size OPS signal onto any shape of mast arm or pole. Available in stainless cable or band, and tenon mount. The hinged clamping mechanism on the Galaxy provides for an easy convenient installation.



Astro-Brac

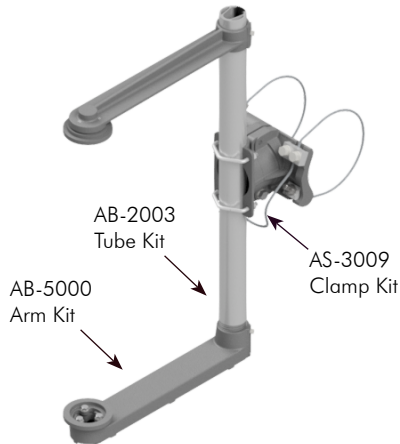


Galaxy 1-Way OPS Signal Assy, Stainless Cable Mount, Tri-Bolt

AG-0633 - - -

Signal Section: 3=50" Tube, 4=66" Tube, 5=82" Tube
 Cable Length: See Table
 Coating: PNC=Process No Color, P__=Paint

Cable Length:	62"	84"	96"	120"	144"	220"	280"
Maximum Pole Dia:	7.0"	10.5"	12.4"	16.2"	20.1"	32.2"	35.0"
Pole Dia w/ Ty-back:	4.5"	7.6"	9.6"	13.4"	17.2"	29.3"	35.0"

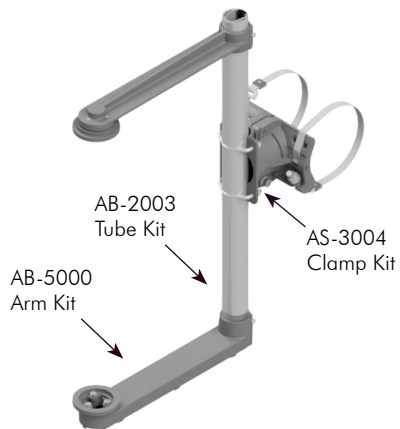


Stellar 1-Way OPS Signal Assy, Stainless Cable Mount, Tri-Bolt

AS-0633 - - -

Signal Section: 3=50" Tube, 4=66" Tube, 5=82" Tube
 Cable Length: See Table
 Coating: PNC=Process No Color, P__=Paint

Cable Length:	62"	84"	96"	120"	144"	220"	280"
Maximum Pole Dia:	7.0"	10.5"	12.4"	16.2"	20.1"	32.2"	35.0"
Pole Dia w/ Ty-back:	4.5"	7.6"	9.6"	13.4"	17.2"	29.3"	35.0"



Stellar 1-Way OPS Signals Assy, Stainless Band Mount, Tri-Bolt

AS-0103 - - -

Signal Section: 3=50" Tube, 4=66" Tube, 5=82" Tube
 Band Length: See Table
 Coating: PNC=Process No Color, P__=Paint

Band Length:	29"	42"	56"	72"	114"
Maximum Pole Dia:	7.3"	11.5"	15.9"	21.0"	34.4"



- Note: 1. All assemblies are supplied standard with stainless steel cable, clamp screw, and fasteners.
 2. See Reference Section page vi for clamp kit pole diameter and tube length information.
 3. See Reference Section page v for available paint colors.

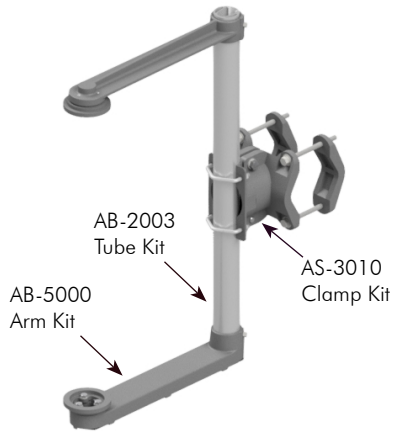


1-Way OPS Assemblies

Designed to accommodate optically programmed signal heads. The Galaxy and Stellar Astro-Brac series feature all-axis adjustability and are designed to facilitate the mounting of any size OPS signal on any shape of mast arm or pole. Available in stainless cable or band, and tenon mount. The hinged clamping mechanism on the Galaxy provides for an easy convenient installation.



Stellar 1-Way OPS Signal Assy, Tenon Mount, Tri-Bolt



	Signal Section		Coating
AS-0143	-	<input type="checkbox"/>	-
		3=3 Sec	PNC=Process No Color
		4=4 Sec	P_=_Paint
		5=5 Sec	

Note:
Fits 1.9" to 4.5" diameter.



Astro-Brac

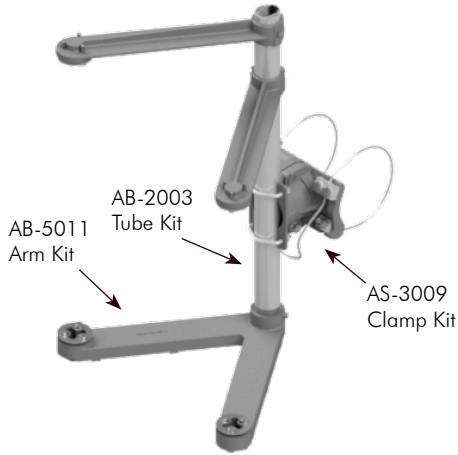
pelco
PELCO PRODUCTS, INC.

- Note: 1. All assemblies are supplied standard with stainless steel cable, clamp screw, and fasteners.
2. See Reference Section page vi for clamp kit pole diameter and tube length information.
3. See Reference Section page v for available paint colors.



Variable OPS Assemblies

Designed to accommodate optically programmed signal heads. The Stellar 2-Way variable OPS assembly features all-axis adjustability and is designed to facilitate the mounting of unbalanced signal combinations onto any shape mast arm or pole.

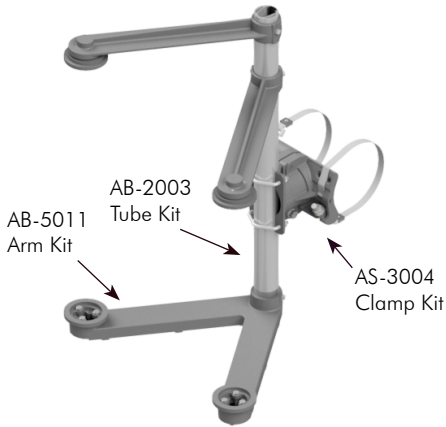
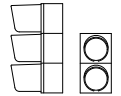


Stellar 2-Way Variable OPS Signal Assy, Stainless Cable Mount, Tri-Bolt

AS-0193 - - -

Signal Section	Cable Length	Coating
3=50" Tube	See Table	PNC=Process No Color
4=66" Tube	Table	P__=Paint
5=82" Tube		

Cable Length:	62"	84"	96"	120"	144"	220"	280"
Maximum Pole Dia:	7.0"	10.5"	12.4"	16.2"	20.1"	32.2"	35.0"
Pole Dia w/ Ty-back:	4.5"	7.6"	9.6"	13.4"	17.2"	29.3"	35.0"

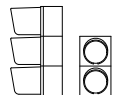


Stellar 2-Way Variable OPS Signal Assy, Stainless Band Mount, Tri-Bolt

AS-0192 - - -

Signal Section	Band Length	Coating
3=50" Tube	See Table	PNC=Process No Color
4=66" Tube	Table	P__=Paint
5=82" Tube		

Band Length:	29"	42"	56"	72"	114"
Maximum Pole Dia:	7.3"	11.5"	15.9"	21.0"	34.4"

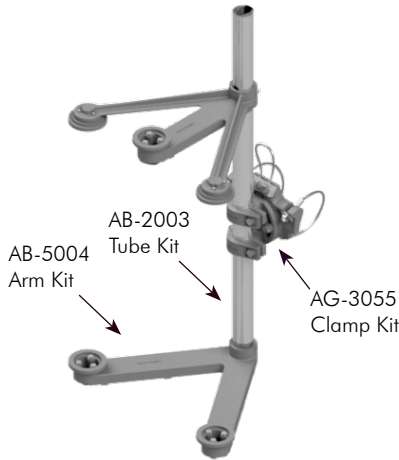


- Note: 1. All assemblies are supplied standard with stainless steel cable, clamp screw, and fasteners.
 2. See Reference Section page vi for clamp kit pole diameter and tube length information.
 3. See Reference Section page v for available paint colors.



Cluster OPS Assemblies

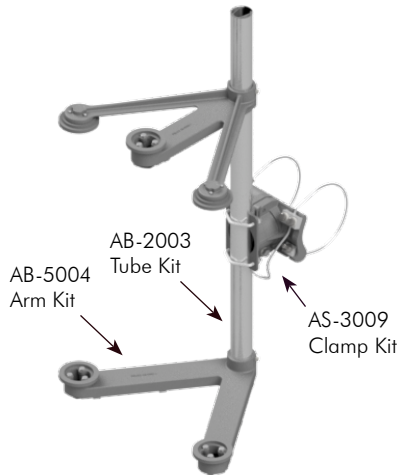
Designed to accommodate optically programmed signal heads. The Galaxy and Stellar Astro-Brac series feature all-axis adjustability and are designed to facilitate the mounting of any size OPS signal onto any shape of mast arm or pole. Available in stainless cable or band mount. The hinged clamping mechanism on the Galaxy provides for an easy convenient installation.



Galaxy 5-Sec Cluster OPS Signal Assy, Stainless Cable Mount, Tri-Bolt

AG-0199 - -
 Cable Length Coating
 See Table PNC=Process No Color
 P__=Paint

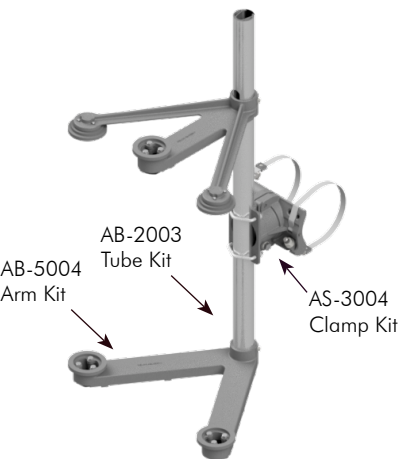
Cable Length:	62"	84"	96"	120"	144"	220"	280"
Maximum Pole Dia:	7.0"	10.5"	12.4"	16.2"	20.1"	32.2"	35.0"
Pole Dia w/ Ty-back:	4.5"	7.6"	9.6"	13.4"	17.2"	29.3"	35.0"



Stellar 5-Sec Cluster OPS Signal Assy, Stainless Cable Mount, Tri-Bolt

AS-0199 - -
 Cable Length Coating
 See Table PNC=Process No Color
 P__=Paint

Cable Length:	62"	84"	96"	120"	144"	220"	280"
Maximum Pole Dia:	7.0"	10.5"	12.4"	16.2"	20.1"	32.2"	35.0"
Pole Dia w/ Ty-back:	4.5"	7.6"	9.6"	13.4"	17.2"	29.3"	35.0"



Stellar 5-Sec Cluster OPS Signal Assy, Stainless Band Mount, Tri-Bolt

AS-0191 - -
 Band Length Coating
 See Table PNC=Process No Color
 P__=Paint

Band Length:	29"	42"	56"	72"	114"
Maximum Pole Dia:	7.3"	11.5"	15.9"	21.0"	34.4"



- Note: 1. All assemblies are supplied standard with stainless steel cable, clamp screw, and fasteners.
 2. See Reference Section page vi for clamp kit pole diameter and tube length information.
 3. See Reference Section page v for available paint colors.

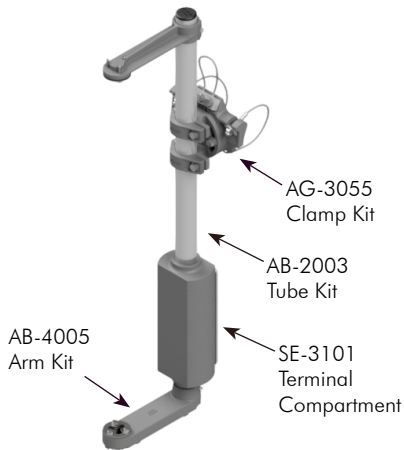


Terminal Compartment Assemblies

Pelco's in-line Astro-Brac terminal compartment assemblies satisfy the need of a terminal compartment without sacrificing all-axis adjustability. Galaxy and Stellar series are designed to facilitate the mounting of any size signal onto any shape of mast arm or pole. Available in stainless cable or band mount. The hinged clamping mechanism on the Galaxy provides for an easy convenient installation.



Astro-Brac

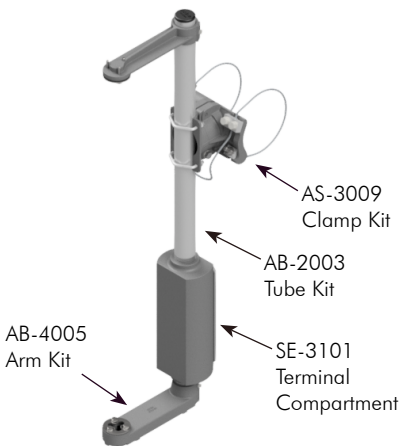


Galaxy 1-Way Terminal Compartment Assy, Stainless Cable Mount

AG-0620 - - -

Signal Section	Cable Length	Coating
3=37" Tube	See Table	PNC=Process No Color
4=46" Tube		P_=_Paint
5=58" Tube		

Cable Length:	62"	84"	96"	120"	144"	220"	280"
Maximum Pole Dia:	7.0"	10.5"	12.4"	16.2"	20.1"	32.2"	35.0"
Pole Dia w/ Ty-back:	4.5"	7.6"	9.6"	13.4"	17.2"	29.3"	35.0"

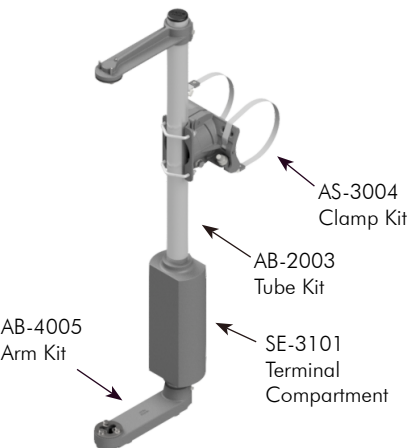


Stellar 1-Way Terminal Compartment Assy, Stainless Cable Mount

AS-0620 - - -

Signal Section	Cable Length	Coating
3=37" Tube	See Table	PNC=Process No Color
4=46" Tube		P_=_Paint
5=58" Tube		

Cable Length:	62"	84"	96"	120"	144"	220"	280"
Maximum Pole Dia:	7.0"	10.5"	12.4"	16.2"	20.1"	32.2"	35.0"
Pole Dia w/ Ty-back:	4.5"	7.6"	9.6"	13.4"	17.2"	29.3"	35.0"



Stellar 1-Way Terminal Compartment Assy, Stainless Band Mount

AS-0112 - - -

Signal Section	Band Length	Coating
3=37" Tube	See Table	PNC=Process No Color
4=46" Tube		P_=_Paint
5=58" Tube		

Band Length:	29"	42"	56"	72"	114"
Maximum Pole Dia:	7.3"	11.5"	15.9"	21.0"	34.4"

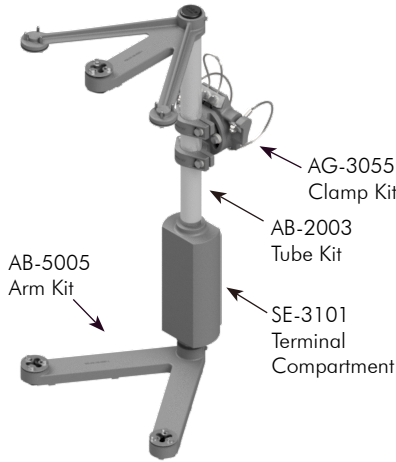


- Note: 1. All assemblies are supplied standard with stainless steel cable, clamp screw, and fasteners.
 2. See Reference Section page vi for clamp kit pole diameter and tube length information.
 3. See Reference Section page v for available paint colors.



Terminal Compartment Assemblies

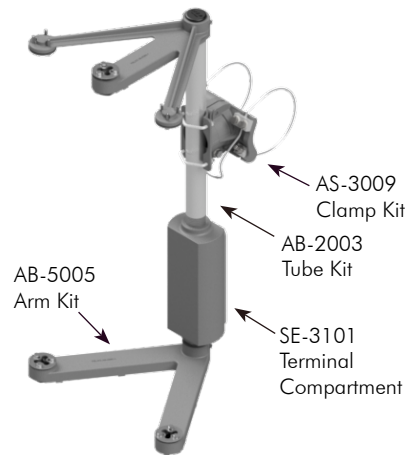
Pelco's in-line Astro-Brac terminal compartment assemblies satisfy the need of a terminal compartment without sacrificing all-axis adjustability. Galaxy and Stellar series are designed to facilitate the mounting of any size signal onto any shape of mast arm or pole. The hinged clamping mechanism on the Galaxy provides for an easy convenient installation.



Galaxy 5-Sec Cluster Terminal Compartment Assy, Stainless Cable Mount

AG-0621 - -
 Cable Length Coating
 See Table PNC=Process No Color
 P_ =Paint

Cable Length:	62"	84"	96"	120"	144"	220"	280"
Maximum Pole Dia:	7.0"	10.5"	12.4"	16.2"	20.1"	32.2"	35.0"
Pole Dia w/ Ty-back:	4.5"	7.6"	9.6"	13.4"	17.2"	29.3"	35.0"



Stellar 5-Sec Cluster Terminal Compartment Assy, Stainless Cable Mount

AS-0621 - -
 Cable Length Coating
 See Table PNC=Process No Color
 P_ =Paint

Cable Length:	62"	84"	96"	120"	144"	220"	280"
Maximum Pole Dia:	7.0"	10.5"	12.4"	16.2"	20.1"	32.2"	35.0"
Pole Dia w/ Ty-back:	4.5"	7.6"	9.6"	13.4"	17.2"	29.3"	35.0"



- Note: 1. All assemblies are supplied standard with stainless steel cable, clamp screw, and fasteners.
 2. See Reference Section for clamp kit pole diameter.
 3. See Reference Section for available paint colors.

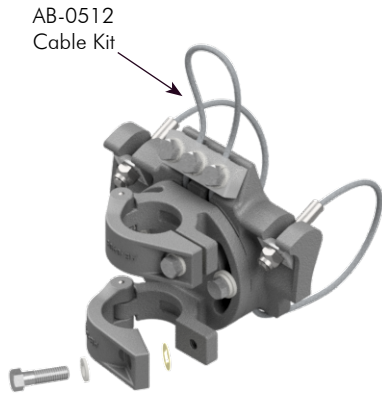


Galaxy Series Clamp Kits

The Galaxy is designed using a single cable plate and a multi-directional adjustable tube saddle. These high tensile aluminum alloy clamp kits provide strength with maximum adjustability and complete clamping versatility. The hinged clamping mechanism provides for an easy convenient one-tool installation. Comes complete with all necessary attaching hardware.



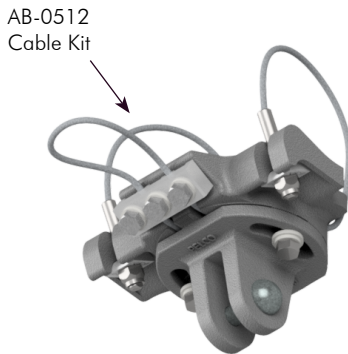
Astro-Brac



Galaxy Hinged Clamp Kit, Stainless Cable Mount

AG-3055 - -
 See Table PNC=Process No Color
 P__=Paint

Cable Length:	62"	84"	96"	120"	144"	220"	280"
Maximum Pole Dia:	7.0"	10.5"	12.4"	16.2"	20.1"	32.2"	35.0"
Pole Dia w/ Ty-back:	4.5"	7.6"	9.6"	13.4"	17.2"	29.3"	35.0"

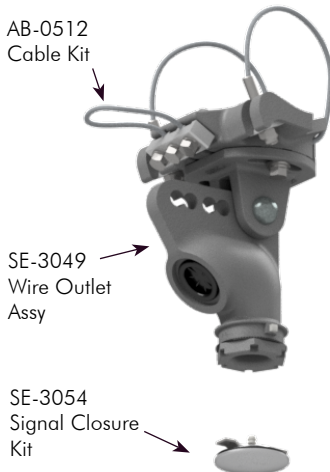


Galaxy Clamp Kit, Free-Swinging 3/4" Clevis, Stainless Cable Mount

AG-3014 - - - -
 See Table Blank=None SB=Stainless PNC=Process No Color
 SS=Stainless Bushing P__=Paint

Cable Length:	62"	84"	96"	120"	144"	220"	280"
Maximum Pole Dia:	7.0"	10.5"	12.4"	16.2"	20.1"	32.2"	35.0"
Pole Dia w/ Ty-back:	4.5"	7.6"	9.6"	13.4"	17.2"	29.3"	35.0"

Note: Stainless upgrade to include stainless pins.



Galaxy Clamp Kit, Free-Swinging w/ Wire Outlet, Stainless Cable Mount

AG-0707 - - - -
 See Table Blank=None SB=Stainless PNC=Process No Color
 SS=Stainless Bushing P__=Paint

Cable Length:	62"	84"	96"	120"	144"	220"	280"
Maximum Pole Dia:	7.0"	10.5"	12.4"	16.2"	20.1"	32.2"	35.0"
Pole Dia w/ Ty-back:	4.5"	7.6"	9.6"	13.4"	17.2"	29.3"	35.0"

Note: Stainless upgrade to include stainless pins.

- Note: 1. All assemblies are supplied standard with stainless steel cable, clamp screw, and fasteners.
 2. See Reference Section for clamp kit pole diameter.
 3. See Reference Section for available paint colors.

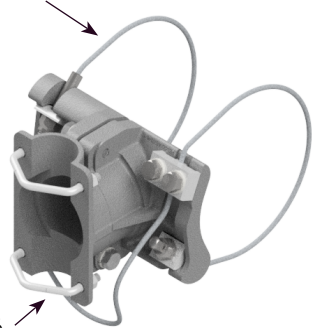


Stellar Series Clamp Kits

These high tensile aluminum alloy clamp kits provide strength with maximum adjustability and complete clamping versatility. The 2-piece clamp features a strong clamping method with quick and easy installation. Available in stainless cable or band, and tenon mount. Supplied with all necessary attaching hardware.



AB-0512
Cable Kit



AB-0256
V-Bolt Kit

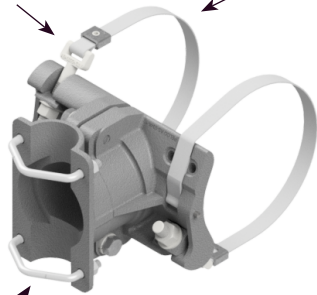
Stellar Clamp Kit, Stainless Cable Mount

AS-3009 - -
 Cable Length Coating
 See Table PNC=Process No Color
 P__=Paint

Cable Length:	62"	84"	96"	120"	144"	220"	280"
Maximum Pole Dia:	7.0"	10.5"	12.4"	16.2"	20.1"	32.2"	35.0"
Pole Dia w/ Ty-back:	4.5"	7.6"	9.6"	13.4"	17.2"	29.3"	35.0"

AB-0204
Clamp Screw Kit

AB-0243
Band Kit



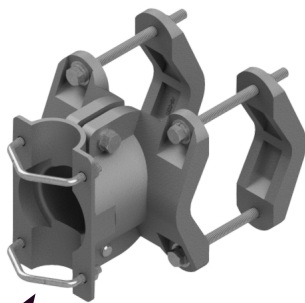
AB-0256
V-Bolt Kit

Stellar Clamp Kit, Stainless Band Mount

AS-3004 - -
 Cable Length Coating
 See Table PNC=Process No Color
 P__=Paint

Band Length:	29"	42"	56"	72"	114"
Maximum Pole Dia:	7.3"	11.5"	15.9"	21.0"	34.4"

Stellar Clamp Kit, Tenon Mount



AB-0256
V-Bolt Kit

AS-3010 -
 Coating
 PNC=Process No Color
 P__=Paint

Note: Fits 1.9" to 4.5" diameter.
 Application Note: Used on trombone style arm.

Note: 1. All assemblies are supplied standard with stainless steel cable, clamp screw, and fasteners.
 2. See Reference Section for clamp kit pole diameter.
 3. See Reference Section for available paint colors.



Astro-Brac

pelco
PELCO PRODUCTS, INC.

Atlas Series Clamp Kits

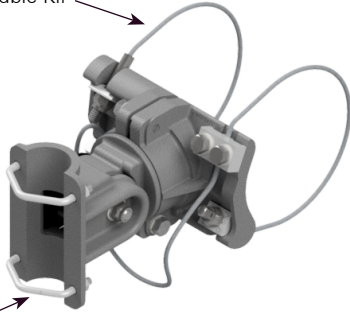
These aluminum serrated articulating clamp kits were specifically designed to accommodate larger conduit. The 3 axis adjustability provides complete clamping versatility. Available in stainless cable or band, and clamp or slip tenon mount. Supplied with all necessary attaching hardware.



Astro-Brac

pelco PELCO PRODUCTS, INC.

AB-0512
Cable Kit



AB-0256
V-Bolt Kit

Atlas Articulated Serrated Clamp Kit, Stainless Cable Mount

AS-3026 - -

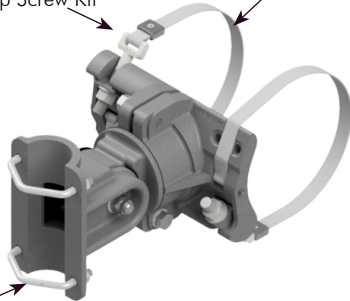
Cable Length Coating

See PNC=Process No Color
Table P__=Paint

Cable Length:	62"	84"	96"	120"	144"	220"	280"
Maximum Pole Dia:	7.0"	10.5"	12.4"	16.2"	20.1"	32.2"	35.0"
Pole Dia w/ Ty-back:	4.5"	7.6"	9.6"	13.4"	17.2"	29.3"	35.0"

AB-0204
Clamp Screw Kit

AB-0243
Band Kit



AB-0256
V-Bolt Kit

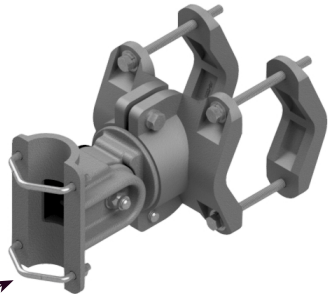
Atlas Articulated Serrated Clamp Kit, Stainless Band Mount

AS-3029 - -

Cable Length Coating

See PNC=Process No Color
Table P__=Paint

Band Length:	29"	42"	56"	72"	114"
Maximum Pole Dia:	7.3"	11.5"	15.9"	21.0"	34.4"



AB-0256
V-Bolt Kit

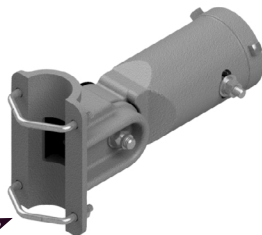
Atlas Articulated Serrated Clamp Kit, Tenon Mount, Clamp

AS-3030 -

Coating

PNC=Process No Color
P__=Paint

Note:
Fits 1.9" to 4.5" diameter.



AB-0256
V-Bolt Kit

Atlas Articulated Serrated Clamp Kit, Tenon Mount, Slip

AB-3051 -

Coating

PNC=Process No Color
P__=Paint

Note:
Fits 2-3/8" diameter.

- Note: 1. All assemblies are supplied standard with stainless steel cable, clamp screw, and fasteners.
 2. See Reference Section for clamp kit pole diameter.
 3. See Reference Section for available paint colors.

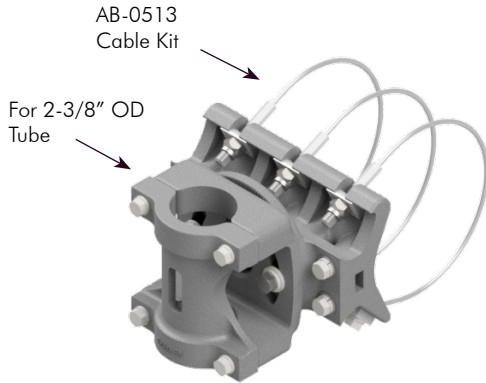


Triton Series Clamp Kits

These high tensile aluminum alloy clamp kits provide strength with maximum adjustability and complete clamping versatility. The Triton clamp kits utilize three stainless cables or bands and are designed to be used with a 2-3/8" diameter tube. Comes complete with all necessary attaching hardware.



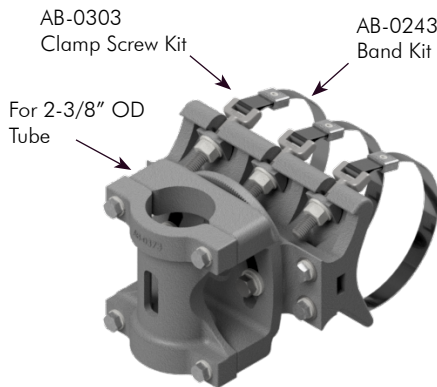
Triton Clamp Kit for 2" Tube, Stainless Cable Mount



AB-3040 - -
 Cable Length Coating
 See Table PNC=Process No Color
 P__=Paint

Cable Length:	45"	62"	84"
Maximum Pole Dia:	11.1"	16.6"	22.0"

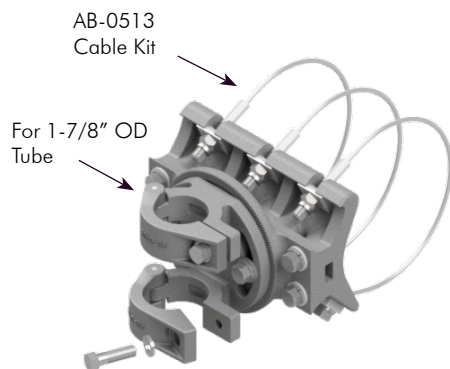
Triton Clamp Kit for 2" Tube, Stainless Band Mount



AB-3039 - -
 Cable Length Coating
 See Table PNC=Process No Color
 P__=Paint

Band Length:	29"	42"	56"	72"
Maximum Pole Dia:	7.3"	11.5"	15.9"	21.0"

Triton Hinged Clamp Kit for 1-1/2" Tube, Stainless Cable Mount



AB-3050 - -
 Cable Length Coating
 See Table PNC=Process No Color
 P__=Paint

Cable Length:	45"	62"	84"
Maximum Pole Dia:	11.1"	16.6"	22.0"

- Note: 1. All assemblies are supplied standard with stainless steel cable, clamp screw, and fasteners.
 2. See Reference Section for clamp kit pole diameter.
 3. See Reference Section for available paint colors.



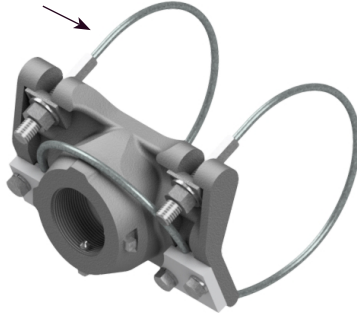
Cable Mount Clamp Kits

These high tensile aluminum alloy clamp kits provide strength with maximum adjustability and complete clamping versatility. They feature high strength stainless steel aircraft cable. Supplied complete with all necessary attaching hardware.



Astro-Brac

AB-0512 Cable Kit



Astro-Brac Clamp Kit, 1-1/2" NPS Stainless Cable Mount

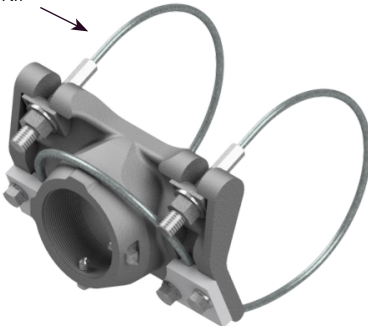
AB-3034 - -

Cable Length Coating

See Table PNC=Process No Color
P__=Paint

Cable Length:	62"	84"	96"	120"	144"	220"	280"
Maximum Pole Dia:	7.0"	10.5"	12.4"	16.2"	20.1"	32.2"	35.0"
Pole Dia w/ Ty-back:	4.5"	7.6"	9.6"	13.4"	17.2"	29.3"	35.0"

AB-0512 Cable Kit



Astro-Brac Clamp Kit, 2" NPS Stainless Cable Mount

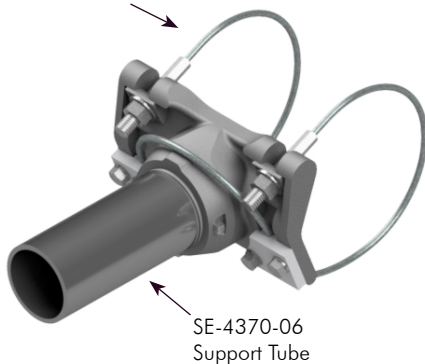
AB-3035 - -

Cable Length Coating

See Table PNC=Process No Color
P__=Paint

Cable Length:	62"	84"	96"	120"	144"	220"	280"
Maximum Pole Dia:	7.0"	10.5"	12.4"	16.2"	20.1"	32.2"	35.0"
Pole Dia w/ Ty-back:	4.5"	7.6"	9.6"	13.4"	17.2"	29.3"	35.0"

AB-0512 Cable Kit



Astro-Brac Clamp Kit, 2" NPS x 6" Plumbizer Tube Stainless Cable Mount

AB-3053 - -

Cable Length Coating

See Table PNC=Process No Color
P__=Paint

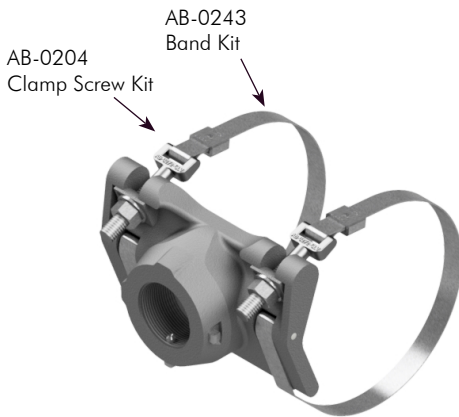
Cable Length:	62"	84"	96"	120"	144"	220"	280"
Maximum Pole Dia:	7.0"	10.5"	12.4"	16.2"	20.1"	32.2"	35.0"
Pole Dia w/ Ty-back:	4.5"	7.6"	9.6"	13.4"	17.2"	29.3"	35.0"

- Note: 1. All assemblies are supplied standard with stainless steel cable, clamp screw, and fasteners.
2. See Reference Section for clamp kit pole diameter.
3. See Reference Section for available paint colors.



Band Mount Clamp Kits

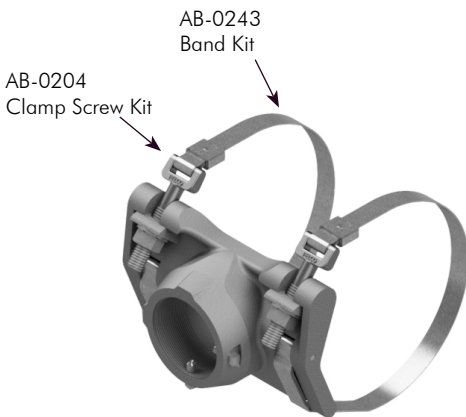
These high tensile aluminum alloy clamp kits provide strength with maximum adjustability and complete clamping versatility. They feature stainless clamp screws and bands which allow for easy signal mounting on any size signal pole. Supplied complete with all necessary attaching hardware.



Astro-Brac Clamp Kit, 1-1/2" NPS Stainless Band Mount

AB-3006 - -
 Band Length Coating
 See Table PNC=Process No Color
 P__=Paint

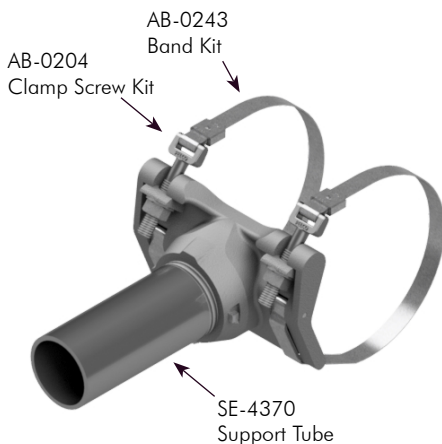
Band Length:	29"	42"	56"	72"	114"
Maximum Pole Dia:	7.3"	11.5"	15.9"	21.0"	34.4"



Astro-Brac Clamp Kit, 2" NPS Stainless Band Mount

AB-3007 - -
 Band Length Coating
 See Table PNC=Process No Color
 P__=Paint

Band Length:	29"	42"	56"	72"	114"
Maximum Pole Dia:	7.3"	11.5"	15.9"	21.0"	34.4"



Astro-Brac Clamp Kit, w/ 2" NPS Plumbizer Tube Stainless Band Mount

AB-3008 - -
 Band Length Coating
 See Table PNC=Process No Color
 P__=Paint

Band Length:	29"	42"	56"	72"	114"
Maximum Pole Dia:	7.3"	11.5"	15.9"	21.0"	34.4"

- Note: 1. All assemblies are supplied standard with stainless steel cable, clamp screw, and fasteners.
 2. See Reference Section for clamp kit pole diameter.
 3. See Reference Section for available paint colors.



Astro-Brac

pelco
PELCO PRODUCTS, INC.

Mini-Brac Clamp Kits

This unique mount is a smaller version of the Astro-Brac and gives the same kind of universal application. The Astro Mini-Brac is ideal for side-of-pole or mast arm mountings for vehicle or pedestrian signals and emergency traffic signal sensors. Available in stainless cable or band mount.



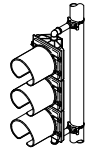
AB-0513
Cable Kit



Mini-Brac Clamp Kit, 1-1/2" NPS Stainless Cable Mount

AB-0160 - -
 Cable Length Coating
 See Table PNC=Process No Color
 P__=Paint

Cable Length:	45"	62"	84"
Maximum Pole Dia:	11.1"	16.6"	22.0"



Side-of-Pole Mounting
Vehicular or Pedestrian Signals

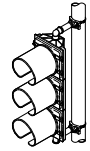
AB-0303
Clamp Screw Kit



Mini-Brac Clamp Kit, 1-1/2" NPS Stainless Band Mount

AB-0121 - -
 Band Length Coating
 See Table PNC=Process No Color
 P__=Paint

Band Length:	29"	42"	56"	72"
Maximum Pole Dia:	7.3"	11.5"	15.9"	21.0"



Side-of-Pole Mounting
Vehicular or Pedestrian Signals

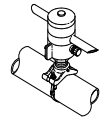
AB-0513
Cable Kit



Mini-Brac Clamp Kit, 3/4"-14 NPT Stainless Cable Mount

AB-0163 - -
 Cable Length Coating
 See Table PNC=Process No Color
 P__=Paint

Cable Length:	45"	62"	84"
Maximum Pole Dia:	11.1"	16.6"	22.0"



Mast Arm Mounting
Emergency Traffic Signal Sensor

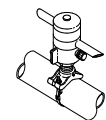
AB-0303
Clamp Screw Kit



Mini-Brac Clamp Kit, 3/4"-14 NPT Band Mount

AB-0155 - -
 Band Length Coating
 See Table PNC=Process No Color
 P__=Paint

Band Length:	29"	42"	56"	72"
Maximum Pole Dia:	7.3"	11.5"	15.9"	21.0"



Mast Arm Mounting
Emergency Traffic Signal Sensor

- Note: 1. All assemblies are supplied standard with stainless steel cable, clamp screw, and fasteners.
 2. See Reference Section for clamp kit pole diameter.
 3. See Reference Section for available paint colors.



This page is intentionally left blank.

Astro-Brac

pelco
PELCO PRODUCTS, INC.



1-Way Astro-Brac Arm Kits

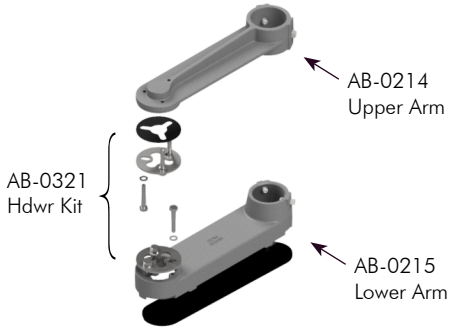
All Pelco arm kits are durable aluminum alloy castings. Various styles are available to fit any manufacturer's signal. They allow positive positioning of the signal head without misalignment. Supplied complete with stainless steel hardware and wire covers.



Astro-Brac

pelco
PELCO PRODUCTS, INC.

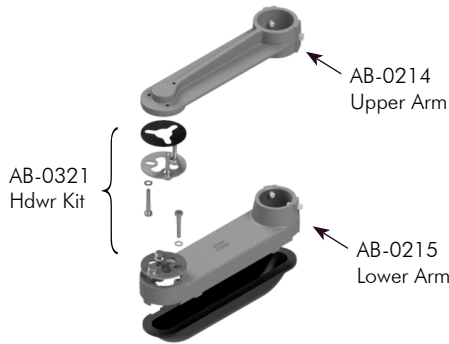
1-Way Arm Kit, 8-1/2" CTC, Alum



AB-4005 - Coating
PNC=Process No Color
P__=Paint



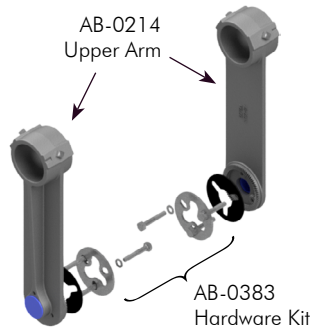
1-Way Arm Kit, 8-1/2" CTC, Alum Large Capacity,



AS-4005 - Coating
PNC=Process No Color
P__=Paint



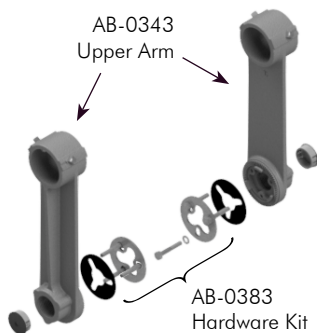
1-Way Arm Kit, 8-1/2" CTC, Alum Tapped for 3/4" CGB



AB-4013 - Coating
PNC=Process No Color
P__=Paint



1-Way Arm Kit, 8-1/2" CTC, Alum Tapped for 1" CGB



AB-4010 - Coating
PNC=Process No Color
P__=Paint



Note: 1. All assemblies are supplied standard with stainless steel washer and fasteners.
2. See Reference Section page v for available paint colors.

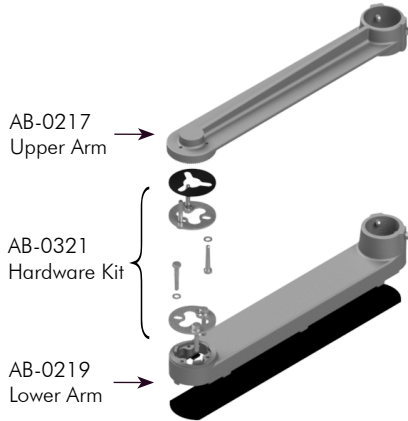


1-Way Astro-Brac Arm Kits

All Pelco arm kits are durable aluminum alloy castings. Various styles are available to fit any manufacturer's signal. They allow positive positioning of the signal head without misalignment. Supplied complete with stainless steel hardware and wire covers.



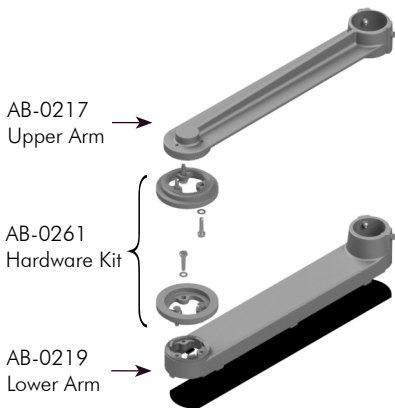
1-Way Arm Kit, 14" CTC, Alum for ICC Ped Head



AB-4012 - Coating
 PNC=Process No Color
 P__=Paint



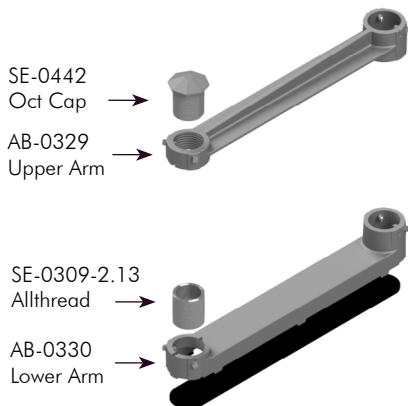
1-Way Arm Kit, 14" CTC, Alum for 3M OPS Signals, Tri-Stud



AB-5000 - Coating
 PNC=Process No Color
 P__=Paint



1-Way Arm Kit, 16" CTC, for OPS Signals, 1-1/2" NPS



AB-5006 - Coating
 PNC=Process No Color
 P__=Paint



Note: 1. All assemblies are supplied standard with stainless steel slotted washer and fasteners.
 2. See Reference Section page v for available paint colors.



Astro-Brac

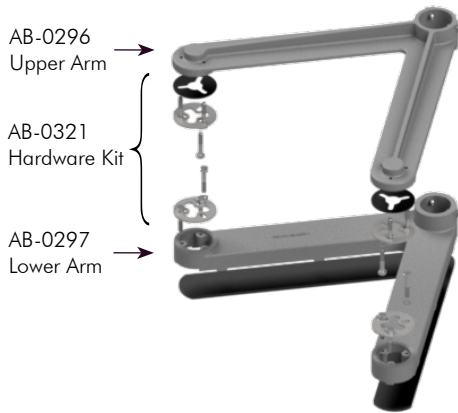
pelco
 PELCO PRODUCTS, INC.

2-Way Astro-Brac Arm Kits

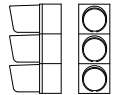
All Pelco arm kits are durable aluminum alloy castings. Various styles are available to fit any manufacturer's signal. They allow positive positioning of the signal head without misalignment. Supplied complete with stainless steel hardware and wire covers.



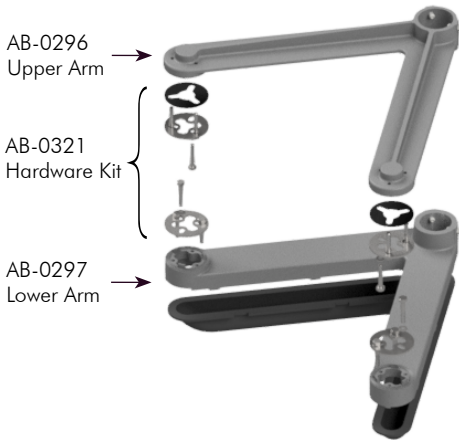
2-Way Arm Kit, 16" CTC, Alum



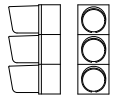
AB-5008 - Coating
 PNC=Process No Color
 P__=Paint



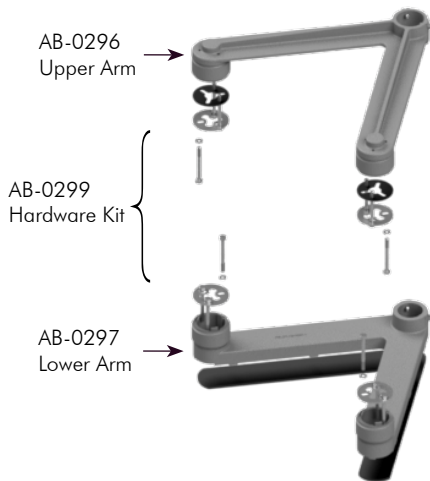
2-Way Arm Kit, 16" CTC, Alum Large Capacity



AS-5008 - Coating
 PNC=Process No Color
 P__=Paint



2-Way Arm Kit, 16" CTC, Alum for ICC Ped Head



AB-4009 - Coating
 PNC=Process No Color
 P__=Paint

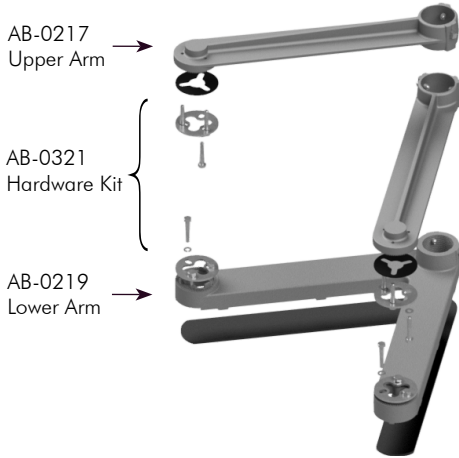


Note: 1. All assemblies are supplied standard with stainless steel slotted washer and fasteners.
 2. See Reference Section page v for available paint colors.



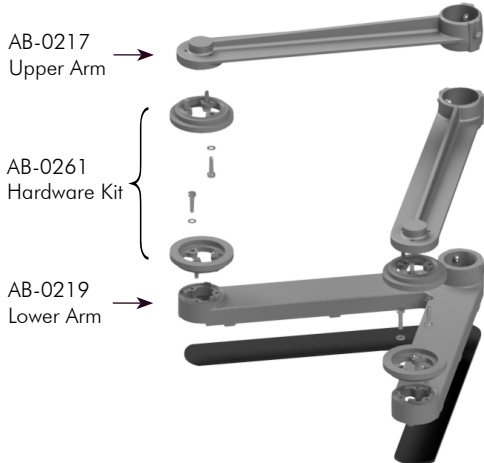
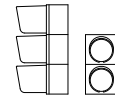
2-Way Variable Astro-Brac Arm Kits

All Pelco arm kits are durable aluminum alloy castings. Various styles are available to fit any manufacturer's signal. They allow positive positioning of the signal head without misalignment. Supplied complete with stainless steel hardware and wire covers.



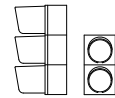
2-Way Variable Arm Kit, 16" CTC, Alum

AB-5007 - Coating
 PNC=Process No Color
 P__=Paint



2-Way Variable Arm Kit, 16" CTC, Alum for OPS Signals

AB-5011 - Coating
 PNC=Process No Color
 P__=Paint



Note: 1. All assemblies are supplied standard with stainless steel slotted washer and fasteners.
 2. See Reference Section page v for available paint colors.



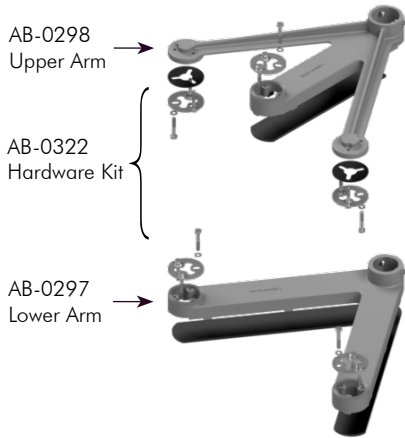
Cluster Astro-Brac Arm Kits

All Pelco arm kits are durable aluminum alloy castings. Various styles are available to fit any manufacturer's signal. They allow positive positioning of the signal head without misalignment. Supplied complete with stainless steel hardware and wire covers.



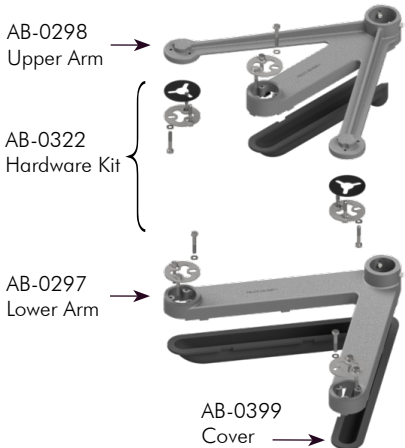
Astro-Brac

pelco
PELCO PRODUCTS, INC.



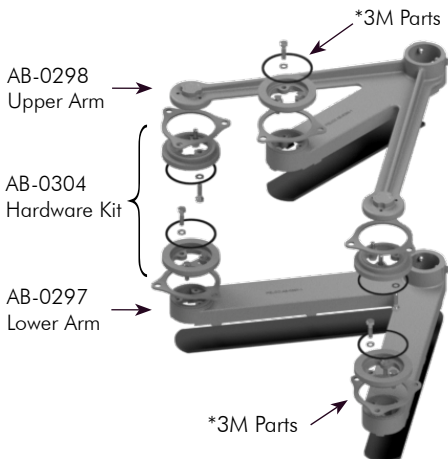
5-Section Cluster Arm Kit, 16" CTC, Alum

AB-5005 - Coating
 PNC=Process No Color
 P__=Paint



5-Section Cluster Arm Kit, 16" CTC, Alum Large Capacity

AS-5005 - Coating
 PNC=Process No Color
 P__=Paint



5-Section Cluster Arm Kit, 16" CTC, Alum for 3M OPS Signals

AB-5004 - Coating
 PNC=Process No Color
 P__=Paint

Note: *3M parts supplied by others



Note: 1. All assemblies are supplied standard with stainless steel slotted washer and fasteners.
 2. See Reference Section page v for available paint colors.



Aluminum Gusseted Tubes

Supplied in lengths shown below, Pelco's vertical support tubing is made from high strength aluminum alloy. A unique shape and PVC insert insures a complete weather proof wiring installation anywhere along the entire length of the tube. The standard 46" tube will accommodate standard signal combinations up to 3-section 12", with the 58" and 74" lengths for 4 and 5-section combinations. Optional tube lengths are available for mounting OPS signals.



AB-0306
Gusseted Tube



AB-0392
PVC Insert

Gusseted Tube w/ 3/4" Opening & PVC Insert, 1-1/2" (1.90" OD) x Length, Threaded One End

AB-2003	-	Length	-	Coating
		<input type="text"/>		<input type="text"/>
		23=23"		PNC=Process No Color
		37=37"		P__=Paint
		46=46"		
		58=58"		
		74=74"		



AB-0307
Gusseted Tube



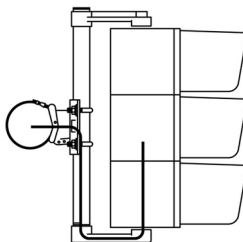
AB-0392
PVC Insert

Gusseted Tube w/ 3/4" Opening & PVC Insert, 1-1/2" (1.90" OD) x Length, Threaded Both Ends

AB-2007	-	Length	-	Coating
		<input type="text"/>		<input type="text"/>
		23=23"		PNC=Process No Color
		37=37"		P__=Paint
		46=46"		
		58=58"		
		74=74"		

Concealed Wiring Installation

Pelco's aluminum gusseted tubes allow wire entry at any point. The PVC insert conceals wiring from mast arm to signal head. Simply run wire through field-drilled hole in mast arm, through Astro-Brac, and into support tube. The hollow lower arm provides a channel for wire to be fed into signal head.



- Note: 1. Standard lengths shown above. Lengths up to 120" maximum are available upon request.
 2. See Reference Section page vi for appropriate tube length for mounting both standard and OPS signals.
 3. See Reference Section page v for available paint colors.



Aluminum Tubes

Supplied in lengths shown below, Pelco's gusseted and support tubing is made from high strength aluminum alloy. The standard 46" tube will accommodate standard signal combinations up to 3-section 12", with the 58" and 74" lengths for 4 and 5-section combinations. Optional tube lengths are available for mounting OPS signals.



Gusseted Tube, 1-1/2" w/ 3/4" Opening, 1.90" OD x Length, No Threads

AB-0390 - -

Length Coating

23=23" PNC=Process No Color
 37=37" P__=Paint
 46=46"
 58=58"
 74=74"



Pipe 1-1/2" SCH 40 Aluminum, 1.90" OD x Length, No Threads

SE-0484 - -

Length Coating

23=23" PNC=Process No Color
 37=37" P__=Paint
 46=46"
 58=58"
 74=74"



Pipe, 2" SCH 40 Aluminum, 2.375" OD x Length, No Threads

SE-0494 - -

Length Coating

23=23" PNC=Process No Color
 37=37" P__=Paint
 46=46"
 58=58"
 74=74"

- Note: 1. Standard lengths shown above. Lengths up to 120" maximum are available upon request.
 2. See Reference Section page vi for appropriate tube length for mounting both standard and OPS signals.
 3. See Reference Section page v for available paint colors.



This page is intentionally left blank.

Astro-Brac

pelco
PELCO PRODUCTS, INC.



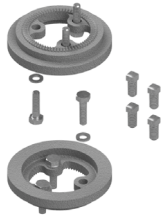
Astro-Brac Hardware Kits



AB-0321-SS **Hardware Kit, 1-Way Arm,
1/4"-20NC**



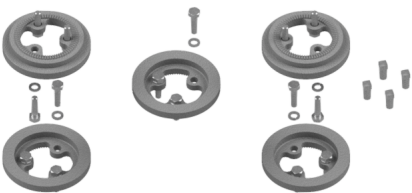
AB-0383-SS **Hardware Kit, CGB Arm,
1/4"-20NC**



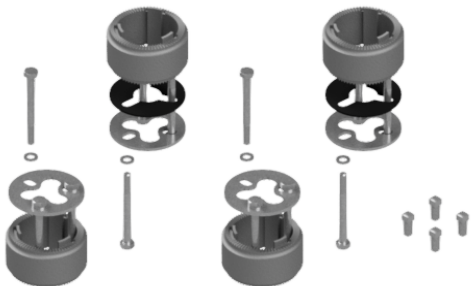
AB-0261-SS **Hardware Kit, OPS 1-Way,
1/4"-20NC, 3M Adapter Ring**



AB-0322-SS **Hardware Kit, 5-Section Cluster,
1/4"-20NC**



AB-0304-SS **Hardware Kit, OPS 5-Section Cluster,
1/4"-20NC, 3M Adapter Ring**

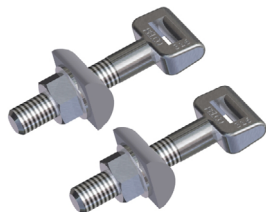


AB-0299-SS **Hardware Kit, 2-Way ICC Ped Signal,
1/4"-20NC, Ped Head Adapter**

Note: 1. All hardware kits are supplied standard with stainless slotted washers and fasteners.

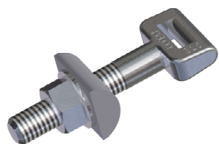


Astro-Brac Hardware Kits



AB-0204-SS

**Clamp Screw Kit, 7/16"-14,
Set of 2
Stainless**



AB-0303-SS

**Clamp Screw Kit, 7/16"-14,
Set of 1
Stainless**



AB-0256-SS

**V-Bolt Kit, 5/16"-18,
Stainless**



AB-1000-PNC

**Helping Hand Assembly
For use with
Galaxy & Stellar Clamp Kits**

Note: 1. All hardware kits are supplied standard with stainless fasteners.

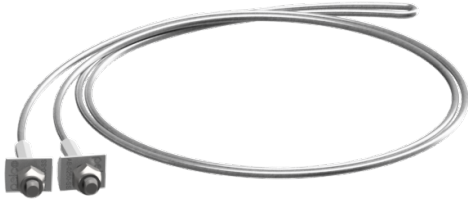


Astro-Brac Hardware Kits

Astro-Brac

pelco
PELCO PRODUCTS, INC.

Cable Assy, Astro-Brac, Stainless



AB-0512 - - SS
Length
See
Table

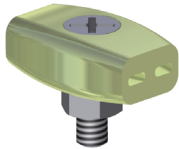
Cable Length:	62"	84"	96"	120"	144"	220"	280"
Maximum Pole Dia:	7.0"	10.5"	12.4"	16.2"	20.1"	32.2"	35.0"

Cable Assy, Mini-Brac, Stainless



AB-0513 - - SS
Length
See
Table

Cable Length:	45"	62"	84"
Maximum Pole Dia:	11.1"	16.6"	22.0"



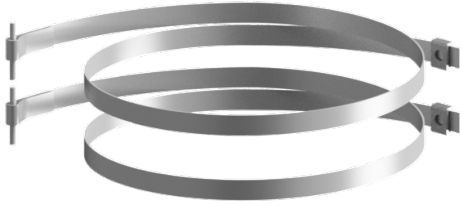
AB-0506-ZN2 **Ty-Back Restraining Clamp**
For use with Cable
Stellar, Atlas, & Galaxy Clamp Kits

Note: 1. All hardware kits are supplied standard with stainless fasteners.



Astro-Brac Hardware Kits

Band Assy, Astro-Brac Set of 2, Stainless w/ Clamps, Set Screws, & Groove Pins



AB-0509 - Length - SS
See Table

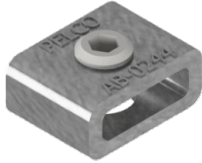
Band Length:	29"	42"	56"	72"	114"
Maximum Pole Dia:	7.3"	11.5"	15.9"	21.0"	34.4"

Band Assy, Mini-Brac Set of 1, Stainless w/ Clamp, Set Screw, & Groove Pin



AB-0510 - Length - SS
See Table

Band Length:	29"	42"	56"	72"
Maximum Pole Dia:	7.3"	11.5"	15.9"	21.0"



AB-0514-SS **Band Clamp w/ Set Screw, Stainless**

Note: 1. All hardware kits are supplied standard with stainless fasteners.

