

Pelco Products, Inc. meets the needs of the traffic industry around the world by providing top quality products. Pelco's innovative designs lead the way with products that withstand the dynamic effects of nature, while adding value to any project. Utilizing the latest in technology and streamlined manufacturing, Pelco offers a complete line of traffic products and accessories. As an ISO 9001 certified company, Pelco is dedicated to meeting the needs of our customers while adhering to regulatory requirements based on quality management principles.

Astro-Brac

Introduced in 1968, the Astro-Brac family of signal, sign, and camera mounts has proven to be the most versatile mounting system ever designed. With continual improvement of the Astro-Brac product line, Pelco can provide a solution for virtually any mounting requirement. Available in various style clamp kits with band, cable, or tenon mount, the Astro-Brac can mount to any shape of mast arm or pole.

Signal Mountings

Post Top, Side-of-Pole, Span Wire, or Mast Arm mounts in aluminum, iron, or bronze can provide the solution to any traffic mounting application while meeting municipalities standard specifications.

IntelliCross, Push Buttons & Stations

Pelco's IntelliCross APS turns an intersection into a fully actuated pedestrian intersection. Modular Pedestrian Stations offer a versatile flexible option for various sign sizes. Pelco's durable Push Buttons are available with the Passport Piezo or a mechanical switch, which meet the American with Disabilities Act. Pelco's Pedestrian Signs are manufactured with a UV laminate overlay for a superior extended life sign.

Backplates & GPL's

Pelco offers both AeroFlex™ PVC flexible and ABS vacuum formed backplates, with and without reflective borders, to fit a variety signal head configurations. The Pelco GPL, which offers a less expensive alternative to a standard OPS signal head, is an easy to install signal louvering system, designed for both lane control and sight distance applications.

Signal Poles & Bases

Pelco's cast aluminum Square Pedestal Base is FHWA certified which meets or exceeds AASHTO break-away requirements. Pelco also offers round, tapered and fluted poles in aluminum, steel and fiberglass.

Mounting Components

Pelco maintains the industries most extensive line of individual hardware and replacement items.

Lighting Solutions & Signage

Pelco's VersaPole™, with a track mounting system, allows luminaires and accessories to be easily installed and adjusted to any position. A wide variety of poles, arms, bases, and anchors for mounting luminaires and signage are available.

Flasher Cabinets, Camera & Sensor Mounts, Mast Arms & Poles, Disconnect Hangers, Decorative Bases

These and many other products are illustrated in our standard catalog. Visit www.pelcoinc.com to view our catalog online or request a paper copy to be mailed to your business address.

Special Applications

Pelco Products, Inc. has always strived to provide the industries best source for products that fill special and unique mounting applications. Our design and engineering capabilities have resulted in hundreds of assemblies that, over the years, have solved mounting problems for customers all over the world. If you do not find the product you need in our standard catalog, contact Pelco Products, Inc. with your specific needs.



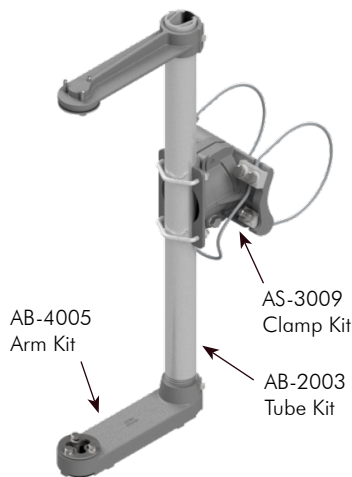


- **Product Index**
- **Part Numbering System**
- **Coatings**
- **Conversion Chart**
- **Terms and Conditions**
- **Shipping Notice**
- **Warranty**
- **Material Certification**
- **Product Sections T1 - T16**

Astro-Brac Signal Mountings	T1
Bracket Assy's, Clamp Kits, Arm Kits, Tubes, Hardware Kits	
Free-Swinging Signal Mountings.....	T2
1-Way, 2-Way, Clusters, Disconnect Hangers, Tethers, Hardware Kits	
Rigid Side-of-Pole Signal Moutnings	T3
1-Way, 2-Way, Tandem, Terminal Compartments	
Rigid Post Top Signal Mountings.....	T4
Slip Fitters, 1-Way, 2-Way, Terminal Compartments	
Rigid Tenon Signal Mountings	T5
Plumbizers, Mast Arm Hangers	
Sign Mountings	T6
Astro Sign-Brac, Mast Arm Mounts, Span Wire Sign	
Camera Mountings.....	T7
Astro-Brac, Mast Arm, Side-of-Pole, Span Wire	
Pedestrian Push Buttons	T8
IntelliCross™, Piezo, Mechanical, Stations, Pedestrian Signs	
Cabinets.....	T9
Flasher Controllers, Cabinets, Mounting Assy's, Locks	
Backplates.....	T10
AeroFlex, Vacuum Formed, Louvered, Split, Reflective	
Poles & Bases	T11
Pedestal Bases, Plastic Doors, Poles, Caps, Anchor Bolts	
Mast Arms & Poles	T12
Ornamental Bases, Pole & Arm Clamps, ITC Assy's, Anchors	
Traffic Accessories	T13
GPL's, Visors, Confirmation Lights, Copper Safe®	
Components.....	T14
Pipe Fittings, Span Wire, Balance Adjusters, Hubs, Banding	
Lighting & Poles	T15
VersaPole™, Luminaires, Lighting Arms, Poles, Bases, Banner Bracs	
Decorative Signage	T16
Regulatory Signs, Street Name Signs, Frames, Mounts, Sign Posts	

Following is a typical example of how to construct a unique part number for ordering. Options such as signal section, cable length, paint color, etc., should be indicated by filling in the blank boxes with specific information as shown below. All part numbers should consist of the base part number and at least a finish or coating suffix.

Example:



Stellar 1-Way Assy, Stainless Cable Mount

AS-0125 - 3 - 62 - P33

Signal Section: 1=1 Sec, 2=2 Sec, 3=3 Sec, 4=4 Sec, 5=5 Sec

Cable Length: See Note

Coating: PNC=Process No Color, P__=Paint

Cable Length:	62"	84"	96"	120"	144"	220"	280"
Maximum Pole Dia:	7.0"	10.5"	12.4"	16.2"	20.1"	32.2"	35.0"
Pole Dia w/ Ty-back:	4.5"	7.6"	9.6"	13.4"	17.2"	29.3"	35.0"



Part Number
AS-0125-3-62-P33

Signal Section —
Cable Length —
Coating —

Astro-Brac Assembly, Stellar Mount, 1-Way for 3-Section Signal w/ 62" Stainless Cable, Powder Coat Gloss Black

- Pelco's standard products with typical options are shown in this catalog. Special options are often available upon request.
- State Specials and Customer Specific Specials are not included in this catalog.
- All information is assumed to be correct at the time of printing. For the most up-to-date information, please check Pelco's online catalog at www.pelcoinc.com

CODE	COATING
PNC	Process No Color
BRS	Brass
CRM	Chrome
GLV	Galvanized
ZN1	Zinc Bright
ZN2	Zinc Yellow
P_ _	Paint (<i>add color #</i>)

POWDER COAT STANDARD COLORS	
P29	Federal Yellow
P30	Automatic Green (dark)
P32	Clear Coat
P33	Gloss Black
P34	Flat Black
P35	Iron Gray
P36	New York State Green (forest)
P39	Bronze
P40	Silver
P45	Super Wet White
P59	Textured Black
P63	Mocha Brown
P71	Dark Green
P75	Fir Green
P76	Forest Green

Note:

Pelco can match your custom colors.

Please provide the following and contact Pelco for pricing.

- For custom powder: RAL number or paint chip.
- For wet paint: Federal Standard 595 paint code or paint chip.

Special setup and paint charge will apply.



CABLE

Stellar, Atlas, & Galaxy Astro-Brac		
Cable Length	Max Pole Diameter	Pole Dia w/ Ty-back
62"	7.0"	4.5"
84"	10.5"	7.6"
96"	12.4"	9.6"
120"	16.2"	13.4"
144"	20.1"	17.2"
220"	32.2"	29.3"
280"	35.0"	35.0"

Triton & Mini-Brac Astro-Brac	
Cable Length	Max Pole Diameter
45"	11.1"
62"	16.6"
84"	22.0"

BAND

Stellar & Atlas Astro-Brac	
Band Length	Max Pole Diameter
29"	7.3"
42"	11.5"
56"	15.9"
72"	21.0"
114"	34.4"

Triton & Mini-Brac Astro-Brac	
Band Length	Max Pole Diameter
29"	7.3"
42"	11.5"
56"	15.9"
72"	21.0"

Note:

Circumference to Diameter Conversion

Circumference ÷ pi = Diameter

Example: (12" ÷ 3.14) = 3.82"

TUBE LENGTH Standard & Tri-Bolt Signals	
23"	1-section 12"
37"	2-section 12" & 5-section cluster
46"	3-section 12"
58"	4-section 12"
74"	5-section 12"

TUBE LENGTH 1-1/2" NPS OPS Signals	
50"	3-section 12"
66"	4-section 12"
82"	5-section 12"

PAYMENT TERMS

Net 30 Days. A 1½% per month (18% APR Service Charge) will be assessed on invoices whose payment has not been received within 45 days.

CREDIT CARD TERMS

We accept American Express, Mastercard, Visa, and Discover. A service fee of 3% will be added to all invoices. Credit Card will be charged prior to shipment.

CREDIT HOLD

Accounts over 90 Days will be placed on credit hold and remain so until brought current, including Service Charges. Orders on credit hold will be pulled from production and will only be rescheduled for shipment after release from credit hold.

MINIMUM BILLING

A \$20.00 Minimum Service Charge will be assessed to each order for \$50.00 or less.

F.O.B. POINT

Edmond, Oklahoma unless otherwise quoted.

PRICING

As stated in Price Schedule, *prices are subject to change without notice.*

QUOTATIONS

Pricing on quotations is firm for 30 days from date of quotation unless otherwise indicated. Please reference quotation when ordering.

CANCELLATIONS

Orders cancelled for stock items are subject to a restocking fee.

Orders cancelled for painted, custom, or non-stock items will be assessed at the time of the request.

CUSTOMER PICK UP

Customer pick up requests will be accommodated. A 10% service charge will apply if not picked up within 30 days of notification of completion of order.

SHIPMENT & DELIVERY

Pelco is very diligent in selecting the most competent and economical carrier. However, upon written request Pelco will use a carrier of your specific choice. See Shipping Notice, in the Reference Section page viii, for shipment specifics and freight claims.

RETURNED GOODS

In order to expedite handling, written authorization must accompany all returned goods. Upon request, a Returned Merchandise Authorization (RMA) will be issued and must be used. Use this RMA as a packing list when returning a shipment. A restocking fee plus freight charges shall be assessed against the return of goods unless return of goods was due to an error of Pelco.

REQUESTS FOR CERTIFICATIONS

Requests for certs must be made at the time your order is placed. Please reference certification type and product. Representative material test reports are available on request for most Pelco products. If your order contains materials that require lot or heat treat number traceability, or if the materials must be of domestic origin, those requirements must be clearly stated at the time your order is placed.



Shipping Notice included with each shipment:

NOTICE

SHIPMENTS MADE WITH FACTORY AS F.O.B. POINT

-CARRIER HAS ACCEPTED SHIPMENT IN GOOD CONDITION-
LOST OR DAMAGED GOODS ARE THE CARRIER'S RESPONSIBILITY in all shipments of this type.

PELCO'S Responsibility For This Shipment Has Now Ceased.

CHECK YOUR SHIPMENT CAREFULLY WHEN DELIVERED to see that it is in good order and received complete. When packages check short or are in bad condition, have the Carrier's agent make notation of this fact in detail on the freight bill or express receipt and then require that he sign it.

LOST OR DAMAGED GOODS ARE THE CARRIER'S RESPONSIBILITY in all LTL (less than truckload) shipments. In TL (truckload) shipments, the Carrier is responsible for damage to exposed surfaces of the goods (top and ends) caused by collision with other vehicles or objects when the Carrier is negligent, and by loading other freight on or against Pelco goods. When the trailer itself shows evidence of fresh damage, call at once for inspection of the contents just as though it were an LTL shipment.

CONCEALED LOSS OR DAMAGE DISCOVERED AFTER DELIVERY of shipment must be reported to the delivering Carrier upon discovery, and in any event within 15 days after receipt. Hold goods, containers, and packing materials in exact condition as found for inspection by the Carrier. An inspector for the Carrier should call within 48 hours. If nothing is heard in that time, notify them by registered mail and get a receipt. The Carrier will issue an inspection report and give you a copy which must be used to support your claim.

FAILURE TO COMPLY WITH ANY OF THE FOREGOING REGULATIONS IS REGARDED AS INDICATING COMPLETE DELIVERY OF FREIGHT IN GOOD CONDITION.

Make Your Claim Promptly
Carrier Will Not Consider a Claim Unless Presented Within 9 Months After Receipt of Shipment.

IMPORTANT!

DO NOT DEDUCT THE AMOUNT OF LOSS OR DAMAGE from Pelco invoice while awaiting adjustment of a claim, as we can not guarantee safe delivery for actions beyond our control.

Please do not return goods to Pelco or instruct Carriers to return goods without first securing written authorization and shipping instructions.

SHIPMENTS MADE WITH DESTINATION AS F.O.B. POINT

-CARRIER HAS ACCEPTED SHIPMENT IN GOOD CONDITION-

CHECK YOUR SHIPMENT CAREFULLY WHEN DELIVERED to see that it is in good order and received complete.

When packages check short or are in damaged condition, have the carriers agent make notation of this fact on the freight bill or express receipt, and then require that he sign it.

Check your shipment immediately to make sure the contents agree with the Pelco packing list enclosed and to determine if any damage has occurred during transit.

Any shortages and or concealed damages MUST be reported to Pelco within 10 DAYS.

FAILURE TO COMPLY WITH THE FOREGOING IS REGARDED AS AN INDICATION THAT YOUR SHIPMENT HAS ARRIVED IN SATISFACTORY CONDITION AND THAT IT IS COMPLETE AS SHOWN ON OUR PACKING LIST.

Please do not return damaged goods to Pelco without first securing authorization and shipping instructions.

Pelco will make every effort possible to effect prompt correction of any short or damaged goods when claims are made within these guidelines.



320 W. 18th St.
Edmond, OK 73013
(405)340-3434 FAX:(405)340-3435



WARRANTY

General: All statements, technical information and recommendations contained in Pelco Product Brochures and Bulletins are based on tests Pelco believes to be reliable. However, the accuracy or completeness thereof is not guaranteed and the following is made in lieu of all warranties, expressed or implied:

Limited Warranty: Pelco's only obligations shall be to replace such quantity of the product proven to be defective.

Repair or replacement of any product will be made at Pelco's facilities. The extent of repair or replacement is at Pelco's discretion. Transportation to and from Pelco's facilities is the responsibility of the buyer.

Pelco shall not be liable for injury, loss or damage direct or consequential arising out of the use of, or the inability to use the product. Before using, user shall determine the suitability of the product for his intended use, and assumes all risk and liability whatsoever in connection therewith. No statement or recommendation not contained herein shall have any effect unless in an agreement signed by the officers of Pelco Products Inc.

Warranty Period: Unless otherwise noted, standard product warranty is 12 months from date of shipment.

Contact Pelco for complete warranty details and exclusions.

All requests for material certifications must be submitted at the time your purchase order is placed. A charge of 5% will be applied to all sales of items that require a certification, with a minimum fee of \$75 and maximum fee of \$500. Please specify type of certification required.

Material Certification Types & Definitions:

Type 1- Statement of Conformance

- A Type 1 cert is a basic document that provides a statement of conformance to general specifications, Pelco specifications, and/or customer specifications listed on the PO.
- A Type 1 certs also state that the certified material was manufactured by production processes which are monitored and/or inspected for conformance to specific requirements.

Type 2 - Mill Test Report (Typical)

- A Type 2 cert provides a representative mill test report for each applicable raw material in an assembly.
- A type 2 does not distinguish which specific batch, or shipment, that the raw material was pulled from, rather it provides a typical mill test report (MTR) for each certified raw material in the assembly.

Type 3 - Mill Test Report (Actual)

- A Type 3 cert includes a mill test report (MTR) for each batch, or shipment, of raw material that goes into making an assembly.
- There may be multiple MTRs for each type of raw material used in the assembly.
- Each certified component can be traced back to the lot or heat number of the raw material used to manufacture the component.

Type 4 - Lab Test Report (Typical)

- A Type 4 cert provides a representative independent laboratory test report for each applicable raw material in an assembly.
- A Type 4 does not necessarily represent the specific batch, or shipment, that the raw material was pulled from, rather it provides a typical lab test report for each certified raw material in the assembly.
- Special request only. Advance notice required.

Type 5 - Lab Test Report (Actual)

- A Type 5 cert provides an actual independent laboratory test report for each applicable raw material in an assembly.
- Test samples originate from the specific batches, or shipments, of raw material used to make the assembly.
- Special request only. Advance notice required.

Buy America/Buy America Build America (BABA) – Statement of Conformance

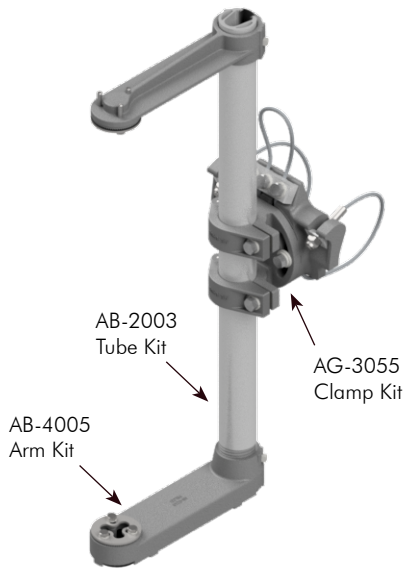
- A Buy America/BABA cert provides a statement of material conformance to the Buy America provisions of the Surface Transportation Assistance Act (STAA)/Infrastructure Investment and Jobs Act (The Act).
- Applicable if federal funds are being used in a construction project.

Buy America– Statement of Conformance

- A Buy American cert provides a statement of material conformance to the Buy American provisions of the American Recovery and Reinvestment Act (ARRA).
- Applicable in the construction, alteration, maintenance, or repair of a public building or work and authorized by a Federal Procurement Number.

1-Way Assemblies

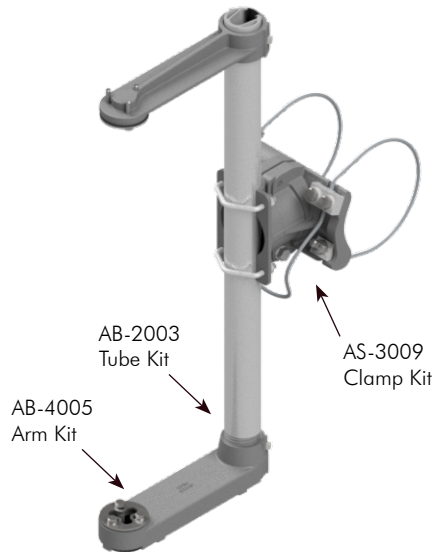
Designed to accommodate all traffic signals, with the exception of optically programmed (see T1-20 through 24). The Galaxy and Stellar series feature all-axis adjustability and are designed to facilitate the mounting of any size signal to any shape mast arm or pole. Available with stainless cable or band, and tenon mount. The hinged clamping mechanism on the Galaxy provides for an easy convenient installation.



Galaxy 1-Way Assy, Stainless Cable Mount

AG-0125	-	<input type="text"/>	-	<input type="text"/>	-	<input type="text"/>
		Signal Section		Cable Length		Coating
		1=23" Tube		See Table		PNC=Process No Color
		2=37" Tube				P__=Paint
		3=46" Tube				
		4=58" Tube				
		5=74" Tube				

Cable Length:	62"	84"	96"	120"	144"	220"	280"
Maximum Pole Dia:	7.0"	10.5"	12.4"	16.2"	20.1"	32.2"	35.0"
Pole Dia w/ Ty-back:	4.5"	7.6"	9.6"	13.4"	17.2"	29.3"	35.0"



Stellar 1-Way Assy, Stainless Cable Mount

AS-0125	-	<input type="text"/>	-	<input type="text"/>	-	<input type="text"/>
		Signal Section		Cable Length		Coating
		1=23" Tube		See Table		PNC=Process No Color
		2=37" Tube				P__=Paint
		3=46" Tube				
		4=58" Tube				
		5=74" Tube				

Cable Length:	62"	84"	96"	120"	144"	220"	280"
Maximum Pole Dia:	7.0"	10.5"	12.4"	16.2"	20.1"	32.2"	35.0"
Pole Dia w/ Ty-back:	4.5"	7.6"	9.6"	13.4"	17.2"	29.3"	35.0"



- Note: 1. All assemblies are supplied standard with stainless steel cable, clamp screw, and fasteners.
 2. See Reference Section page vi for clamp kit pole diameter and tube length information.
 3. See Reference Section page v for available paint colors.



1-Way Assemblies

Designed to accommodate all traffic signals, with the exception of optically programmed (see T1-20 through 24). The Galaxy and Stellar series feature all-axis adjustability and are designed to facilitate the mounting of any size signal to any shape mast arm or pole. Available with stainless cable or band, and tenon mount. The hinged clamping mechanism on the Galaxy provides for an easy convenient installation.



Stellar 1-Way Assy, Stainless Band Mount



AS-0116 - - -

Signal Section: 1=23" Tube, 2=37" Tube, 3=46" Tube, 4=58" Tube, 5=74" Tube

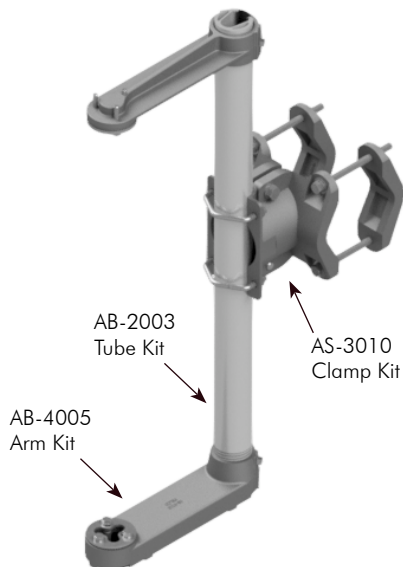
Band Length: See Table

Coating: PNC=Process No Color, P__=Paint

Band Length:	29"	42"	56"	72"	114"
Maximum Pole Dia:	7.3"	11.5"	15.9"	21.0"	34.4"



Stellar 1-Way Assy, Tenon Mount



AS-0137 - -

Signal Section: 1=23" Tube, 2=37" Tube, 3=46" Tube, 4=58" Tube, 5=74" Tube

Coating: PNC=Process No Color, P__=Paint

Note:
Fits 1.9" to 4.5" diameter.



Note: 1. All assemblies are supplied standard with stainless steel cable, clamp screw, and fasteners.
2. See Reference Section page vi for clamp kit pole diameter and tube length information.
3. See Reference Section page v for available paint colors.

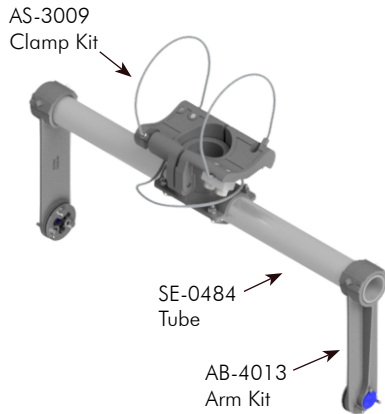


Astro-Brac

pelco
PELCO PRODUCTS, INC.

1-Way Horizontal Assemblies

The Astro-Brac easily adapts to mount signals horizontally from a mast arm. The Stellar all-axis adjustability allows for unique alignment of the signal and is available in stainless cable or band.

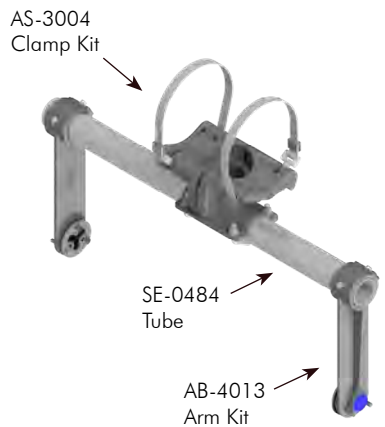


Stellar 1-Way Horizontal Assy, Stainless Cable Mount

AS-0194 - - -

Signal Section	Cable Length	Coating
1=23" Tube	See Table	PNC=Process No Color
2=37" Tube		P_ _=Paint
3=46" Tube		
4=58" Tube		
5=74" Tube		

Cable Length:	62"	84"	96"	120"	144"	220"	280"
Maximum Pole Dia:	7.0"	10.5"	12.4"	16.2"	20.1"	32.2"	35.0"
Pole Dia w/ Ty-back:	4.5"	7.6"	9.6"	13.4"	17.2"	29.3"	35.0"

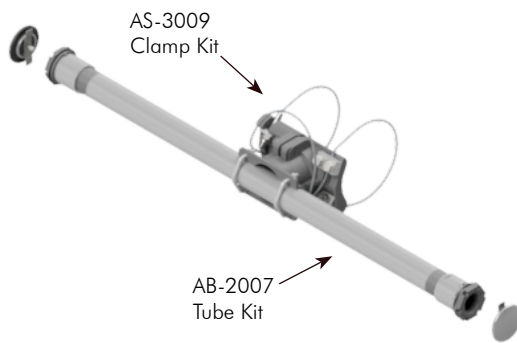


Stellar 1-Way Horizontal Assy, Stainless Band Mount

AS-0124 - - -

Signal Section	Band Length	Coating
1=23" Tube	See Table	PNC=Process No Color
2=37" Tube		P_ _=Paint
3=46" Tube		
4=58" Tube		
5=74" Tube		

Band Length:	29"	42"	56"	72"	114"
Maximum Pole Dia:	7.3"	11.5"	15.9"	21.0"	34.4"



Stellar 1-Way Horizontal Assy w/ Signal Closures, Stainless Cable Mount

AS-0684 - - -

Tube Length	Cable Length	Coating
24=24" Tube	See Table	PNC=Process No Color
36=24" Tube		P_ _=Paint
48=48" Tube		

Cable Length:	62"	84"	96"	120"	144"	220"	280"
Maximum Pole Dia:	7.0"	10.5"	12.4"	16.2"	20.1"	32.2"	35.0"
Pole Dia w/ Ty-back:	4.5"	7.6"	9.6"	13.4"	17.2"	29.3"	35.0"

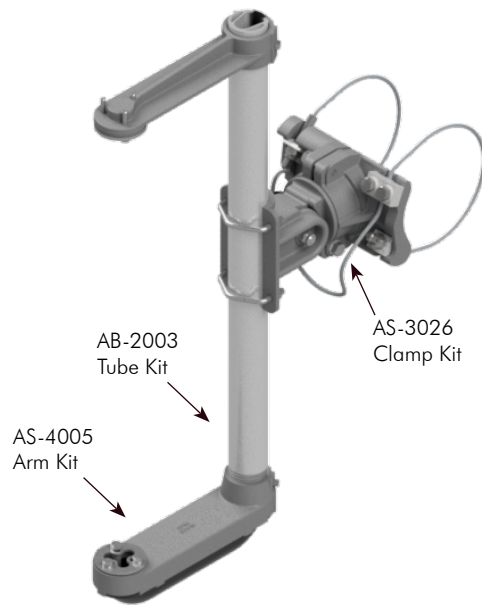


- Note: 1. All assemblies are supplied standard with stainless steel cable, clamp screw, and fasteners.
 2. See Reference Section page vi for clamp kit pole diameter and tube length information.
 3. See Reference Section page v for available paint colors.



1-Way Articulating Assemblies

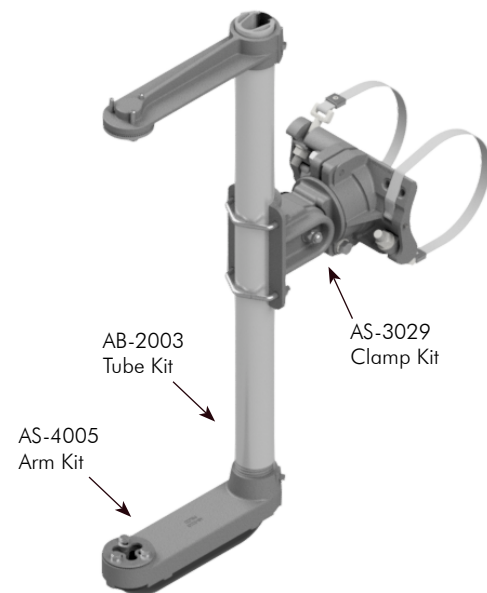
The Atlas series is capable of concealing one 3/4" diameter or two 5/8" diameter conduits. The internal wiring capability and 3 axis of adjustability can handle even the toughest alignment problems, making this system truly universal. Available in stainless cable or band, and tenon mount.



Atlas 1-Way Articulating Assy, Stainless Cable Mount

AS-0150	-	<input type="text"/>	-	<input type="text"/>	-	<input type="text"/>
		Signal Section		Cable Length		Coating
		1=23" Tube		See Table		PNC=Process No Color
		2=37" Tube				P__=Paint
		3=46" Tube				
		4=58" Tube				
		5=74" Tube				

Cable Length:	62"	84"	96"	120"	144"	220"	280"
Maximum Pole Dia:	7.0"	10.5"	12.4"	16.2"	20.1"	32.2"	35.0"
Pole Dia w/ Ty-back:	4.5"	7.6"	9.6"	13.4"	17.2"	29.3"	35.0"



Atlas 1-Way Articulating Assy, Stainless Band Mount

AS-0153	-	<input type="text"/>	-	<input type="text"/>	-	<input type="text"/>
		Signal Section		Band Length		Coating
		1=23" Tube		See Table		PNC=Process No Color
		2=37" Tube				P__=Paint
		3=46" Tube				
		4=58" Tube				
		5=74" Tube				

Band Length:	29"	42"	56"	72"	114"
Maximum Pole Dia:	7.3"	11.5"	15.9"	21.0"	34.4"

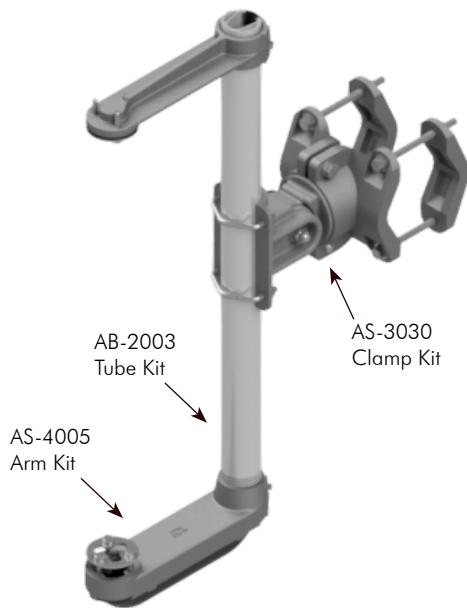


- Note: 1. All assemblies are supplied standard with stainless steel cable, clamp screw, and fasteners.
 2. See Reference Section page vi for clamp kit pole diameter and tube length information.
 3. See Reference Section page v for available paint colors.



1-Way Articulating Assemblies

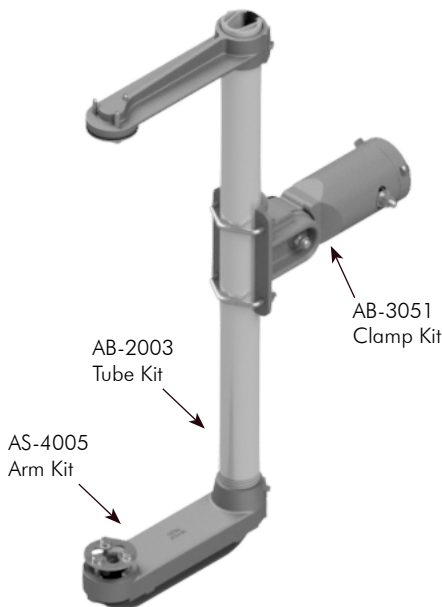
The Atlas series is capable of concealing one 3/4" diameter or two 5/8" diameter conduits. The internal wiring capability and 3 axis of adjustability can handle even the toughest alignment problems, making this system truly universal. Available in stainless cable or band, and tenon mount.



Atlas 1-Way Articulating Assy, Tenon Mount

	Signal Section		Coating	
AS-0154	-	<input type="text"/>	-	<input type="text"/>
		1=23" Tube		PNC=Process No Color
		2=37" Tube		P__=Paint
		3=46" Tube		
		4=58" Tube		
		5=74" Tube		

Note:
Fits 1.9" to 4.5" diameter.



Atlas 1-Way Articulating Assy, Tenon Mount

	Signal Section		Coating	
AS-0149	-	<input type="text"/>	-	<input type="text"/>
		1=23" Tube		PNC=Process No Color
		2=37" Tube		P__=Paint
		3=46" Tube		
		4=58" Tube		
		5=74" Tube		

Note:
Fits 1.9" diameter.



- Note: 1. All assemblies are supplied standard with stainless steel cable, clamp screw, and fasteners.
2. See Reference Section page vi for clamp kit pole diameter and tube length information.
3. See Reference Section page v for available paint colors.

This page is intentionally left blank.

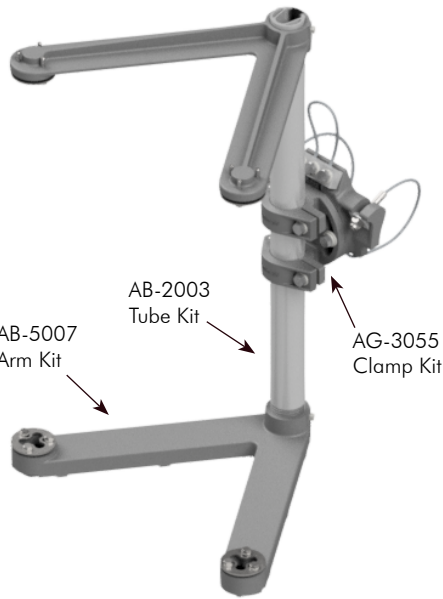
Astro-Brac

pelco
PELCO PRODUCTS, INC.



2-Way Assemblies

Designed to accommodate all traffic signals, with the exception of optically programmed (see T1-20 through 24). The Galaxy and Stellar series feature all-axis adjustability and are designed to facilitate the mounting of 2-way signals to any shape mast arm or pole. Available with stainless cable or band, and tenon mount. The hinged clamping mechanism on the Galaxy provides for an easy convenient installation.



Galaxy 2-Way Assy, Stainless Cable Mount

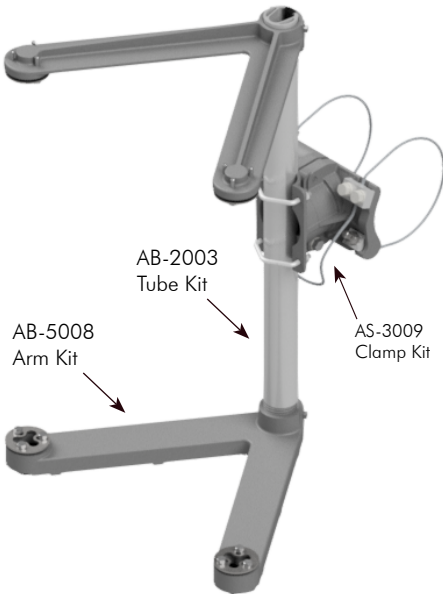
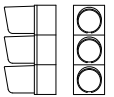
AG-0188 - - -

Signal Section: 1=23" Tube, 2=37" Tube, 3=46" Tube, 4=58" Tube, 5=74" Tube

Cable Length: See Table

Coating: PNC=Process No Color, P__=Paint

Cable Length:	62"	84"	96"	120"	144"	220"	280"
Maximum Pole Dia:	7.0"	10.5"	12.4"	16.2"	20.1"	32.2"	35.0"
Pole Dia w/ Ty-back:	4.5"	7.6"	9.6"	13.4"	17.2"	29.3"	35.0"



Stellar 2-Way Assy, Stainless Cable Mount

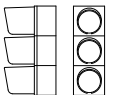
AS-0188 - - -

Signal Section: 1=23" Tube, 2=37" Tube, 3=46" Tube, 4=58" Tube, 5=74" Tube

Cable Length: See Table

Coating: PNC=Process No Color, P__=Paint

Cable Length:	62"	84"	96"	120"	144"	220"	280"
Maximum Pole Dia:	7.0"	10.5"	12.4"	16.2"	20.1"	32.2"	35.0"
Pole Dia w/ Ty-back:	4.5"	7.6"	9.6"	13.4"	17.2"	29.3"	35.0"

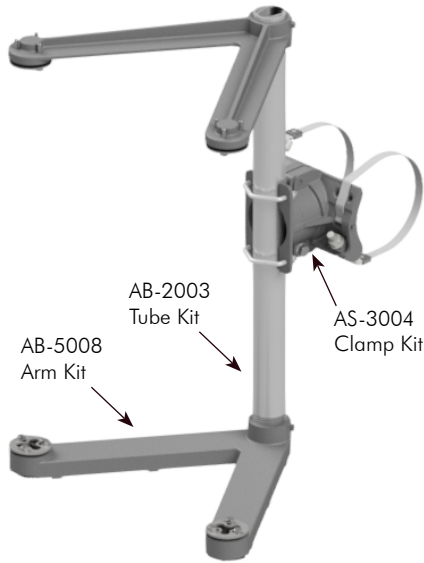


- Note: 1. All assemblies are supplied standard with stainless steel cable, clamp screw, and fasteners.
 2. See Reference Section page vi for clamp kit pole diameter and tube length information.
 3. See Reference Section page v for available paint colors.



2-Way Assemblies

Designed to accommodate all traffic signals, with the exception of optically programmed (see T1-20 through 24). The Galaxy and Stellar series feature all-axis adjustability and are designed to facilitate the mounting of 2-way signals to any shape mast arm or pole. Available with stainless cable or band, and tenon mount. The hinged clamping mechanism on the Galaxy provides for an easy convenient installation.



Stellar 2-Way Assy, Stainless Band Mount

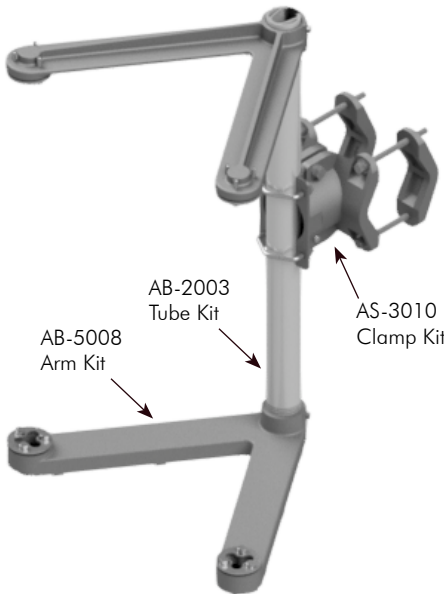
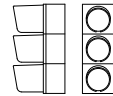
AS-0110 - - -

Signal Section: 1=23" Tube, 2=37" Tube, 3=46" Tube, 4=58" Tube, 5=74" Tube

Band Length: See Table

Coating: PNC=Process No Color, P__=Paint

Band Length:	29"	42"	56"	72"	114"
Maximum Pole Dia:	7.3"	11.5"	15.9"	21.0"	34.4"



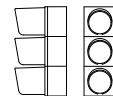
Stellar 2-Way Assy, Tenon Mount

AS-0641 - -

Signal Section: 1=23" Tube, 2=37" Tube, 3=46" Tube, 4=58" Tube, 5=74" Tube

Coating: PNC=Process No Color, P__=Paint

Note:
Fits 1.9" to 4.5" diameter.



Note: 1. All assemblies are supplied standard with stainless steel cable, clamp screw, and fasteners.
2. See Reference Section page vi for clamp kit pole diameter and tube length information.
3. See Reference Section page v for available paint colors.

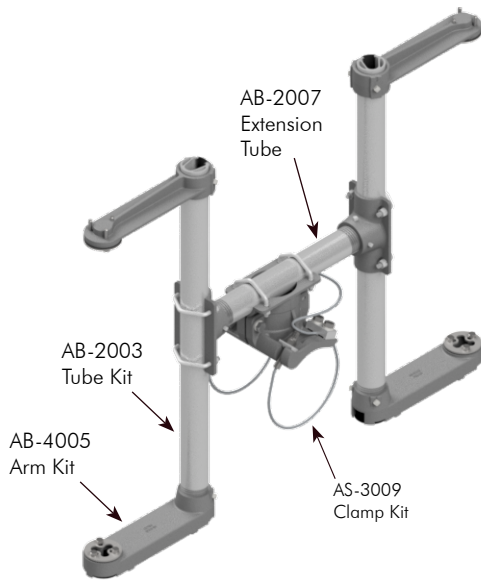


2-Way Assemblies

Designed to accommodate all traffic signals, with the exception of optically programmed. This Stellar assembly features all-axis adjustability and is designed to facilitate the mounting of 2-way signals back-to-back onto any shape mast arm or pole. Available with stainless cable.



Astro-Brac

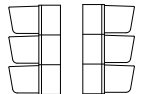


Stellar Adjustable 2-Way Assy w/ Extension Tube, Stainless Cable Mount

AS-0700 - - - -

Signal Section	Extension Tube	Cable Length	Coating
1=23" Tube	12=12" Tube	See Table	PNC=Process No Color
2=37" Tube	14=14" Tube		P__=Paint
3=46" Tube	16=16" Tube		
4=58" Tube			
5=74" Tube			

Cable Length:	62"	84"	96"	120"	144"	220"	280"
Maximum Pole Dia:	7.0"	10.5"	12.4"	16.2"	20.1"	32.2"	35.0"
Pole Dia w/ Ty-back:	4.5"	7.6"	9.6"	13.4"	17.2"	29.3"	35.0"



pelco
PELCO PRODUCTS, INC.

- Note: 1. All assemblies are supplied standard with stainless steel cable, clamp screw, and fasteners.
 2. See Reference Section page vi for clamp kit pole diameter and tube length information.
 3. See Reference Section page v for available paint colors.

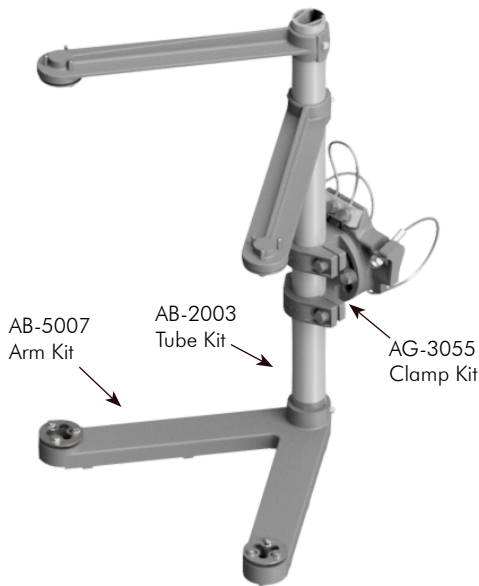


2-Way Variable Assemblies

Designed to accommodate all traffic signals, with the exception of optically programmed. The Galaxy and Stellar 2-Way variable assemblies feature all-axis adjustability and are designed to facilitate the mounting of unbalanced signal combinations onto any shape mast arm or pole. The hinged clamping mechanism on the Galaxy provides for an easy convenient installation.



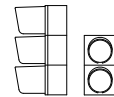
Galaxy 2-Way Variable Assy, Stainless Cable Mount



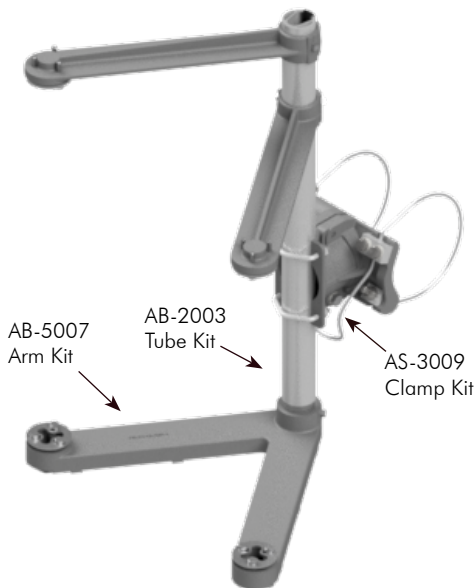
AG-0193 - - -

Signal Section: 3=46" Tube, 4=58" Tube, 5=74" Tube
 Cable Length: See Table
 Coating: PNC=Process No Color, P__=Paint

Cable Length:	62"	84"	96"	120"	144"	220"	280"
Maximum Pole Dia:	7.0"	10.5"	12.4"	16.2"	20.1"	32.2"	35.0"
Pole Dia w/ Ty-back:	4.5"	7.6"	9.6"	13.4"	17.2"	29.3"	35.0"



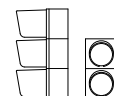
Stellar 2-Way Variable Assy, Stainless Cable Mount



AS-0193 - - -

Signal Section: 3=46" Tube, 4=58" Tube, 5=74" Tube
 Cable Length: See Table
 Coating: PNC=Process No Color, P__=Paint

Cable Length:	62"	84"	96"	120"	144"	220"	280"
Maximum Pole Dia:	7.0"	10.5"	12.4"	16.2"	20.1"	32.2"	35.0"
Pole Dia w/ Ty-back:	4.5"	7.6"	9.6"	13.4"	17.2"	29.3"	35.0"



Note: 1. All assemblies are supplied standard with stainless steel cable, clamp screw, and fasteners.
 2. See Reference Section page vi for clamp kit pole diameter and tube length information.
 3. See Reference Section page v for available paint colors.

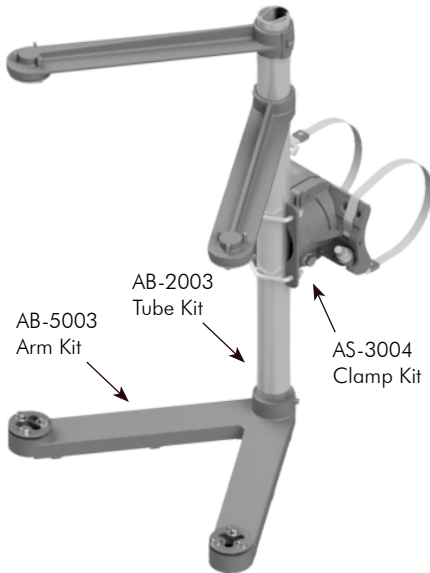


2-Way Variable Assemblies

Designed to accommodate all traffic signals, with the exception of optically programmed. The Galaxy and Stellar 2-Way variable assemblies feature all-axis adjustability and are designed to facilitate the mounting of unbalanced signal combinations onto any shape mast arm or pole. The hinged clamping mechanism on the Galaxy provides for an easy convenient installation.



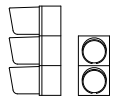
Stellar 2-Way Variable Assy, Stainless Band Mount



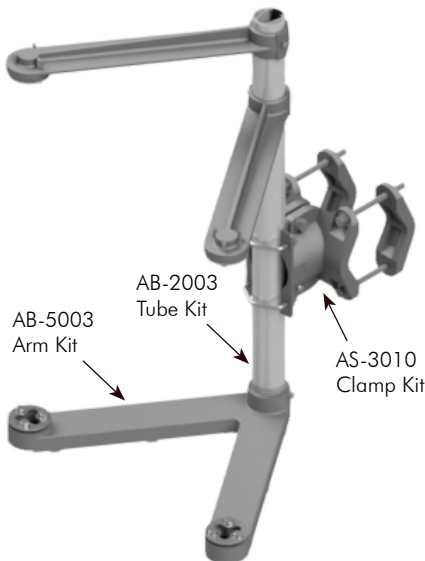
AS-0111 - - -

Signal Section: 3=46" Tube, 4=58" Tube, 5=74" Tube
 Band Length: See Table
 Coating: PNC=Process No Color, P__=Paint

Band Length:	29"	42"	56"	72"	114"
Maximum Pole Dia:	7.3"	11.5"	15.9"	21.0"	34.4"



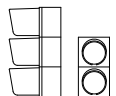
Stellar 2-Way Variable Assy, Tenon Mount



AS-0642 - -

Signal Section: 3=46" Tube, 4=58" Tube, 5=74" Tube
 Coating: PNC=Process No Color, P__=Paint

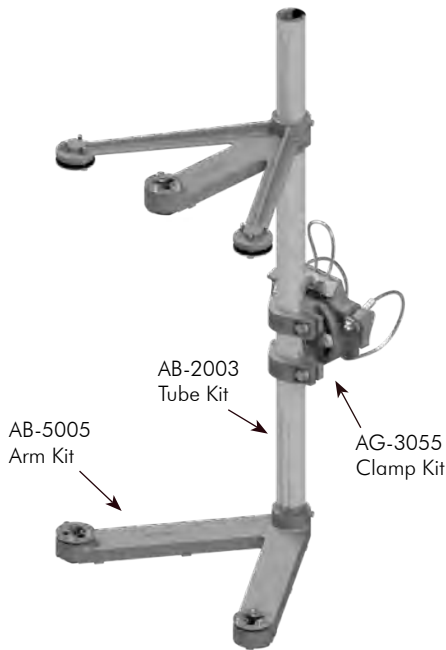
Note:
Fits 1.9" to 4.5" diameter.



Note: 1. All assemblies are supplied standard with stainless steel cable, clamp screw, and fasteners.
 2. See Reference Section page vi for clamp kit pole diameter and tube length information.
 3. See Reference Section page v for available paint colors.

Cluster Assemblies

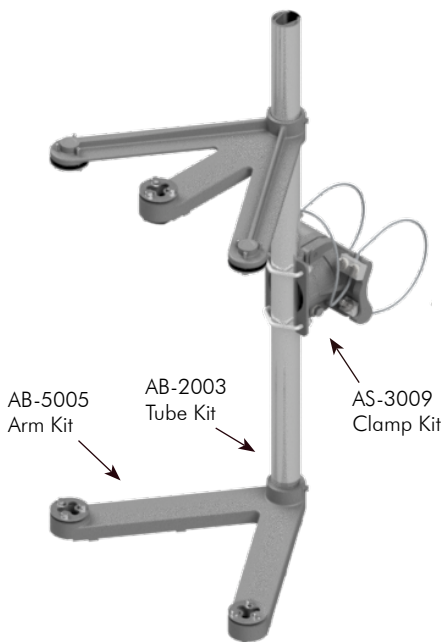
Designed to accommodate all traffic signals, with the exception of optically programmed. The Galaxy and Stellar cluster assemblies feature all-axis adjustability and are designed to facilitate the mounting of 5-section signal heads onto any shape mast arm or pole. Available in stainless cable or band, and tenon mount. The hinged clamping mechanism on the Galaxy provides for an easy convenient installation.



Galaxy 5-Sec Cluster Assy, Stainless Cable Mount

AG-0138 - -
 Cable Length Coating
 See Table PNC=Process No Color
 P__=Paint

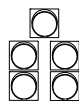
Cable Length:	62"	84"	96"	120"	144"	220"	280"
Maximum Pole Dia:	7.0"	10.5"	12.4"	16.2"	20.1"	32.2"	35.0"
Pole Dia w/ Ty-back:	4.5"	7.6"	9.6"	13.4"	17.2"	29.3"	35.0"



Stellar 5-Sec Cluster Assy, Stainless Cable Mount

AS-0138 - -
 Cable Length Coating
 See Table PNC=Process No Color
 P__=Paint

Cable Length:	62"	84"	96"	120"	144"	220"	280"
Maximum Pole Dia:	7.0"	10.5"	12.4"	16.2"	20.1"	32.2"	35.0"
Pole Dia w/ Ty-back:	4.5"	7.6"	9.6"	13.4"	17.2"	29.3"	35.0"

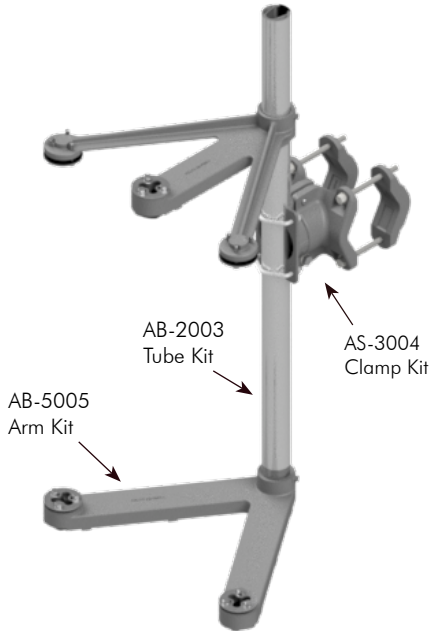


- Note: 1. All assemblies are supplied standard with stainless steel cable, clamp screw, and fasteners.
 2. See Reference Section page vi for clamp kit pole diameter and tube length information.
 3. See Reference Section page v for available paint colors.



Cluster Assemblies

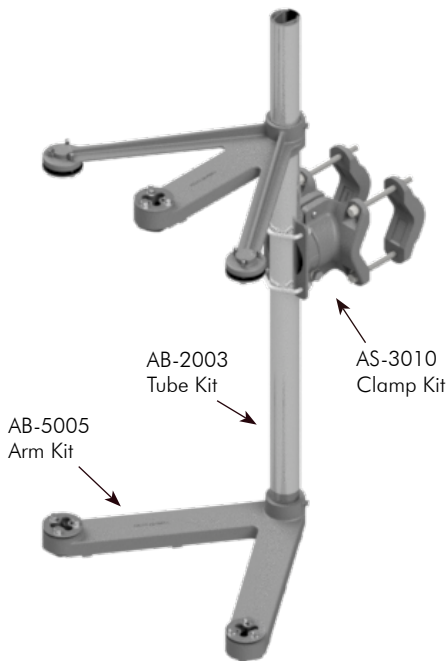
Designed to accommodate all traffic signals, with the exception of optically programmed. The Galaxy and Stellar cluster assemblies feature all-axis adjustability and are designed to facilitate the mounting of 5-section signal heads onto any shape mast arm or pole. Available in stainless cable or band, and tenon mount. The hinged clamping mechanism on the Galaxy provides for an easy convenient installation.



Stellar 5-Sec Cluster Assy, Stainless Band Mount

AS-0109 - -
 Band Length Coating
 See Table PNC=Process No Color
 P__=Paint

Band Length:	29"	42"	56"	72"	114"
Maximum Pole Dia:	7.3"	11.5"	15.9"	21.0"	34.4"



Stellar 5-Sec Cluster Assy, Tenon Mount

AS-0190 -
 Coating
 PNC=Process No Color
 P__=Paint

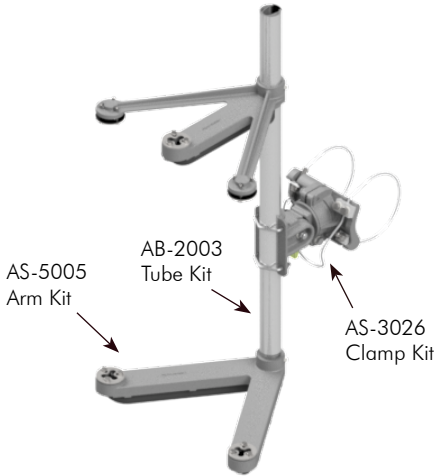
Note:
Fits 1.9" to 4.5" diameter.



Note: 1. All assemblies are supplied standard with stainless steel cable, clamp screw, and fasteners.
 2. See Reference Section page vi for clamp kit pole diameter and tube length information.
 3. See Reference Section page v for available paint colors.

Cluster Assemblies

The Atlas articulating series of Astro-Brac can conceal one 3/4" diameter or two 5/8" diameter conduits. The cluster assemblies are designed to mount 5-section heads onto any shape of mast arm or pole. The internal wiring capability and 3 axis of adjustability can handle even the toughest alignment problems, making this system truly universal. Available in stainless cable or band, and tenon mount.



Atlas 5-Sec Cluster Articulating Assy, Stainless Cable Mount

AS-0162 - -
 Cable Length Coating
 See Table PNC=Process No Color
 P__=Paint

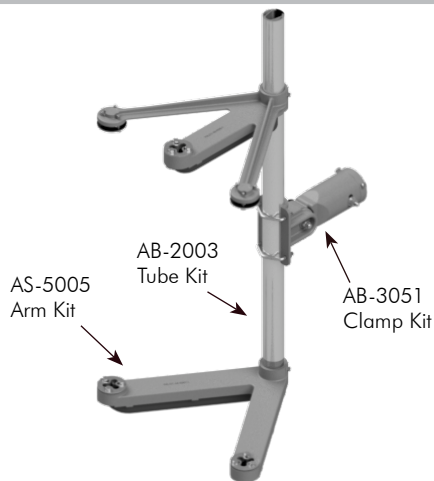
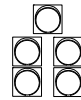
Cable Length:	62"	84"	96"	120"	144"	220"	280"
Maximum Pole Dia:	7.0"	10.5"	12.4"	16.2"	20.1"	32.2"	35.0"
Pole Dia w/ Ty-back:	4.5"	7.6"	9.6"	13.4"	17.2"	29.3"	35.0"



Atlas 5-Sec Cluster Articulating Assy, Stainless Band Mount

AS-0675 - -
 Band Length Coating
 See Table PNC=Process No Color
 P__=Paint

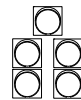
Band Length:	29"	42"	56"	72"	114"
Maximum Pole Dia:	7.3"	11.5"	15.9"	21.0"	34.4"



Atlas 5-Sec Cluster Articulating Assy, Tenon Mount

AS-0187 -
 Coating
 PNC=Process No Color
 P__=Paint

Note:
 Fits 1.9" diameter.

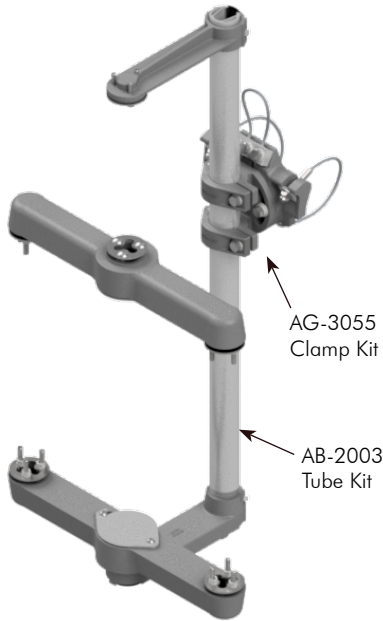


- Note: 1. All assemblies are supplied standard with stainless steel
 2. See Reference Section page vi for clamp kit pole diameter and tube length information.
 3. See Reference Section page v for available paint colors.



Cluster Assemblies

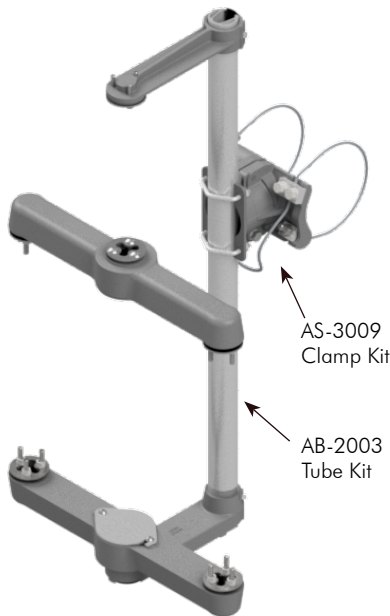
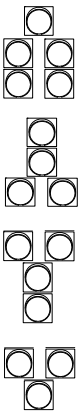
Designed to accommodate all traffic signals, with the exception of the optically programmed. The cluster assemblies with cast uppers are designed to mount 3, 4 or 5-section clusters in various configurations, onto any size of mast arm or pole. Available in stainless cable or band, and tenon mount. The hinged clamping mechanism on the Galaxy provides for an easy convenient installation.



Galaxy Cluster Assy, w/ 17" CTC Cast Uppers Stainless Cable Mount

AG-0168 - -
 Cable Length Coating
 See Table PNC=Process No Color
 P__=Paint

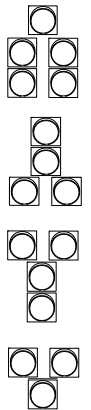
Cable Length:	62"	84"	96"	120"	144"	220"	280"
Maximum Pole Dia:	7.0"	10.5"	12.4"	16.2"	20.1"	32.2"	35.0"
Pole Dia w/ Ty-back:	4.5"	7.6"	9.6"	13.4"	17.2"	29.3"	35.0"



Stellar Cluster Assy, w/ 17" CTC Cast Uppers Stainless Cable Mount

AS-0168 - -
 Cable Length Coating
 See Table PNC=Process No Color
 P__=Paint

Cable Length:	62"	84"	96"	120"	144"	220"	280"
Maximum Pole Dia:	7.0"	10.5"	12.4"	16.2"	20.1"	32.2"	35.0"
Pole Dia w/ Ty-back:	4.5"	7.6"	9.6"	13.4"	17.2"	29.3"	35.0"

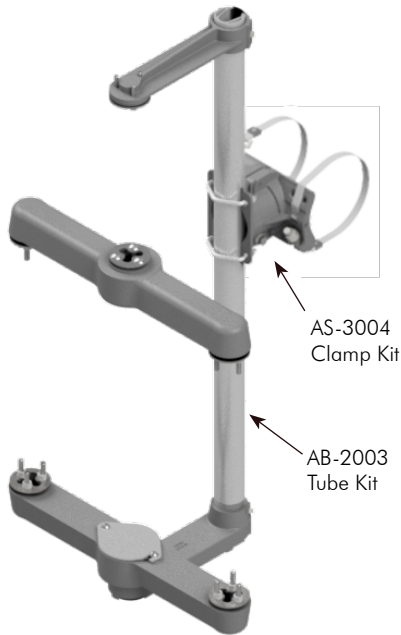


- Note: 1. All assemblies are supplied standard with stainless steel cable, clamp screw, and fasteners.
 2. See Reference Section page vi for clamp kit pole diameter and tube length information.
 3. See Reference Section page v for available paint colors.



Cluster Assemblies

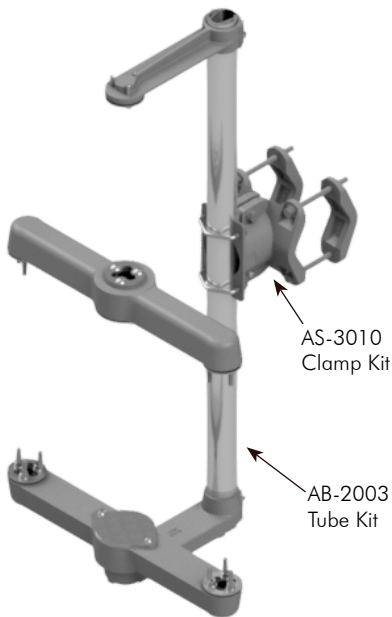
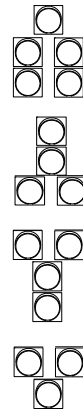
Designed to accommodate all traffic signals, with the exception of the optically programmed. The cluster assemblies with cast uppers are designed to mount 3, 4 or 5-section clusters in various configurations, onto any size of mast arm or pole. Available in stainless cable or band, and tenon mount. The hinged clamping mechanism on the Galaxy provides for an easy convenient installation.



Stellar Cluster Assy, w/ 17" CTC Cast Uppers Stainless Band Mount

AS-0167 - -
 Band Length Coating
 See PNC=Process No Color
 Table P__=Paint

Band Length:	29"	42"	56"	72"	114"
Maximum Pole Dia:	7.3"	11.5"	15.9"	21.0"	34.4"



Stellar Cluster Assy, w/ 17" CTC Cast Uppers Tenon Mount

AS-0679 -
 Coating
 PNC=Process No Color
 P__=Paint

Note:
Fits 1.9" to 4.5" diameter.



- Note: 1. All assemblies are supplied standard with stainless steel cable, clamp screw, and fasteners.
 2. See Reference Section page vi for clamp kit pole diameter and tube length information.
 3. See Reference Section page v for available paint colors.

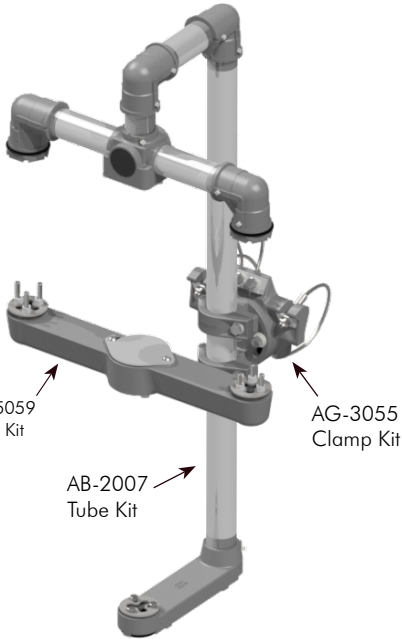


Cluster Assemblies

Designed to accommodate all traffic signals, with the exception of the optically programmed. This Galaxy assembly is designed to mount a Hawk 3-section cluster configuration onto any size of mast arm or pole. The hinged clamping mechanism on the Galaxy provides for an easy convenient installation.



Astro-Brac



Galaxy Cluster 1-Way Hawk Assy, 17" CTC Stainless Cable Mount

AG-0705 - -
 Cable Length Coating
 See Table PNC=Process No Color
 P__=Paint

Cable Length:	62"	84"	96"	120"	144"	220"	280"
Maximum Pole Dia:	7.0"	10.5"	12.4"	16.2"	20.1"	32.2"	35.0"
Pole Dia w/ Ty-back:	4.5"	7.6"	9.6"	13.4"	17.2"	29.3"	35.0"



- Note: 1. All assemblies are supplied standard with stainless steel cable, clamp screw, and fasteners.
 2. See Reference Section page vi for clamp kit pole diameter and tube length information.
 3. See Reference Section page v for available paint colors.

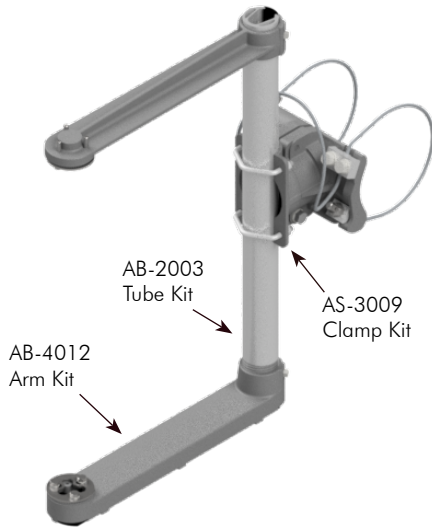


1-Way Pedestrian Assemblies

With the extended arms this bracket assembly is designed to accommodate the pedestrian signal. The Stellar Astro-Brac features all-axis adjustability and is designed to facilitate the mounting of a ped signal to any shape pole. Available in stainless cable or band mount.



Stellar 1-Way ICC Ped Head Assy, Stainless Cable Mount

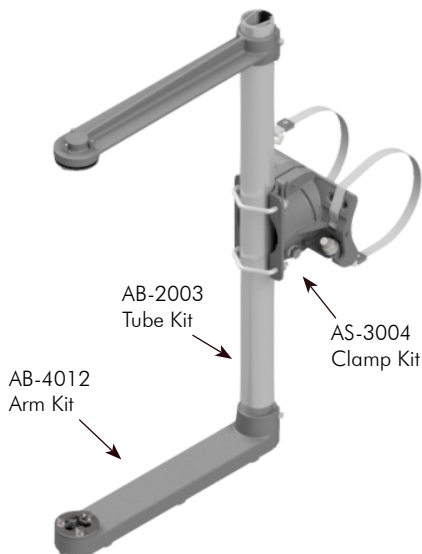


AS-0157 - -
 Cable Length Coating
 See Table PNC=Process No Color
 P_ =Paint

Cable Length:	62"	84"	96"	120"	144"	220"	280"
Maximum Pole Dia:	7.0"	10.5"	12.4"	16.2"	20.1"	32.2"	35.0"
Pole Dia w/ Ty-back:	4.5"	7.6"	9.6"	13.4"	17.2"	29.3"	35.0"



Stellar 1-Way ICC Ped Head Assy, Stainless Band Mount



AS-0133 - -
 Band Length Coating
 See Table PNC=Process No Color
 P_ =Paint

Band Length:	29"	42"	56"	72"	114"
Maximum Pole Dia:	7.3"	11.5"	15.9"	21.0"	34.4"



Note: 1. All assemblies are supplied standard with stainless steel cable, clamp screw, and fasteners.
 2. See Reference Section page vi for clamp kit pole diameter and tube length information.
 3. See Reference Section page v for available paint colors.



Astro-Brac

pelco
PELCO PRODUCTS, INC.

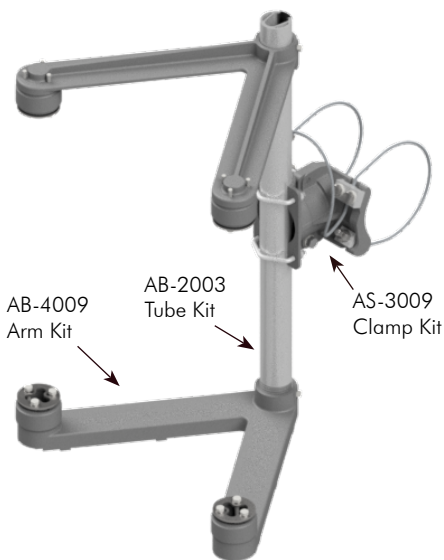
2-Way Pedestrian Assemblies

With the extended arms this bracket assembly is designed to accommodate the pedestrian signal. The Stellar Astro-Brac features all-axis adjustability and is designed to facilitate the mounting of two ped signals to any shape pole. Available in stainless cable or band mount.



Astro-Brac

Stellar 2-Way ICC Ped Heads Assy, Stainless Cable Mount

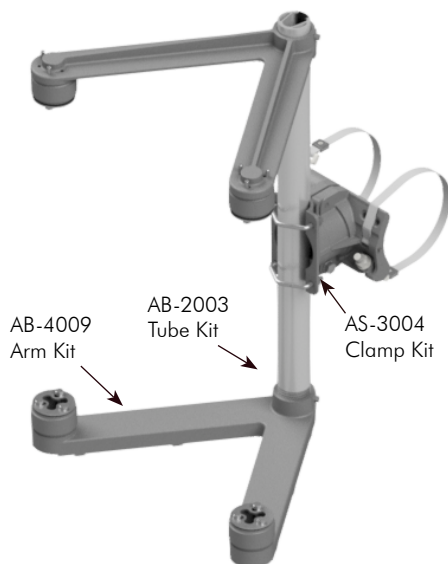


AS-0158 - -
 Cable Length Coating
 See Table PNC=Process No Color
 P__=Paint

Cable Length:	62"	84"	96"	120"	144"	220"	280"
Maximum Pole Dia:	7.0"	10.5"	12.4"	16.2"	20.1"	32.2"	35.0"
Pole Dia w/ Ty-back:	4.5"	7.6"	9.6"	13.4"	17.2"	29.3"	35.0"



Stellar 2-Way ICC Ped Heads Assy, Stainless Band Mount



AS-0131 - -
 Band Length Coating
 See Table PNC=Process No Color
 P__=Paint

Band Length:	29"	42"	56"	72"	114"
Maximum Pole Dia:	7.3"	11.5"	15.9"	21.0"	34.4"



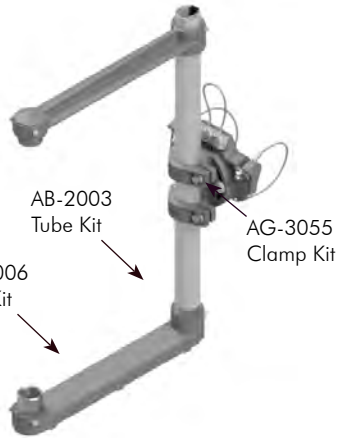
- Note: 1. All assemblies are supplied standard with stainless steel cable, clamp screw, and fasteners.
 2. See Reference Section page vi for clamp kit pole diameter and tube length information.
 3. See Reference Section page v for available paint colors.



pelco
PELCO PRODUCTS, INC.

1-Way OPS Assemblies

Designed to accommodate optically programmed signal heads. The Galaxy and Stellar Astro-Brac series feature all-axis adjustability and are designed to facilitate the mounting of any size OPS signal onto any shape of mast arm or pole. Available in stainless cable or band mount. The hinged clamping mechanism on the Galaxy provides for an easy convenient installation.

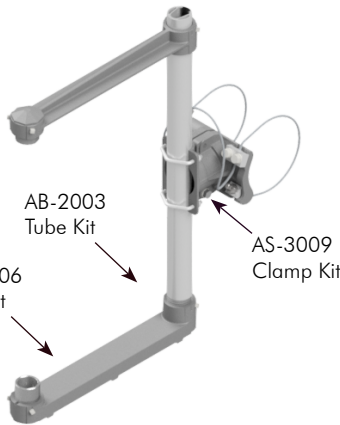


Galaxy 1-Way OPS Signal Assy, Stainless Cable Mount, 1-1/2" NPS

AG-0151 - - -

Signal Section	Cable Length	Coating
3=50" Tube	See Table	PNC=Process No Color
4=66" Tube		P__=Paint
5=82" Tube		

Cable Length:	62"	84"	96"	120"	144"	220"	280"
Maximum Pole Dia:	7.0"	10.5"	12.4"	16.2"	20.1"	32.2"	35.0"
Pole Dia w/ Ty-back:	4.5"	7.6"	9.6"	13.4"	17.2"	29.3"	35.0"

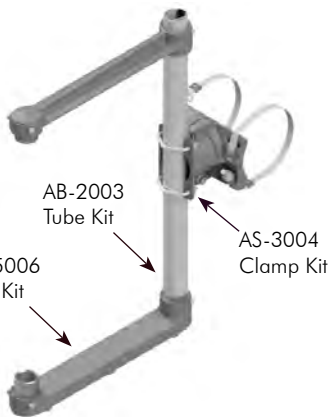


Stellar 1-Way OPS Signal Assy, Stainless Cable Mount, 1-1/2" NPS

AS-0151 - - -

Signal Section	Cable Length	Coating
3=50" Tube	See Table	PNC=Process No Color
4=66" Tube		P__=Paint
5=82" Tube		

Cable Length:	62"	84"	96"	120"	144"	220"	280"
Maximum Pole Dia:	7.0"	10.5"	12.4"	16.2"	20.1"	32.2"	35.0"
Pole Dia w/ Ty-back:	4.5"	7.6"	9.6"	13.4"	17.2"	29.3"	35.0"



Stellar 1-Way OPS Signals Assy, Stainless Band Mount, 1-1/2" NPS

AS-0152 - - -

Signal Section	Band Length	Coating
3=50" Tube	See Table	PNC=Process No Color
4=66" Tube		P__=Paint
5=82" Tube		

Band Length:	29"	42"	56"	72"	114"
Maximum Pole Dia:	7.3"	11.5"	15.9"	21.0"	34.4"



- Note: 1. All assemblies are supplied standard with stainless steel cable, clamp screw, and fasteners.
 2. See Reference Section page vi for clamp kit pole diameter and tube length information.
 3. See Reference Section page v for available paint colors.

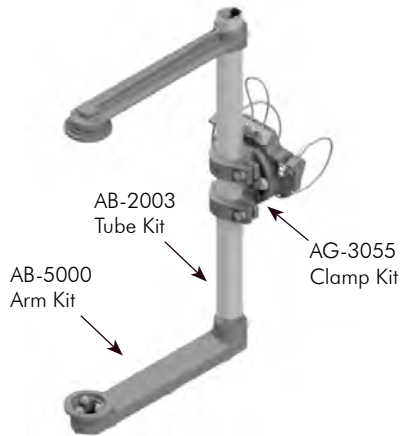


1-Way OPS Assemblies

Designed to accommodate optically programmed signal heads. The Galaxy and Stellar Astro-Brac series feature all-axis adjustability and are designed to facilitate the mounting of any size OPS signal onto any shape of mast arm or pole. Available in stainless cable or band, and tenon mount. The hinged clamping mechanism on the Galaxy provides for an easy convenient installation.



Astro-Brac

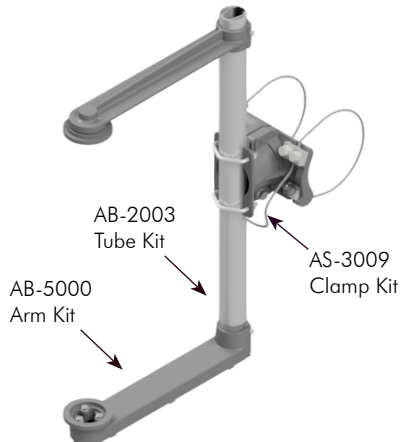


Galaxy 1-Way OPS Signal Assy, Stainless Cable Mount, Tri-Bolt

AG-0633 - - -

Signal Section: 3=50" Tube, 4=66" Tube, 5=82" Tube
 Cable Length: See Table
 Coating: PNC=Process No Color, P__=Paint

Cable Length:	62"	84"	96"	120"	144"	220"	280"
Maximum Pole Dia:	7.0"	10.5"	12.4"	16.2"	20.1"	32.2"	35.0"
Pole Dia w/ Ty-back:	4.5"	7.6"	9.6"	13.4"	17.2"	29.3"	35.0"

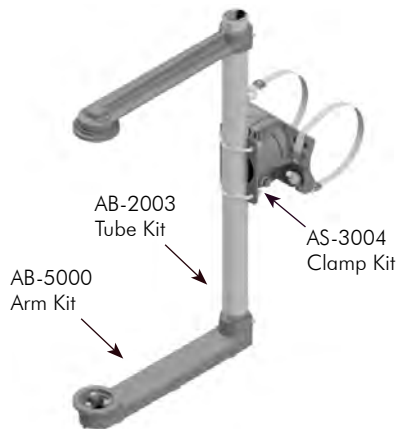


Stellar 1-Way OPS Signal Assy, Stainless Cable Mount, Tri-Bolt

AS-0633 - - -

Signal Section: 3=50" Tube, 4=66" Tube, 5=82" Tube
 Cable Length: See Table
 Coating: PNC=Process No Color, P__=Paint

Cable Length:	62"	84"	96"	120"	144"	220"	280"
Maximum Pole Dia:	7.0"	10.5"	12.4"	16.2"	20.1"	32.2"	35.0"
Pole Dia w/ Ty-back:	4.5"	7.6"	9.6"	13.4"	17.2"	29.3"	35.0"



Stellar 1-Way OPS Signals Assy, Stainless Band Mount, Tri-Bolt

AS-0103 - - -

Signal Section: 3=50" Tube, 4=66" Tube, 5=82" Tube
 Band Length: See Table
 Coating: PNC=Process No Color, P__=Paint

Band Length:	29"	42"	56"	72"	114"
Maximum Pole Dia:	7.3"	11.5"	15.9"	21.0"	34.4"



- Note: 1. All assemblies are supplied standard with stainless steel cable, clamp screw, and fasteners.
 2. See Reference Section page vi for clamp kit pole diameter and tube length information.
 3. See Reference Section page v for available paint colors.

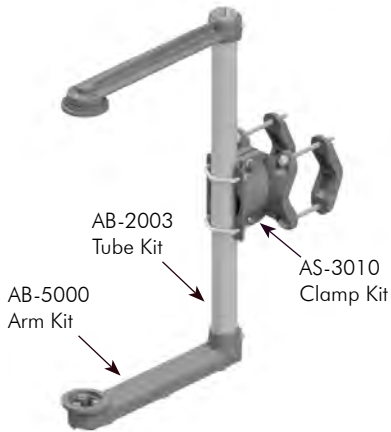


1-Way OPS Assemblies

Designed to accommodate optically programmed signal heads. The Galaxy and Stellar Astro-Brac series feature all-axis adjustability and are designed to facilitate the mounting of any size OPS signal on any shape of mast arm or pole. Available in stainless cable or band, and tenon mount. The hinged clamping mechanism on the Galaxy provides for an easy convenient installation.



Stellar 1-Way OPS Signal Assy, Tenon Mount, Tri-Bolt



	Signal Section		Coating
AS-0143	-	<input type="checkbox"/>	-
		3=3 Sec	PNC=Process No Color
		4=4 Sec	P_=_Paint
		5=5 Sec	

Note:
Fits 1.9" to 4.5" diameter.



Astro-Brac

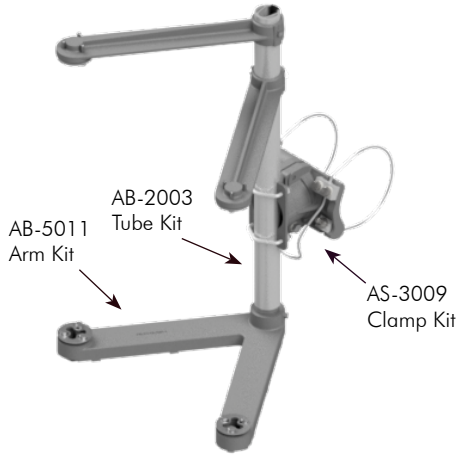
pelco
PELCO PRODUCTS, INC.

- Note: 1. All assemblies are supplied standard with stainless steel cable, clamp screw, and fasteners.
2. See Reference Section page vi for clamp kit pole diameter and tube length information.
3. See Reference Section page v for available paint colors.



Variable OPS Assemblies

Designed to accommodate optically programmed signal heads. The Stellar 2-Way variable OPS assembly features all-axis adjustability and is designed to facilitate the mounting of unbalanced signal combinations onto any shape mast arm or pole.

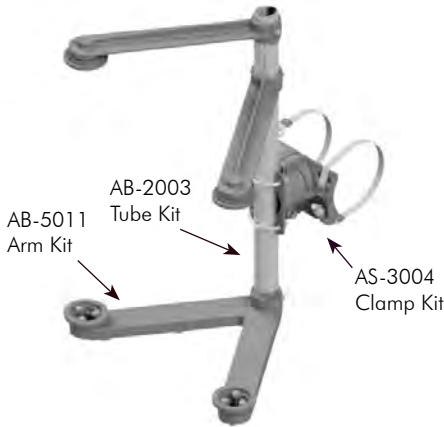
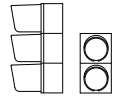


Stellar 2-Way Variable OPS Signal Assy, Stainless Cable Mount, Tri-Bolt

AS-0193 - - -

Signal Section	Cable Length	Coating
3=50" Tube	See Table	PNC=Process No Color
4=66" Tube		P__=Paint
5=82" Tube		

Cable Length:	62"	84"	96"	120"	144"	220"	280"
Maximum Pole Dia:	7.0"	10.5"	12.4"	16.2"	20.1"	32.2"	35.0"
Pole Dia w/ Ty-back:	4.5"	7.6"	9.6"	13.4"	17.2"	29.3"	35.0"

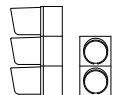


Stellar 2-Way Variable OPS Signal Assy, Stainless Band Mount, Tri-Bolt

AS-0192 - - -

Signal Section	Band Length	Coating
3=50" Tube	See Table	PNC=Process No Color
4=66" Tube		P__=Paint
5=82" Tube		

Band Length:	29"	42"	56"	72"	114"
Maximum Pole Dia:	7.3"	11.5"	15.9"	21.0"	34.4"

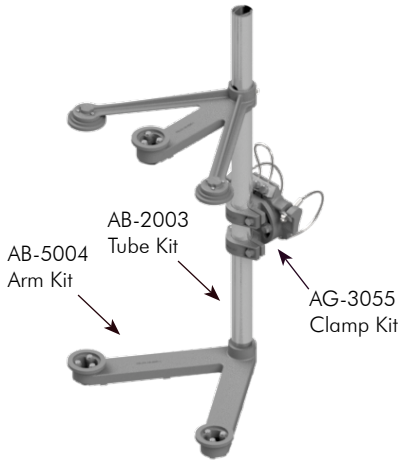


- Note: 1. All assemblies are supplied standard with stainless steel cable, clamp screw, and fasteners.
 2. See Reference Section page vi for clamp kit pole diameter and tube length information.
 3. See Reference Section page v for available paint colors.



Cluster OPS Assemblies

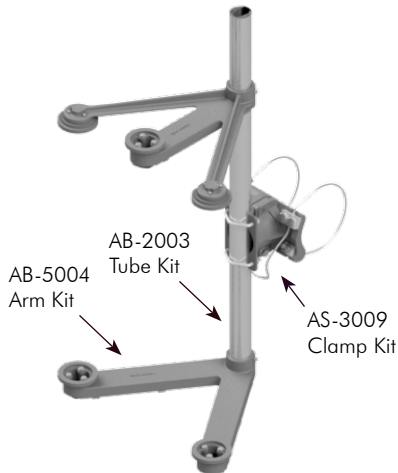
Designed to accommodate optically programmed signal heads. The Galaxy and Stellar Astro-Brac series feature all-axis adjustability and are designed to facilitate the mounting of any size OPS signal onto any shape of mast arm or pole. Available in stainless cable or band mount. The hinged clamping mechanism on the Galaxy provides for an easy convenient installation.



Galaxy 5-Sec Cluster OPS Signal Assy, Stainless Cable Mount, Tri-Bolt

AG-0199 - -
 Cable Length Coating
 See Table PNC=Process No Color
 P__=Paint

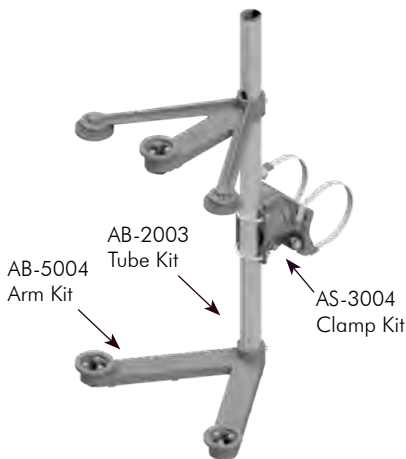
Cable Length:	62"	84"	96"	120"	144"	220"	280"
Maximum Pole Dia:	7.0"	10.5"	12.4"	16.2"	20.1"	32.2"	35.0"
Pole Dia w/ Ty-back:	4.5"	7.6"	9.6"	13.4"	17.2"	29.3"	35.0"



Stellar 5-Sec Cluster OPS Signal Assy, Stainless Cable Mount, Tri-Bolt

AS-0199 - -
 Cable Length Coating
 See Table PNC=Process No Color
 P__=Paint

Cable Length:	62"	84"	96"	120"	144"	220"	280"
Maximum Pole Dia:	7.0"	10.5"	12.4"	16.2"	20.1"	32.2"	35.0"
Pole Dia w/ Ty-back:	4.5"	7.6"	9.6"	13.4"	17.2"	29.3"	35.0"



Stellar 5-Sec Cluster OPS Signal Assy, Stainless Band Mount, Tri-Bolt

AS-0191 - -
 Band Length Coating
 See Table PNC=Process No Color
 P__=Paint

Band Length:	29"	42"	56"	72"	114"
Maximum Pole Dia:	7.3"	11.5"	15.9"	21.0"	34.4"



- Note: 1. All assemblies are supplied standard with stainless steel cable, clamp screw, and fasteners.
 2. See Reference Section page vi for clamp kit pole diameter and tube length information.
 3. See Reference Section page v for available paint colors.

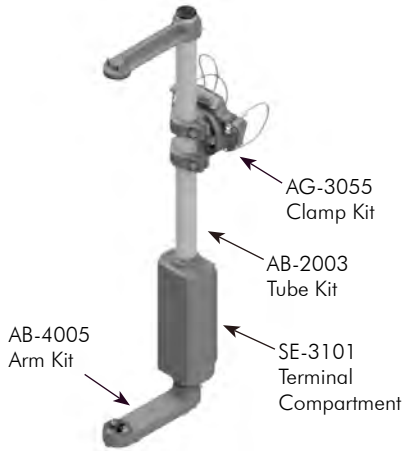


Terminal Compartment Assemblies

Pelco's in-line Astro-Brac terminal compartment assemblies satisfy the need of a terminal compartment without sacrificing all-axis adjustability. Galaxy and Stellar series are designed to facilitate the mounting of any size signal onto any shape of mast arm or pole. Available in stainless cable or band mount. The hinged clamping mechanism on the Galaxy provides for an easy convenient installation.



Astro-Brac

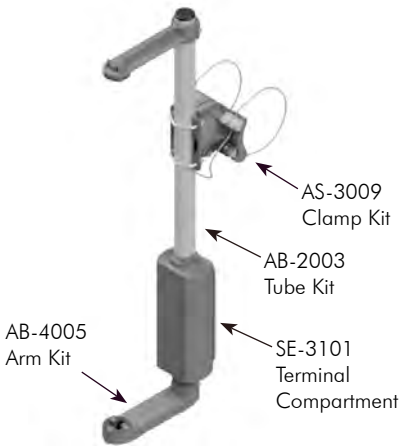


Galaxy 1-Way Terminal Compartment Assy, Stainless Cable Mount

AG-0620 - - -

Signal Section	Cable Length	Coating
3=37" Tube	See Table	PNC=Process No Color
4=46" Tube		P_=_Paint
5=58" Tube		

Cable Length:	62"	84"	96"	120"	144"	220"	280"
Maximum Pole Dia:	7.0"	10.5"	12.4"	16.2"	20.1"	32.2"	35.0"
Pole Dia w/ Ty-back:	4.5"	7.6"	9.6"	13.4"	17.2"	29.3"	35.0"

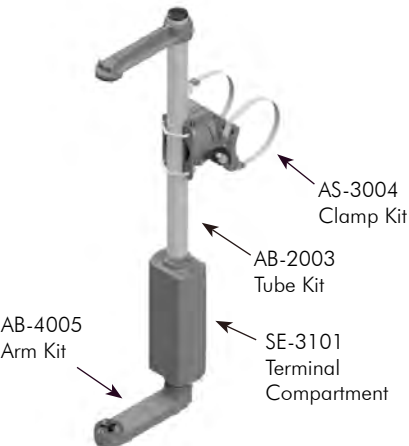


Stellar 1-Way Terminal Compartment Assy, Stainless Cable Mount

AS-0620 - - -

Signal Section	Cable Length	Coating
3=37" Tube	See Table	PNC=Process No Color
4=46" Tube		P_=_Paint
5=58" Tube		

Cable Length:	62"	84"	96"	120"	144"	220"	280"
Maximum Pole Dia:	7.0"	10.5"	12.4"	16.2"	20.1"	32.2"	35.0"
Pole Dia w/ Ty-back:	4.5"	7.6"	9.6"	13.4"	17.2"	29.3"	35.0"



Stellar 1-Way Terminal Compartment Assy, Stainless Band Mount

AS-0112 - - -

Signal Section	Band Length	Coating
3=37" Tube	See Table	PNC=Process No Color
4=46" Tube		P_=_Paint
5=58" Tube		

Band Length:	29"	42"	56"	72"	114"
Maximum Pole Dia:	7.3"	11.5"	15.9"	21.0"	34.4"

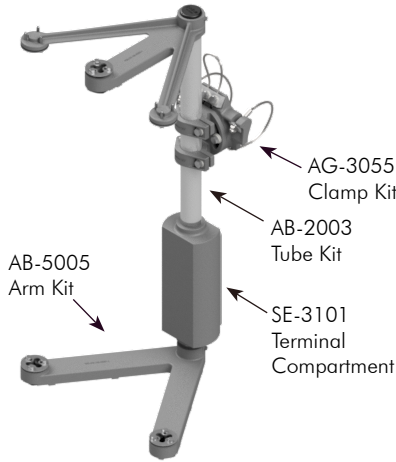


- Note: 1. All assemblies are supplied standard with stainless steel cable, clamp screw, and fasteners.
 2. See Reference Section page vi for clamp kit pole diameter and tube length information.
 3. See Reference Section page v for available paint colors.



Terminal Compartment Assemblies

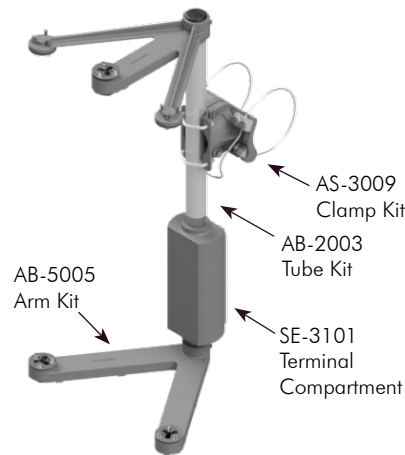
Pelco's in-line Astro-Brac terminal compartment assemblies satisfy the need of a terminal compartment without sacrificing all-axis adjustability. Galaxy and Stellar series are designed to facilitate the mounting of any size signal onto any shape of mast arm or pole. The hinged clamping mechanism on the Galaxy provides for an easy convenient installation.



Galaxy 5-Sec Cluster Terminal Compartment Assy, Stainless Cable Mount

AG-0621 - -
 Cable Length Coating
 See Table PNC=Process No Color
 P_ _=Paint

Cable Length:	62"	84"	96"	120"	144"	220"	280"
Maximum Pole Dia:	7.0"	10.5"	12.4"	16.2"	20.1"	32.2"	35.0"
Pole Dia w/ Ty-back:	4.5"	7.6"	9.6"	13.4"	17.2"	29.3"	35.0"



Stellar 5-Sec Cluster Terminal Compartment Assy, Stainless Cable Mount

AS-0621 - -
 Cable Length Coating
 See Table PNC=Process No Color
 P_ _=Paint

Cable Length:	62"	84"	96"	120"	144"	220"	280"
Maximum Pole Dia:	7.0"	10.5"	12.4"	16.2"	20.1"	32.2"	35.0"
Pole Dia w/ Ty-back:	4.5"	7.6"	9.6"	13.4"	17.2"	29.3"	35.0"

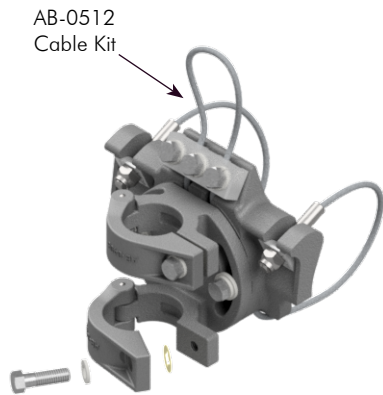


- Note: 1. All assemblies are supplied standard with stainless steel cable, clamp screw, and fasteners.
 2. See Reference Section for clamp kit pole diameter.
 3. See Reference Section for available paint colors.



Galaxy Series Clamp Kits

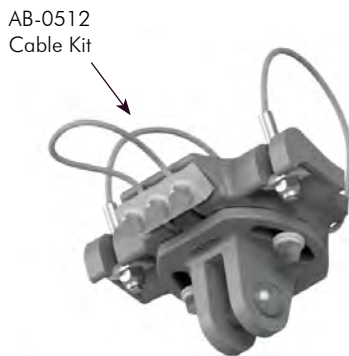
The Galaxy is designed using a single cable plate and a multi-directional adjustable tube saddle. These high tensile aluminum alloy clamp kits provide strength with maximum adjustability and complete clamping versatility. The hinged clamping mechanism provides for an easy convenient one-tool installation. Comes complete with all necessary attaching hardware.



Galaxy Hinged Clamp Kit, Stainless Cable Mount

AG-3055 - -
 Cable Length Coating
 See Table PNC=Process No Color
 P__=Paint

Cable Length:	62"	84"	96"	120"	144"	220"	280"
Maximum Pole Dia:	7.0"	10.5"	12.4"	16.2"	20.1"	32.2"	35.0"
Pole Dia w/ Ty-back:	4.5"	7.6"	9.6"	13.4"	17.2"	29.3"	35.0"

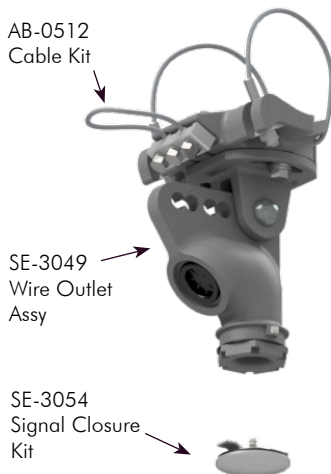


Galaxy Clamp Kit, Free-Swinging 3/4" Clevis, Stainless Cable Mount

AG-3014 - - - -
 Cable Length Stainless Upgrade Bushing Coating
 See Table Blank=None SB=Stainless Bushing PNC=Process No Color
 SS=Stainless P__=Paint

Cable Length:	62"	84"	96"	120"	144"	220"	280"
Maximum Pole Dia:	7.0"	10.5"	12.4"	16.2"	20.1"	32.2"	35.0"
Pole Dia w/ Ty-back:	4.5"	7.6"	9.6"	13.4"	17.2"	29.3"	35.0"

Note: Stainless upgrade to include stainless pins.



Galaxy Clamp Kit, Free-Swinging w/ Wire Outlet, Stainless Cable Mount

AG-0707 - - - -
 Cable Length Stainless Upgrade Bushing Coating
 See Table Blank=None SB=Stainless Bushing PNC=Process No Color
 SS=Stainless P__=Paint

Cable Length:	62"	84"	96"	120"	144"	220"	280"
Maximum Pole Dia:	7.0"	10.5"	12.4"	16.2"	20.1"	32.2"	35.0"
Pole Dia w/ Ty-back:	4.5"	7.6"	9.6"	13.4"	17.2"	29.3"	35.0"

Note: Stainless upgrade to include stainless pins.

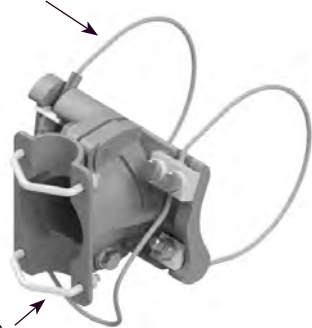
- Note: 1. All assemblies are supplied standard with stainless steel cable, clamp screw, and fasteners.
 2. See Reference Section for clamp kit pole diameter.
 3. See Reference Section for available paint colors.

Stellar Series Clamp Kits

These high tensile aluminum alloy clamp kits provide strength with maximum adjustability and complete clamping versatility. The 2-piece clamp features a strong clamping method with quick and easy installation. Available in stainless cable or band, and tenon mount. Supplied with all necessary attaching hardware.



AB-0512
Cable Kit



AB-0256
V-Bolt Kit

Stellar Clamp Kit, Stainless Cable Mount

AS-3009 - -
 Cable Length Coating
 See Table PNC=Process No Color
 P__=Paint

Cable Length:	62"	84"	96"	120"	144"	220"	280"
Maximum Pole Dia:	7.0"	10.5"	12.4"	16.2"	20.1"	32.2"	35.0"
Pole Dia w/ Ty-back:	4.5"	7.6"	9.6"	13.4"	17.2"	29.3"	35.0"

AB-0204
Clamp Screw Kit

AB-0243
Band Kit



AB-0256
V-Bolt Kit

Stellar Clamp Kit, Stainless Band Mount

AS-3004 - -
 Cable Length Coating
 See Table PNC=Process No Color
 P__=Paint

Band Length:	29"	42"	56"	72"	114"
Maximum Pole Dia:	7.3"	11.5"	15.9"	21.0"	34.4"

Stellar Clamp Kit, Tenon Mount



AB-0256
V-Bolt Kit

AS-3010 -
 Coating
 PNC=Process No Color
 P__=Paint

Note: Fits 1.9" to 4.5" diameter.
 Application Note: Used on trombone style arm.

Note: 1. All assemblies are supplied standard with stainless steel cable, clamp screw, and fasteners.
 2. See Reference Section for clamp kit pole diameter.
 3. See Reference Section for available paint colors.



Astro-Brac

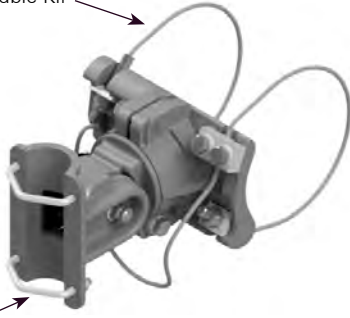
pelco
PELCO PRODUCTS, INC.

Atlas Series Clamp Kits

These aluminum serrated articulating clamp kits were specifically designed to accommodate larger conduit. The 3 axis adjustability provides complete clamping versatility. Available in stainless cable or band, and clamp or slip tenon mount. Supplied with all necessary attaching hardware.



AB-0512
Cable Kit



AB-0256
V-Bolt Kit

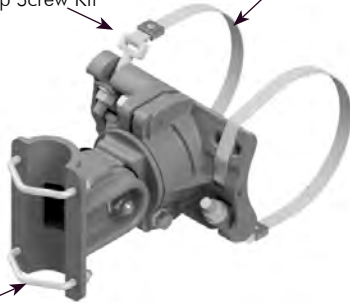
Atlas Articulated Serrated Clamp Kit, Stainless Cable Mount

AS-3026 - -
 Cable Length Coating
 See PNC=Process No Color
 Table P__=Paint

Cable Length:	62"	84"	96"	120"	144"	220"	280"
Maximum Pole Dia:	7.0"	10.5"	12.4"	16.2"	20.1"	32.2"	35.0"
Pole Dia w/ Ty-back:	4.5"	7.6"	9.6"	13.4"	17.2"	29.3"	35.0"

AB-0204
Clamp Screw Kit

AB-0243
Band Kit



AB-0256
V-Bolt Kit

Atlas Articulated Serrated Clamp Kit, Stainless Band Mount

AS-3029 - -
 Cable Length Coating
 See PNC=Process No Color
 Table P__=Paint

Band Length:	29"	42"	56"	72"	114"
Maximum Pole Dia:	7.3"	11.5"	15.9"	21.0"	34.4"



AB-0256
V-Bolt Kit

Atlas Articulated Serrated Clamp Kit, Tenon Mount, Clamp

AS-3030 -
 Coating
 PNC=Process No Color
 P__=Paint

Note:
Fits 1.9" to 4.5" diameter.



AB-0256
V-Bolt Kit

Atlas Articulated Serrated Clamp Kit, Tenon Mount, Slip

AB-3051 -
 Coating
 PNC=Process No Color
 P__=Paint

Note:
Fits 2-3/8" diameter.

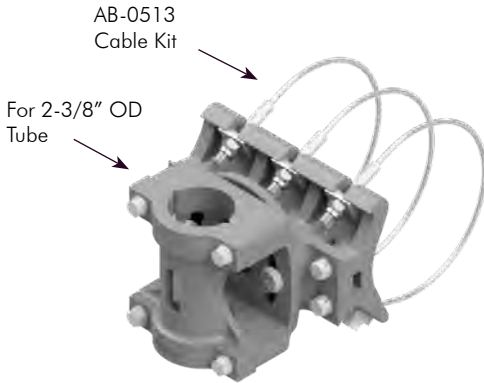
- Note: 1. All assemblies are supplied standard with stainless steel cable, clamp screw, and fasteners.
 2. See Reference Section for clamp kit pole diameter.
 3. See Reference Section for available paint colors.

Triton Series Clamp Kits

These high tensile aluminum alloy clamp kits provide strength with maximum adjustability and complete clamping versatility. The Triton clamp kits utilize three stainless cables or bands and are designed to be used with a 2-3/8" diameter tube. Comes complete with all necessary attaching hardware.



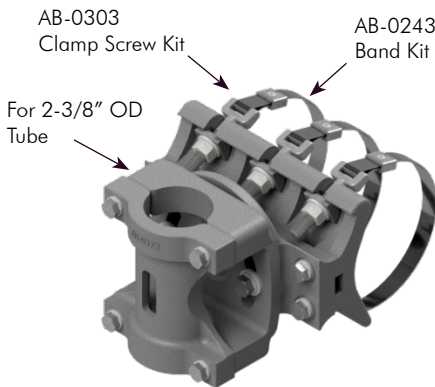
Triton Clamp Kit for 2" Tube, Stainless Cable Mount



AB-3040 - -
 Cable Length Coating
 See Table PNC=Process No Color
 P__=Paint

Cable Length:	45"	62"	84"
Maximum Pole Dia:	11.1"	16.6"	22.0"

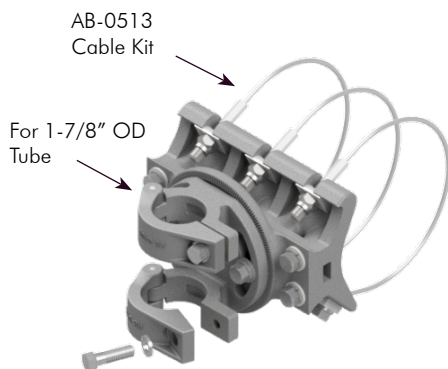
Triton Clamp Kit for 2" Tube, Stainless Band Mount



AB-3039 - -
 Cable Length Coating
 See Table PNC=Process No Color
 P__=Paint

Band Length:	29"	42"	56"	72"
Maximum Pole Dia:	7.3"	11.5"	15.9"	21.0"

Triton Hinged Clamp Kit for 1-1/2" Tube, Stainless Cable Mount



AB-3050 - -
 Cable Length Coating
 See Table PNC=Process No Color
 P__=Paint

Cable Length:	45"	62"	84"
Maximum Pole Dia:	11.1"	16.6"	22.0"

- Note: 1. All assemblies are supplied standard with stainless steel cable, clamp screw, and fasteners.
 2. See Reference Section for clamp kit pole diameter.
 3. See Reference Section for available paint colors.



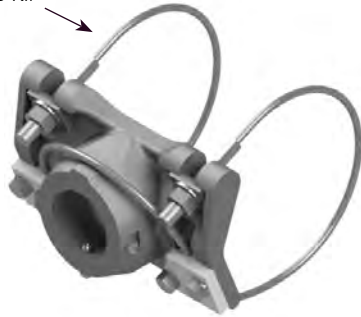
Cable Mount Clamp Kits

These high tensile aluminum alloy clamp kits provide strength with maximum adjustability and complete clamping versatility. They feature high strength stainless steel aircraft cable. Supplied complete with all necessary attaching hardware.



Astro-Brac

AB-0512 Cable Kit



Astro-Brac Clamp Kit, 1-1/2" NPS Stainless Cable Mount

AB-3034 - -

Cable Length Coating

See Table PNC=Process No Color
P__=Paint

Cable Length:	62"	84"	96"	120"	144"	220"	280"
Maximum Pole Dia:	7.0"	10.5"	12.4"	16.2"	20.1"	32.2"	35.0"
Pole Dia w/ Ty-back:	4.5"	7.6"	9.6"	13.4"	17.2"	29.3"	35.0"

AB-0512 Cable Kit



Astro-Brac Clamp Kit, 2" NPS Stainless Cable Mount

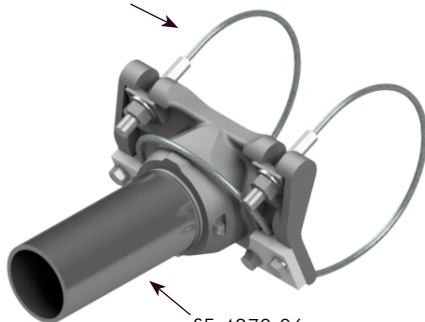
AB-3035 - -

Cable Length Coating

See Table PNC=Process No Color
P__=Paint

Cable Length:	62"	84"	96"	120"	144"	220"	280"
Maximum Pole Dia:	7.0"	10.5"	12.4"	16.2"	20.1"	32.2"	35.0"
Pole Dia w/ Ty-back:	4.5"	7.6"	9.6"	13.4"	17.2"	29.3"	35.0"

AB-0512 Cable Kit



SE-4370-06 Support Tube

Astro-Brac Clamp Kit, 2" NPS x 6" Plumbizer Tube Stainless Cable Mount

AB-3053 - -

Cable Length Coating

See Table PNC=Process No Color
P__=Paint

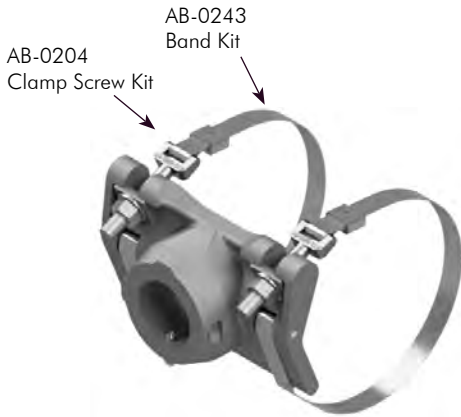
Cable Length:	62"	84"	96"	120"	144"	220"	280"
Maximum Pole Dia:	7.0"	10.5"	12.4"	16.2"	20.1"	32.2"	35.0"
Pole Dia w/ Ty-back:	4.5"	7.6"	9.6"	13.4"	17.2"	29.3"	35.0"

- Note: 1. All assemblies are supplied standard with stainless steel cable, clamp screw, and fasteners.
2. See Reference Section for clamp kit pole diameter.
3. See Reference Section for available paint colors.



Band Mount Clamp Kits

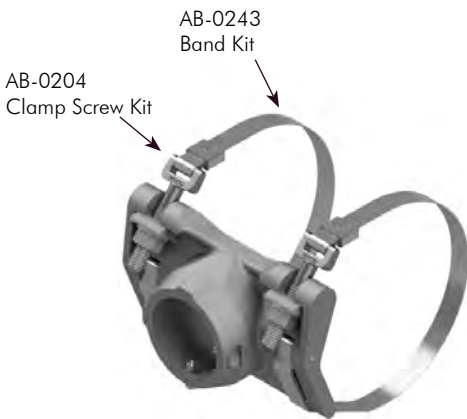
These high tensile aluminum alloy clamp kits provide strength with maximum adjustability and complete clamping versatility. They feature stainless clamp screws and bands which allow for easy signal mounting on any size signal pole. Supplied complete with all necessary attaching hardware.



Astro-Brac Clamp Kit, 1-1/2" NPS Stainless Band Mount

AB-3006 - -
 Band Length Coating
 See Table PNC=Process No Color
 P__=Paint

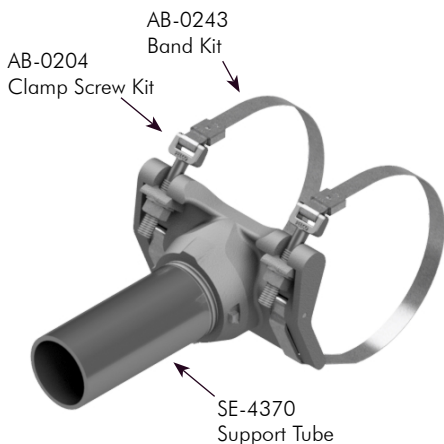
Band Length:	29"	42"	56"	72"	114"
Maximum Pole Dia:	7.3"	11.5"	15.9"	21.0"	34.4"



Astro-Brac Clamp Kit, 2" NPS Stainless Band Mount

AB-3007 - -
 Band Length Coating
 See Table PNC=Process No Color
 P__=Paint

Band Length:	29"	42"	56"	72"	114"
Maximum Pole Dia:	7.3"	11.5"	15.9"	21.0"	34.4"



Astro-Brac Clamp Kit, w/ 2" NPS Plumbizer Tube Stainless Band Mount

AB-3008 - -
 Band Length Coating
 See Table PNC=Process No Color
 P__=Paint

Band Length:	29"	42"	56"	72"	114"
Maximum Pole Dia:	7.3"	11.5"	15.9"	21.0"	34.4"

- Note: 1. All assemblies are supplied standard with stainless steel cable, clamp screw, and fasteners.
 2. See Reference Section for clamp kit pole diameter.
 3. See Reference Section for available paint colors.



Astro-Brac

pelco
PELCO PRODUCTS, INC.

Mini-Brac Clamp Kits

This unique mount is a smaller version of the Astro-Brac and gives the same kind of universal application. The Astro Mini-Brac is ideal for side-of-pole or mast arm mountings for vehicle or pedestrian signals and emergency traffic signal sensors. Available in stainless cable or band mount.



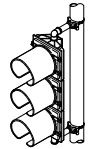
AB-0513
Cable Kit



Mini-Brac Clamp Kit, 1-1/2" NPS Stainless Cable Mount

AB-0160 - -
Cable Length Coating
See Table PNC=Process No Color
P__=Paint

Cable Length:	45"	62"	84"
Maximum Pole Dia:	11.1"	16.6"	22.0"



Side-of-Pole Mounting
Vehicular or Pedestrian Signals

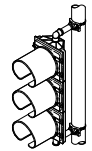
AB-0303
Clamp Screw Kit



Mini-Brac Clamp Kit, 1-1/2" NPS Stainless Band Mount

AB-0121 - -
Band Length Coating
See Table PNC=Process No Color
P__=Paint

Band Length:	29"	42"	56"	72"
Maximum Pole Dia:	7.3"	11.5"	15.9"	21.0"



Side-of-Pole Mounting
Vehicular or Pedestrian Signals

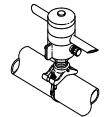
AB-0513
Cable Kit



Mini-Brac Clamp Kit, 3/4"-14 NPT Stainless Cable Mount

AB-0163 - -
Cable Length Coating
See Table PNC=Process No Color
P__=Paint

Cable Length:	45"	62"	84"
Maximum Pole Dia:	11.1"	16.6"	22.0"



Mast Arm Mounting
Emergency Traffic Signal Sensor

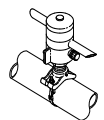
AB-0303
Clamp Screw Kit



Mini-Brac Clamp Kit, 3/4"-14 NPT Band Mount

AB-0155 - -
Band Length Coating
See Table PNC=Process No Color
P__=Paint

Band Length:	29"	42"	56"	72"
Maximum Pole Dia:	7.3"	11.5"	15.9"	21.0"



Mast Arm Mounting
Emergency Traffic Signal Sensor

- Note: 1. All assemblies are supplied standard with stainless steel cable, clamp screw, and fasteners.
2. See Reference Section for clamp kit pole diameter.
3. See Reference Section for available paint colors.



This page is intentionally left blank.

Astro-Brac

pelco
PELCO PRODUCTS, INC.



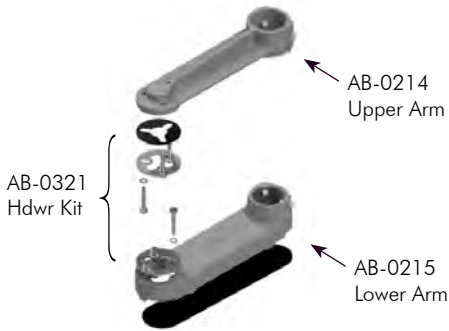
1-Way Astro-Brac Arm Kits

All Pelco arm kits are durable aluminum alloy castings. Various styles are available to fit any manufacturer's signal. They allow positive positioning of the signal head without misalignment. Supplied complete with stainless steel hardware and wire covers.



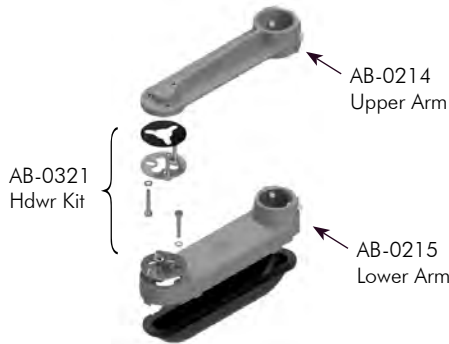
Astro-Brac

pelco
PELCO PRODUCTS, INC.



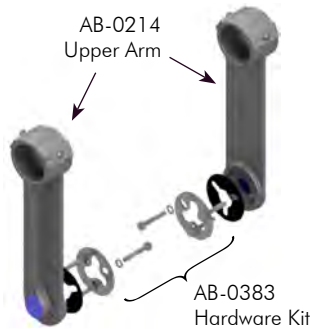
1-Way Arm Kit, 8-1/2" CTC, Alum

AB-4005 - Coating
 PNC=Process No Color
 P__=Paint



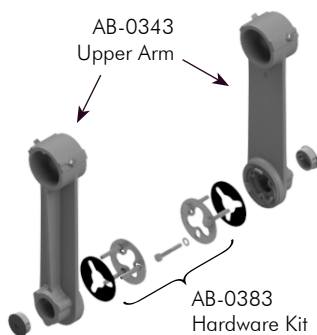
1-Way Arm Kit, 8-1/2" CTC, Alum Large Capacity,

AS-4005 - Coating
 PNC=Process No Color
 P__=Paint



1-Way Arm Kit, 8-1/2" CTC, Alum Tapped for 3/4" CGB

AB-4013 - Coating
 PNC=Process No Color
 P__=Paint



1-Way Arm Kit, 8-1/2" CTC, Alum Tapped for 1" CGB

AB-4010 - Coating
 PNC=Process No Color
 P__=Paint



Note: 1. All assemblies are supplied standard with stainless steel washer and fasteners.
 2. See Reference Section page v for available paint colors.

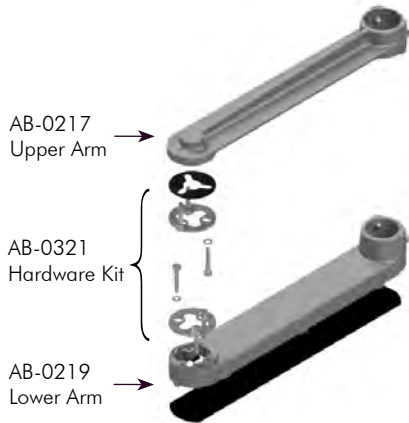


1-Way Astro-Brac Arm Kits

All Pelco arm kits are durable aluminum alloy castings. Various styles are available to fit any manufacturer's signal. They allow positive positioning of the signal head without misalignment. Supplied complete with stainless steel hardware and wire covers.



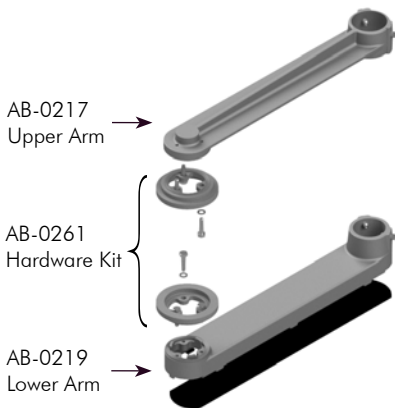
1-Way Arm Kit, 14" CTC, Alum for ICC Ped Head



AB-4012 - Coating
 PNC=Process No Color
 P__=Paint



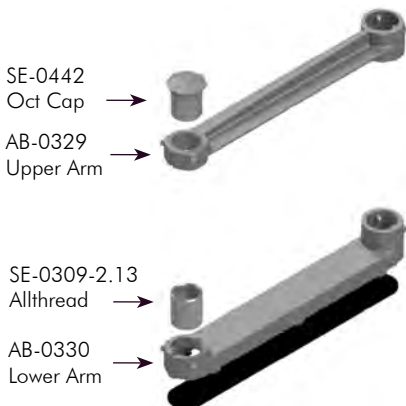
1-Way Arm Kit, 14" CTC, Alum for 3M OPS Signals, Tri-Stud



AB-5000 - Coating
 PNC=Process No Color
 P__=Paint



1-Way Arm Kit, 16" CTC, for OPS Signals, 1-1/2" NPS



AB-5006 - Coating
 PNC=Process No Color
 P__=Paint



Note: 1. All assemblies are supplied standard with stainless steel slotted washer and fasteners.
 2. See Reference Section page v for available paint colors.



2-Way Astro-Brac Arm Kits

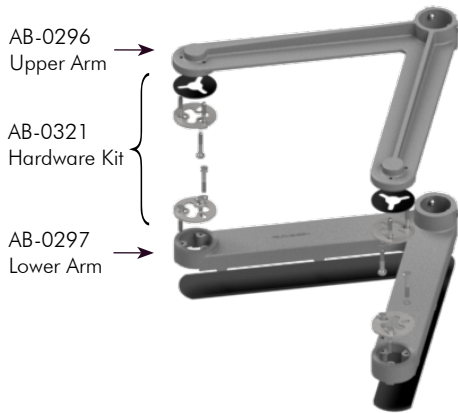
All Pelco arm kits are durable aluminum alloy castings. Various styles are available to fit any manufacturer's signal. They allow positive positioning of the signal head without misalignment. Supplied complete with stainless steel hardware and wire covers.



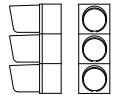
Astro-Brac

pelco
PELCO PRODUCTS, INC.

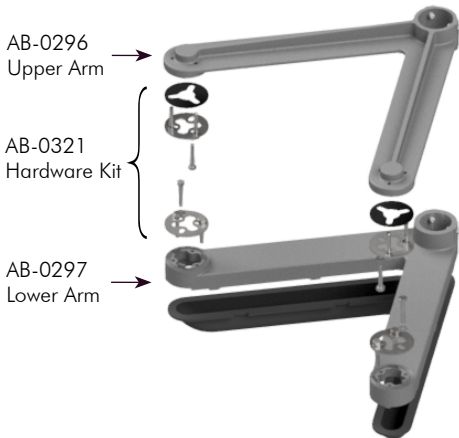
2-Way Arm Kit, 16" CTC, Alum



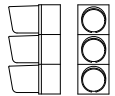
AB-5008 - Coating
PNC=Process No Color
P__=Paint



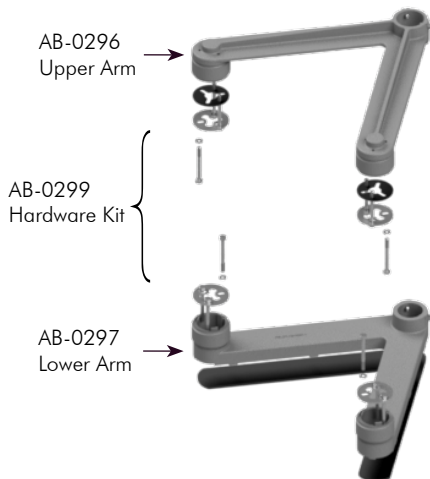
2-Way Arm Kit, 16" CTC, Alum Large Capacity



AS-5008 - Coating
PNC=Process No Color
P__=Paint



2-Way Arm Kit, 16" CTC, Alum for ICC Ped Head



AB-4009 - Coating
PNC=Process No Color
P__=Paint



Note: 1. All assemblies are supplied standard with stainless steel slotted washer and fasteners.
2. See Reference Section page v for available paint colors.



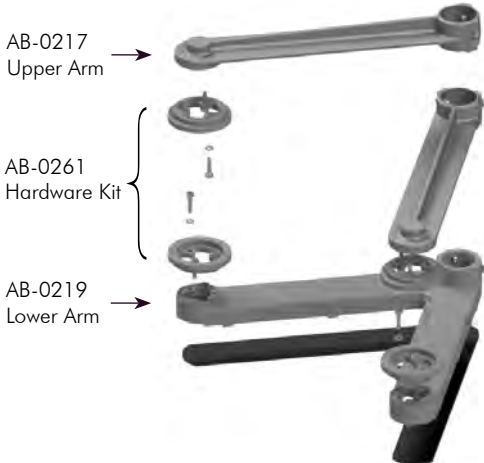
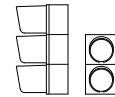
2-Way Variable Astro-Brac Arm Kits

All Pelco arm kits are durable aluminum alloy castings. Various styles are available to fit any manufacturer's signal. They allow positive positioning of the signal head without misalignment. Supplied complete with stainless steel hardware and wire covers.



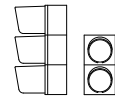
2-Way Variable Arm Kit, 16" CTC, Alum

AB-5007 - Coating
 PNC=Process No Color
 P__=Paint



2-Way Variable Arm Kit, 16" CTC, Alum for OPS Signals

AB-5011 - Coating
 PNC=Process No Color
 P__=Paint



Note: 1. All assemblies are supplied standard with stainless steel slotted washer and fasteners.
 2. See Reference Section page v for available paint colors.



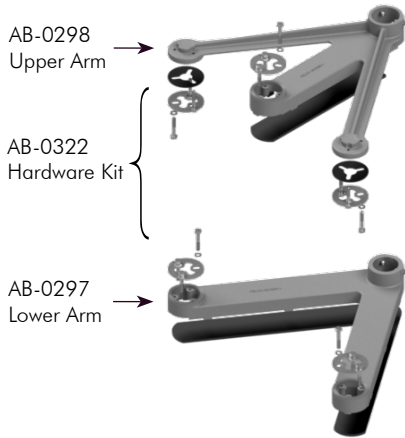
Cluster Astro-Brac Arm Kits

All Pelco arm kits are durable aluminum alloy castings. Various styles are available to fit any manufacturer's signal. They allow positive positioning of the signal head without misalignment. Supplied complete with stainless steel hardware and wire covers.



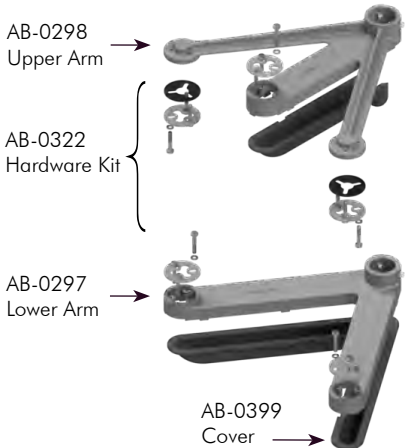
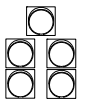
Astro-Brac

pelco
PELCO PRODUCTS, INC.



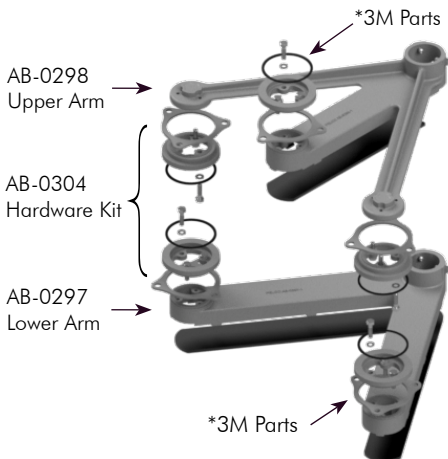
5-Section Cluster Arm Kit, 16" CTC, Alum

AB-5005 - Coating
 PNC=Process No Color
 P__=Paint



5-Section Cluster Arm Kit, 16" CTC, Alum Large Capacity

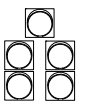
AS-5005 - Coating
 PNC=Process No Color
 P__=Paint



5-Section Cluster Arm Kit, 16" CTC, Alum for 3M OPS Signals

AB-5004 - Coating
 PNC=Process No Color
 P__=Paint

Note: *3M parts supplied by others



Note: 1. All assemblies are supplied standard with stainless steel slotted washer and fasteners.
 2. See Reference Section page v for available paint colors.



Aluminum Gusseted Tubes

Supplied in lengths shown below, Pelco's vertical support tubing is made from high strength aluminum alloy. A unique shape and PVC insert insures a complete weather proof wiring installation anywhere along the entire length of the tube. The standard 46" tube will accommodate standard signal combinations up to 3-section 12", with the 58" and 74" lengths for 4 and 5-section combinations. Optional tube lengths are available for mounting OPS signals.



AB-0306
Gusseted Tube



AB-0392
PVC Insert

Gusseted Tube w/ 3/4" Opening & PVC Insert, 1-1/2" (1.90" OD) x Length, Threaded One End

AB-2003	-	Length	-	Coating
		<input type="text"/>		<input type="text"/>
		23=23"		PNC=Process No Color
		37=37"		P__=Paint
		46=46"		
		58=58"		
		74=74"		



AB-0307
Gusseted Tube



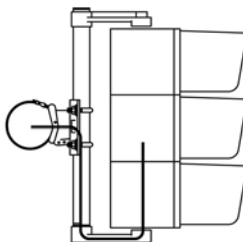
AB-0392
PVC Insert

Gusseted Tube w/ 3/4" Opening & PVC Insert, 1-1/2" (1.90" OD) x Length, Threaded Both Ends

AB-2007	-	Length	-	Coating
		<input type="text"/>		<input type="text"/>
		23=23"		PNC=Process No Color
		37=37"		P__=Paint
		46=46"		
		58=58"		
		74=74"		

Concealed Wiring Installation

Pelco's aluminum gusseted tubes allow wire entry at any point. The PVC insert conceals wiring from mast arm to signal head. Simply run wire through field-drilled hole in mast arm, through Astro-Brac, and into support tube. The hollow lower arm provides a channel for wire to be fed into signal head.



- Note: 1. Standard lengths shown above. Lengths up to 120" maximum are available upon request.
 2. See Reference Section page vi for appropriate tube length for mounting both standard and OPS signals.
 3. See Reference Section page v for available paint colors.



Aluminum Tubes

Supplied in lengths shown below, Pelco's gusseted and support tubing is made from high strength aluminum alloy. The standard 46" tube will accommodate standard signal combinations up to 3-section 12", with the 58" and 74" lengths for 4 and 5-section combinations. Optional tube lengths are available for mounting OPS signals.



Gusseted Tube, 1-1/2" w/ 3/4" Opening, 1.90" OD x Length, No Threads

AB-0390 - Length - Coating

23=23"
37=37"
46=46"
58=58"
74=74"

PNC=Process No Color
P__=Paint



Pipe 1-1/2" SCH 40 Aluminum, 1.90" OD x Length, No Threads

SE-0484 - Length - Coating

23=23"
37=37"
46=46"
58=58"
74=74"

PNC=Process No Color
P__=Paint



Pipe, 2" SCH 40 Aluminum, 2.375" OD x Length, No Threads

SE-0494 - Length - Coating

23=23"
37=37"
46=46"
58=58"
74=74"

PNC=Process No Color
P__=Paint

- Note: 1. Standard lengths shown above. Lengths up to 120" maximum are available upon request.
2. See Reference Section page vi for appropriate tube length for mounting both standard and OPS signals.
3. See Reference Section page v for available paint colors.



This page is intentionally left blank.

Astro-Brac

pelco
PELCO PRODUCTS, INC.



Astro-Brac Hardware Kits



AB-0321-SS **Hardware Kit, 1-Way Arm,
1/4"-20NC**



AB-0383-SS **Hardware Kit, CGB Arm,
1/4"-20NC**



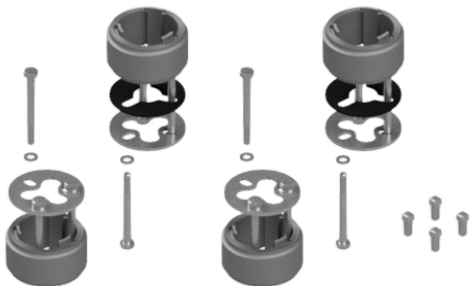
AB-0261-SS **Hardware Kit, OPS 1-Way,
1/4"-20NC, 3M Adapter Ring**



AB-0322-SS **Hardware Kit, 5-Section Cluster,
1/4"-20NC**



AB-0304-SS **Hardware Kit, OPS 5-Section Cluster,
1/4"-20NC, 3M Adapter Ring**



AB-0299-SS **Hardware Kit, 2-Way ICC Ped Signal,
1/4"-20NC, Ped Head Adapter**

Note: 1. All hardware kits are supplied standard with stainless slotted washers and fasteners.



Astro-Brac Hardware Kits



AB-0204-SS

**Clamp Screw Kit, 7/16"-14,
Set of 2
Stainless**



AB-0303-SS

**Clamp Screw Kit, 7/16"-14,
Set of 1
Stainless**



AB-0256-SS

**V-Bolt Kit, 5/16"-18,
Stainless**



AB-1000-PNC

**Helping Hand Assembly
For use with
Galaxy & Stellar Clamp Kits**

Note: 1. All hardware kits are supplied standard with stainless fasteners.



Astro-Brac Hardware Kits

Astro-Brac

pelco
PELCO PRODUCTS, INC.

Cable Assy, Astro-Brac, Stainless



AB-0512 - Length - SS
See Table

Cable Length:	62"	84"	96"	120"	144"	220"	280"
Maximum Pole Dia:	7.0"	10.5"	12.4"	16.2"	20.1"	32.2"	35.0"

Cable Assy, Mini-Brac, Stainless



AB-0513 - Length - SS
See Table

Cable Length:	45"	62"	84"
Maximum Pole Dia:	11.1"	16.6"	22.0"



AB-0506-ZN2 **Ty-Back Restraining Clamp**
For use with Cable
Stellar, Atlas, & Galaxy Clamp Kits

Note: 1. All hardware kits are supplied standard with stainless fasteners.



Astro-Brac Hardware Kits

Band Assy, Astro-Brac Set of 2, Stainless w/ Clamps, Set Screws, & Groove Pins



AB-0509 - Length - SS
See Table

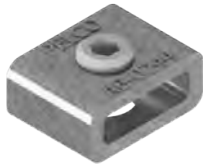
Band Length:	29"	42"	56"	72"	114"
Maximum Pole Dia:	7.3"	11.5"	15.9"	21.0"	34.4"

Band Assy, Mini-Brac Set of 1, Stainless w/ Clamp, Set Screw, & Groove Pin



AB-0510 - Length - SS
See Table

Band Length:	29"	42"	56"	72"
Maximum Pole Dia:	7.3"	11.5"	15.9"	21.0"



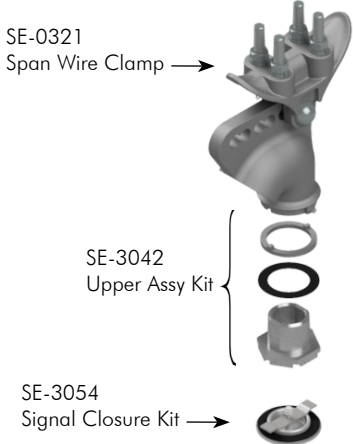
AB-0514-SS **Band Clamp w/ Set Screw, Stainless**

Note: 1. All hardware kits are supplied standard with stainless fasteners.



Aluminum 1-Way Hanger Assemblies

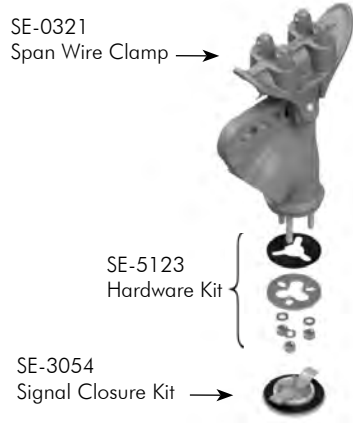
Pelco's Span Wire mountings are available in aluminum or iron with 1-1/2" NPS or tri-stud fittings. Balance adjusters provide additional adjustment capabilities, while tether assemblies may be used to anchor the bottom of signals in windy applications.



Span Wire Hanger Assy, Alum Cast Nipple

SE-3043	-	<input type="text"/>	-	<input type="text"/>	-	<input type="text"/>
		Blank=None SB=Stainless Bushing		Blank=Galv SS=Stainless		PNC=Process No Color P__=Paint

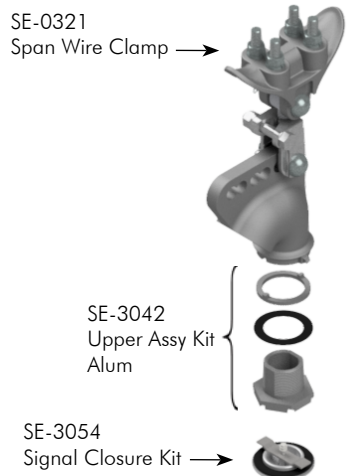
Note: Stainless upgrade includes stainless steel fasteners and pins on span wire clamp.



Span Wire Hanger Assy, Alum Tri-Stud

SE-5089	-	<input type="text"/>	-	<input type="text"/>	-	<input type="text"/>
		Blank=None SB=Stainless Bushing		Blank=Galv SS=Stainless		PNC=Process No Color P__=Paint

Note: Stainless upgrade includes stainless steel fasteners and pins on span wire clamp.



Span Wire Hanger Assy, Alum w/ Iron Balance Adjuster Cast Nipple

SE-3033	-	<input type="text"/>	-	<input type="text"/>	-	<input type="text"/>
		Blank=None SB=Stainless Bushing		Blank=Galv SS=Stainless		PNC=Process No Color P__=Paint

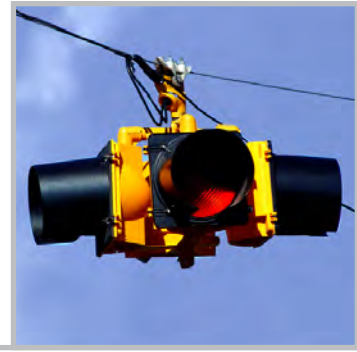
Note: Stainless upgrade includes stainless steel fasteners and pins on span wire clamp.

Note: 1. All assemblies are supplied standard with stainless slotted washer and fasteners, with galvanized hardware on span wire clamps. Stainless upgrade available.
2. See Reference Section page v for available paint colors.



Aluminum 1-Way Hanger Assemblies

Pelco's Span Wire mountings are available in aluminum or iron with 1-1/2" NPS or tri-stud fittings. Balance adjusters provide additional adjustment capabilities, while tether assemblies may be used to anchor the bottom of signals in windy applications.



SE-0321
Span Wire
Clamp



SE-5123
Hardware Kit



SE-3054
Signal Closure Kit



Span Wire Hanger Assy w/ Iron Balance Adjuster Tri-Stud, Alum

SE-5162 - - -

Bushing	Stainless Upgrade	Coating
Blank=None SB=Stainless Bushing	Blank=Galv SS=Stainless	PNC=Process No Color P__=Paint

Note:
Stainless upgrade includes stainless steel fasteners and pins on span wire clamp.

SE-0321
Span Wire
Clamp



SE-3042
Upper Assy Kit
Alum



SE-3054
Signal Closure Kit



Span Wire Hanger Assy w/ PAL Balance Adjuster Cast Nipple, Alum

SE-3276 - - -

Bushing	Stainless Upgrade	Coating
Blank=None SB=Stainless Bushing	Blank=Galv SS=Stainless	PNC=Process No Color P__=Paint

Note:
Stainless upgrade includes stainless steel fasteners and pins on span wire clamp.

SE-0321
Span Wire
Clamp



SE-5123
Hardware Kit



SE-3054
Signal Closure Kit



Span Wire Hanger Assy w/ PAL Balance Adjuster Tri-Stud, Alum

SE-5164 - - -

Bushing	Stainless Upgrade	Coating
Blank=None SB=Stainless Bushing	Blank=Galv SS=Stainless	PNC=Process No Color P__=Paint

Note:
Stainless upgrade includes stainless steel fasteners and pins on span wire clamp.

Note: 1. All assemblies are supplied standard with stainless slotted washer and fasteners, with galvanized hardware on span wire clamps. Stainless upgrade available.
2. See Reference Section page v for available paint colors.

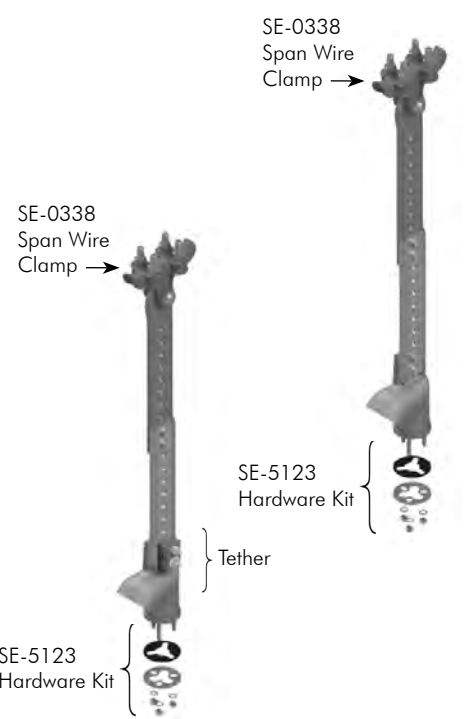


FREE-SWINGING



Aluminum 1-Way Hanger Assemblies Tri-Stud

Pelco's Span Wire mountings are available in aluminum or iron with 1-1/2" NPS or tri-stud fittings. Balance adjusters provide additional adjustment capabilities, while tether assemblies may be used to anchor the bottom of signals in windy applications.



Span Wire Hanger Assy w/ Iron Span Wire Clamp, Tri-Stud & Adjustable Extender, Alum

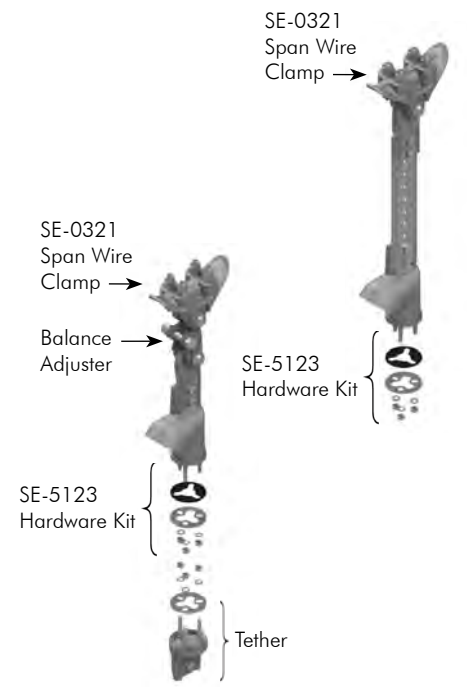
SE-5072	-	Extender	-	Stainless Upgrade	-	Coating
		06=6" Length 11=11" Length 19=19" Length 40=40" Length 48=48" Length 72=72" Length		Blank=Galv SS=Stainless		PNC=Process No Color P__=Paint

Note:
Stainless upgrade includes stainless steel fasteners and pins on span wire clamp.

Span Wire Hanger Assy w/ Iron Span Wire Clamp, Tri-Stud, Adjustable Extender & Tether, Alum

SE-5024	-	Extender	-	Stainless Upgrade	-	Coating
		06=6" Length 11=11" Length 19=19" Length 40=40" Length 48=48" Length 72=72" Length		Blank=Galv SS=Stainless		PNC=Process No Color P__=Paint

Note:
Stainless upgrade includes stainless steel fasteners and pins on span wire clamp.



Span Wire Hanger Assy w/ Alum Span Wire Clamp, Tri-Stud, Alum

SE-5196	-	Extender	-	Bushing	-	Stainless Upgrade	-	Coating
		06=6" Length 11=11" Length 19=19" Length 40=40" Length 48=48" Length 72=72" Length		Blank=None SB=Stainless Bushing		Blank=Galv SS=Stainless		PNC=Process No Color P__=Paint

Note:
Stainless upgrade includes stainless steel fasteners and pins on span wire clamp.

Span Wire Hanger Assy w/ Alum Span Wire Clamp, Tri-Stud, Iron Balance Adjuster & Tether, Alum

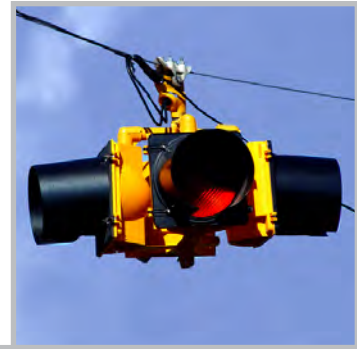
SE-5073	-	Bushing	-	Stainless Upgrade	-	Coating
		Blank=None SB=Stainless Bushing		Blank=Galv SS=Stainless		PNC=Process No Color P__=Paint

Note:
Stainless upgrade includes stainless steel fasteners and pins on span wire clamp.

Note: 1. All assemblies are supplied standard with stainless slotted washer and fasteners, with galvanized hardware on span wire clamps. Stainless upgrade available.
2. See Reference Section page v for available paint colors.



Aluminum 2-Way, 3-Way & 4-Way Span Wire Hanger Assemblies



Pelco's Span Wire mountings are available in aluminum or iron with 1-1/2" NPS or tri-stud fittings. Balance adjusters provide additional adjustment capabilities, while tether assemblies may be used to anchor the bottom of signals in windy applications.

①	②	③	① SE-3019- <input type="text"/> Bushing - <input type="text"/> Stainless Upgrade - <input type="text"/> Coating 1-1/2" NPS Span Wire Hanger ② SE-3272- <input type="text"/> - <input type="text"/> - <input type="text"/> w/ Iron Balance Adjuster ③ SE-3274- <input type="text"/> - <input type="text"/> - <input type="text"/> w/ PAL Balance Adjuster
			Blank=None Blank=Galv PNC=Process SB=Stainless SS=Stainless No Color Bushing P__=Paint

Note: For use with upper and lower arm assemblies below.
Stainless upgrade includes stainless steel fasteners and pins on span wire clamp.

Upper & Lower Arm Assy, 2-Way 16-1/2" CTC, Alum

SE-3020 Upper Arm Assy		SE-3038 - <input type="text"/> Coating
SE-3022 Lower Arm Assy		PNC=Process No Color P__=Paint

Upper & Lower Arm Assy, 3-Way 16-1/2" CTC, Alum

SE-3023 Upper Arm Assy		SE-3039 - <input type="text"/> Coating
SE-3024 Lower Arm Assy		PNC=Process No Color P__=Paint

Upper & Lower Arm Assy, 4-Way 16-1/2" CTC, Alum

SE-3025 Upper Arm Assy		SE-3040 - <input type="text"/> Coating
SE-3026 Lower Arm Assy		PNC=Process No Color P__=Paint

Note: 1. All assemblies are supplied standard with stainless slotted washer and fasteners, with galvanized hardware on span wire clamps. Stainless upgrade available.
2. See Reference Section page v for available paint colors.



FREE-SWINGING



Aluminum 2-Way, 3-Way & 4-Way Span Wire Hanger Assemblies

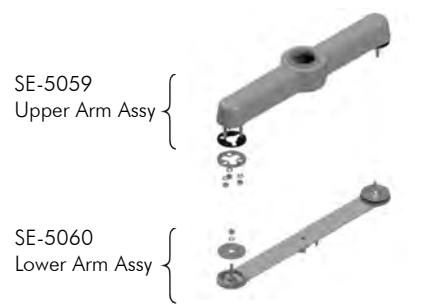
Pelco's Span Wire mountings are available in aluminum or iron with 1-1/2" NPS or tri-stud fittings. Balance adjusters provide additional adjustment capabilities, while tether assemblies may be used to anchor the bottom of signals in windy applications.



①	②	③	Bushing <input type="text"/>	Stainless Upgrade <input type="text"/>	Coating <input type="text"/>	① SE-5063- <input type="text"/> - <input type="text"/> - <input type="text"/> Tri-Stud Span Wire Hanger
			<input type="text"/>	<input type="text"/>	<input type="text"/>	② SE-5088- <input type="text"/> - <input type="text"/> - <input type="text"/> w/ Iron Balance Adjuster
			<input type="text"/>	<input type="text"/>	<input type="text"/>	③ SE-5163- <input type="text"/> - <input type="text"/> - <input type="text"/> w/ PAL Balance Adjuster

Blank=None Blank=Galv PNC=Process
 SB=Stainless SS=Stainless No Color
 Bushing P__=Paint

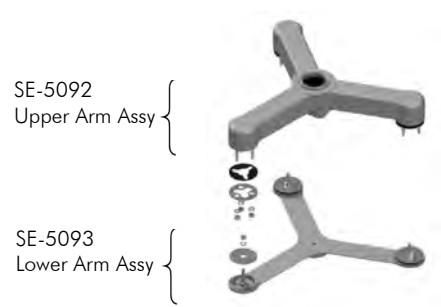
Note: For use with upper and lower arm assemblies below.
 Stainless upgrade includes stainless steel fasteners and pins on span wire clamp.



Upper & Lower Arm Assy, 2-Way 17" CTC, Cast Tri-Stud, Alum

SE-5061 -

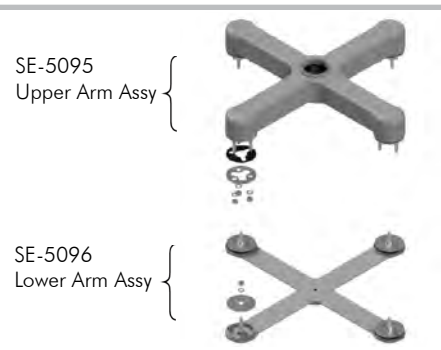
Coating
 PNC=Process No Color
 P__=Paint



Upper & Lower Arm Assy, 3-Way 17" CTC, Cast Tri-Stud, Alum

SE-5094 -

Coating
 PNC=Process No Color
 P__=Paint



Upper & Lower Arm Assy, 4-Way 17" CTC, Cast Tri-Stud, Alum

SE-5097 -

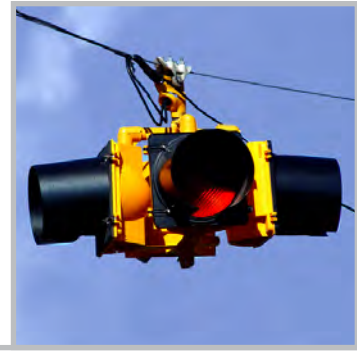
Coating
 PNC=Process No Color
 P__=Paint

Note: 1. All assemblies are supplied standard with stainless slotted washer and fasteners, with galvanized hardware on span wire clamps. Stainless upgrade available.
 2. See Reference Section page v for available paint colors.



Aluminum 5-Section Cluster Span Wire Hanger Assemblies

Pelco's Span Wire mountings are available in aluminum or iron with 1-1/2" NPS or tri-stud fittings. Balance adjusters provide additional adjustment capabilities, while tether assemblies may be used to anchor the bottom of signals in windy applications.



Cluster Assy, 5-Section 16-1/2" CTC, Cast Nipple, Alum

SE-3120 - - -

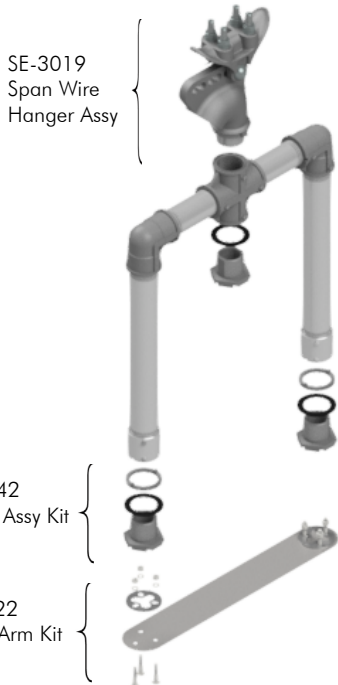
Bushing Stainless Upgrade Coating

Blank=None Blank=Galv PNC=Process No Color

SB=Stainless SS=Stainless P__=Paint

Bushing

Note:
Stainless upgrade includes stainless steel fasteners and pins on span wire clamp.



Cluster Assy, 5-Section 16-1/2" CTC, Cast Nipple, Alum

SE-3137 - - -

Bushing Stainless Upgrade Coating

Blank=None Blank=Galv PNC=Process No Color

SB=Stainless SS=Stainless P__=Paint

Bushing

Note:
Stainless upgrade includes stainless steel fasteners and pins on span wire clamp.



Note: 1. All assemblies are supplied standard with stainless slotted washer and fasteners, with galvanized hardware on span wire clamps. Stainless upgrade available.
2. See Reference Section page v for available paint colors.

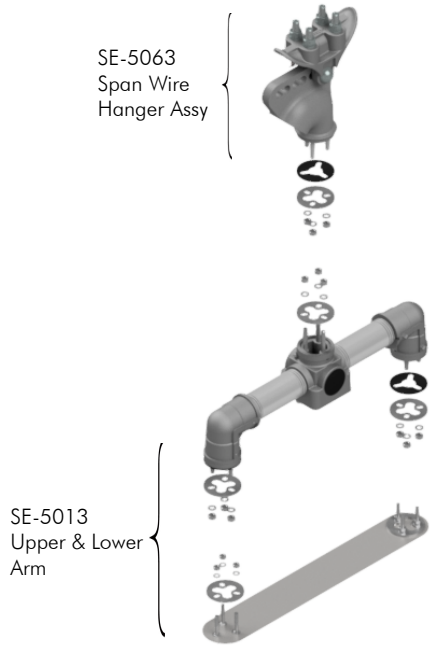


FREE-SWINGING



Aluminum 5-Section Cluster Span Wire Hanger Assemblies

Pelco's Span Wire mountings are available in aluminum or iron with 1-1/2" NPS or tri-stud fittings. Balance adjusters provide additional adjustment capabilities, while tether assemblies may be used to anchor the bottom of signals in windy applications.



Cluster Assy, 5-Section 16-1/2" CTC, Tri-Stud, Alum

SE-5166 - - -

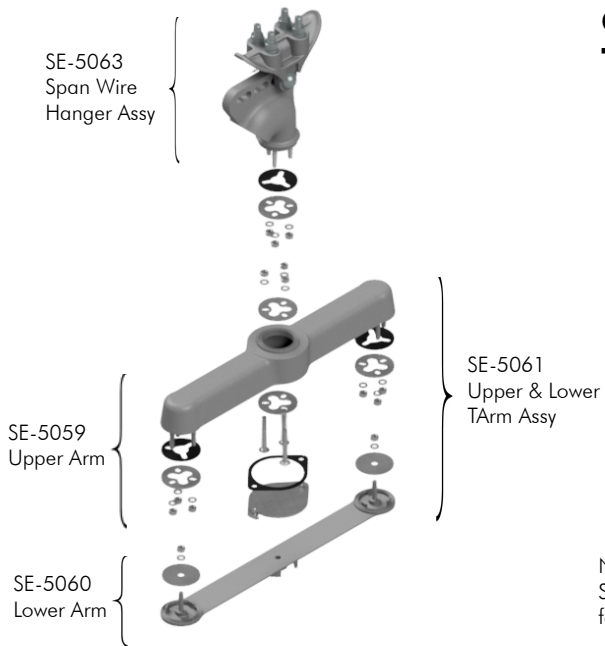
Bushing Stainless Upgrade Coating

Blank=None Blank=Galv PNC=Process No Color

SB=Stainless SS=Stainless P__=Paint

Bushing

Note:
Stainless upgrade includes stainless steel fasteners and pins on span wire clamp.



Cluster Assy, 5-Section 17" CTC, Tri-Stud, Alum

SE-5165 - - -

Bushing Stainless Upgrade Coating

Blank=None Blank=Galv PNC=Process No Color

SB=Stainless SS=Stainless P__=Paint

Bushing

Note:
Stainless upgrade includes stainless steel fasteners and pins on span wire clamp.

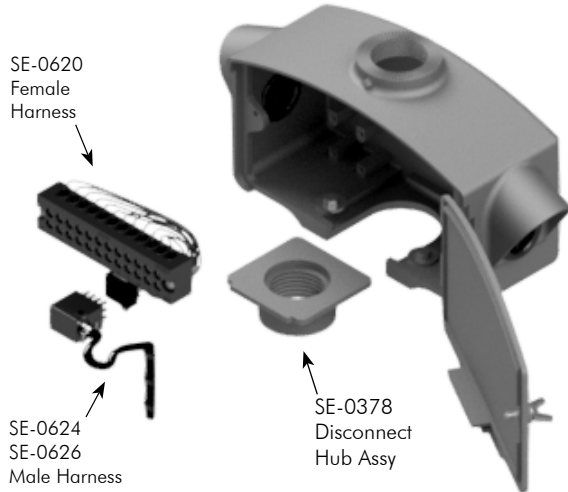
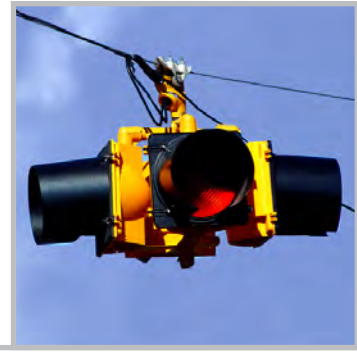


Note: 1. All assemblies are supplied standard with stainless slotted washer and fasteners, with galvanized hardware on span wire clamps. Stainless upgrade available.
2. See Reference Section page v for available paint colors.



12 Circuit Disconnect Hanger Assemblies

Pelco's Disconnect Hangers are available in 12-circuit and 18-circuit with 1-1/2" NPS threaded or slip top and 1-1/2" NPS threaded or tri-stud bottom hubs.

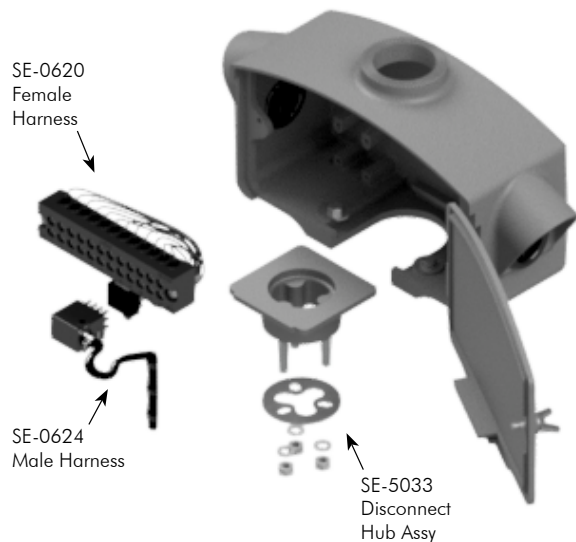


Disconnect Hanger, 12-Circuit 1-1/2" NPS Top & Bottom Hub w/ 4' Harness, Alum

SE-3073 - Coating
PNC=Process No Color
P__=Paint

Disconnect Hanger, 12-Circuit 1-1/2" NPS Top & Bottom Hub w/ 7' Harness, Alum

SE-3195 - Coating
PNC=Process No Color
P__=Paint



Disconnect Hanger, 12-Circuit 2" Slip Top & Tri-Stud Bottom Hub w/ 4' Harness, Alum

SE-5031 - Coating
PNC=Process No Color
P__=Paint

- Note: 1. All harnesses come with 18 AWG wire pre-tinned and numbered on 3" centers.
2. All assemblies are supplied standard with stainless steel slotted washers and fasteners.
3. See Reference Section page v for available paint colors.

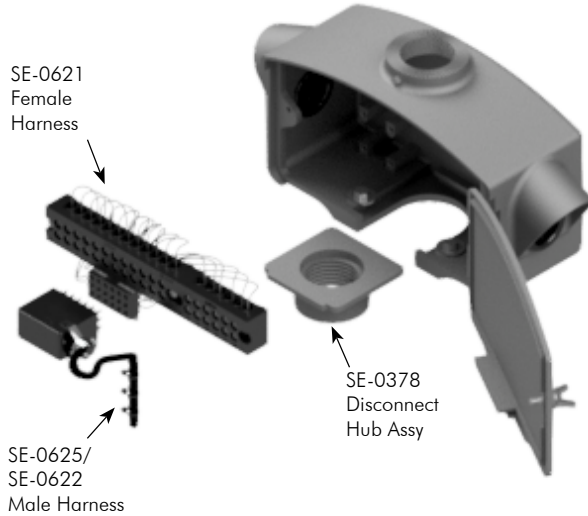


FREE-SWINGING



18 Circuit Disconnect Hanger Assemblies

Pelco's Disconnect Hangers are available in 12-circuit and 18-circuit with 1-1/2" NPS threaded or slip top and 1-1/2" NPS threaded or tri-stud bottom hubs.

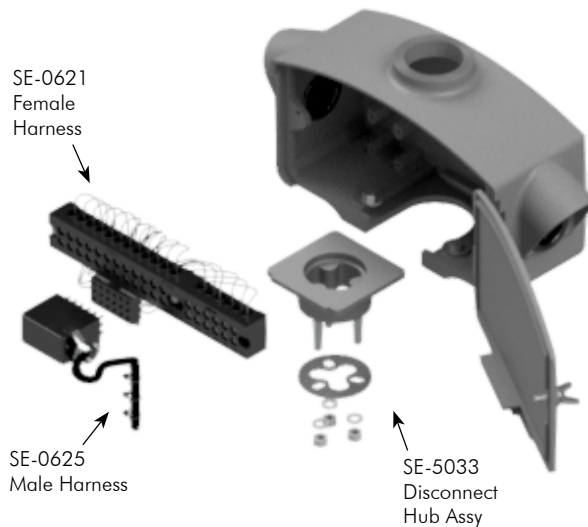


Disconnect Hanger, 18-Circuit 1-1/2" NPS Top & Bottom Hub w/ 4' Harness, Alum

SE-3077 - Coating
 PNC=Process No Color
 P__=Paint

Disconnect Hanger, 18-Circuit 1-1/2" NPS Top & Bottom Hub w/ 7' Harness

SE-3196 - Coating
 PNC=Process No Color
 P__=Paint



Disconnect Hanger, 18-Circuit 2" Slip Top & Tri-Stud Bottom Hub w/ 4' Harness, Alum

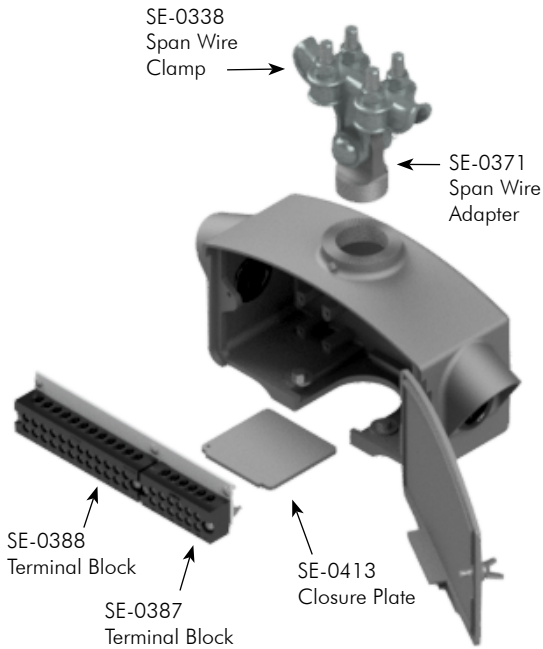
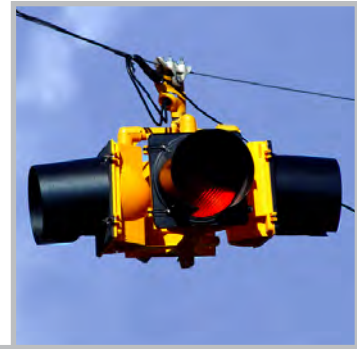
SE-5032 - Coating
 PNC=Process No Color
 P__=Paint

- Note: 1. All harnesses come with 18 AWG wire pre-tinned and numbered on 3" centers.
 2. All assemblies are supplied standard with stainless steel slotted washers and fasteners.
 3. See Reference Section page v for available paint colors.



Span Wire Terminal Compartment

Pelco's Disconnect Hangers are available in 12-circuit and 18-circuit with 1-1/2" NPS threaded or slip top and 1-1/2" NPS threaded or tri-stud bottom hubs.



Span Wire Terminal Compartment, 18-Circuit w/ Iron Hanger Assembly, Alum

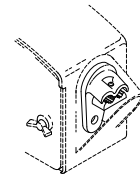
SE-3092 - -
 Stainless Upgrade Coating
 Blank=Galv PNC=Process No Color
 SS=Stainless P__=Paint

Note:
 Stainless upgrade includes stainless steel fasteners and pins on span wire clamp.

Cable Clamp Kit, 2-Cable, Alum



SE-4201 -
 Coating
 PNC=Process No Color
 P__=Paint



Note: 1. All assemblies are supplied standard with stainless slotted washer and fasteners, with galvanized hardware on span wire clamps. Stainless upgrade available.
 2. See Reference Section page v for available paint colors.



Hanger Assemblies

Various hanger assemblies are available for mounting Disconnects. Assemblies are available with or without span wire clamps, balance adjusters, extenders, and tethers, fitting any specific requirement.



Hanger Assy, Span Wire Adapter, 1-1/2" NPS, Alum

SE-5215 - - -

Bushing Stainless Upgrade Coating

Blank=None Blank=Galv PNC=Process No Color

SB=Stainless SS=Stainless P__=Paint

Bushing

Note:
Stainless upgrade includes stainless steel fasteners and pins on span wire clamp.



SE-5123
Hardware Kit

Hanger Assy, Span Wire, Tri-Stud Balance Adjuster, Alum

SE-5216 - - -

Bushing Stainless Upgrade Coating

Blank=None Blank=Galv PNC=Process No Color

SB=Stainless SS=Stainless P__=Paint

Bushing

Note:
Stainless upgrade includes stainless steel fasteners and pins on span wire clamp.



SE-5123
Hardware Kit

Balance Assy, Tri-Stud, 3/4" Width, Alum

SE-5034 - -

Bushing Coating

Blank=None PNC=Process No Color

SB=Stainless P__=Paint

Bushing



SE-5123
Hardware Kit

Hanger Assy, Span Wire, Tri-Stud Connector, Alum

SE-5217 - - -

Bushing Stainless Upgrade Coating

Blank=None Blank=Galv PNC=Process No Color

SB=Stainless SS=Stainless P__=Paint

Bushing

Note:
Stainless upgrade includes stainless steel fasteners and pins on span wire clamp.



SE-5123
Hardware Kit

Hanger Assy, Tri-Stud, 1/2" Width, Alum

SE-5036 - -

Bushing Coating

Blank=None PNC=Process No Color

SB=Stainless P__=Paint

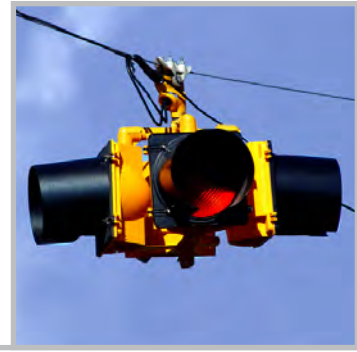
Bushing

Note: 1. All assemblies are supplied standard with stainless slotted washer and fasteners, with galvanized hardware on span wire clamps. Stainless upgrade available.
2. See Reference Section page v for available paint colors.



Hanger Assemblies

Various hanger assemblies are available for mounting Disconnects. Assemblies are available with or without span wire clamps, balance adjusters, extenders, and tethers, fitting any specific requirement.



Hanger Assy, Opticom Preemption, 1" NPT w/ Span Wire Clamp & Tether, Alum

SE-3333 - - -

Extender	Stainless Upgrade	Coating
Blank=None	Blank=Galv	PNC=Process No Color
11=11" Extender	SS=Stainless	P__=Paint
19=19" Extender		
40=40" Extender		
72=72" Extender		

Note:
Stainless upgrade includes stainless steel fasteners and pins on span wire clamp.

FREE-SWINGING



Note: 1. All assemblies are supplied standard with stainless slotted washer and fasteners, with galvanized hardware on span wire clamps. Stainless upgrade available.
2. See Reference Section page v for available paint colors.

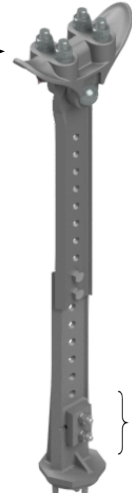


Hanger Assemblies

Various hanger assemblies are available for mounting Disconnects. Assemblies are available with or without span wire clamps, balance adjusters, extenders, and tethers, fitting any specific requirement.



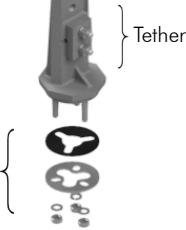
SE-0321
Span Wire
Clamp



Hanger Assy, Tri-Stud Adjustable Span Wire Clamp & Tether, Alum

SE-5118 - - -
 Bushing Stainless Upgrade Coating
 Blank=None Blank=Galv PNC=Process No Color
 SB=Stainless SS=Stainless P__=Paint
 Bushing

SE-5123
Hardware Kit

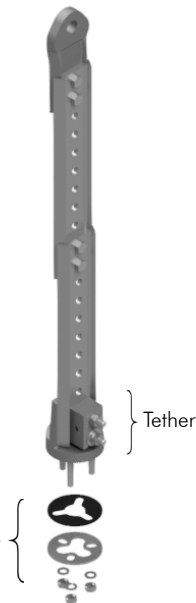


Note:
Stainless upgrade includes stainless steel fasteners and pins on span wire clamp.

Hanger Assy, Tri-Stud Adjustable Tether, Alum

SE-5055 - -
 Bushing Coating
 Blank=None PNC=Process No Color
 SB=Stainless P__=Paint
 Bushing

SE-5123
Hardware Kit



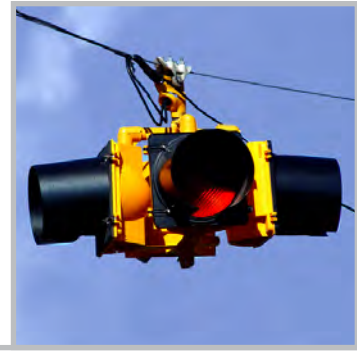
Note:
Stainless upgrade includes stainless steel fasteners and pins on span wire clamp.

Note: 1. All assemblies are supplied standard with stainless slotted washer and fasteners, with galvanized hardware on span wire clamps. Stainless upgrade available.
 2. See Reference Section page v for available paint colors.

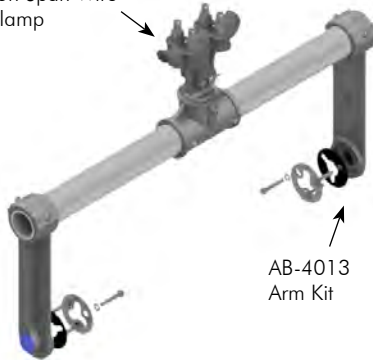


Aluminum Horizontal Span Wire Assemblies

Horizontal assemblies are available with aluminum or iron span wire clamps, wire outlet body, and CGB option for up to a 5-section signal.




SE-0338
Iron Span Wire
Clamp



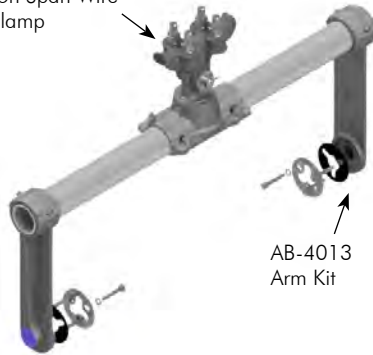
AB-4013
Arm Kit

Horizontal Span Wire Assy w/ Slip Tee, Iron Clamp, Alum

Signal Section	CGB	Stainless Upgrade	Coating
AB-0127 - <input type="text"/>	- <input type="text"/>	- <input type="text"/>	- <input type="text"/>
1=1 Sec	Blank=None	Blank=Galv	PNC=Process No Color
2=2 Sec	1=0.55"-0.65" Wire	SS=Stainless	P__=Paint
3=3 Sec	2=0.56"-0.65" Wire		
4=4 Sec			
5=5 Sec			

Note:  Stainless upgrade includes stainless steel fasteners and pins on span wire clamp.

SE-0338
Iron Span Wire
Clamp



AB-4013
Arm Kit

Horizontal Span Wire Assy w/ Tube Saddle, Iron Clamp, Alum

Signal Section	CGB	Stainless Upgrade	Coating
AB-0123 - <input type="text"/>	- <input type="text"/>	- <input type="text"/>	- <input type="text"/>
1=1 Sec	Blank=None	Blank=Galv	PNC=Process No Color
2=2 Sec	1=0.55"-0.65" Wire	SS=Stainless	P__=Paint
3=3 Sec	2=0.56"-0.65" Wire		
4=4 Sec			
5=5 Sec			

Note:  Stainless upgrade includes stainless steel fasteners and pins on span wire clamp.

FREE-SWINGING

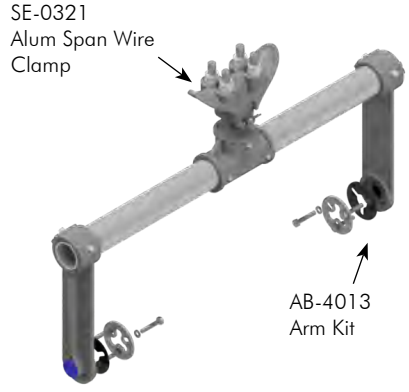


Note: 1. All assemblies are supplied standard with stainless slotted washer and fasteners, with galvanized hardware on span wire clamps. Stainless upgrade available.
2. See Reference Section page v for available paint colors.



Aluminum Horizontal Span Wire Assemblies

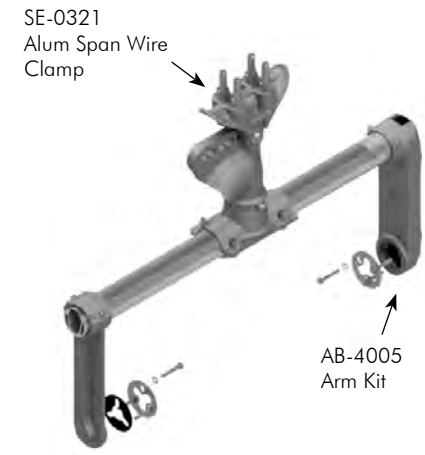
Horizontal assemblies are available with aluminum or iron span wire clamps, wire outlet body, and CGB option for up to a 5-section signal.



Horizontal Span Wire Assy w/ Slip Tee, Alum Clamp, Alum

AB-0126 -	<input type="text"/>	-	<input type="text"/>	-	<input type="text"/>	-	<input type="text"/>
	Signal Section		CGB		Stainless Upgrade		Coating
	1=1 Sec		Blank=None		Blank=Galv		PNC=Process No Color
	2=2 Sec		1=0.55"-0.65" Wire		SS=Stainless		P__=Paint
	3=3 Sec		2=0.56"-0.65" Wire				
	4=4 Sec						
	5=5 Sec						

Note: Stainless upgrade includes stainless steel fasteners and pins on span wire clamp.



Horizontal Span Wire Assy w/ Wire Outlet Body, Alum Clamp, Alum

AB-0122 -	<input type="text"/>	-	<input type="text"/>	-	<input type="text"/>	-	<input type="text"/>
	Signal Section		Bushing		Stainless Upgrade		Coating
	1=1 Sec		Blank=None		Blank=Galv		PNC=Process No Color
	2=2 Sec		SB=Stainless Bushing		SS=Stainless		P__=Paint
	3=3 Sec						
	4=4 Sec						
	5=5 Sec						

Note: Stainless upgrade includes stainless steel fasteners and pins on span wire clamp.

Note: 1. All assemblies are supplied standard with stainless slotted washer and fasteners, with galvanized hardware on span wire clamps. Stainless upgrade available.
 2. See Reference Section page v for available paint colors.



This page is intentionally left blank.

FREE-SWINGING



Iron 1-Way Hanger Assemblies

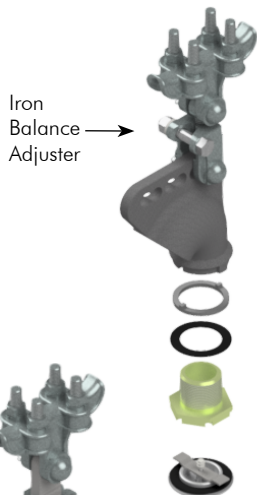
Pelco's Span Wire mountings are available in aluminum or iron with 1-1/2" NPS or tri-stud fittings. Balance adjusters provide additional adjustment capabilities, while tether assemblies may be used to anchor the bottom of signals in windy applications.



Span Wire Hanger Assy, Iron w/ Signal Closure Kit U-Bolts

SE-3139 - -
 Stainless Upgrade Coating
 Blank=Galv P__=Paint
 SB=Stainless

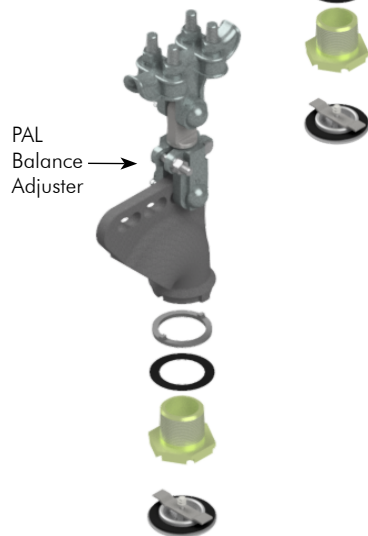
Note:
 Stainless upgrade includes stainless steel fasteners and pins on span wire clamp.



Span Wire Hanger Assy, Iron w/ Signal Closure Kit Iron Balance Adjuster

SE-3151 - -
 Stainless Upgrade Coating
 Blank=Galv P__=Paint
 SB=Stainless

Note:
 Stainless upgrade includes stainless steel fasteners and pins on span wire clamp.



Span Wire Hanger Assy, Iron w/ Signal Closure Kit PAL Balance Adjuster

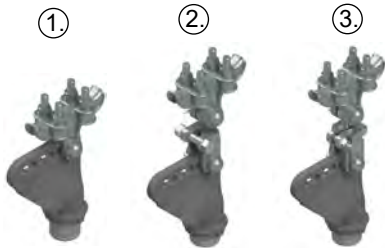
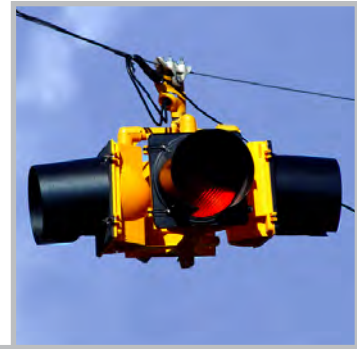
SE-3277 - -
 Stainless Upgrade Coating
 Blank=Galv P__=Paint
 SB=Stainless

Note:
 Stainless upgrade includes stainless steel fasteners and pins on span wire clamp.

Note: 1. All assemblies are supplied standard with stainless slotted washer and fasteners, with galvanized hardware on span wire clamps. Stainless upgrade available.
 2. See Reference Section for available paint colors.

Iron 2-Way, 3-Way & 4-Way Span Wire Hanger Assemblies

Pelco's Span Wire mountings are available in aluminum or iron with 1-1/2" NPS or tri-stud fittings. Balance adjusters provide additional adjustment capabilities, while tether assemblies may be used to anchor the bottom of signals in windy applications.



- ① SE-3070- - **1-1/2" NPS Span Wire Hanger**
 - ② SE-3273- - **w/ Iron Balance Adjuster**
 - ③ SE-3275- - **w/ PAL Balance Adjuster**
- Stainless Upgrade Coating
Blank=Galv P__=Paint
SS=Stainless

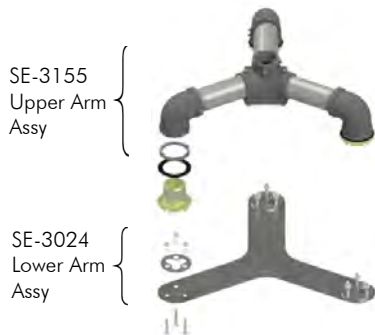
Note: For use with upper and lower arm assemblies below.
Stainless upgrade includes stainless steel fasteners and pins on span wire clamp.



Upper & Lower Arm Assy, 2-Way 16-1/2" CTC Iron

SE-3153 Upper Arm Assy
SE-3022 Lower Arm Assy

SE-3154 - Coating
P__=Paint



Upper & Lower Arm Assy, 3-Way 16-1/2" CTC Iron

SE-3155 Upper Arm Assy
SE-3024 Lower Arm Assy

SE-3156 - Coating
P__=Paint



Upper & Lower Arm Assy, 4-Way 16-1/2" CTC Iron

SE-3157 Upper Arm Assy
SE-3026 Lower Arm Assy

SE-3158 - Coating
P__=Paint

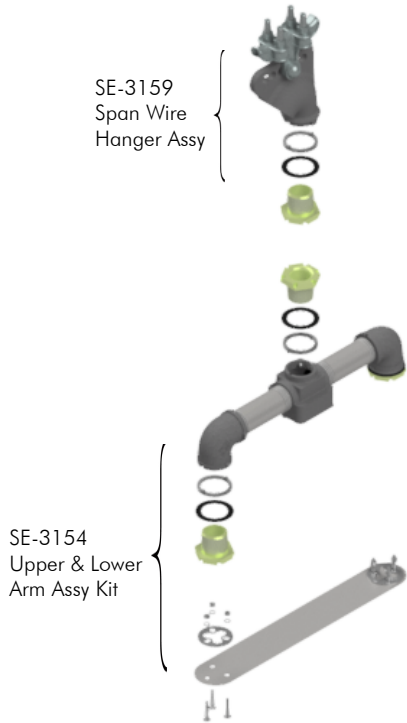
Note: 1. All assemblies are supplied standard with stainless slotted washer and fasteners, with galvanized hardware on span wire clamps. Stainless upgrade available.
2. See Reference Section page v for available paint colors.



FREE-SWINGING
pelco PELCO PRODUCTS, INC.

Iron 5-Section Cluster Span Wire Hanger Assemblies

Pelco's Span Wire mountings are available in aluminum or iron with 1-1/2" NPS or tri-stud fittings. Balance adjusters provide additional adjustment capabilities, while tether assemblies may be used to anchor the bottom of signals in windy applications.



Cluster Assy, 5-Section 16-1/2" CTC Iron

SE-3160 - -
 Stainless Upgrade Coating
 Blank=Galv P__=Paint
 SS=Stainless



Note:
 Stainless upgrade includes stainless steel fasteners and pins on span wire clamp.



Cluster Assy, 5-Section 16-1/2" CTC Iron

SE-3161 - -
 Stainless Upgrade Coating
 Blank=Galv P__=Paint
 SS=Stainless



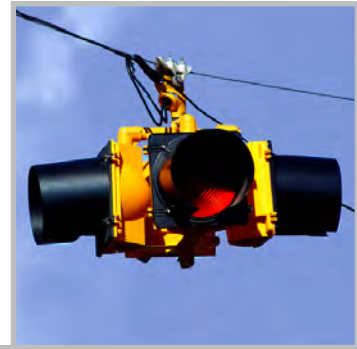
Note:
 Stainless upgrade includes stainless steel fasteners and pins on span wire clamp.

Note: 1. All assemblies are supplied standard with stainless slotted washer and fasteners, with galvanized hardware on span wire clamps. Stainless upgrade available.
 2. See Reference Section page v for available paint colors.



Signal Accessories

Pelco offers various accessories for span wire mounted signs and signals. See Section T14 Components for additional products available.



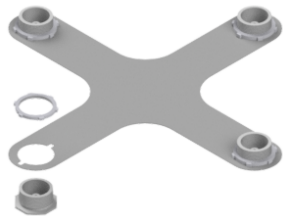
Lower Arm Assy, 2-Way, 16-1/2" CTC, Steel

SE-3162 - Coating
P__=Paint



Lower Arm Assy, 3-Way, 16-1/2" CTC, Steel

SE-3163 - Coating
P__=Paint



Lower Arm Assy, 4-Way, 16-1/2" CTC, Steel

SE-3164 - Coating
P__=Paint



Tether Assembly, Extended Bottom, Alum

SE-3307 - Length - Coating
6=6"
18=18"
28=28"
PNC=Process No Color
P__=Paint



SE-3055-ZN1 Tether Assembly, Steel Break-Away, 1-1/2" Pipe



SE-3293-PNC Tether Assembly, Alum Non-Break-Away

Note: 1. All assemblies are supplied standard with stainless slotted washer and fasteners.
2. See Reference Section pave v for available paint colors.



Signal Accessories

Pelco offers various accessories for span wire mounted signs and signals. See Section T14 Components for additional products available.

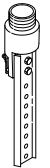


Tether Assembly, 1-1/2" Break-Away, Alum



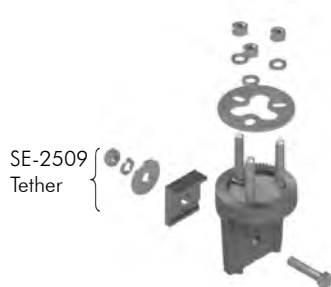
SE-2509
Tether

SE-5121 - -
 Extender Coating
 Blank=No Extender PNC=Process No Color
 11=11" P__=Paint
 19=19"
 72=72"



Note:
Available with or
without Extender Bar.

Tether Assembly, Tri-Stud Break-Away, Alum



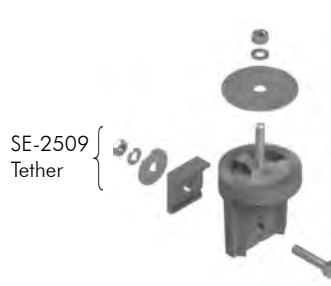
SE-2509
Tether

SE-5050 - -
 Extender Coating
 Blank=No Extender PNC=Process No Color
 11=11" P__=Paint
 19=19"
 72=72"



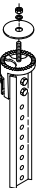
Note:
Available with or
without Extender Bar.

Tether Assembly, Single-Stud Break-Away, Alum



SE-2509
Tether

SE-5058 - -
 Extender Coating
 Blank=No Extender PNC=Process No Color
 11=11" P__=Paint
 19=19"
 72=72"



Note:
Available with or
without Extender Bar.

Extender Bar, Aluminum



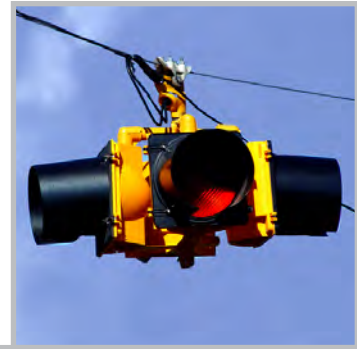
SE-0507 - -
 Length Coating
 11=11" PNC=Process No Color
 19=19" P__=Paint
 40=40"
 72=72"

Note: 1. All assemblies are supplied standard with stainless slotted washer and fasteners.
 2. See Reference Section page v for available paint colors.



Signal Accessories

Pelco offers various accessories for span wire mounted signs and signals. See Section T14 Components for additional products available.



Signal Spacer Kit w/ Aluminum Nipple, Alum Lockring, Alum Cast Nipple

SE-3306 - -
Nipple Length PNC=Process No Color
P__=Paint

Signal Spacer Kit w/ Steel Nipple, Brass Lockring, Iron Cast Nipple

SE-3302 - - -
Nipple Length LCN=Long Cast Nipple P__=Paint



Signal Spacer Kit w/ Aluminum Nipple, Tri-Stud

SE-5218 - -
Length Coating
06=3-1/4" Nipple P__=Paint
12=9-1/4" Nipple
14=11-1/4" Nipple
22=19-1/4" Nipple
28=25-1/4" Nipple



SM-0906-ZN2 Opticom Cable Hanger, 1/2" Wire, 7/16"-14 x 3/4"-14 NPT, Iron, Zinc 2



SE-4028-ZN1 CGB 3/4", .55"-.65" Wire Range, Zinc 1

SE-0490-ZN1 CGB, 3/4", .625"-.75" Wire Range, Zinc 1

SE-4216-ZN1 CGB, 1", .55"-.625" Wire Range, Zinc 1

Note: 1. All assemblies are supplied standard with stainless slotted washer and fasteners.
 2. See Reference Section page v for available paint colors.



Span Wire Hardware Kits

FREE-SWINGING



SE-5123-SS **Tri-Stud Hardware Kit w/ Gasket, 5/16"-18
Stainless Slotted Washer & Stainless Hardware**



SE-5122-SS **Tri-Stud Hardware Kit w/o Gasket, 5/16"-18
Stainless Slotted Washer & Stainless Hardware**



SE-5125-SS **Tri-Bolt Hardware Kit w/ Gasket,
5/16"-18 x 1-1/2" Hex Hd Bolts
Stainless Slotted Washer & Stainless Hardware**



SE-5126-SS **Tri-Bolt Hardware Kit w/o Gasket,
5/16"-18 x 1-1/2" Hex Hd Bolts
Stainless Slotted Washer & Stainless Hardware**

Note: 1. All kits are supplied standard with stainless steel slotted washers and fasteners.
2. See Section T14 for additional components available.



Span Wire Hardware Kits



SE-4112-SS

**Signal to Signal Mounting Kit,
5/16"-18 x 2-1/2" Carriage Bolts
Stainless Slotted Washer & Stainless Hardware**



SE-3282-SS

**Plumbizer Hardware Kit,
5/16"-18 x 3-1/2" Carriage Bolts
Stainless Slotted Washer & Stainless Hardware**



SE-4111-SS

**Tri-Bolt Hardware Kit w/ Gasket,
1/4"-20 x 1-1/2" Hex Hd Bolts
Stainless Slotted Washer & Stainless Hardware**



SE-3227-SS

**Lower Assembly Kit,
1/4"-20 x 1-1/2" Carriage Bolts
Stainless Slotted Washer & Stainless Hardware**



SE-5064-SS

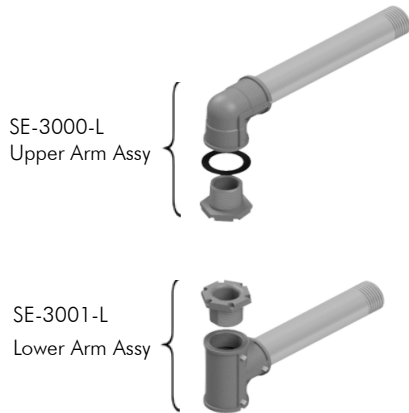
**Single-Stud Hardware Kit, 5/16"-18
Stainless Washer & Stainless Hardware**

Note: 1. All kits are supplied standard with stainless steel slotted washers and fasteners.
2. See Section T14 for additional components available.



Aluminum 1-Way Side-of-Pole with Cast Nipples

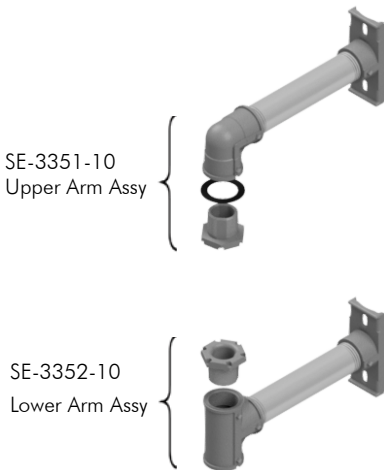
Pelco's Side-of-Pole assemblies are designed to mount traffic and pedestrian signals on the side of traffic signal poles using an upper and lower arm. Available in aluminum or iron, and 1-1/2" NPS, tri-bolt, or tri-stud, and a vast array of hubs to accommodate both 1-way or 2-way signal configurations.



1-Way Upper & Lower Arm Assy, Alum

SE-3036	-	<input type="text"/>	-	<input type="text"/>
		Nipple Length		Coating
		06=6"		PNC=Process No Color
		08=8"		P__=Paint
		10=10"		
		12=12"		
		14=14"		

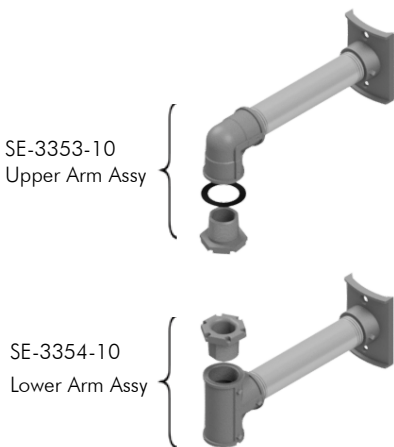
Note:
Standard nipple length for traffic signal is 10" and pedestrian signal is 12".
For available hub plates see T14 Components section.



1-Way Upper & Lower Arm Assy, Universal Hub Plates, Alum

SE-3215	-	<input type="text"/>	-	<input type="text"/>
		Nipple Length		Coating
		10=10"		PNC=Process No Color
		12=12"		P__=Paint

Note:
Standard nipple length for traffic signal is 10" and pedestrian signal is 12".



1-Way Upper & Lower Arm Assy, Large Pole Hub Plates, Alum

SE-3148	-	<input type="text"/>	-	<input type="text"/>
		Nipple Length		Coating
		10=10"		PNC=Process No Color
		12=12"		P__=Paint

Note:
Standard nipple length for traffic signal is 10" and pedestrian signal is 12".

Note: 1. All assemblies are supplied standard with stainless steel fasteners.
2. See Reference Section page v for available paint colors.

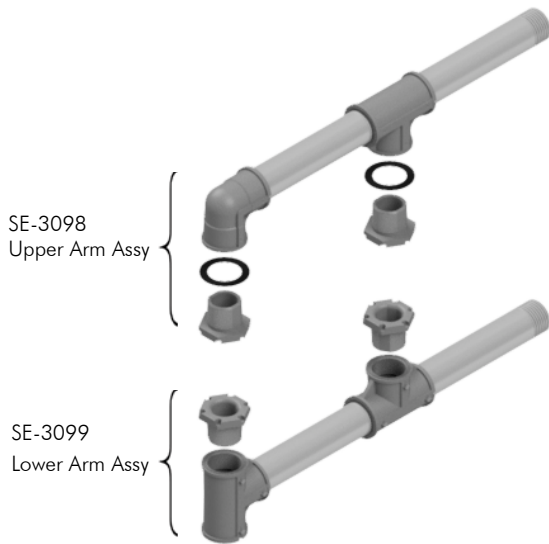


This page is intentionally left blank.



Aluminum 2-Way Side-of-Pole with Cast Nipples

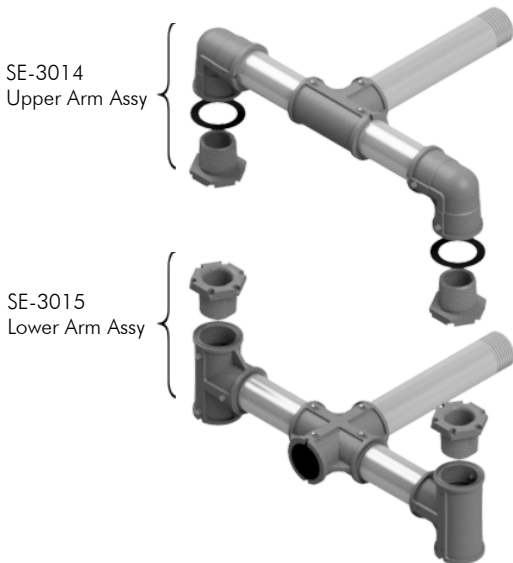
Pelco's Side-of-Pole assemblies are designed to mount traffic and pedestrian signals on the side of traffic signal poles using an upper and lower arm. Available in aluminum or iron, and 1-1/2" NPS, tri-bolt, or tri-stud, and a vast array of hubs to accommodate both 1-way or 2-way signal configurations.



2-Way Upper & Lower Tandem Arm Assy, 10" Nipples, Alum

SE-3100 - Coating
 PNC=Process No Color
 P__=Paint

Note:
 For available hub plates see T14 Components section.



2-Way Upper & Lower Arm Assy, 16-1/2" CTC, Alum

SE-3075 - Coating
 PNC=Process No Color
 P__=Paint

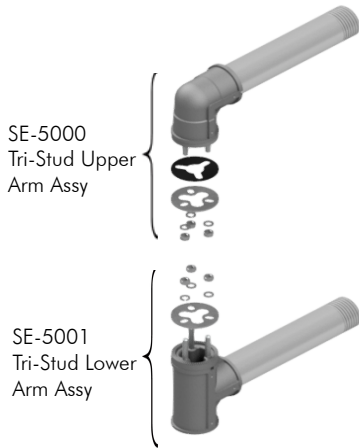
Note:
 For available hub plates see T14 Components section.

Note: 1. All assemblies are supplied standard with stainless steel fasteners.
 2. See Reference Section page v for available paint colors.



Aluminum 1 & 2-Way Side-of-Pole, Tri-Stud

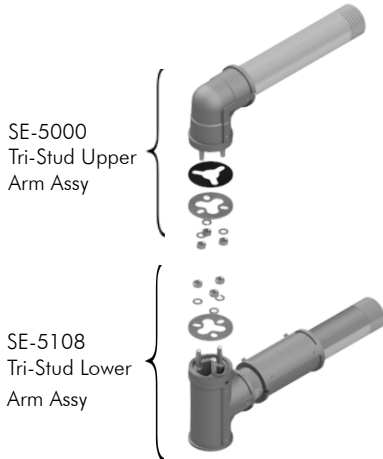
Pelco's Side-of-Pole assemblies are designed to mount traffic and pedestrian signals on the side of traffic signal poles with an upper and lower arm. Available in aluminum or iron, and 1-1/2" NPS, tri-bolt, or tri-stud, and a vast array of hubs to accommodate both 1-way or 2-way signal configurations.



1-Way Upper & Lower Arm Assy, 10" Nipples, Alum

SE-5002 - -
 Nipple Length Coating
 10=10" PNC=Process No Color
 12=12" P__=Paint

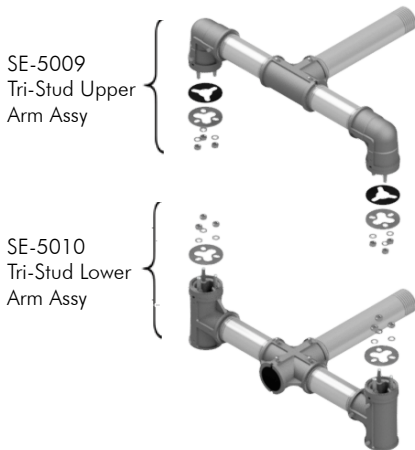
Note:
 Standard nipple length for traffic signal is 10" and pedestrian signal is 12".
 For available hub plates see T14 Components section.



1-Way Upper & Lower Arm Assy, 10" Nipples w/ Adjustable Lower Arm Alum

SE-5109 -
 Coating
 PNC=Process No Color
 P__=Paint

Note:
 For available hub plates see T14 Components section.



2-Way Upper & Lower Arm Assy, 16-1/2" CTC, Alum

SE-5011 -
 Coating
 PNC=Process No Color
 P__=Paint

Note:
 For available hub plates see T14 Components section.

Note: 1. All assemblies are supplied standard with stainless steel slotted washer and fasteners.
 2. See Reference Section page v for available paint colors.

SIDE-OF-POLE



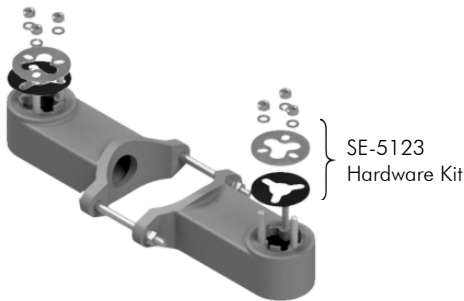
Aluminum Side-of-Pole

Pelco's Side-of-Pole assemblies are designed to mount traffic and pedestrian signals on the side of traffic signal poles with an upper and lower arm. Available in aluminum or iron, and 1-1/2" NPS, tri-bolt, or tri-stud, and a vast array of hubs to accommodate both 1-way or 2-way signal configurations.



1-Way Tri-Stud for 8" & 12" Signals, Alum for 4-1/2" OD Pole

SE-0567 - Coating
 PNC=Process No Color
 P__=Paint



2-Way Tri-Stud for 8" & 12" Signals, Alum for 4-1/2" OD Pole

SE-5186 - Coating
 PNC=Process No Color
 P__=Paint



1-Way Tri-Bolt for 8" Signals, Alum for 4-1/2" OD Pole

SE-5053 - Coating
 PNC=Process No Color
 P__=Paint



1-Way Tri-Bolt for 8" Signals, Alum for 2-7/8" to 3-1/2" OD Pole

SE-5054 - Coating
 PNC=Process No Color
 P__=Paint

Note: 1. All assemblies are supplied standard with stainless steel slotted washer and fasteners.
 2. See Reference Section page v for available paint colors.



Aluminum Side-of-Pole

Pelco's Side-of-Pole assemblies are designed to mount traffic and pedestrian signals on the side of traffic signal poles with an upper and lower arm. Available in aluminum or iron, and 1-1/2" NPS, tri-bolt, or tri-stud, and a vast array of hubs to accommodate both 1-way or 2-way signal configurations.



1-Way Hub Assy, 1-1/2" NPS, Alum for 4-1/2" OD Pole



SE-3093 -
Coating
PNC=Process No Color
P__=Paint

2-Way Hub Assy, 1-1/2" NPS, Alum for 4-1/2" OD Pole



SE-3094 -
Coating
PNC=Process No Color
P__=Paint

1-Way Hub Assy, 1-1/2" NPS, Alum for 2-7/8" to 3-1/2" OD Pole



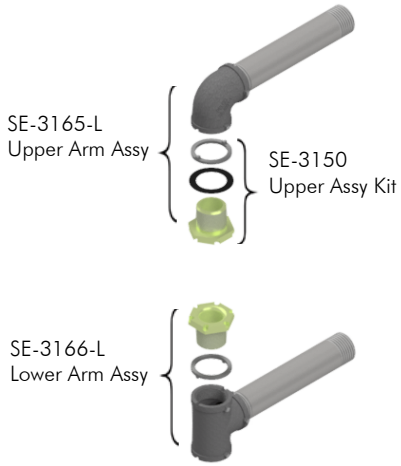
SE-3216 -
Coating
PNC=Process No Color
P__=Paint

Note: 1. All assemblies are supplied standard with stainless steel slotted washer and fasteners.
2. See Reference Section page v for available paint colors.



Iron 1-Way Side-of-Pole with Cast Nipples

Pelco's Side-of-Pole assemblies are designed to mount traffic and pedestrian signals on the side of traffic signal poles with an upper and lower arm. Available in aluminum or iron, and 1-1/2" NPS, tri-bolt, or tri-stud, and a vast array of hubs to accommodate both 1-way or 2-way signal configurations.



1-Way Upper & Lower Arm Assy, Steel Nipples, Iron

SE-3167 - -

Nipple Length Coating

06=6" P_ =Paint

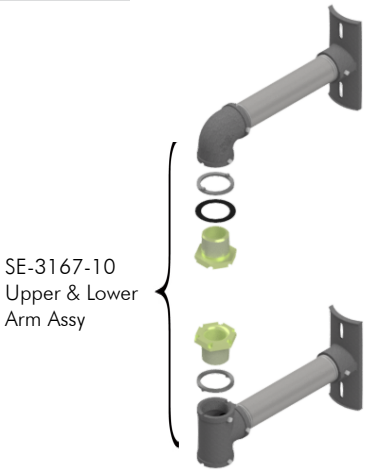
08=8"

10=10"

12=12"

14=14"

Note:
Standard nipple length for traffic signal is 10" and pedestrian signal is 12".
For available hub plates see T14 Components section.



1-Way Upper & Lower Arm Assy, 10" Steel Nipples & Iron Hub

SE-3309 -

Coating

P_ =Paint

Note:
Standard nipple length for traffic signal is 10" and pedestrian signal is 12".
For available hub plates see T14 Components section.

Note: 1. All assemblies are supplied standard with stainless steel fasteners.
2. See Reference Section v for available paint colors.

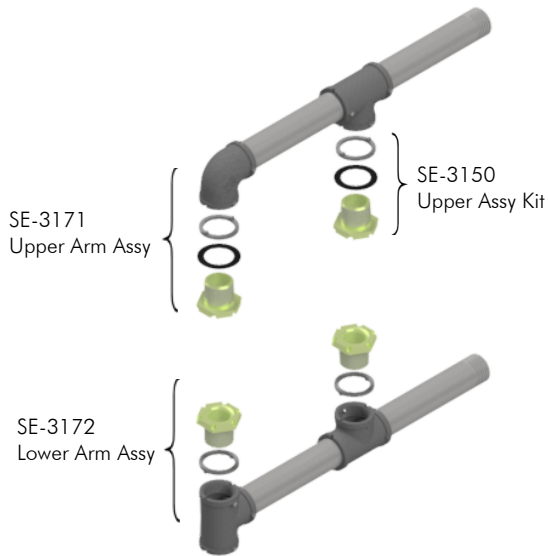


Iron 2-Way Side-of-Pole with Cast Nipples

Pelco's Side-of-Pole assemblies are designed to mount traffic and pedestrian signals on the side of traffic signal poles with an upper and lower arm. Available in aluminum or iron, and 1-1/2" NPS, tri-bolt, or tri-stud, and a vast array of hubs to accommodate both 1-way or 2-way signal configurations.



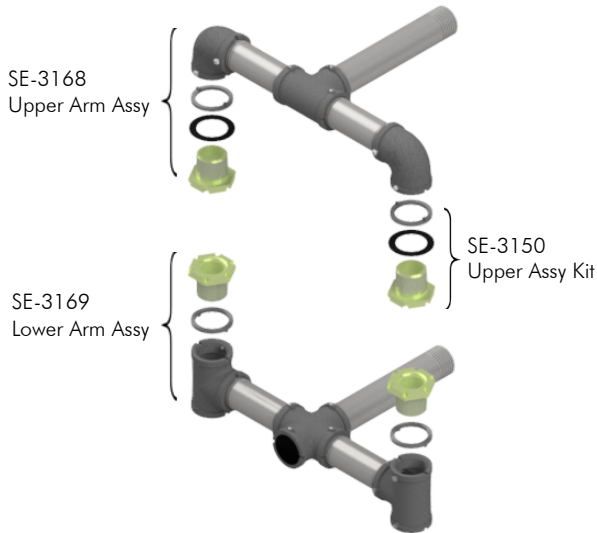
2-Way Upper & Lower Tandem Arm Assy, 10" Steel Nipples, Iron



SE-3173 - Coating
 PNC=Process No Color
 P__=Paint

Note:
 For available hub plates see Components page T14-17 through T14-20.

2-Way Upper & Lower Arm Assy, 16-1/2" CTC, Steel Nipples, Iron



SE-3170 - Coating
 PNC=Process No Color
 P__=Paint

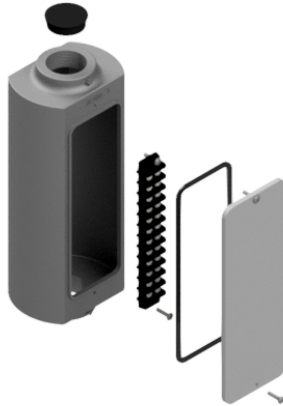
Note:
 For available hub plates see Components page T14-17 through T14-20.

Note: 1. All assemblies are supplied standard with stainless steel fasteners.
 2. See Reference Section v for available paint colors.



Terminal Compartments Aluminum

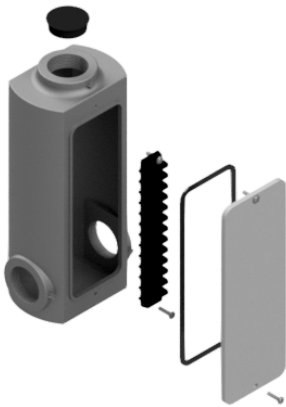
Pelco's aluminum Terminal Compartments are available with a flat back or curved to fit onto the side of a pole. In-line and flat back Terminal Compartments are supplied with a 12-circuit terminal strip and an ABS plastic door.



Terminal Compartment Assy, In-Line Flat Back, Top & Bottom Hubs, Alum

SE-3101 - Coating
 PNC=Process No Color
 P__=Paint

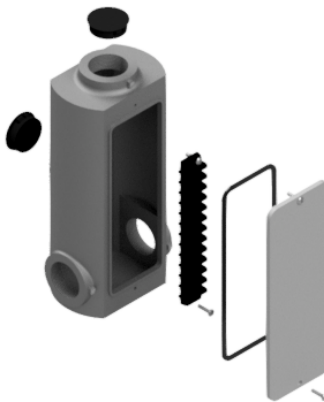
Note:
 Plastic door standard, aluminum door available.



Terminal Compartment Assy, 2-Way Flat Back, Alum

SE-3083 - Coating
 PNC=Process No Color
 P__=Paint

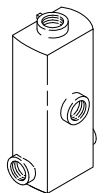
Note:
 Plastic door standard, aluminum door available.



Terminal Compartment Assy, 2-Way Flat Back, Rear Hub, Alum

SE-3084 - Coating
 PNC=Process No Color
 P__=Paint

Note:
 Plastic door standard, aluminum door available.



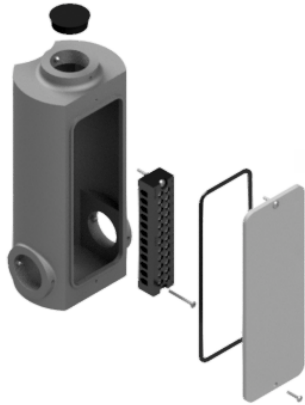
Rear View

- Note: 1. All assemblies are supplied standard with stainless steel fasteners.
 2. Terminal Compartments supplied standard with plastic door, aluminum door available.
 3. See Reference Section v for available paint colors.



Terminal Compartments Aluminum

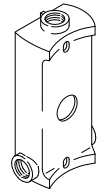
Pelco's aluminum Terminal Compartments are available with a flat back or curved to fit onto the side of a pole. Saddleback Terminal Compartments are supplied with a 12-circuit terminal block and an ABS plastic door.



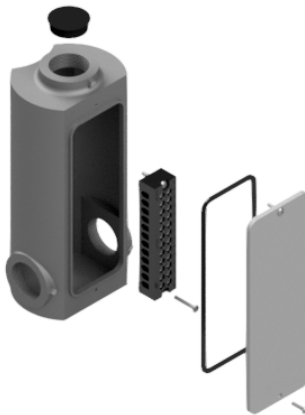
Terminal Compartment Assy, 2-Way Saddleback w/ Cable Entrance, Alum

SE-3081 - Coating
 PNC=Process No Color
 P__=Paint

Note:
Plastic door standard, aluminum door available.



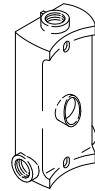
Rear View



Terminal Compartment Assy, 2-Way Saddleback w/ Cable Guide & Mounting Holes, Alum

SE-3078 - Coating
 PNC=Process No Color
 P__=Paint

Note:
Plastic door standard, aluminum door available.



Rear View

SIDE-OF-POLE

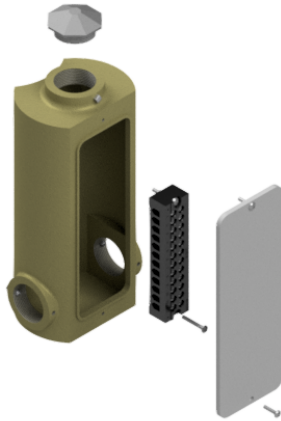


- Note: 1. All assemblies are supplied standard with stainless steel fasteners.
 2. Terminal Compartments supplied standard with plastic door, aluminum door available.
 3. See Reference Section v for available paint colors.



Terminal Compartments Bronze & Iron

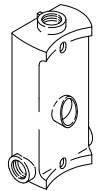
Pelco's bronze and iron Terminal Compartments are available with a curved back to fit onto the side of a pole. Saddleback Terminal Compartments are supplied with a 12-circuit terminal block and an ABS plastic door.



Terminal Compartment Assy, 2-Way Saddleback w/ Cable Guide & Mounting Holes, Bronze

SE-4418 -

Coating
 PNC=Process No Color
 P__=Paint



Note:
Plastic door standard, aluminum door available.

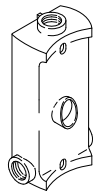
Rear View



Terminal Compartment Assy, 2-Way Saddleback w/ Cable Guide & Mounting Holes, Iron

SE-3330 -

Coating
 GLV=Galvanized
 P__=Paint



Note:
Plastic door standard, aluminum door available.

Rear View

- Note: 1. All assemblies are supplied standard with stainless steel fasteners.
 2. Terminal Compartments supplied standard with plastic door, aluminum door available.
 3. See Reference Section v for available paint colors.



This page is intentionally left blank.

SIDE-OF-POLE

pelco
PELCO PRODUCTS, INC.



Aluminum Slip Fitter Assemblies, Cast Nipple

Pelco's Post Top Slip Fitters are available in aluminum, bronze, and iron, 1-1/2" NPS, Tri-Bolt or Tri-Stud. Post Top Terminal Compartments are also available in aluminum, bronze, and iron and are supplied with a 12-circuit terminal strip or block.



SE-3054
Signal Closure Kit



**Post Top Assy, 1-Way Slip Fitter, Alum
for 2-7/8" OD Pole
Cast Nipple**

SE-3279 -
Coating
PNC=Process No Color
P__=Paint



SE-3003
Signal Mounting Kit



**Post Top Assy, 1-Way Offset Slip Fitter, Alum
for 4-1/2" OD Pole
Cast Nipple**

SE-3310 -
Coating
PNC=Process No Color
P__=Paint



SE-3003
Signal Mounting Kit



**Post Top Assy, 1-Way Slip Fitter, Alum
for 4-1/2" OD Pole
Cast Nipple**

SE-3311 -
Coating
PNC=Process No Color
P__=Paint



SE-3003
Signal Mounting Kit



**Post Top Assy, 1-Way w/ 2-Way Slip Fitter, Alum
for 4-1/2" OD Pole
Cast Nipple**

SE-3037 -
Coating
PNC=Process No Color
P__=Paint



Note: 1. All assemblies supplied standard with stainless steel fasteners.
2. See Reference Section v for available paint colors.



Aluminum Slip Fitter Assemblies

Pelco's Post Top Slip Fitters are available in aluminum, bronze, and iron, 1-1/2" NPS, Tri-Bolt or Tri-Stud. Post Top Terminal Compartments are also available in aluminum, bronze, and iron and are supplied with a 12-circuit terminal strip or block. Designed to fit a 4-1/2" OD pole.

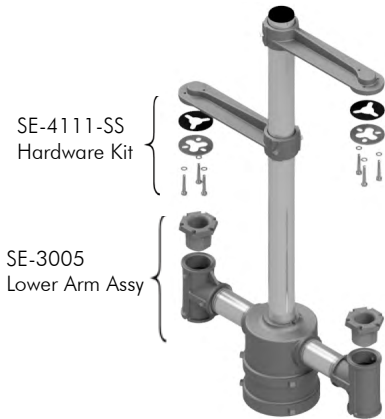


Post Top Assy, 1-Way, Alum for 4-1/2" OD Pole Tri-Bolt & Cast Nipple

SE-3012 - -

Signal Section Coating

1=1 Sec PNC=Process No Color
2=2 Sec P__=Paint
3=3 Sec
4=4 Sec
5=5 Sec

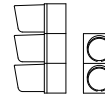


Post Top Assy, 2-Way Variable, Alum for 4-1/2" OD Pole Tri-Bolt & Cast Nipple

SE-3116 - -

Signal Section Coating

1=1 Sec PNC=Process No Color
2=2 Sec P__=Paint
3=3 Sec
4=4 Sec
5=5 Sec

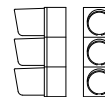


Slip Fitter Assy, 2-Way 16-1/2" CTC, Alum for 4-1/2" OD Pole Cast Nipple

SE-3089 -

Coating

PNC=Process No Color
P__=Paint



Note: 1. All assemblies are supplied standard with stainless steel slotted washer and fasteners.
2. See Reference Section v for available paint colors.



RIGID POST TOP

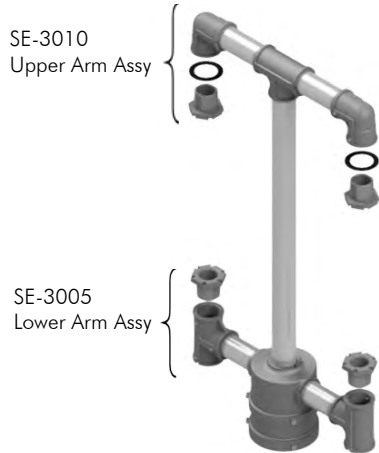


Aluminum Slip Fitter Assemblies, Cast Nipple

Pelco's Post Top Slip Fitters are available in aluminum, bronze, and iron, 1-1/2" NPS, Tri-Bolt or Tri-Stud. Post Top Terminal Compartments are also available in aluminum, bronze, and iron and are supplied with a 12-circuit terminal strip or block. Designed to fit a 4-1/2" OD pole.



RIGID POST TOP

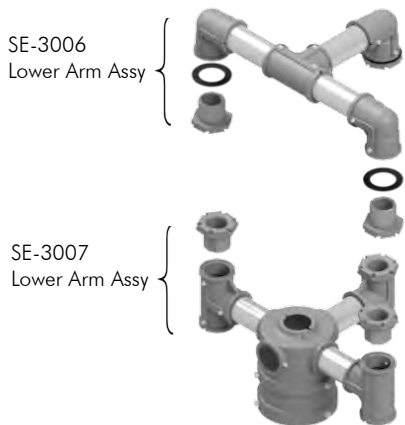
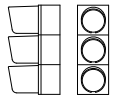


Post Top Assy, 2-Way 16-1/2" CTC, Alum for 4-1/2" OD Pole, Cast Nipple

SE-3053 - -

Signal Section Coating

1=1 Sec PNC=Process No Color
2=2 Sec P__=Paint
3=3 Sec
4=4 Sec
5=5 Sec

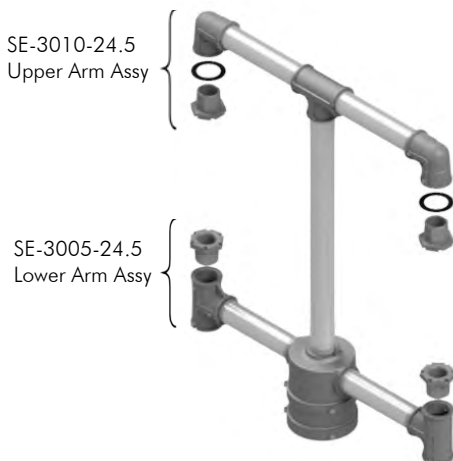
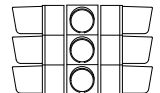


Post Top Assy, 3-Way 16-1/2" CTC, Alum for 4-1/2" OD Pole, Cast Nipple

SE-3090 -

Coating

PNC=Process No Color
P__=Paint



Post Top Assy, 2-Way ICC Ped 24-1/2" CTC, Alum for 4-1/2" OD Pole, Cast Nipple

SE-3257 -

Coating

PNC=Process No Color
P__=Paint



Note: 1. All assemblies are supplied standard with stainless steel slotted washer and fasteners.
2. See Reference Section v for available paint colors.



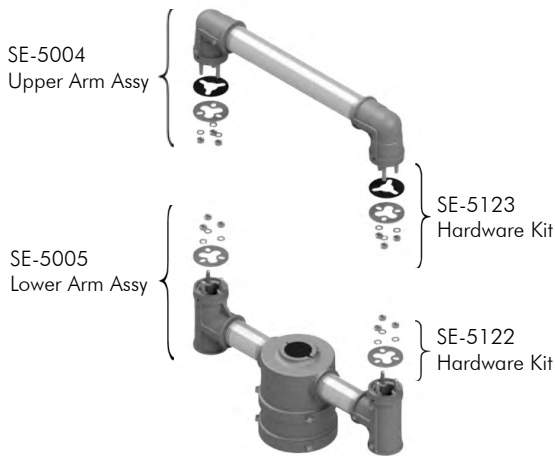
Aluminum Slip Fitter Assemblies, Tri-Stud

Pelco's Post Top Slip Fitters are available in aluminum, bronze, and iron, 1-1/2" NPS, Tri-Bolt or Tri-Stud. Post Top Terminal Compartments are also available in aluminum, bronze, and iron and are supplied with a 12-circuit terminal strip or block. Designed to fit a 4-1/2" OD pole.



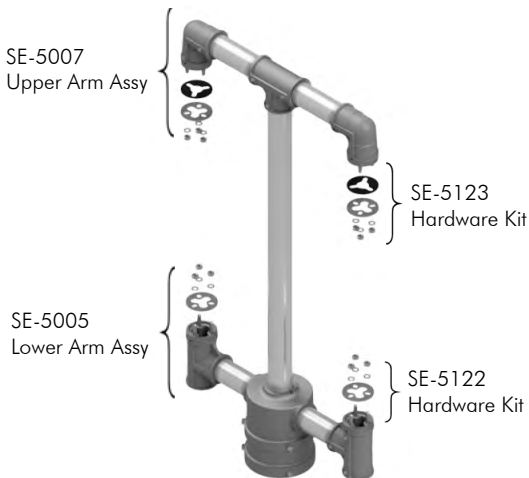
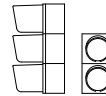
Post Top Assy, 1-Way, Alum for 4-1/2" OD Pole Tri-Stud

SE-5016 - Coating
PNC=Process No Color
P__=Paint



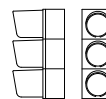
Post Top Assy, 2-Way 16-1/2" CTC, Alum for 4-1/2" OD Pole Tri-Stud

SE-5006 - Coating
PNC=Process No Color
P__=Paint



Post Top Assy, 2-Way 16-1/2" CTC, Alum for 4-1/2" OD Pole Tri-Stud

SE-5008 - - Coating
Signal Section
1=1 Sec
2=2 Sec
3=3 Sec
4=4 Sec
5=5 Sec
PNC=Process No Color
P__=Paint



Note: 1. All assemblies are supplied standard with stainless steel slotted washer and fasteners.
2. See Reference Section v for available paint colors.



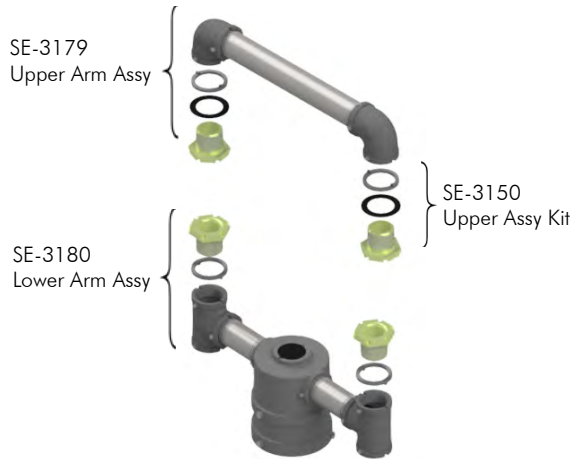
Iron Slip Fitter Assemblies, Cast Nipple

Pelco's Post Top Slip Fitters are available in aluminum, bronze, and iron, 1-1/2" NPS, Tri-Bolt or Tri-Stud. Post Top Terminal Compartments are also available in aluminum, bronze, and iron and are supplied with a 12-circuit terminal strip or block. Designed to fit a 4-1/2" OD pole.



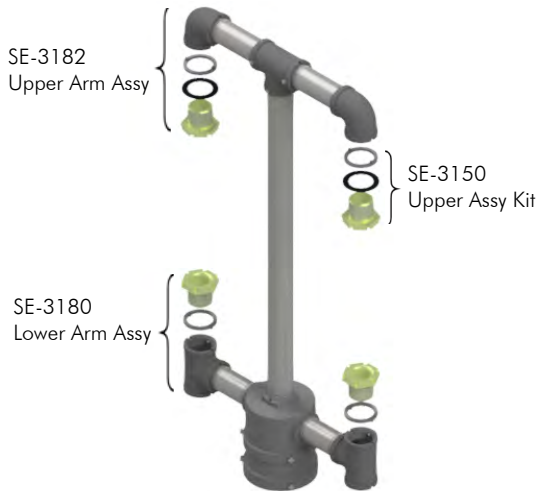
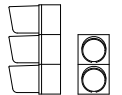
Post Top Assy, 1-Way w/ 2-Way Slip Fitter, Iron for 4-1/2" OD Pole Cast Nipple

SE-3177 - Coating
P__=Paint



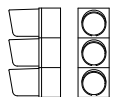
Post Top Assy, 2-Way 16-1/2" CTC, Iron for 4-1/2" OD Pole Cast Nipple

SE-3181 - Coating
P__=Paint



Post Top Assy, 2-Way 16-1/2" CTC, Iron for 4-1/2" OD Pole Cast Nipple

SE-3183 - Signal Section - Coating
1=1 Sec
2=2 Sec
3=3 Sec
4=4 Sec
5=5 Sec
P__=Paint



Note: 1. All assemblies are supplied standard with stainless steel fasteners.
2. See Reference Section v for available paint colors.



This page is intentionally left blank.

RIGID POST TOP



Slip Fitters, Alum

Pelco's aluminum Post Top Slip Fitters are available in a one-way, offset one-way, or a two, three, or four-way configuration. Designed to fit a 4-1/2" OD Pole.



Slip Fitter, 1-Way for 4-1/2" OD Pole, Alum

SE-3106 -
Coating
PNC=Process No Color
P__=Paint



Slip Fitter, 1-Way Offset for 4-1/2" OD Pole, Alum

SE-3107 -
Coating
PNC=Process No Color
P__=Paint



Slip Fitter, 1 & 2-Way for 4-1/2" OD Pole, Alum

SE-3002 -
Coating
PNC=Process No Color
P__=Paint



Slip Fitter, 3 & 4-Way for 4-1/2" OD Pole, Alum

SE-3029 -
Coating
PNC=Process No Color
P__=Paint

Note: 1. All assemblies are supplied standard with stainless steel fasteners.
2. See Reference Section v for available paint colors.



Slip Fitters, Iron

Pelco's iron Post Top Slip Fitters are available in a one, two, three, or four-way configuration. Designed to fit a 4-1/2" OD pole.



**Slip Fitter, 1-Way for 4-1/2" OD Pole, Iron
Serrated Top Port**

SE-4431 - Coating
PNC=Process No Color
P__=Paint



Slip Fitter, 1 & 2-Way for 4-1/2" OD Pole, Iron

SE-3175 - Coating
P__=Paint



Slip Fitter, 3 & 4-Way for 4-1/2" OD Pole, Iron

SE-3176 - Coating
P__=Paint

RIGID POST TOP



Note: 1. All assemblies are supplied standard with stainless steel fasteners.
2. See Reference Section v for available paint colors.



Slip Fitters, Bronze

Bronze Post Top Slip Fitters are available in a one-way, offset one-way, or a two-way configuration. Pelco's bronze slip fitters are cast with top port serrations which eliminates the need for a lockring. Designed to fit a 4-1/2" OD pole



Slip Fitter, 1-Way for 4-1/2" OD Pole, Bronze Serrated Top Port

SE-4424 - Coating
 PNC=Process No Color
 P__=Paint



Slip Fitter, 1-Way Offset for 4-1/2" OD Pole, Bronze Serrated Top Port

SE-4425 - Coating
 PNC=Process No Color
 P__=Paint



Slip Fitter, 1 & 2-Way for 4-1/2" OD Pole, Bronze Serrated Top Port

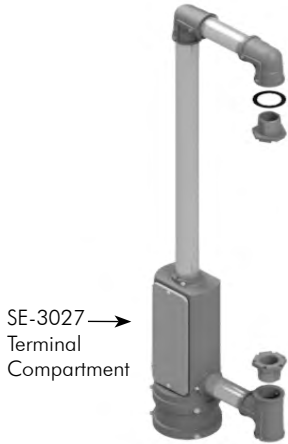
SE-4423 - Coating
 PNC=Process No Color
 P__=Paint

Note: 1. All assemblies are supplied standard with stainless steel fasteners.
 2. See Reference Section v for available paint colors.



Aluminum Terminal Compartment Assemblies

Pelco's Post Top Slip Fitters are available in aluminum, bronze, and iron, 1-1/2" NPS, Tri-Bolt or Tri-Stud. Post Top Terminal Compartments are available in aluminum or bronze and are supplied with a 12-circuit terminal strip or block. Designed to fit a 4-1/2" OD pole.

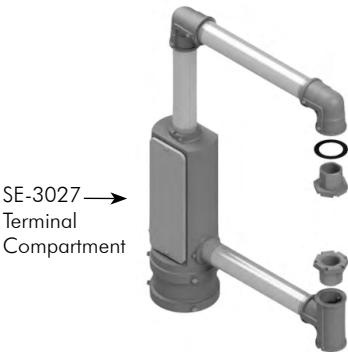


Terminal Compartment Assy, 1-Way, Alum for 4-1/2" OD Pole Cast Nipple

SE-3270 - -

Signal Section Coating

1=1 Sec PNC=Process No Color
2=2 Sec P__=Paint
3=3 Sec
4=4 Sec
5=5 Sec

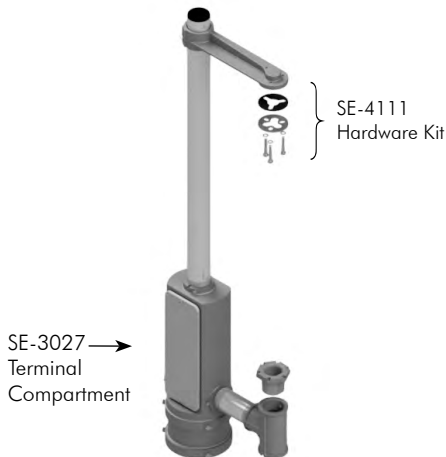


Terminal Compartment Assy, 1-Way ICC Ped, Alum for 4-1/2" OD Pole Cast Nipple

SE-3271 -

Coating

PNC=Process No Color
P__=Paint



Terminal Compartment Assy, 1-Way, Alum for 4-1/2" OD Pole Tri-Bolt & Cast Nipple

SE-3013 - -

Signal Section Coating

1=1 Sec PNC=Process No Color
2=2 Sec P__=Paint
3=3 Sec
4=4 Sec
5=5 Sec



- Note: 1. All assemblies are supplied standard with stainless steel slotted washer and fasteners.
2. Terminal Compartments supplied standard with plastic door, aluminum door available.
3. See Reference Section v for available paint colors.

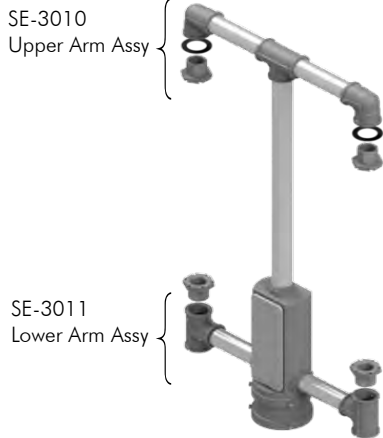


RIGID POST TOP



Aluminum Terminal Compartment Assemblies

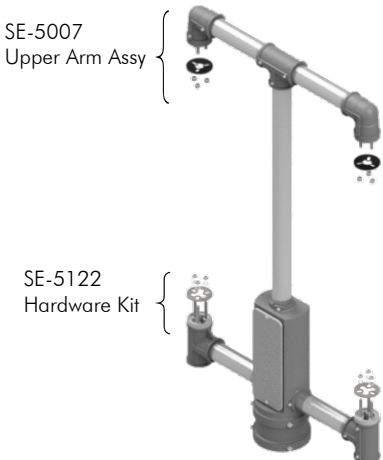
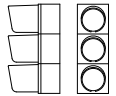
Pelco's Post Top Slip Fitters are available in aluminum, bronze, and iron, 1-1/2" NPS, Tri-Bolt or Tri-Stud. Post Top Terminal Compartments are available in aluminum or bronze and are supplied with a 12-circuit terminal strip or block. Designed to fit a 4-1/2" OD pole.



Terminal Compartment Assy, 2-Way, Alum 21" CTC for 4-1/2" OD Pole Cast Nipple

SE-3048 - -

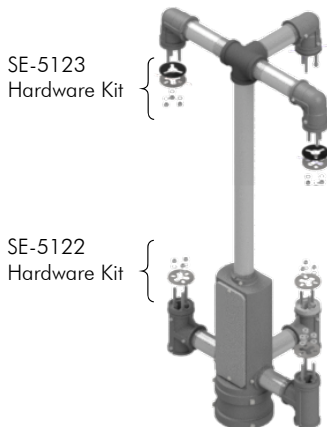
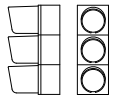
Signal Section	Coating
1=1 Sec	PNC=Process No Color
2=2 Sec	P__=Paint
3=3 Sec	
4=4 Sec	
5=5 Sec	



Terminal Compartment Assy, 2-Way, Alum 21" CTC for 4-1/2" OD Pole Tri-Stud

SE-5187 - -

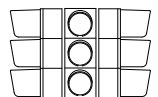
Signal Section	Coating
1=1 Sec	PNC=Process No Color
2=2 Sec	P__=Paint
3=3 Sec	
4=4 Sec	
5=5 Sec	



Terminal Compartment Assy, 3-Way, Alum 16-1/2" CTC for 4-1/2" OD Pole Tri-Stud

SE-5231 - -

Signal Section	Coating
3=3 Sec	PNC=Process No Color
4=4 Sec	P__=Paint



- Note: 1. All assemblies are supplied standard with stainless steel slotted washer and fasteners.
 2. Terminal Compartments supplied standard with plastic door, aluminum door available.
 3. See Reference Section v for available paint colors.



Terminal Compartments Aluminum

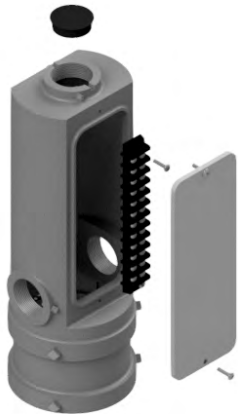
Pelco's aluminum Post Top Terminal Compartments are available in a 2-way or 3-way configuration. Each are supplied standard with a 12-circuit terminal strip and an ABS plastic door. Designed to fit a 4-1/2" OD pole.



Terminal Compartment Assy, Vertical, Alum 2-Way Post Top for 4-1/2" OD Pole

SE-3027 - Coating
 PNC=Process No Color
 P__=Paint

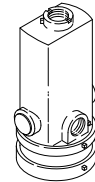
Note:
 Plastic door standard, aluminum door available.



Terminal Compartment Assy, Vertical, Alum 3-Way Post Top for 4-1/2" OD Pole

SE-3074 - Coating
 PNC=Process No Color
 P__=Paint

Note:
 Plastic door standard, aluminum door available.



Rear Port



- Note: 1. All assemblies are supplied standard with stainless steel fasteners.
 2. Terminal Compartments supplied standard with plastic door, aluminum door available.
 3. See Reference Section v for available paint colors.



Terminal Compartments Aluminum

Pelco's 2-way Horizontal Terminal Compartments are cast aluminum supplied with ABS plastic doors. Each can be configured with either a top port or a rear port and are supplied with one or two 12-circuit terminal strips. Designed to fit a 4-1/2" OD pole.



Terminal Compartment Assy, Horizontal, Alum 2-Way Post Top for 4-1/2" OD Pole

	Port Mountings		Terminal Strip		Coating	
SE-3143	-	<input type="checkbox"/>	-	<input type="checkbox"/>	-	<input type="checkbox"/>
	TP=Top Port RP=Rear Port		1T=Terminal Strip (1) 2T=Terminal Strips (2)		PNC=Process No Color P__=Paint	

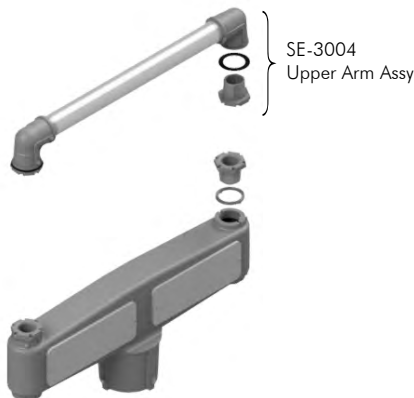
Note:
Plastic door standard, aluminum door available.



Terminal Compartment Assy, Horizontal, Alum 2-Way Post Top for 4-1/2" OD Pole Cast Nipples

	Port Mountings		Terminal Strip		Coating	
SE-3135	-	<input type="checkbox"/>	-	<input type="checkbox"/>	-	<input type="checkbox"/>
	TP=Top Port RP=Rear Port		1T=Terminal Strip (1) 2T=Terminal Strips (2)		PNC=Process No Color P__=Paint	

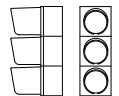
Note:
Plastic door standard, aluminum door available.



Terminal Compartment Assy, 2-Way, Alum 24" CTC for 4-1/2" OD Pole Cast Nipple

	Coating	
SE-3141	-	<input type="checkbox"/>
	PNC=Process No Color P__=Paint	

Note:
Plastic door standard, aluminum door available.



- Note: 1. All assemblies are supplied standard with stainless steel fasteners.
2. Terminal Compartments supplied standard with plastic door, aluminum door available.
3. See Reference Section v for available paint colors.

Terminal Compartments Bronze & Iron

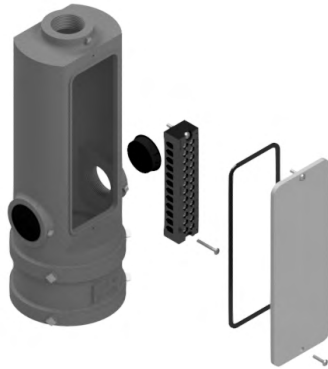
Pelco's bronze and iron Post Top Terminal Compartments are available in a 2-way configuration. Each are supplied standard with a 12-circuit terminal block and an ABS plastic door. Designed to fit a 4-1/2" OD pole.



Terminal Compartment Assy, Vertical 2-Way Post Top for 4-1/2" OD Pole, Bronze

SE-4422 - Coating
 PNC=Process No Color
 P__=Paint

Note:
Plastic door standard, aluminum door available.



Terminal Compartment Assy, Vertical 2-Way Post Top for 4-1/2" OD Pole, Iron

SE-3331 - Coating
 GLV=Galvanized
 P__=Paint

Note:
Plastic door standard, aluminum door available.

- Note: 1. All assemblies are supplied standard with stainless steel fasteners.
 2. Terminal Compartments supplied standard with plastic door, aluminum door available.
 3. See Reference Section v for available paint colors.



Plumbizers Aluminum

Pelco's aluminum Plumbizers, available in both straight and offset configurations, are designed to mount traffic signal assemblies to the end of a mast arm. Provided with hardware for mounting onto a 2-3/8" diameter tenon.



TENON MOUNT



Straight Plumbizer Assy, Alum w/ Hardware

SE-0352 - Coating
PNC=Process No Color
P__=Paint



Offset Plumbizer Assy, Alum w/ Hardware

SE-0353 - Coating
PNC=Process No Color
P__=Paint



Note: 1. All assemblies are supplied standard with stainless steel fasteners.
2. See Reference Section page v for available paint colors.



Plumbizers Bronze & Iron

Pelco's bronze and iron offset Plumbizers are designed to mount traffic signal assemblies on the end of a mast arm. Provided with hardware for mounting onto a 2-3/8" diameter tenon.



Offset Plumbizer Assy, Bronze w/ Hardware

SE-4413 - Coating
PNC=Process No Color
P__=Paint



Offset Plumbizer Assy, Iron Large Hole w/ Hardware

SE-3335 - Coating
P__=Paint



Straight Plumbizer Assy, Copper Alloy w/ Hardware

SE-0352-B - Coating
P__=Paint



Plumbizer Hardware Kit, 5/16"-18 x 3-1/2" Carriage Bolts Stainless slotted Washer & Hardware

SE-3282-SS

Note: 1. All assemblies are supplied standard with stainless steel fasteners.
3. See Reference Section page v for available paint colors.



Mast Arm Hangers Aluminum

Pelco's aluminum Mast Arm Hangers are designed to mount traffic signal assemblies on the end of a mast arm. Available in both 1-1/2" and tri-stud. Provided with hardware for mounting to a 2-3/8" diameter tenon.



TENON MOUNT



Rigid Mast Arm Hanger, Alum 1-1/2" NPS w/ Hardware

SE-0350 - -
 Double Set Screws Coating
 Blank=None PNC=Process No Color
 DS=Double P__=Paint
 Set Screws



SE-3042
Hardware Kit

Rigid Mast Arm Hanger, Alum Cast Nipple

SE-3056 -
 Coating
 PNC=Process No Color
 P__=Paint



SE-5123
Hardware Kit

Rigid Mast Arm Hanger, Alum Tri-Stud

SE-3119 -
 Coating
 PNC=Process No Color
 P__=Paint

Note: 1. All assemblies are supplied standard with stainless steel fasteners.
 2. See Reference Section page v for available paint colors.



Mast Arm Hangers Aluminum

Pelco's aluminum Mast Arm Hanger are for mounting traffic signal assemblies on the end of a mast arm. Free-swinging styles are available with a cast nipple or all thread. Provided with hardware for mounting to a 2-3/8" diameter tenon.



Free-Swinging Mast Arm Hanger, Alum 1-1/2" NPS w/ Hardware

SE-3103 - - -

Insulator Bushing Stainless Bushing Coating
Blank=None Blank=None PNC=Process No Color
IB=Insulator SB=Stainless P__=Paint
Bushing



SE-3042
Hardware Kit

Free-Swinging Mast Arm Hanger Assy, Alum w/ Outlet Body & Cast Nipple

SE-3201 - - -

Stainless Bushing Stainless Upgrade Coating
Blank=None Blank=None PNC=Process No Color
SB=Stainless SB=Stainless P__=Paint
Bushing



Free-Swinging Mast Arm Hanger Assy, Alum w/ Outlet Body & All Thread Nipple

SE-3314 - - -

Stainless Bushing Stainless Upgrade Coating
Blank=None Blank=None PNC=Process No Color
SB=Stainless SB=Stainless P__=Paint
Bushing

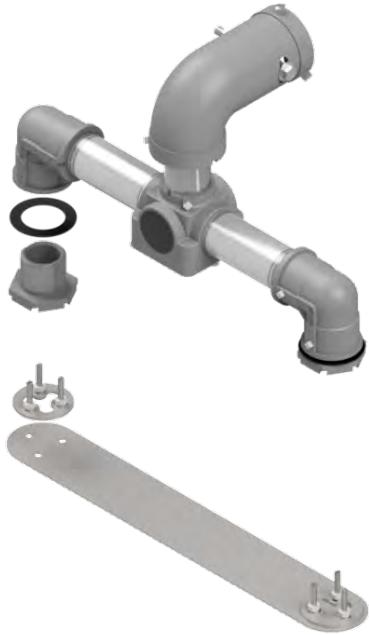
Note: 1. All assemblies are supplied standard with stainless steel slotted washers and fasteners, with galvanized hardware on outlet body. Stainless upgrade shall include stainless steel hardware and pins.
3. See Reference Section page v for available paint colors.



TENON MOUNT

Mast Arm Hangers Aluminum

Pelco's aluminum Mast Arm Hanger are for mounting traffic signal assemblies on the end of a mast arm. Free-swinging styles are available with a cast nipple or all thread. Provided with hardware for mounting to a 2-3/8" diameter tenon.



Rigid Mast Arm Hanger, 2-Way, Alum 1-1/2" NPS Upper & Tri-Stud Lower

SE-3346 - -

Set Screw Coating

Blank=Single Set Screw PNC=Process No Color

DS=Double Set Screw P__=Paint

Note: 1. All assemblies are supplied standard with stainless steel fasteners.
2. See Reference Section page v for available paint colors.



Mast Arm Ell Hangers Bronze & Iron

Pelco's bronze and iron Ell Hangers, for mounting traffic signal assemblies on the end of a mast arm, are designed with serrations for locking onto the top of a signal. Provided with hardware for mounting to a 2-3/8" diameter tenon.



Ell Assy, Rigid Tenon Mount, Bronze 1-1/2" NPS w/ Serrations & Hardware

SE-4412 - Coating
PNC=Process No Color
P__=Paint



Ell Assy, Rigid Tenon Mount, Iron 1-1/2" NPS w/ Serrations & Hardware

SE-4439 - Coating
P__=Paint

Note: 1. All assemblies are supplied standard with stainless steel fasteners.
2. See Reference Section page v for available paint colors.

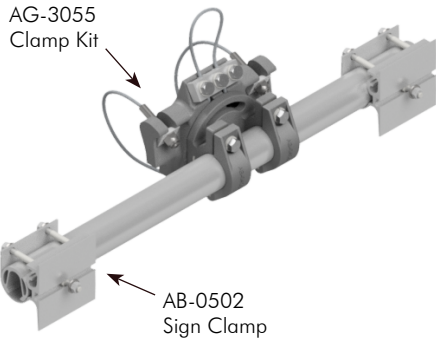


Astro Sign-Brac Overhead Street Name Signs Cable Mount

Pelco manufactures a variety of sign brackets in rigid and free-swinging mounts for both flat and internally illuminated signs. Most sign-bracs are available with stainless cable or band, and tenon mount clamp kits.



SIGN MOUNTS



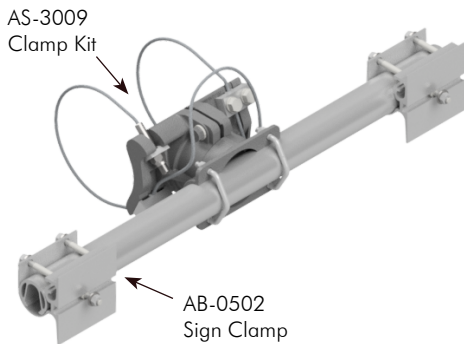
Galaxy Sign-Brac, Stainless Cable Mount for Overhead Street Name Signs

AG-0144 - - -

CTC Cable Length Coating

See Sign See PNC=Process No Color
Clamp Tables Table P_ =Paint

Cable Length:	62"	84"	96"	120"	144"	220"	280"
Maximum Pole Dia:	7.0"	10.5"	12.4"	16.2"	20.1"	32.2"	35.0"
Pole Dia w/ Ty-back:	4.5"	7.6"	9.6"	13.4"	17.2"	29.3"	35.0"



Stellar Sign-Brac, Stainless Cable Mount for Overhead Street Name Signs

AS-0144 - - -

CTC Cable Length Coating

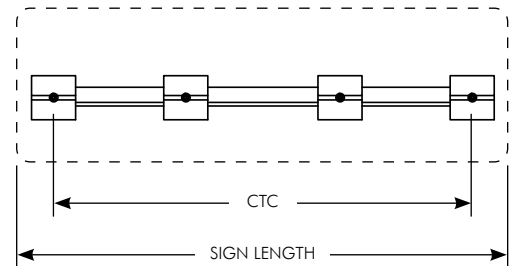
See Sign See PNC=Process No Color
Clamp Tables Table P_ =Paint

Cable Length:	62"	84"	96"	120"	144"	220"	280"
Maximum Pole Dia:	7.0"	10.5"	12.4"	16.2"	20.1"	32.2"	35.0"
Pole Dia w/ Ty-back:	4.5"	7.6"	9.6"	13.4"	17.2"	29.3"	35.0"

2 Sign Clamps				
Sign:	18"	24"	30"	36"
Max CTC:	12"	18"	24"	30"

4 Sign Clamps										
Sign:	42"	48"	54"	60"	66"	72"	78"	84"	90"	96"
Max CTC:	36"	42"	48"	54"	60"	66"	72"	78"	84"	90"

6 Sign Clamps			
Sign:	102"	108"	114"
Max CTC:	96"	102"	108"



Notes:

130 mph wind zone maximum: 16 sq-ft
150 mph wind zone maximum: 12 sq-ft

1. Capacities listed are only for applications with the clamp kit mounted in the center of the sign.
2. Signs must be properly engineered for specific application.
3. Tube length is 4" longer than maximum CTC.

Note: 1. All assemblies are supplied standard with stainless steel cable, clamp screw, and fasteners.
2. See Reference Section page v for available paint colors.

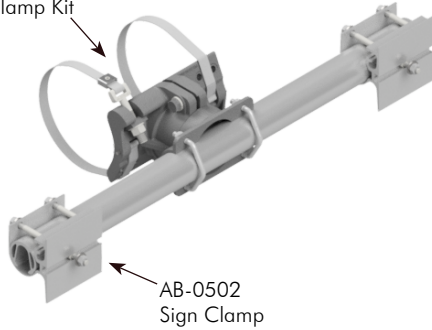


Astro Sign-Brac Overhead Street Name Signs Band and Tenon Mount

Pelco manufactures a variety of sign brackets in rigid and free-swinging mounts for both flat and internally illuminated signs. Most sign-bracs are available with stainless cable or band, and tenon mount clamp kits.



AS-3004
Clamp Kit



AB-0502
Sign Clamp

Stellar Sign-Brac, Stainless Band Mount for Overhead Street Name Signs

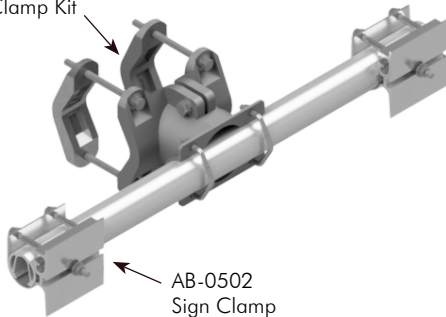
AS-0128 - - -

CTC Band Length Coating

See Sign See PNC=Process No Color
Clamp Tables Table P_ _=Paint

Band Length:	29"	42"	56"	72"	114"
Maximum Pole Dia:	7.3"	11.5"	15.9"	21.0"	34.4"

AS-3010
Clamp Kit



AB-0502
Sign Clamp

Stellar Sign-Brac, Tenon Mount for Overhead Street Name Signs

AS-0662 - -

CTC Coating

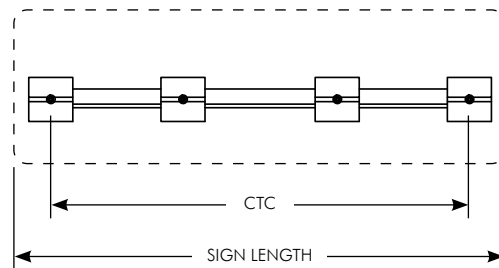
See Sign PNC=Process No Color
Clamp Tables P_ _=Paint

Note:
Fits 1.9" to 4.5" diameter.

2 Sign Clamps				
Sign:	18"	24"	30"	36"
Max CTC:	12"	18"	24"	30"

4 Sign Clamps										
Sign:	42"	48"	54"	60"	66"	72"	78"	84"	90"	96"
Max CTC:	36"	42"	48"	54"	60"	66"	72"	78"	84"	90"

6 Sign Clamps			
Sign:	102"	108"	114"
Max CTC:	96"	102"	108"



Notes:

130 mph wind zone maximum: 16 sq-ft
150 mph wind zone maximum: 12 sq-ft

1. Capacities listed are only for applications with the clamp kit mounted in the center of the sign.
2. Signs must be properly engineered for specific application.
3. Tube length is 4" longer than maximum CTC.

Note: 1. All assemblies are supplied standard with stainless steel cable, clamp screw, and fasteners.
2. See Reference Section page v for available paint colors.

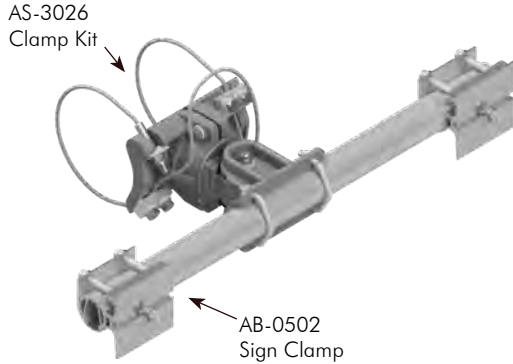


Astro Sign-Brac Overhead Street Name Signs Atlas Articulating Mount

Pelco manufactures a variety of sign brackets in rigid and free-swinging mounts for both flat and internally illuminated signs. Most sign-bracs are available with stainless cable or band, and tenon mount clamp kits.



SIGN MOUNTS



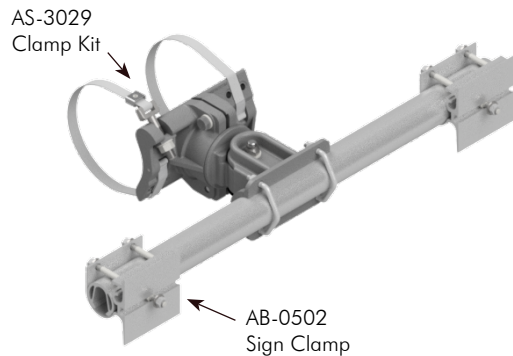
Atlas Sign-Brac, Articulating Stainless Cable Mount for Overhead Street Name Signs

AS-0185 - - -

CTC Cable Length Coating

See Sign See PNC=Process No Color
Clamp Tables Table P__=Paint

Cable Length:	62"	84"	96"	120"	144"	220"	280"
Maximum Pole Dia:	7.0"	10.5"	12.4"	16.2"	20.1"	32.2"	35.0"
Pole Dia w/ Ty-back:	4.5"	7.6"	9.6"	13.4"	17.2"	29.3"	35.0"



Atlas Sign-Brac, Articulating Stainless Band Mount for Overhead Street Name Signs

AS-0176 - - -

CTC Band Length Coating

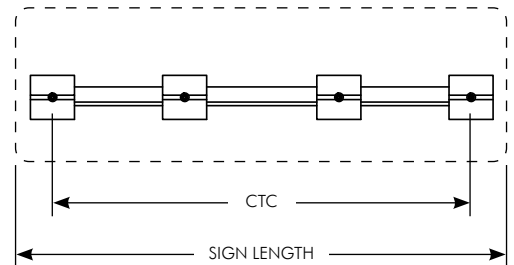
See Sign See PNC=Process No Color
Clamp Tables Table P__=Paint

Band Length:	29"	42"	56"	72"	114"
Maximum Pole Dia:	7.3"	11.5"	15.9"	21.0"	34.4"

2 Sign Clamps				
Sign:	18"	24"	30"	36"
Max CTC:	12"	18"	24"	30"

4 Sign Clamps										
Sign:	42"	48"	54"	60"	66"	72"	78"	84"	90"	96"
Max CTC:	36"	42"	48"	54"	60"	66"	72"	78"	84"	90"

6 Sign Clamps			
Sign:	102"	108"	114"
Max CTC:	96"	102"	108"



Notes:

130 mph wind zone maximum: 16 sq-ft
150 mph wind zone maximum: 12 sq-ft

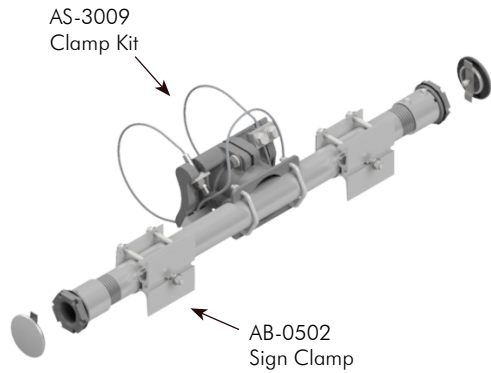
1. Capacities listed are only for applications with the clamp kit mounted in the center of the sign.
2. Signs must be properly engineered for specific application.
3. Tube length is 4" longer than maximum CTC.

Note: 1. All assemblies are supplied standard with stainless steel cable, clamp screw, and fasteners.
2. See Reference Section page v for available paint colors.



Astro Sign-Brac Overhead Street Name Signs w/ Signal Mount

Pelco manufactures a variety of sign brackets in rigid and free-swinging mounts for both flat and internally illuminated signs. Most sign-bracs are available with stainless cable or band, and tenon mount clamp kits.



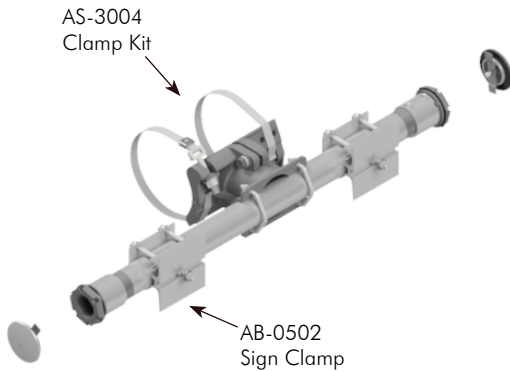
Stellar Astro-Brac Assy, Stainless Cable Mount for Sign w/ Signals

AS-0196 - - -

CTC Cable Length Coating

See Sign See PNC=Process No Color
CTC Table Table P__=Paint

Cable Length:	62"	84"	96"	120"	144"	220"	280"
Maximum Pole Dia:	7.0"	10.5"	12.4"	16.2"	20.1"	32.2"	35.0"
Pole Dia w/ Ty-back:	4.5"	7.6"	9.6"	13.4"	17.2"	29.3"	35.0"



Stellar Astro-Brac Assy, Stainless Band Mount for Sign w/ Signals

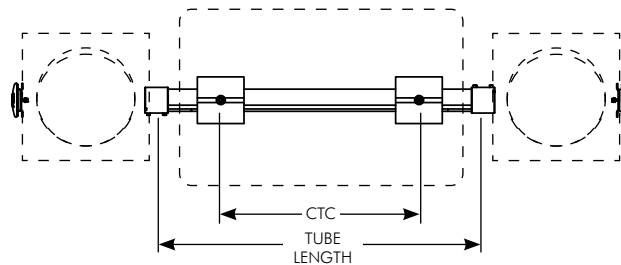
AS-0195 - - -

CTC Band Length Coating

See Sign See PNC=Process No Color
CTC Table Table P__=Paint

Band Length:	29"	42"	56"	72"	114"
Maximum Pole Dia:	7.3"	11.5"	15.9"	21.0"	34.4"

Sign CTC							
Max CTC:	24"	30"	36"	42"	48"	54"	60"
Tube Length:	46"	52"	58"	64"	70"	76"	82"



Notes:

130 mph wind zone maximum: 16 sq-ft
150 mph wind zone maximum: 12 sq-ft

1. Capacities listed are only for applications with the clamp kit mounted in the center of the sign.
2. Signs must be properly engineered for specific application.
3. Tube length is 4" longer than maximum CTC.

Note: 1. All assemblies are supplied standard with stainless steel cable, clamp screw, and fasteners.
2. See Reference Section page v for available paint colors.



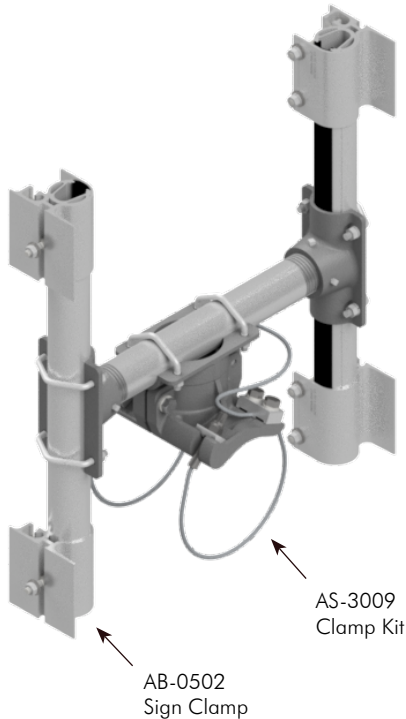
Astro Sign-Brac Overhead Street Name Signs 2-Way Back-to-Back

Pelco manufactures a variety of sign brackets in rigid and free-swinging mounts for both flat and internally illuminated signs. Most sign-bracs are available with stainless cable or band, and tenon mount clamp kits.



SIGN MTGS

Stellar Astro-Brac Assy, Stainless Cable Mount for 2-Way Back-to-Back Signs



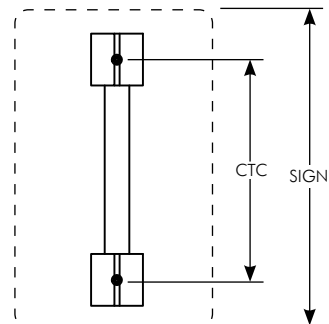
AS-0701 - - - -

CTC Tube Cable Coating
Length Length Length

See Sign 12=12" Tube See PNC=Process No Color
CTC Table 14=14" Tube Table P__=Paint
16=14" Tube

Cable Length:	62"	84"	96"	120"	144"	220"	280"
Maximum Pole Dia:	7.0"	10.5"	12.4"	16.2"	20.1"	32.2"	35.0"
Pole Dia w/ Ty-back:	4.5"	7.6"	9.6"	13.4"	17.2"	29.3"	35.0"

Sign CTC				
Sign:	18"	24"	30"	36"
Max CTC:	12"	18"	24"	30"



Notes:

1. Maximum sign size 9 sq ft.
2. Signs must be properly engineered for specific application.
3. Tube length is 4" longer than maximum CTC.

Note: 1. All assemblies are supplied standard with stainless steel cable, clamp screw, and fasteners.
2. See Reference Section page v for available paint colors.



This page is intentionally left blank.

SIGN MTGS

pelco
PELCO PRODUCTS, INC.

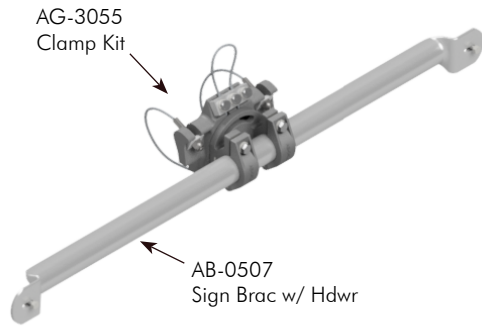


Astro Sign-Brac Formed Tubes Cable Mount

Pelco manufactures a variety of sign brackets in rigid and free-swinging mounts for both flat and internally illuminated signs. Most sign-bracs are available with a cable, band, or tenon mount clamp kit.



SIGN MOUNTS

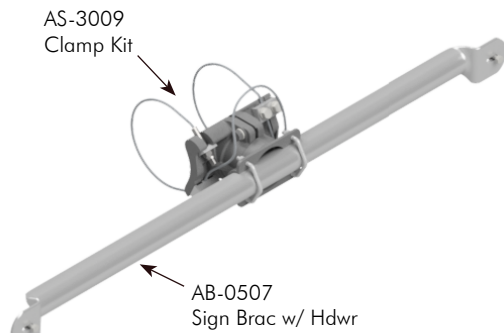


Galaxy Sign-Brac, Stainless Cable Mount, Formed Tube

AG-0142 - - -

CTC Cable Length Coating
See Sign See See PNC=Process No Color
CTC Table Table P__=Paint

Cable Length:	62"	84"	96"	120"	144"	220"	280"
Maximum Pole Dia:	7.0"	10.5"	12.4"	16.2"	20.1"	32.2"	35.0"
Pole Dia w/ Ty-back:	4.5"	7.6"	9.6"	13.4"	17.2"	29.3"	35.0"



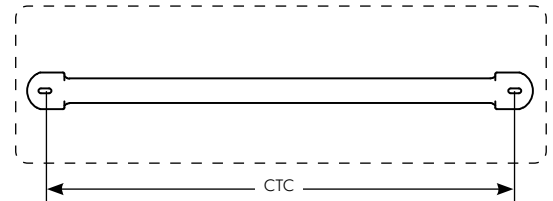
Stellar Sign-Brac, Stainless Cable Mount, Formed Tube

AS-0142 - - -

CTC Cable Length Coating
See Sign See See PNC=Process No Color
CTC Table Table P__=Paint

Cable Length:	62"	84"	96"	120"	144"	220"	280"
Maximum Pole Dia:	7.0"	10.5"	12.4"	16.2"	20.1"	32.2"	35.0"
Pole Dia w/ Ty-back:	4.5"	7.6"	9.6"	13.4"	17.2"	29.3"	35.0"

Sign CTC										
Max CTC:	9"	12"	15"	18"	24"	30"	36"	42"	48"	60"
Sign Length:	15"	18"	21"	24"	30"	36"	42"	48"	54"	66"



Notes:

90 mph wind zone maximum: 16 sq-ft

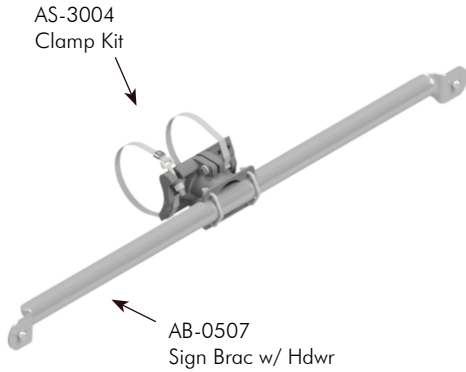
1. Capacity listed is only for applications with the clamp kit mounted in the center of the sign.
2. Signs must be properly engineered for specific application.
3. For higher wind zones and multiple brackets use assemblies shown on T6-1 & T6-2.

Note: 1. All assemblies are supplied standard with stainless steel cable, clamp screw, and fasteners.
2. See Reference Section page v for available paint colors.



Astro Sign-Brac Formed Tubes Band & Tenon Mount

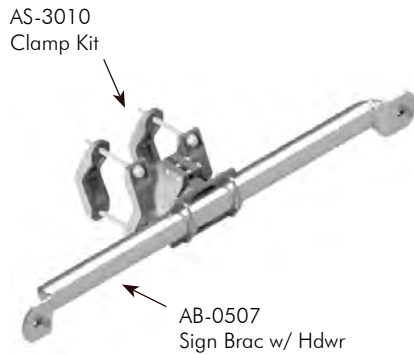
Pelco manufactures a variety of sign brackets in rigid and free-swinging mounts for both flat and internally illuminated signs. Most sign-bracs are available with a cable, band, or tenon mount clamp kit.



Stellar Sign-Brac, Stainless Band Mount, Formed Tube

AS-0105 - - -
 CTC Band Length Coating
 See Sign See PNC=Process No Color
 CTC Table Table P__=Paint

Band Length:	29"	42"	56"	72"	114"
Maximum Pole Dia:	7.3"	11.5"	15.9"	21.0"	34.4"

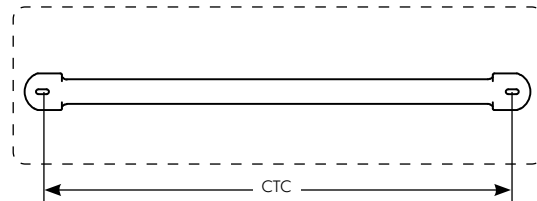


Stellar Sign-Brac, Tenon Mount, Formed Tube

AS-0179 - -
 CTC Coating
 See Sign PNC=Process No Color
 CTC Table P__=Paint

Note:
Fits 1.9" to 4.5" diameter.

Sign CTC										
Max CTC:	9"	12"	15"	18"	24"	30"	36"	42"	48"	60"
Sign Length:	15"	18"	21"	24"	30"	36"	42"	48"	54"	66"



Notes:

90 mph wind zone maximum: 16 sq-ft

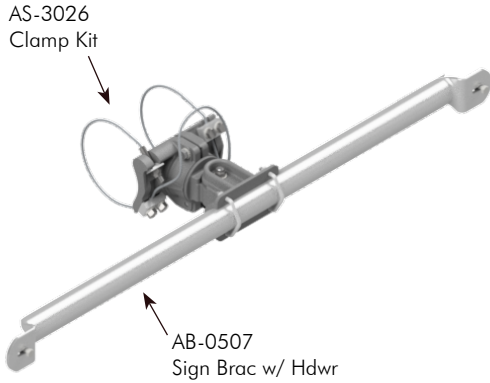
1. Capacity listed is only for applications with the clamp kit mounted in the center of the sign.
2. For higher wind zones and multiple brackets use assemblies shown on T6-1 & T6-2.
3. Signs must be properly engineered for specific application.

Note: 1. All assemblies are supplied standard with stainless steel cable, clamp screw, and fasteners.
2. See Reference Section page v for available paint colors.



Astro Sign-Brac Formed Tubes Atlas Articulated Mounts

Pelco manufactures a variety of sign brackets in rigid and free-swinging mounts for both flat and internally illuminated signs. Most sign-bracs are available with a cable, band, or tenon mount clamp kit.



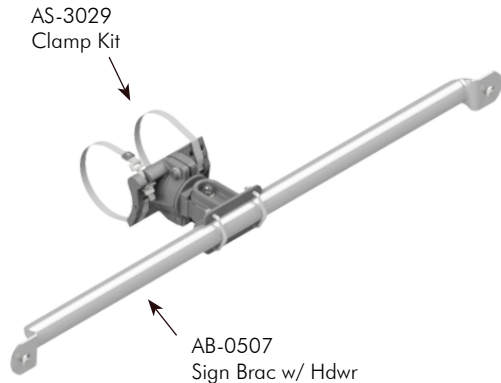
Atlas Sign-Brac, Articulating Stainless Cable Mount, Formed Tube

AS-0136 - - -

CTC Cable Length Coating

See Sign See PNC=Process No Color
CTC Table Table P__=Paint

Cable Length:	62"	84"	96"	120"	144"	220"	280"
Maximum Pole Dia:	7.0"	10.5"	12.4"	16.2"	20.1"	32.2"	35.0"
Pole Dia w/ Ty-back:	4.5"	7.6"	9.6"	13.4"	17.2"	29.3"	35.0"



Atlas Sign-Brac, Articulating Stainless Band Mount, Formed Tube

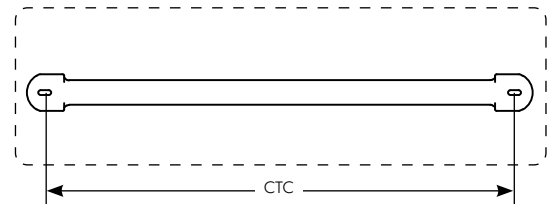
AS-0135 - - -

CTC Band Length Coating

See Sign See PNC=Process No Color
CTC Table Table P__=Paint

Band Length:	29"	42"	56"	72"	114"
Maximum Pole Dia:	7.3"	11.5"	15.9"	21.0"	34.4"

Sign CTC										
Max CTC:	9"	12"	15"	18"	24"	30"	36"	42"	48"	60"
Sign Length:	15"	18"	21"	24"	30"	36"	42"	48"	54"	66"



Notes:

90 mph wind zone maximum: 16 sq-ft

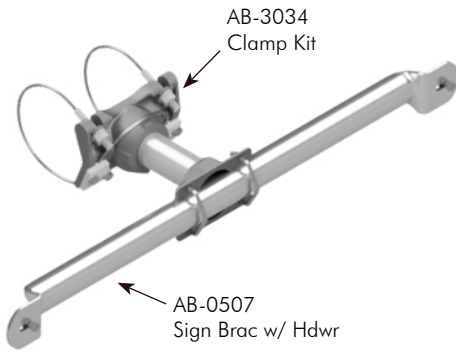
1. Capacity listed is only for applications with the clamp kit mounted in the center of the sign.
2. For higher wind zones and multiple brackets use assemblies shown on T6-1 & T6-2.
3. Signs must be properly engineered for specific application.

Note: 1. All assemblies are supplied standard with stainless steel cable, clamp screw, and fasteners.
2. See Reference Section page v for available paint colors.



Astro Sign-Brac Formed Tubes Vertical Extension Mounts

Pelco manufactures a variety of sign brackets in rigid and free-swinging mounts for both flat and internally illuminated signs. Most sign-bracs are available with a cable, band, or tenon mount clamp kit.

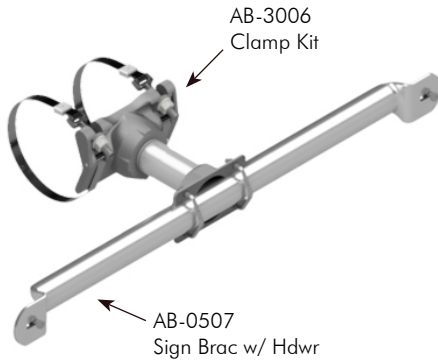


Astro Sign-Brac, Vertical Extension Cable Mount, Formed Tube

AB-0189 - Nipple Length - CTC - Cable Length - Coating

5=5" Nipple See Sign See PNC=Process No Color
6=6" Nipple CTC Table Table P__=Paint
8=8" Nipple

Cable Length:	62"	84"	96"	110"	120"	132"	144"	220"	280"
Maximum Pole Dia:	7.0"	10.5"	12.4"	14.6"	16.2"	18.2"	20.1"	32.2"	35.0"
Pole Dia w/ Ty-back:	4.5"	7.6"	9.6"	11.8"	13.4"	15.3"	17.2"	29.3"	35.0"



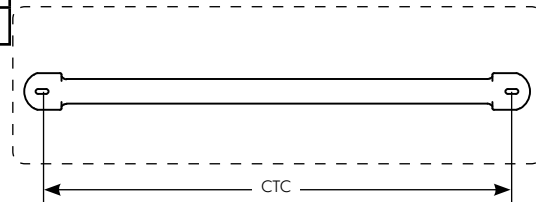
Astro Sign-Brac, Vertical Extension Band Mount, Formed Tube

AB-0134 - Nipple Length - CTC - Band Length - Coating

5=5" Nipple See Sign See PNC=Process No Color
6=6" Nipple CTC Table Table P__=Paint
8=8" Nipple

Band Length:	29"	42"	56"	72"	114"
Maximum Pole Dia:	7.3"	11.5"	15.9"	21.0"	34.4"

Sign CTC										
Max CTC:	9"	12"	15"	18"	24"	30"	36"	42"	48"	60"
Sign Length:	15"	18"	21"	24"	30"	36"	42"	48"	54"	66"



Notes:

90 mph wind zone maximum: 16 sq-ft

1. Capacity listed is only for applications with the clamp kit mounted in the center of the sign.
2. For higher wind zones and multiple brackets use assemblies shown on T6-1 & T6-2.
3. Signs must be properly engineered for specific application.

Note: 1. All assemblies are supplied standard with stainless steel cable, clamp screw, and fasteners.
2. See Reference Section page v for available paint colors.



Astro Sign-Brac Electrical Type Stellar Series

Pelco manufactures a variety of sign brackets in rigid and free-swinging mounts for both flat and internally illuminated signs. Most sign-bracs are available with a cable, band, or tenon mount clamp kit.

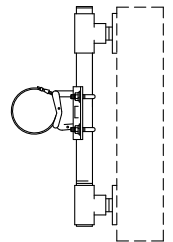


SIGN MOUNTS



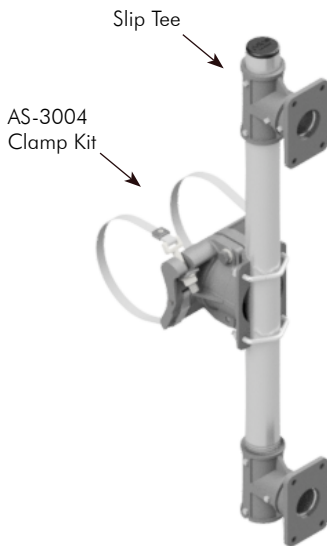
Stellar Sign-Brac, Stainless Cable Mount, Back Attachment for Internally Illuminated Signs

AS-0650	-	<input type="text"/>	-	<input type="text"/>	-	<input type="text"/>
		Tube Length		Cable Length		Coating
		23=23" Tube		See Table		PNC=Process No Color
		37=37" Tube				P__=Paint
		46=46" Tube				
		58=58" Tube				
		74=74" Tube				

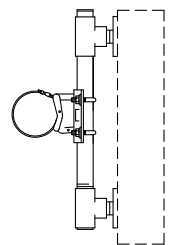


Cable Length:	62"	84"	96"	120"	144"	220"	280"
Maximum Pole Dia:	7.0"	10.5"	12.4"	16.2"	20.1"	32.2"	35.0"
Pole Dia w/ Ty-back:	4.5"	7.6"	9.6"	13.4"	17.2"	29.3"	35.0"

Stellar Sign-Brac, Stainless Band Mount, Back Attachment for Internally Illuminated Signs



AS-0104	-	<input type="text"/>	-	<input type="text"/>	-	<input type="text"/>
		Tube Length		Band Length		Coating
		23=23" Tube		See Table		PNC=Process No Color
		37=37" Tube				P__=Paint
		46=46" Tube				
		58=58" Tube				
		74=74" Tube				



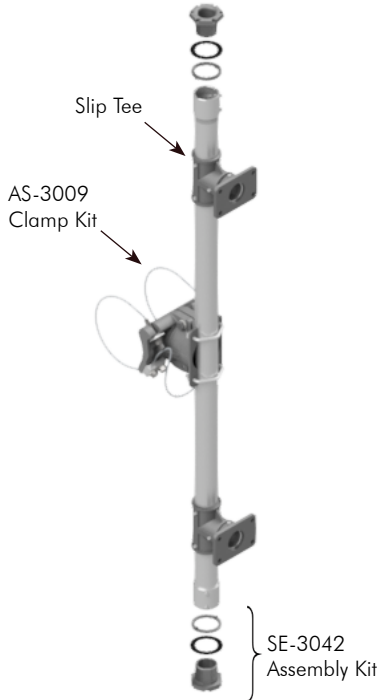
Band Length:	29"	42"	56"	72"	114"
Maximum Pole Dia:	7.3"	11.5"	15.9"	21.0"	34.4"

Note: 1. All assemblies are supplied standard with stainless steel cable, clamp screw, and fasteners.
2. See Reference Section page v for available paint colors.



Astro Sign-Brac Electrical Type Stellar Series

Pelco manufactures a variety of sign brackets in rigid and free-swinging mounts for both flat and internally illuminated signs. Most sign-bracs are available with a cable, band, or tenon mount clamp kit.



Stellar Sign-Brac, Stainless Cable Mount, Back Attachment for Internally Illuminated Signs and Signals

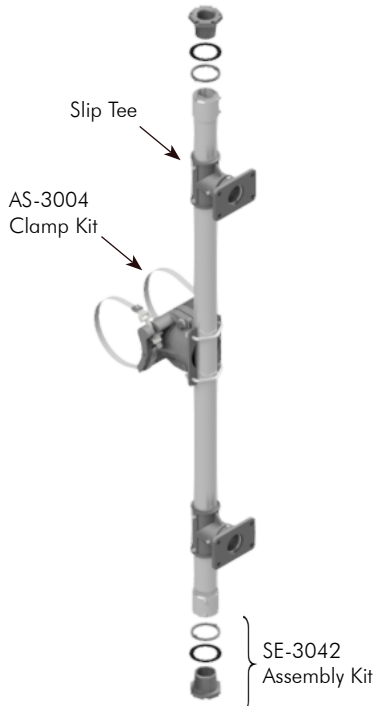
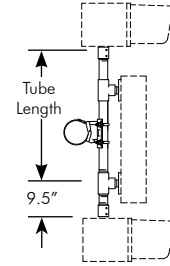
AS-0651 - - -

23=23" Tube
37=37" Tube
46=46" Tube
58=58" Tube
74=74" Tube

See Table

Coating
PNC=Process No Color
P__=Paint

Cable Length:	62"	84"	96"	120"	144"	220"	280"
Maximum Pole Dia:	7.0"	10.5"	12.4"	16.2"	20.1"	32.2"	35.0"
Pole Dia w/ Ty-back:	4.5"	7.6"	9.6"	13.4"	17.2"	29.3"	35.0"



Stellar Sign-Brac, Stainless Band Mount, Back Attachment for Internally Illuminated Signs and Signals

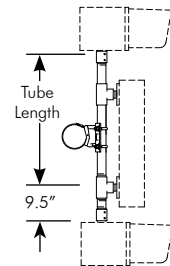
AS-0107 - - -

23=23" Tube
37=37" Tube
46=46" Tube
58=58" Tube
74=74" Tube

See Table

Coating
PNC=Process No Color
P__=Paint

Band Length:	29"	42"	56"	72"	114"
Maximum Pole Dia:	7.3"	11.5"	15.9"	21.0"	34.4"



Note: 1. All assemblies are supplied standard with stainless steel cable, clamp screw, and fasteners.
2. See Reference Section page v for available paint colors.



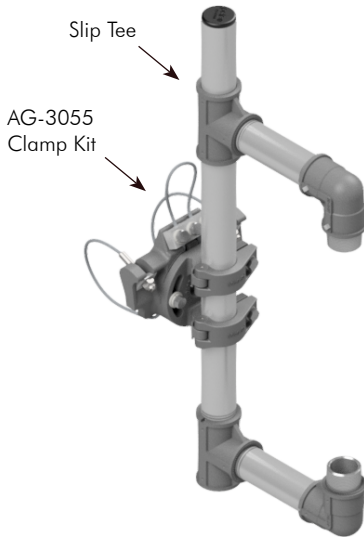
Astro Sign-Brac Electrical Type Cable Mount

Pelco manufactures a variety of sign brackets in rigid and free-swinging mounts for both flat and internally illuminated signs. Most sign-bracs are available with a cable, band, or tenon mount clamp kit.



SIGN MOUNTS

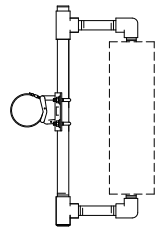
Galaxy Sign-Brac, Stainless Cable Mount Top & Bottom Attachment for Internally Illuminated Signs



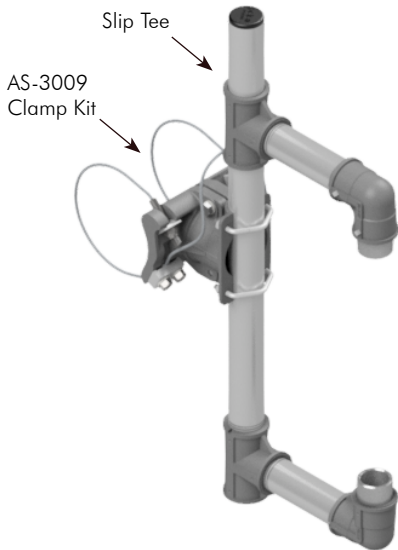
AG-0652 - - -

23=23" Tube See Table PNC=Process No Color
 37=37" Tube P__=Paint
 46=46" Tube
 58=58" Tube
 74=74" Tube

Cable Length:	62"	84"	96"	120"	144"	220"	280"
Maximum Pole Dia:	7.0"	10.5"	12.4"	16.2"	20.1"	32.2"	35.0"
Pole Dia w/ Ty-back:	4.5"	7.6"	9.6"	13.4"	17.2"	29.3"	35.0"



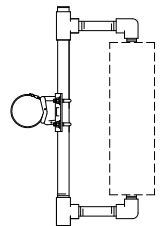
Stellar Sign-Brac, Stainless Cable Mount Top & Bottom Attachment for Internally Illuminated Signs



AS-0652 - - -

23=23" Tube See Table PNC=Process No Color
 37=37" Tube P__=Paint
 46=46" Tube
 58=58" Tube
 74=74" Tube

Cable Length:	62"	84"	96"	120"	144"	220"	280"
Maximum Pole Dia:	7.0"	10.5"	12.4"	16.2"	20.1"	32.2"	35.0"
Pole Dia w/ Ty-back:	4.5"	7.6"	9.6"	13.4"	17.2"	29.3"	35.0"



Note: 1. All assemblies are supplied standard with stainless steel cable, clamp screw, and fasteners.
 2. See Reference Section page v for available paint colors.

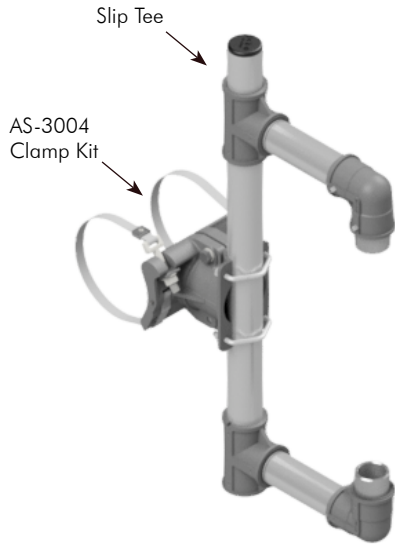


Astro Sign-Brac Electrical Type Band Mount

Pelco manufactures a variety of sign brackets in rigid and free-swinging mounts for both flat and internally illuminated signs. Most sign-bracs are available with a cable, band, or tenon mount clamp kit.

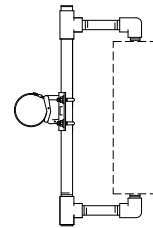


Stellar Sign-Brac, Stainless Band Mount Top & Bottom Attachment for Internally Illuminated Signs



AS-0129 - - -

23=23" Tube See Table PNC=Process No Color
37=37" Tube P__=Paint
46=46" Tube
58=58" Tube
74=74" Tube



Band Length:	29"	42"	56"	72"	114"
Maximum Pole Dia:	7.3"	11.5"	15.9"	21.0"	34.4"

SIGN MOUNTS



Note: 1. All assemblies are supplied standard with stainless steel cable, clamp screw, and fasteners.
2. See Reference Section page v for available paint colors.



Sign Bracket Assy for Rigid Structures Stellar Series

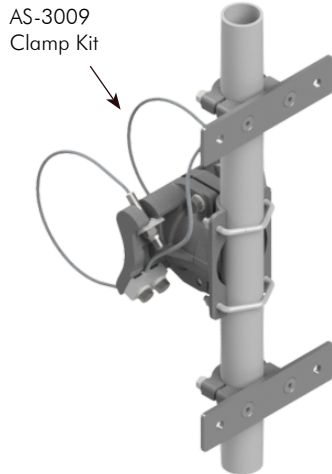
Pelco manufactures a variety of sign brackets in rigid and free-swinging mounts for both flat and internally illuminated signs. Sign brackets for rigid structures and rectangular rapid flashing beacons are available with optional tube lengths.



SIGN MTGS

pelco
PELCO PRODUCTS, INC.

Stellar Sign Bracket Assy, Stainless Cable Mount For Rigid Structures w/ Aluminum Tube



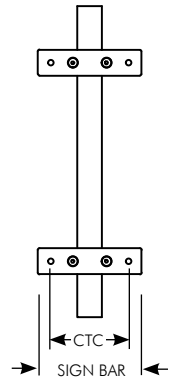
AS-0661 - - -

08=8" w/
Holes 6" CTC
16=16" w/
Holes 9.75" CTC

Sign Bar Length Cable Length Coating

See Table PNC=Process No Color
P__=Paint

Cable Length:	62"	84"	96"	120"	144"	220"	280"
Maximum Pole Dia:	7.0"	10.5"	12.4"	16.2"	20.1"	32.2"	35.0"
Pole Dia w/ Ty-back:	4.5"	7.6"	9.6"	13.4"	17.2"	29.3"	35.0"



Stellar Sign Bracket Assy, Stainless Cable Mount For Rectangular Rapid Flashing Beacon w/ Aluminum Tube



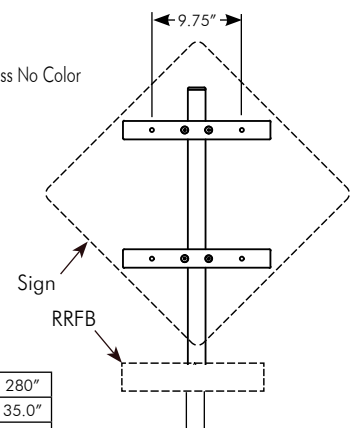
AS-0708 - - -

48=48" Tube
for 24" Sign
56=56" Tube
for 30" Sign
64=64" Tube
36" Sign

Tube Length Cable Length Coating

See Table PNC=Process No Color
P__=Paint

Cable Length:	62"	84"	96"	120"	144"	220"	280"
Maximum Pole Dia:	7.0"	10.5"	12.4"	16.2"	20.1"	32.2"	35.0"
Pole Dia w/ Ty-back:	4.5"	7.6"	9.6"	13.4"	17.2"	29.3"	35.0"



Note: 1. All assemblies are supplied standard with stainless steel cable, clamp screw, and fasteners.
2. See Reference Section page v for available paint colors.

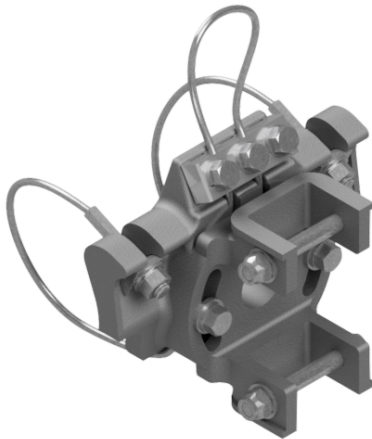


Galaxy T-Spar Sign Bracket

Pelco's Galaxy T-Spar Sign Bracket was designed to work with a 2" square perforated tube. The single cable plate allows for an easy installation and the tube saddle allows multi-directional adjustability. The perforated tube is sold separate.



Galaxy T-Spar Assy, Stainless Cable Mount



Cable Length Coating
 AG-3056 - -
 See Table PNC=Process No Color
 P__=Paint



Tube sold separately

Cable Length:	62"	84"	96"	120"	144"	220"	280"
Maximum Pole Dia:	7.0"	10.5"	12.4"	16.2"	20.1"	32.2"	35.0"
Pole Dia w/ Ty-back:	4.5"	7.6"	9.6"	13.4"	17.2"	29.3"	35.0"

Perforated Tube, 2" x 12 Ga Steel, Galv



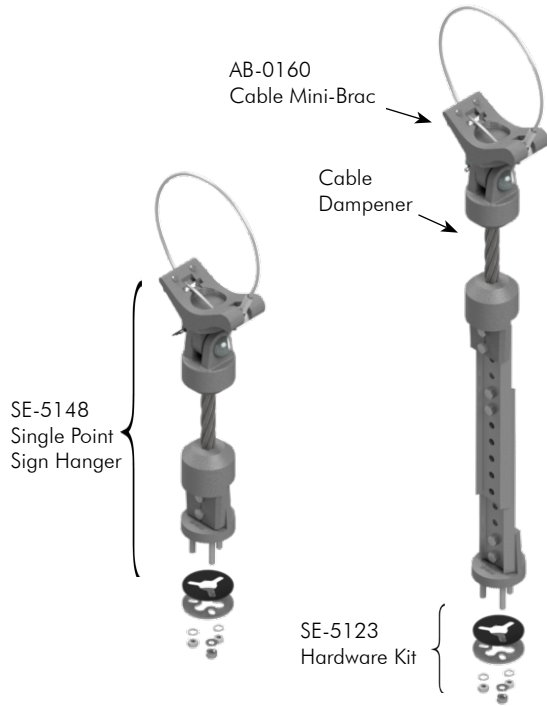
Length Coating
 SE-4191 - -
 72"=6' Tube GLV=Galvanized
 P__=Paint

Note: 1. All assemblies are supplied standard with stainless steel cable, clamp screw, and fasteners.
 2. See Reference Section page v for available paint colors.



Mast Arm Sign Bracket

Pelco manufactures a variety of sign brackets in rigid and free-swinging mounts for both flat and internally illuminated signs. Assemblies with cable dampeners provide stability in lower wind speeds, but are flexible enough to bend in extreme wind events.



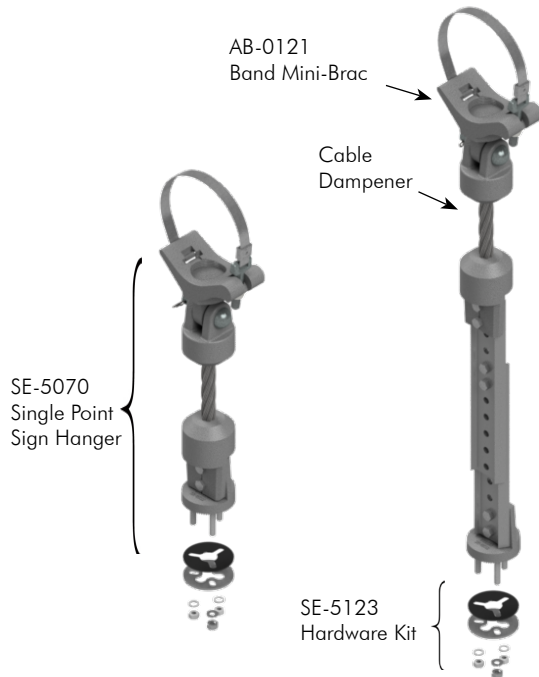
Sign Hanger Assy, Free-Swinging Tri-Stud w/Cable Dampener & Stainless Bushings Stainless Cable Mini-Brac Mount, Alum

SE-5146 - Cable Length - Stainless Upgrade - Coating

See Table Blank=Galv PNC=Process No Color
 SS=Stainless P__=Paint

Cable Length:	45"	62"	84"
Maximum Pole Dia:	11.1"	16.6"	22.0"

Note:
Stainless upgrade includes stainless steel pins.



Sign Hanger Assy, Free-Swinging Tri-Stud w/ Cable Dampener & Stainless Bushings Stainless Band Mini-Brac Mount, Alum

SE-5015 - Band Length - Stainless Upgrade - Coating

See Table Blank=Galv PNC=Process No Color
 SS=Stainless P__=Paint

Band Length:	29"	42"	56"	72"
Maximum Pole Dia:	7.3"	11.5"	15.9"	21.0"

Note:
Stainless upgrade includes stainless steel pins.

Note: 1. All assemblies are supplied standard with galvanized pins. Stainless upgrade available.
 2. See Reference Section page v for available paint colors.



Mast Arm Sign Bracket

Pelco manufactures a variety of sign brackets in rigid and free-swinging mounts for both flat and internally illuminated signs. Assemblies with cable dampeners provide stability in lower wind speeds, but are flexible enough to bend in extreme wind events.



Sign Hanger Assy, Free-Swinging, Cable Dampener w/ Stainless Cable Mini-Brac for Overhead Street Name Signs

AB-0160 Mini-Brac

SE-0903 Sign Hanger w/ Cable Dampener

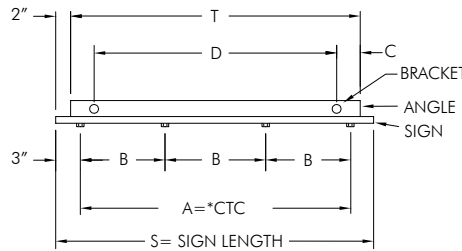
SE-0902 Sign Hanger w/ Cable Dampener

SE-0547 Angle

CTC Cable Length Coating
 SE-5188 - - -
 See Sign Table See Table PNC=Process No Color
 P__=Paint

Cable Length:	45"	62"	84"
Maximum Pole Dia:	11.1"	16.6"	22.0"

Note:
Stainless upgrade includes stainless steel pins.



SIGNS 3'-6" to 9'-0" LONG					
SIGN LENGTH S	ANGLE LENGTH T	*CTC A	B	C	BRACKET D
2'0"	20"	18"	6"	3"	12"
2'2"	22"	20"	6.7"	4"	14"
2'6"	26"	24"	8"	6"	14"
3'0"	32"	30"	10"	6"	20"
3'6"	38"	36"	12"	7"	24"
4'0"	44"	42"	14"	8"	28"
4'6"	50"	48"	16"	9"	32"
5'0"	56"	54"	18"	10"	36"
5'6"	62"	60"	20"	11"	40"
6'0"	68"	66"	22"	12"	44"
6'6"	74"	72"	24"	13"	48"
6'10"	78"	76"	25.3"	14"	50"
7'0"	80"	78"	26"	14"	52"
7'6"	86"	84"	28"	15"	56"
8'0"	92"	90"	30"	16"	60"
8'6"	98"	96"	32"	17"	68"
9'0"	104"	102"	34"	18"	68"
9'6"	110"	108"	36"	19"	72"
10'0"	116"	114"	38"	20"	76"

AB-0121 Mini-Brac

SE-0903 Sign Hanger w/ Cable Dampener

SE-0902 Sign Hanger w/ Cable Dampener

SE-0547 Angle

Sign Hanger Assy, Free-Swinging, Cable Dampener w/ Stainless Band Mini-Brac for Overhead Street Name Sign

CTC Band Length Coating
 SE-5128 - - -
 See Sign Table See Table PNC=Process No Color
 P__=Paint

Band Length:	29"	42"	56"	72"
Maximum Pole Dia:	7.3"	11.5"	15.9"	21.0"

Note:
Stainless upgrade includes stainless steel pins.

Note: 1. All assemblies are supplied standard with stainless steel cable, clamp screw, and fasteners, with galvanized pins. Stainless upgrade of pins available.
 2. See Reference Section page v for available paint colors.



Span Wire Sign Hanger Assemblies

Pelco manufactures a variety of sign brackets in rigid and free-swinging mounts for both flat and internally illuminated signs. Assemblies with cable dampeners provide stability in lower wind speeds, but are flexible enough to bend in extreme wind events.



SIGN MTGS



Span Wire Sign Hanger, 16" CTC, Adjustable with Tether, Alum

SE-5116 - - -

Bushing	Stainless Upgrade	Coating
Blank=None	Blank=Galv	PNC=Process No Color
SB=Stainless	SS=Stainless	P__=Paint
Bushing		

Note: Stainless upgrade includes stainless steel fasteners and pins on span wire clamp.

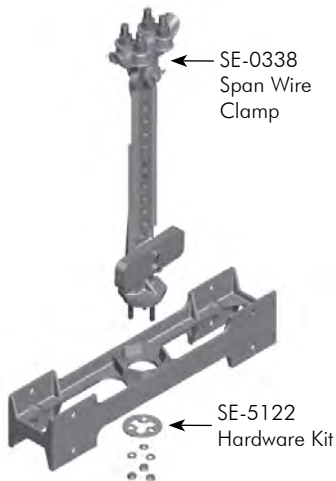


Span Wire Sign Hanger, 16" CTC, Adjustable with Stabilizer Bar, Alum

SE-5114 - - -

Bushing	Stainless Upgrade	Coating
Blank=None	Blank=Galv	PNC=Process No Color
SB=Stainless	SS=Stainless	P__=Paint
Bushing		

Note: Stainless upgrade includes stainless steel fasteners and pins on span wire clamp.



Span Wire Sign Hanger, Double, 16" CTC, Adjustable with Tether, Alum

SE-5112 - - -

Bushing	Stainless Upgrade	Coating
Blank=None	Blank=Galv	PNC=Process No Color
SB=Stainless	SS=Stainless	P__=Paint
Bushing		

Note: Stainless upgrade includes stainless steel fasteners and pins on span wire clamp.



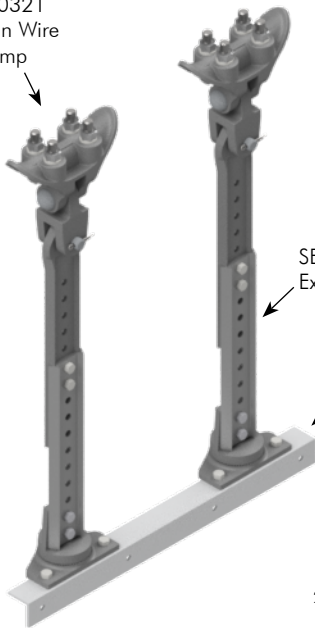
Span Wire Sign Hanger Assemblies

Pelco manufactures a variety of sign brackets in rigid and free-swinging mounts for both flat and internally illuminated signs. Assemblies with cable dampeners provide stability in lower wind speeds, but are flexible enough to bend in extreme wind events.



Sign Hanger Assy, Free-Swinging w/ Span Wire Clamp for Overhead Street Name Sign

SE-0321
Span Wire
Clamp



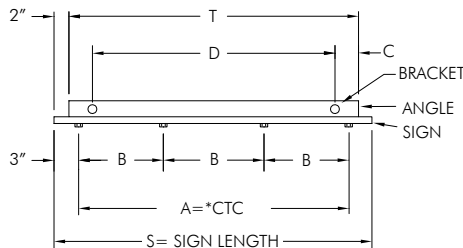
SE-0507
Extender

SE-0547
Angle

SE-5219 - CTC - Extender - Bushing - Stainless Upgrade - Coating

*See Chart Blank=No Extender Blank=None Blank=Galv PNC=Process No Color
11=11" Extenders SB=Stainless Bushing SS=Stainless P__=Paint

Note:
Shown with extenders.
Stainless upgrade includes stainless steel fasteners and pins on span wire clamp.



SIGNS 3'-6" to 9'-0" LONG					
SIGN LENGTH	ANGLE LENGTH	*CTC			BRACKET
S	T	A	B	C	D
2'0"	20"	18"	6"	3"	12"
2'2"	22"	20"	6.7"	4"	14"
2'6"	26"	24"	8"	6"	14"
3'0"	32"	30"	10"	6"	20"
3'6"	38"	36"	12"	7"	24"
4'0"	44"	42"	14"	8"	28"
4'6"	50"	48"	16"	9"	32"
5'0"	56"	54"	18"	10"	36"
5'6"	62"	60"	20"	11"	40"
6'0"	68"	66"	22"	12"	44"
6'6"	74"	72"	24"	13"	48"
6'10"	78"	76"	25.3"	14"	50"
7'0"	80"	78"	26"	14"	52"
7'6"	86"	84"	28"	15"	56"
8'0"	92"	90"	30"	16"	60"
8'6"	98"	96"	32"	17"	68"
9'0"	104"	102"	34"	18"	68"
9'6"	110"	108"	36"	19"	72"
10'0"	116"	114"	38"	20"	76"

Note: 1. All assemblies are supplied standard with stainless steel slotted washers and fasteners with galvanized fasteners and pins on span wire clamps. Stainless upgrade available.
2. See Reference Section page v for available paint colors..

Note: 1. All assemblies are supplied standard with stainless steel fasteners with galvanized fasteners and pins on span wire clamps. Stainless upgrade available.
2. See Reference Section page v for available paint colors..



Span Wire Sign Hanger Assemblies

Pelco manufactures a variety of sign brackets in rigid and free-swinging mounts for both flat and internally illuminated signs. Assemblies with cable dampeners provide stability in lower wind speeds, but are flexible enough to bend in extreme wind events.



SE-0321
Span Wire Clamp



SE-5123
Hardware Kit

Sign Hanger Assy, Free-Swinging Span Wire Mount, Tri-Stud, Alum

SE-5214	-	<input type="text"/>	-	<input type="text"/>	-	<input type="text"/>	-	<input type="text"/>
		Extender		Bushing		Stainless Upgrade		Coating
		Blank=No Extender 11=11" Extenders		Blank=None SB=Stainless Bushing		Blank=Galv SS=Stainless		PNC=Process No Color P__=Paint

Note:
Shown with extenders.
Stainless upgrade includes stainless steel fasteners and pins on span wire clamp.

Note: 1. All assemblies are supplied standard with stainless steel slotted washers and fasteners with galvanized fasteners and pins on span wire clamps. Stainless upgrade available.
2. See Reference Section page v for available paint colors..



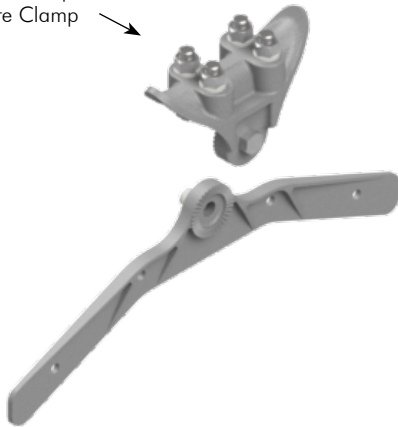
Span Wire Sign Hanger Assemblies

Pelco manufactures a variety of sign brackets in rigid and free-swinging mounts for both flat and internally illuminated signs. Assemblies with cable dampeners provide stability in lower wind speeds, but are flexible enough to bend in extreme wind events.

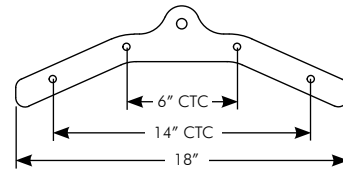


Span Wire Sign Hanger, 6" & 14" CTC Serrated Span Wire Clamp, Alum

SE-3213
Serrated Span
Wire Clamp



SE-5115 - Coating
PNC=Process No Color
P__=Paint

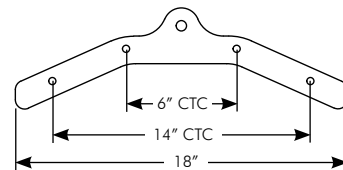


Span Wire Sign Hanger, 6" & 14" CTC 90° Span Wire Clamp, Adjustable, Alum

SE-3212
90° Span wire
Clamp



SE-5111 - Stainless Bushing - Coating
SB=Stainless PNC=Process No Color
P__=Paint



Note: 1. All assemblies are supplied standard with stainless steel fasteners.
2. See Reference Section page v for available paint colors.

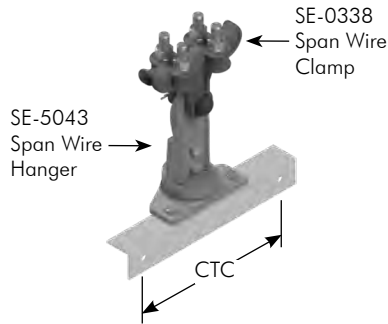


Span Wire Sign Hanger Assemblies

Pelco manufactures a variety of sign brackets in rigid and free-swinging mounts for both flat and internally illuminated signs. Assemblies with cable dampeners provide stability in lower wind speeds, but are flexible enough to bend in extreme wind events.



SIGN MOUNTS



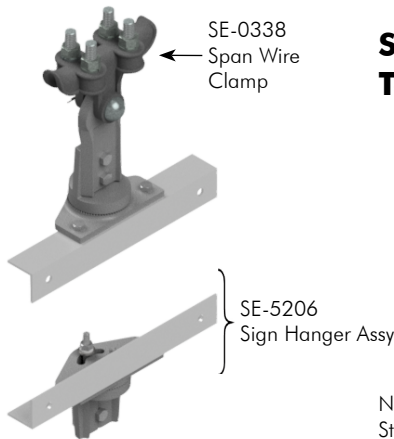
Sign Hanger Assy, Iron Span Wire Clamp, Alum

SE-5190 - - - -

CTC Bushing Stainless Upgrade Coating
See Chart Blank=None Blank=Galv PNC=Process No Color
SB=Stainless SS=Stainless P__=Paint
Bushing

CTC	SIGN
11"	16"
13"	18"
19"	24"
25"	30"
31"	36"
37"	42"

Note: Stainless upgrade includes stainless steel fasteners and pins on span wire clamp.



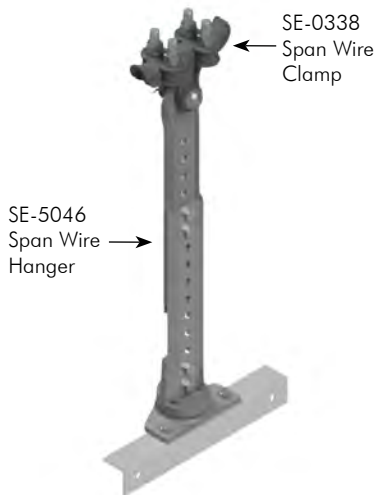
Sign Hanger Assy, Iron Span Wire Clamp, Top & Bottom Mount w/ Tether, Alum

SE-5189 - - - -

CTC Bushing Stainless Upgrade Coating
See Chart Blank=None Blank=Galv PNC=Process No Color
SB=Stainless SS=Stainless P__=Paint
Bushing

CTC	SIGN
11"	16"
13"	18"
19"	24"
25"	30"
31"	36"
37"	42"

Note: Stainless upgrade includes stainless steel fasteners and pins on span wire clamp.



Sign Hanger Assy, Adjustable, Iron Span Wire Clamp, Alum

SE-5191 - - - - -

CTC Tether Assy Bushing Stainless Upgrade Coating
See Chart Blank=None Blank=None Blank=Galv PNC=Process No Color
T=Tether SB=Stainless SS=Stainless P__=Paint
Bushing

CTC	SIGN
11"	16"
13"	18"
19"	24"
25"	30"
31"	36"
37"	42"

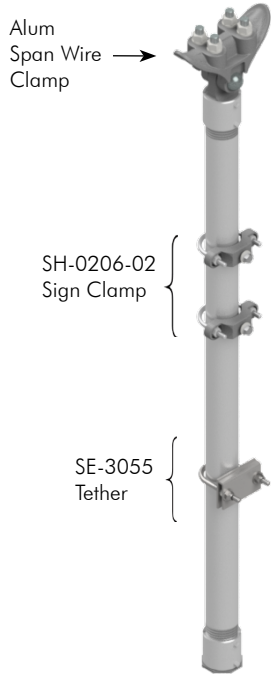
Note: Stainless upgrade includes stainless steel fasteners and pins on span wire clamp.

Note: 1. All assemblies are supplied standard with stainless steel fasteners with galvanized fasteners and pins on span wire clamps. Stainless upgrade available.
2. See Reference Section page v for available paint colors.



Span Wire Sign Hanger Assemblies

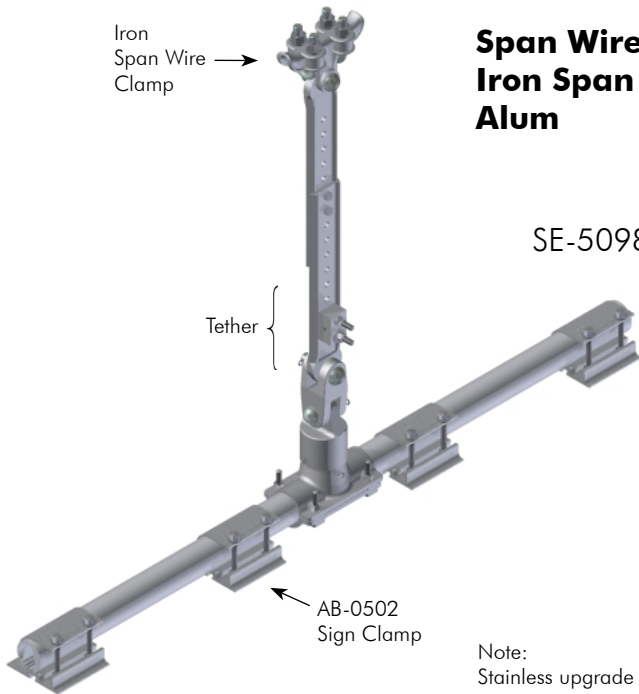
Pelco manufactures a variety of sign brackets in rigid and free-swinging mounts for both flat and internally illuminated signs. Assemblies with cable dampeners provide stability in lower wind speeds, but are flexible enough to bend in extreme wind events.



Span Wire Sign Hanger Assy, Free-Swinging Alum Span Wire Clamp, Gusseted Tube & Tether, Alum

	Tube Length	Bushing	Stainless Upgrade	Coating
SE-5226	- <input type="text"/>	- <input type="text"/>	- <input type="text"/>	- <input type="text"/>
	37=37" Tube 52=52" Tube 65=65" Tube 72=72" Tube 96=96" Tube	Blank=None SB=Stainless Bushing	Blank=Galv SS=Stainless	PNC=Process No Color P__=Paint

Note:
Stainless upgrade includes stainless steel fasteners and pins on span wire clamp.



Span Wire Sign Hanger Assy, Free-Swinging Iron Span Wire Clamp, Tether & Sign Clamps, Alum

	Bushing	Stainless Upgrade	Coating
SE-5098	- <input type="text"/>	- <input type="text"/>	- <input type="text"/>
	Blank=None SB=Stainless Bushing	Blank=Galv SS=Stainless	PNC=Process No Color P__=Paint

Note:
Stainless upgrade includes stainless steel fasteners and pins on span wire clamp.

Note: 1. All assemblies are supplied standard with stainless steel slotted washers and fasteners with galvanized fasteners and pins on span wire clamps. Stainless upgrade available.
2. See Reference Section page v for available paint colors..

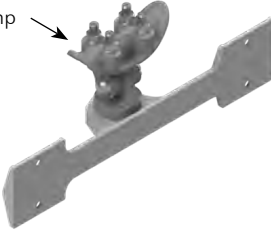


Span Wire Sign Hanger Assemblies

Pelco manufactures a variety of sign brackets in rigid and free-swinging mounts for both flat and internally illuminated signs. Assemblies with cable dampeners provide stability in lower wind speeds, but are flexible enough to bend in extreme wind events.



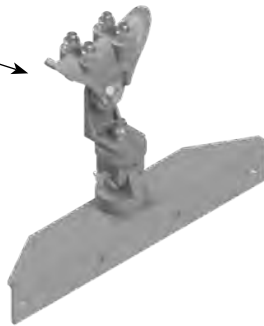
SE-3212
Span Wire
Clamp



Free-Swinging Sign Hanger, 90° Span Wire Clamp, 16" CTC, Alum

SE-5117 - -
 Bushing Coating
 Blank=None PNC=Process No Color
 SB=Stainless P__=Paint
 Bushing

SE-3213
Span Wire
Clamp



Free-Swinging Sign Hanger, Serrated Span Wire Clamp, Adjustable, 16-1/2" CTC, Alum

SE-5169 - -
 Bushing Coating
 Blank=None PNC=Process No Color
 SB=Stainless P__=Paint
 Bushing

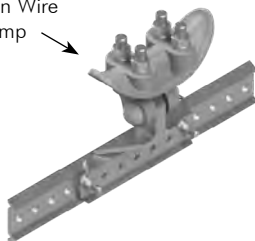
SE-3212
Span Wire
Clamp



Free-Swinging Sign Hanger, 90° Span Wire Clamp, 7-Hole, Alum

SE-5167 - -
 Bushing Coating
 Blank=None PNC=Process No Color
 SB=Stainless P__=Paint
 Bushing

SE-3212
Span Wire
Clamp



Free-Swinging Sign Hanger, 90° Span Wire Clamp, Extender, Alum

SE-5168 - -
 CTC Coating
 See Chart PNC=Process No Color
 P__=Paint

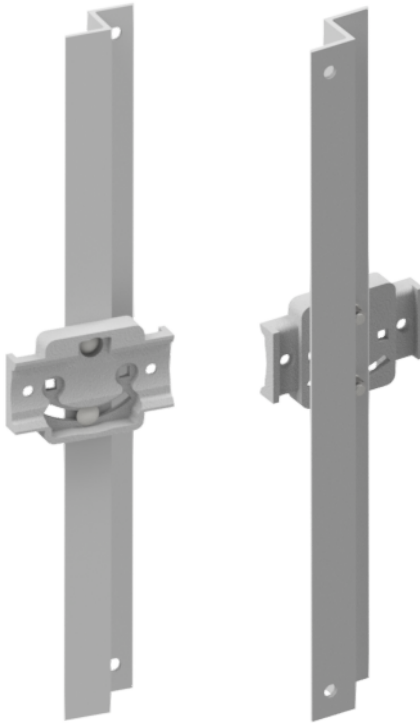
CTC	EXTENDER
15"	16"
21"	22"
33"	34"

Note: 1. All assemblies are supplied standard with stainless steel slotted washers and fasteners
 2. See Reference Section page v for available paint colors..



Sign Mount Assemblies

Pelco manufactures a variety of sign brackets in rigid and free-swinging mounts for both flat and internally illuminated signs. Assemblies with cable dampeners provide stability in lower wind speeds, but are flexible enough to bend in extreme wind events.



Rear View

Front View

Adjustable Sign Mount Assy, Mast Arm Mount w/ Zee Bar, Alum

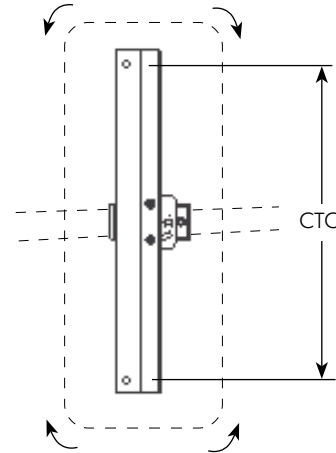
Zee Bar
CTC

SH-0112 - -

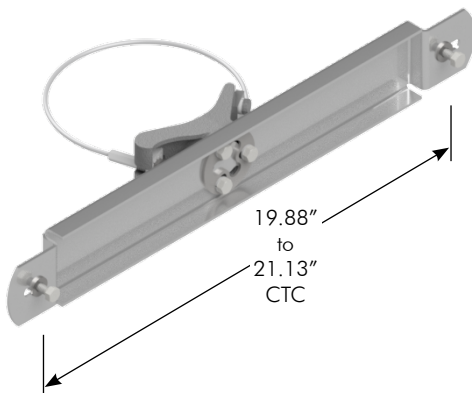
24=24"
30=30"
36=36"
42=42"
Blank=None

Coating

PNC=Process No Color
P__=Paint



Sign Mount Assy, Regulatory Stainless Cable Mini-Brac, Alum



Cable Length

SH-3568 - -

See Table

Coating

PNC=Process No Color
P__=Paint

Cable Length:	45"	62"	84"
Maximum Pole Dia:	11.1"	16.6"	22.0"

Note:
Maximum sign size of 36" x 36" for 100 MPH winds.

- Note: 1. All assemblies are supplied standard with stainless steel cable and fasteners.
2. See Reference Section page v for available paint colors.
3. See Section T16 for additional sign mounting assemblies.



Sign Accessories

Pelco's safety cable assemblies are available for span wire, Astro-Brac, and sign hanger assemblies.



SIGN MTGS



Safety Cable for Span Wire

SE-3294 - -

Cable Length Galv

84=84" Blank=Galv
96=96" SS=Stainless
110=110"

Note:
Cable length refers to overall length. Assembled length is half of the cable length.



Safety Cable for Astro-Brac

AB-0503 - -

Cable Length Galv

84=84" Blank=Galv
96=96" SS=Stainless
110=110"

Note:
Cable length refers to overall length. Assembled length is half of the cable length.



Safety Cable for Sign Hangers, Stainless

SH-1867 - - SS

Cable Length

24=24"
48=48"
72=72"
100=100"
120=120"

Note:
Cable length refers to overall length. Assembled length is half of the cable length.

Note: 1. All assemblies are supplied standard with stainless steel fasteners.

pelco
PELCO PRODUCTS, INC.

Sign Accessories

Accessories for sign mountings such as hangers, extenders, and tethers are available in a variety of configurations.



Hanger Assy, Extender Connector for 1/2" Slot, w/ 1-1/4" Bolts, Alum



SE-5037 - -
 Bushing Coating
 Blank=None PNC=Process No Color
 SB=Stainless P__=Paint
 Bushing

Hanger Assy, Extender Connector for 3/4" Slot, w/ 1-1/4" Bolts, Alum

SE-5197 - -
 Bushing Coating
 Blank=None PNC=Process No Color
 SB=Stainless P__=Paint
 Bushing

Hanger & Body Assy for 1/2" Slot, Tri-Stud, Alum



SE-5123
Hardware Kit

SE-5036 - -
 Bushing Coating
 Blank=None PNC=Process No Color
 SB=Stainless P__=Paint
 Bushing

Extender Assy for 1/2" Slot, w/ Extender Connector & Extender, Alum



SE-5180 - - -
 Extender Bushing Coating
 Length
 11=11" Blank=None PNC=Process No Color
 19=19" SS=Stainless P__=Paint
 40=40" Bushing
 72=72"

Note: 1. All assemblies are supplied standard with stainless steel slotted washer and fasteners.
 2. See Reference Section page v for available paint colors.

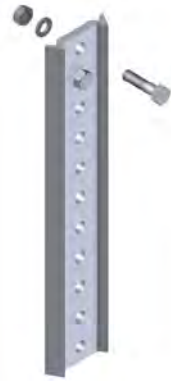


SIGN MTGS


 PELCO PRODUCTS, INC.

Sign Accessories

Accessories for sign mountings such as hangers, extenders, and tethers are available in a variety of configurations.



Extender, Alum w/ 5/16"-18 x 1-1/4" Bolts

SE-5181 - - PNC

Extender Length

06=6"
11=11"
19=19"
24=24"
40=40"
72=72"

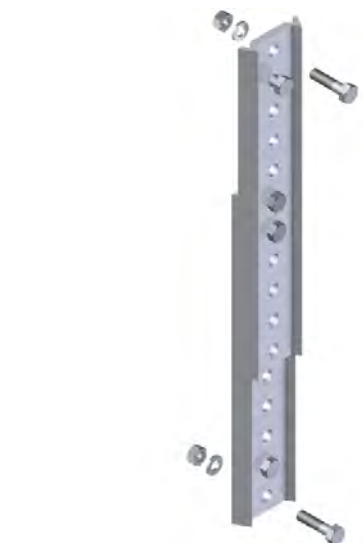


Extender Assy w/ Tether, Alum w/ 5/16"-18 x 1-1/2" Bolts

SE-5051 - - PNC

Extender Length

06=6"
11=11"
19=19"
24=24"
40=40"
72=72"



Extender Assy w/ 11" Extenders, Alum w/ 5/16"-18 x 1" & 1-1/2" Bolts

SE-5069 -

Coating

PNC=Process No Color
P__=Paint

Note: 1. All assemblies are supplied standard with stainless steel fasteners.
2. See Reference Section page v for available paint colors.



Sign Accessories

Sign mountings accessories such as hangers, extenders, cable dampeners, tethers, and sign-brac tube are available in a variety of configurations.



Tether Plate Assembly, Alum w/ 5/16"-18 x 2-1/4" Bolts

SE-5039-PNC



Tether Plate Assembly, Alum w/ 5/16"-18 x 1-1/2" Bolts

SE-2509-PNC



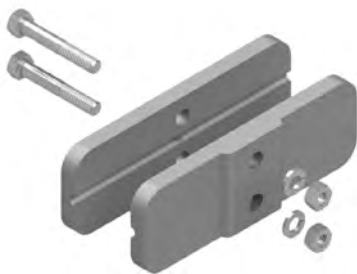
Tether Plate Assembly, Alum w/ Stabilizer Bars & 5/16"-18 x 1-3/4" Bolts

SE-2512 -

Coating

PNC=Process No Color

P__=Paint



Tether Plate Assembly, Alum w/ Stabilizer Bar, Block, & 5/16"-18 x 2" Bolts

SE-2519 -

Coating

PNC=Process No Color

P__=Paint

Note: 1. All assemblies are supplied standard with stainless steel fasteners.
2. See Reference Section page v for available paint colors.



Sign Accessories

Sign mountings accessories such as hangers, extenders, cable dampeners, tethers, and sign-brac tube are available in a variety of configurations.

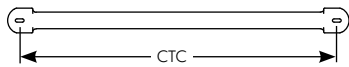


SIGN MTGS

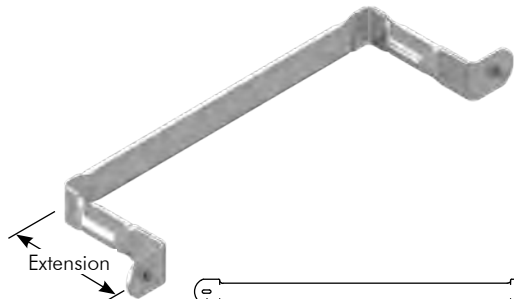


Sign-Brac Tube w/ 5/16"-18 Hardware, 1-1/2" Sch 10 Alum

AB-0507 - -
 CTC Coating
 See Table PNC=Process No Color
 P__=Paint

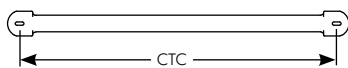


Max CTC:	9"	12"	15"	18"	24"	30"	36"	42"	48"	60"
Sign Length:	15"	18"	21"	24"	30"	36"	42"	48"	54"	66"

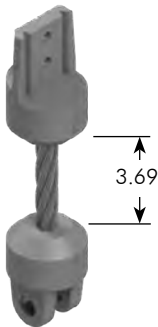


Sign-Brac Tube, Extended w/ 5/16"-18 Hardware, 1-1/2" Sch 10 Alum

AB-0365 - - -
 Extension CTC Coating
 See Table PNC=Process No Color
 P__=Paint
 6=6" Extension
 8=8" Extension
 12=12" Extension

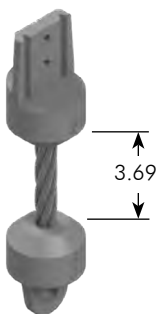


Max CTC:	9"	12"	15"	18"	24"	30"	36"	42"	48"
Sign Length:	15"	18"	21"	24"	30"	36"	42"	48"	54"



Cable Dampener, Span Wire, Alum w/ Double Clevis & 3/4" Stainless Cable

SE-0700 - -
 Bushing Coating
 Blank=None PNC=Process No Color
 SB=Stainless P__=Paint
 Bushing



Cable Dampener, Span Wire, Alum w/ Single Clevis & 3/4" Stainless Cable

SE-0701 - -
 Bushing Coating
 Blank=None PNC=Process No Color
 SB=Stainless P__=Paint
 Bushing

Note: 1. All assemblies are supplied standard with stainless steel fasteners.
 2. See Reference Section page v for available paint colors.

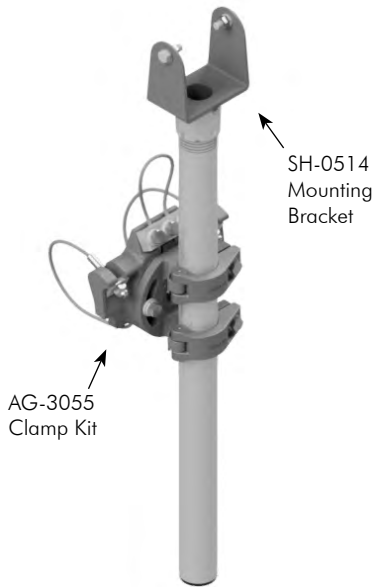


This page is intentionally left blank.



Astro-Brac 1-Piece Camera Bracket Cable Mount

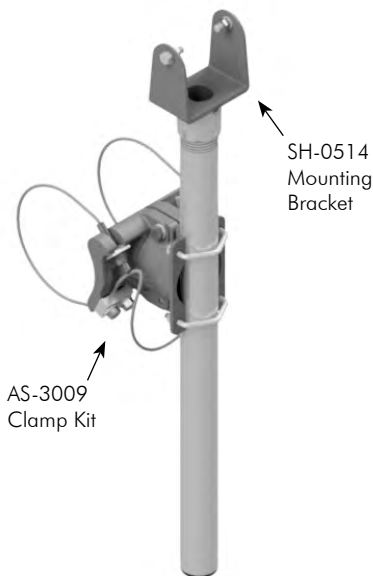
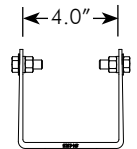
Pelco makes adjustable brackets for cameras, sensors and antennas that can mount a variety of traffic industry devices. Video Detection camera brackets are available for mast arm, post top, span wire or side-of-pole applications.



Galaxy Camera Bracket, 1-Piece Extended Tilt & Pan, Alum Stainless Cable Mount

1.94" OD Tube Length Cable Length Coating
 AG-0175 - - -
 23=23" Tube See Table PNC=Process No Color
 37=37" Tube P__=Paint
 46=46" Tube
 58=58" Tube
 74=74" Tube

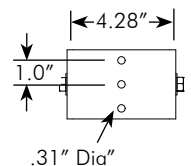
Cable Length:	62"	84"	96"	120"	144"	220"	280"
Maximum Pole Dia:	7.0"	10.5"	12.4"	16.2"	20.1"	32.2"	35.0"
Pole Dia w/ Ty-back:	4.5"	7.6"	9.6"	13.4"	17.2"	29.3"	35.0"



Stellar Camera Bracket, 1-Piece Extended Tilt & Pan, Alum Stainless Cable Mount

1.94" OD Tube Length Cable Length Coating
 AS-0175 - - -
 23=23" Tube See Table PNC=Process No Color
 37=37" Tube P__=Paint
 46=46" Tube
 58=58" Tube
 74=74" Tube

Cable Length:	62"	84"	96"	120"	144"	220"	280"
Maximum Pole Dia:	7.0"	10.5"	12.4"	16.2"	20.1"	32.2"	35.0"
Pole Dia w/ Ty-back:	4.5"	7.6"	9.6"	13.4"	17.2"	29.3"	35.0"



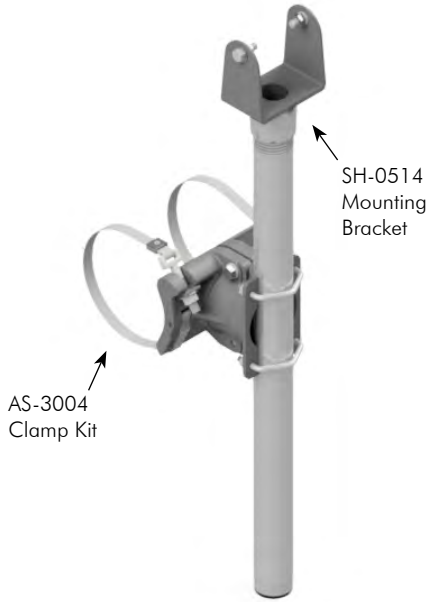
- Note: 1. All assemblies are supplied standard with stainless steel cable, clamp screw, and fasteners.
 2. See T7-28-and T7-29 for camera mounting brackets.
 3. See Reference Section page v for available paint colors.



Astro-Brac

1-Piece Camera Bracket Band and Tenon Mount

Pelco makes adjustable brackets for cameras, sensors and antennas that can mount a variety of traffic industry devices. Video Detection camera brackets are available for mast arm, post top, span wire or side-of-pole applications.

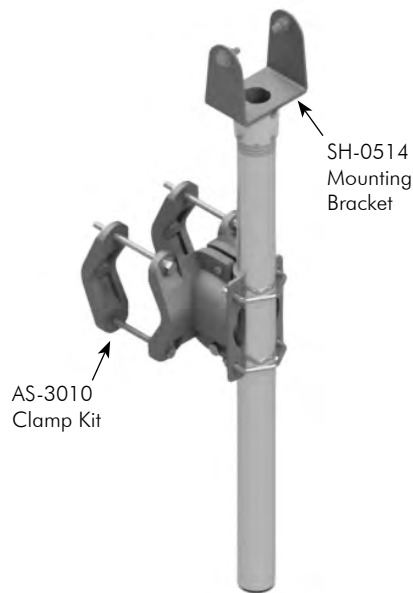
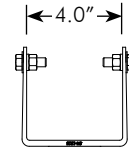


Stellar Camera Bracket, 1-Piece Extended Tilt & Pan, Alum Stainless Band Mount

AS-0170 - 1.94" OD Tube Length - Band Length - Coating

23=23" Tube See Table PNC=Process No Color
 37=37" Tube P__=Paint
 46=46" Tube
 58=58" Tube
 74=74" Tube

Band Length:	29"	42"	56"	72"	114"
Maximum Pole Dia:	7.3"	11.5"	15.9"	21.0"	34.4"

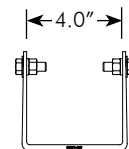


Stellar Camera Bracket, 1-Piece Extended Tilt & Pan, Alum Tenon Mount

AS-0629 - 1.94" OD Tube Length - Coating

23=23" Tube PNC=Process No Color
 37=37" Tube P__=Paint
 46=46" Tube
 58=58" Tube
 74=74" Tube

Note:
Fits 1.9" to 4.5" diameter.

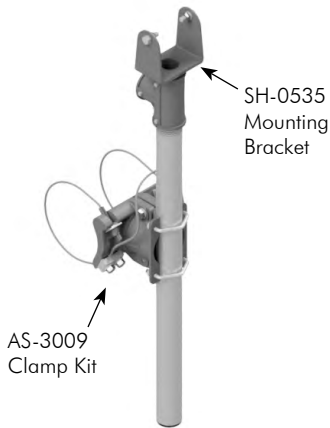


- Note: 1. All assemblies are supplied standard with stainless steel cable, clamp screw, and fasteners.
 2. See T7-28-and T7-29 for camera mounting brackets.
 3. See Reference Section page v for available paint colors.



Astro-Brac 1-Piece Camera Bracket with Service Wire Outlet

Pelco makes adjustable brackets for cameras, sensors and antennas that can mount a variety of traffic industry devices. Video Detection camera brackets are available for mast arm, post top, span wire or side-of-pole applications.

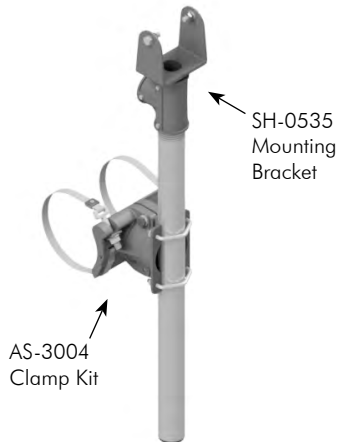
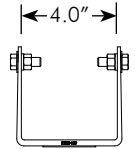


Stellar Camera Bracket, 1-Piece Extended Tilt & Pan w/ Service Wire Outlet, Alum Stainless Cable Mount

AS-0166 - - -

1.94" OD Tube Length Cable Length Coating
 23=23" Tube See Table PNC=Process No Color
 37=37" Tube P__=Paint
 46=46" Tube
 58=58" Tube
 74=74" Tube

Cable Length:	62"	84"	96"	120"	144"	220"	280"
Maximum Pole Dia:	7.0"	10.5"	12.4"	16.2"	20.1"	32.2"	35.0"
Pole Dia w/ Ty-back:	4.5"	7.6"	9.6"	13.4"	17.2"	29.3"	35.0"

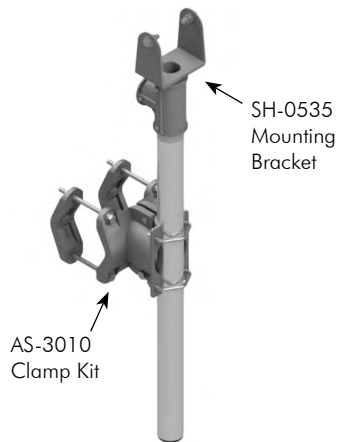
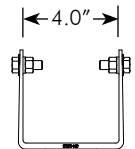


Stellar Camera Bracket, 1-Piece Extended Tilt & Pan w/ Service Wire Outlet, Alum Stainless Band Mount

AS-0177 - - -

1.94" OD Tube Length Band Length Coating
 23=23" Tube See Table PNC=Process No Color
 37=37" Tube P__=Paint
 46=46" Tube
 58=58" Tube
 74=74" Tube

Band Length:	29"	42"	56"	72"	114"
Maximum Pole Dia:	7.3"	11.5"	15.9"	21.0"	34.4"

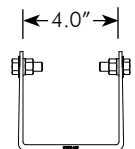


Stellar Camera Bracket, 1-Piece Extended Tilt & Pan w/ Service Wire Outlet, Alum Tenon Mount

AS-0654 - -

1.94" OD Tube Length Coating
 23=23" Tube PNC=Process No Color
 37=37" Tube P__=Paint
 46=46" Tube
 58=58" Tube
 74=74" Tube

Note:
Fits 1.9" to 4.5" diameter.



- Note: 1. All assemblies are supplied standard with stainless steel cable, clamp screw, and fasteners.
 2. See T7-28-and T7-29 for camera mounting brackets.
 3. See Reference Section page v for available paint colors.



Astro-Brac

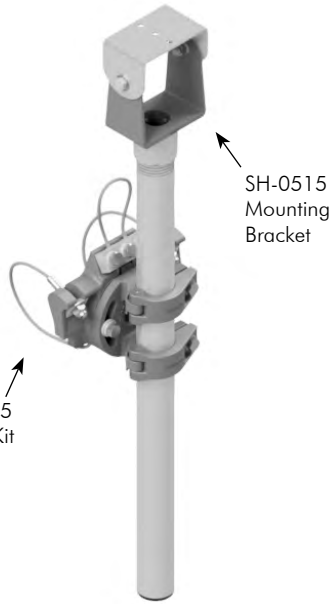
2-Piece Camera Bracket

Cable Mount

Pelco makes adjustable brackets for cameras, sensors and antennas that can mount a variety of traffic industry devices. Video Detection camera brackets are available for mast arm, post top, span wire or side-of-pole applications.



CAMERA MOUNTS



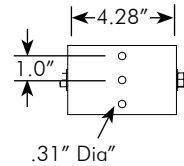
Galaxy Camera Bracket, 2-Piece Extended Tilt & Pan, Alum Stellar Cable Mount

AG-0169 - - -

1.94" OD Tube Length Cable Length Coating

23=23" Tube See Table PNC=Process No Color
37=37" Tube P__=Paint
46=46" Tube
58=58" Tube
74=74" Tube

Cable Length:	62"	84"	96"	120"	144"	220"	280"
Maximum Pole Dia:	7.0"	10.5"	12.4"	16.2"	20.1"	32.2"	35.0"
Pole Dia w/ Ty-back:	4.5"	7.6"	9.6"	13.4"	17.2"	29.3"	35.0"



AG-3055
Clamp Kit

SH-0515
Mounting
Bracket

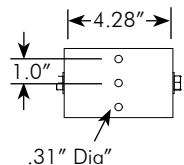
Stellar Camera Bracket, 2-Piece Extended Tilt & Pan, Alum Stainless Cable Mount, Alum

AS-0169 - - -

1.94" OD Tube Length Cable Length Coating

23=23" Tube See Table PNC=Process No Color
37=37" Tube P__=Paint
46=46" Tube
58=58" Tube
74=74" Tube

Cable Length:	62"	84"	96"	120"	144"	220"	280"
Maximum Pole Dia:	7.0"	10.5"	12.4"	16.2"	20.1"	32.2"	35.0"
Pole Dia w/ Ty-back:	4.5"	7.6"	9.6"	13.4"	17.2"	29.3"	35.0"



AS-3009
Clamp Kit

SH-0515
Mounting
Bracket

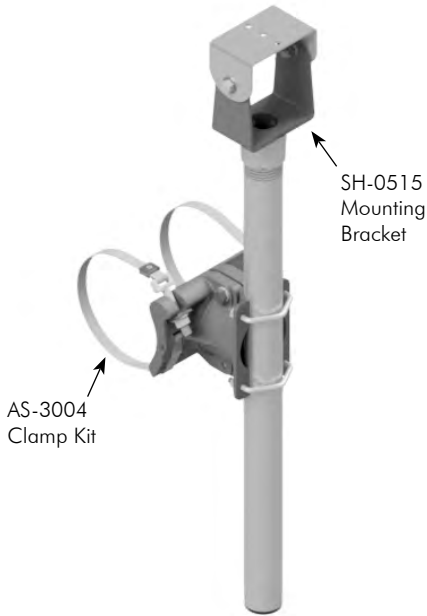


- Note: 1. All assemblies are supplied standard with stainless steel cable, clamp screw, and fasteners.
2. See T7-28-and T7-29 for camera mounting brackets.
3. See Reference Section page v for available paint colors.



Astro-Brac 2-Piece Camera Bracket Band and Tenon Mount

Pelco makes adjustable brackets for cameras, sensors and antennas that can mount a variety of traffic industry devices. Video Detection camera brackets are available for mast arm, post top, span wire or side-of-pole applications.

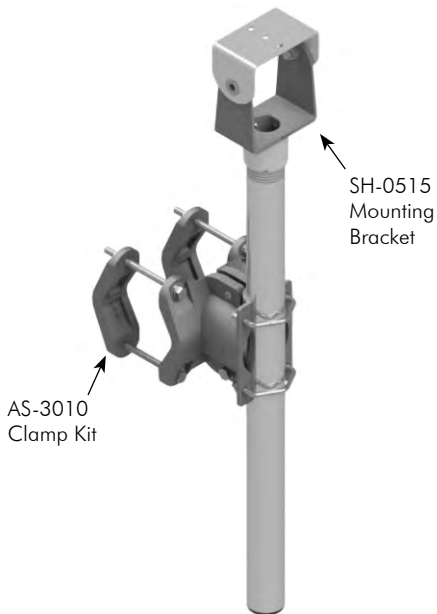
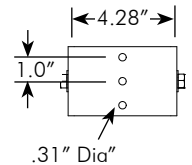


Stellar Camera Bracket, 2-Piece Extended Tilt & Pan, Alum Stainless Band Mount

AS-0172 - - -

1.94" OD Tube Length Band Length Coating
 23=23" Tube See Table PNC=Process No Color
 37=37" Tube Table P__=Paint
 46=46" Tube
 58=58" Tube
 74=74" Tube

Band Length:	29"	42"	56"	72"	114"
Maximum Pole Dia:	7.3"	11.5"	15.9"	21.0"	34.4"

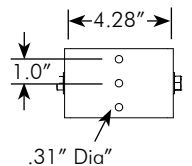


Stellar Camera Bracket, 2-Piece Extended Tilt & Pan, Alum Tenon Mount

AS-0653 - -

1.94" OD Tube Length Coating
 23=23" Tube PNC=Process No Color
 37=37" Tube Table P__=Paint
 46=46" Tube
 58=58" Tube
 74=74" Tube

Note:
Fits 1.9" to 4.5" diameter.

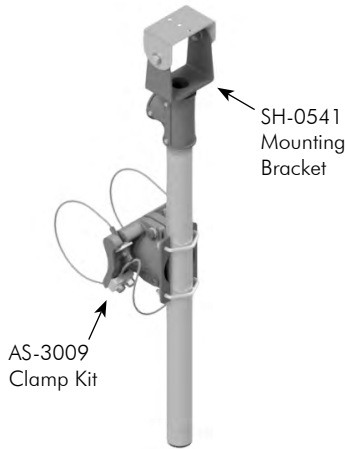


- Note: 1. All assemblies are supplied standard with stainless steel cable, clamp screw, and fasteners.
 2. See T7-28-and T7-29 for camera mounting brackets.
 3. See Reference Section page v for available paint colors.



Astro-Brac 2-Piece Camera Bracket with Service Wire Outlet

Pelco makes adjustable brackets for cameras, sensors and antennas that can mount a variety of traffic industry devices. Video Detection camera brackets are available for mast arm, post top, span wire or side-of-pole applications.

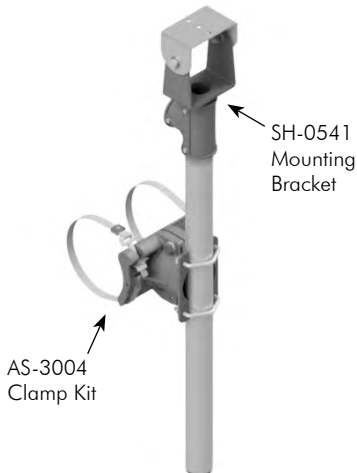
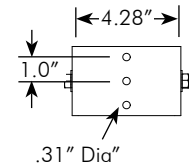


Stellar Camera Bracket, 2-Piece Extended Tilt & Pan w/ Service Wire Outlet, Alum Stainless Cable Mount

AS-0164 - - -

1.94" OD Tube Length Cable Length Coating
 23=23" Tube See Table PNC=Process No Color
 37=37" Tube P__=Paint
 46=46" Tube
 58=58" Tube
 74=74" Tube

Cable Length:	62"	84"	96"	120"	144"	220"	280"
Maximum Pole Dia:	7.0"	10.5"	12.4"	16.2"	20.1"	32.2"	35.0"
Pole Dia w/ Ty-back:	4.5"	7.6"	9.6"	13.4"	17.2"	29.3"	35.0"

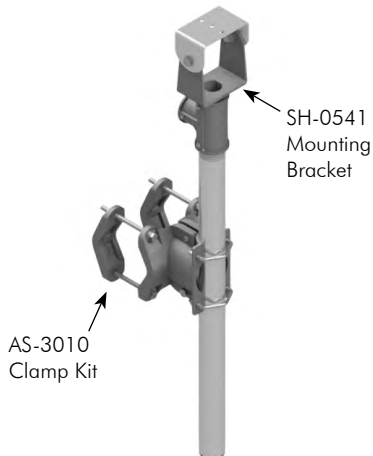
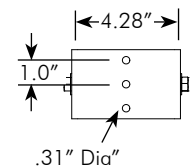


Stellar Camera Bracket, 2-Piece Extended Tilt & Pan w/ Service Wire Outlet, Alum Stainless Band Mount

AS-0173 - - -

1.94" OD Tube Length Band Length Coating
 23=23" Tube See Table PNC=Process No Color
 37=37" Tube P__=Paint
 46=46" Tube
 58=58" Tube
 74=74" Tube

Band Length:	29"	42"	56"	72"	114"
Maximum Pole Dia:	7.3"	11.5"	15.9"	21.0"	34.4"

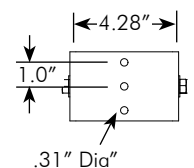


Stellar Camera Bracket, 2-Piece Extended Tilt & Pan w/ Service Wire Outlet, Alum Tenon Mount

AS-0655 - -

1.94" OD Tube Length Coating
 23=23" Tube PNC=Process No Color
 37=37" Tube P__=Paint
 46=46" Tube
 58=58" Tube
 74=74" Tube

Note:
Fits 1.9" to 4.5" diameter.

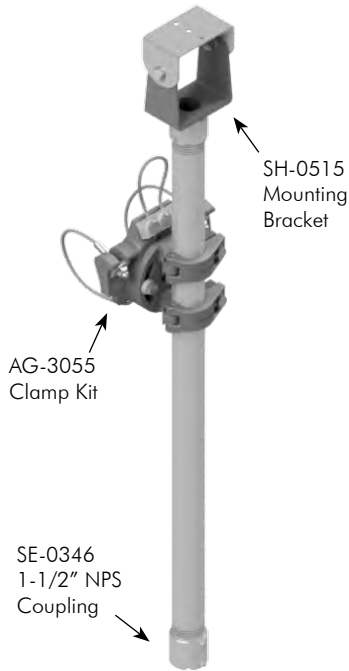


- Note: 1. All assemblies are supplied standard with stainless steel cable, clamp screw, and fasteners.
 2. See T7-28 and T7-29 for camera mounting brackets.
 3. See Reference Section page v for available paint colors.



Astro-Brac 2-Piece Camera Bracket Cable Mount

Pelco makes adjustable brackets for cameras, sensors and antennas that can mount a variety of traffic industry devices. Video Detection camera brackets are available for mast arm, post top, span wire or side-of-pole applications.



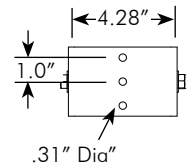
Galaxy Camera Bracket, Dual, 2-Piece Extended Tilt & Pan, Alum Stainless Cable Mount

1.94" OD Tube Length Cable Length Coating

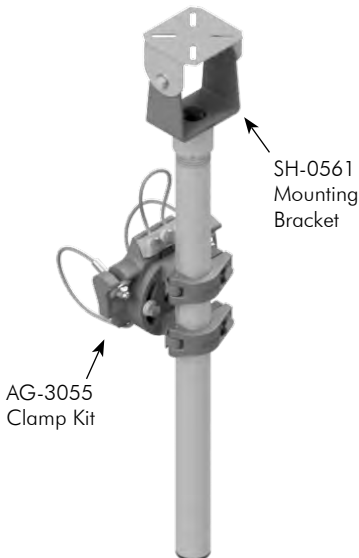
AG-0697 - - -

23=23" Tube See Table PNC=Process No Color
37=37" Tube Table P_ =Paint
46=46" Tube
58=58" Tube
74=74" Tube

Cable Length:	62"	84"	96"	120"	144"	220"	280"
Maximum Pole Dia:	7.0"	10.5"	12.4"	16.2"	20.1"	32.2"	35.0"
Pole Dia w/ Ty-back:	4.5"	7.6"	9.6"	13.4"	17.2"	29.3"	35.0"



Galaxy Camera Bracket, Radar, 2-Piece Extended Tilt & Pan, Alum Stainless Cable Mount

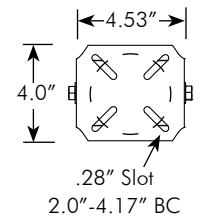


1.94" OD Tube Length Cable Length Coating

AG-0698 - - -

23=23" Tube See Table PNC=Process No Color
37=37" Tube Table P_ =Paint
46=46" Tube
58=58" Tube
74=74" Tube

Cable Length:	62"	84"	96"	120"	144"	220"	280"
Maximum Pole Dia:	7.0"	10.5"	12.4"	16.2"	20.1"	32.2"	35.0"
Pole Dia w/ Ty-back:	4.5"	7.6"	9.6"	13.4"	17.2"	29.3"	35.0"



- Note: 1. All assemblies are supplied standard with stainless steel cable, clamp screw, and fasteners.
2. See T7-28-and T7-29 for camera mounting brackets.
3. See Reference Section page v for available paint colors.

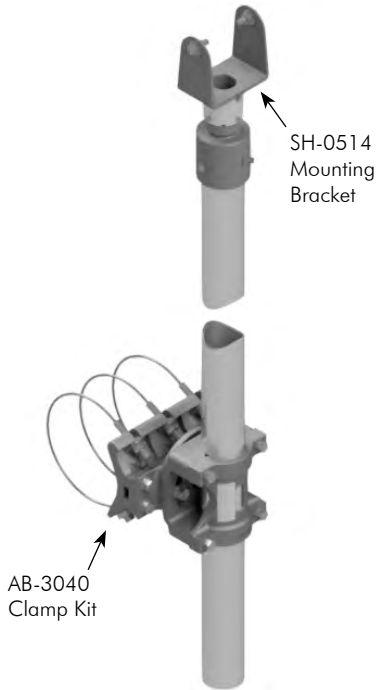


This page is intentionally left blank.



Astro-Brac 1-Piece Camera Bracket Triton Series

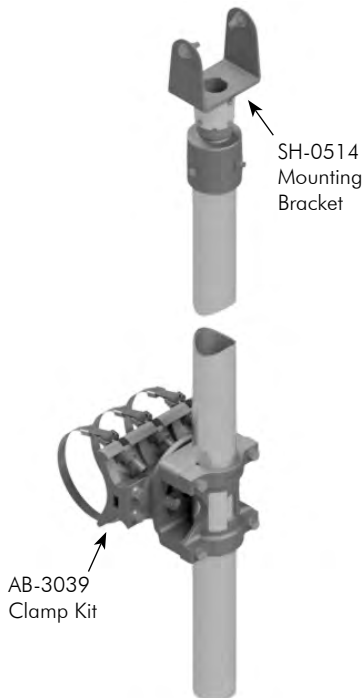
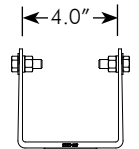
With three bands or cables and a 2-3/8" OD tube the Triton Camera Bracket is an ideal solution for heavier items and higher mountings. A member of the Astro-Brac family, the bracket rotates 360°, has greater strength, and can reach up to a 15' height.



Triton Camera Bracket, 1-Piece Extended Tilt & Pan, Alum Stainless Cable Mount

2.38" OD Tube Length Cable Length Coating
 AB-0601 - - -
 120=10' Tube See Table PNC=Process No Color
 144=12' Tube P__=Paint
 180=15' Tube

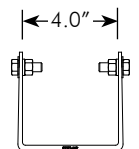
Cable Length:	45"	62"	84"
Maximum Pole Dia:	11.1"	16.6"	22.0"



Triton Camera Bracket, 1-Piece Extended Tilt & Pan, Alum Stainless Band Mount

2.38" OD Tube Length Band Length Coating
 AB-0600 - - -
 120=10' Tube See Table PNC=Process No Color
 144=12' Tube P__=Paint
 180=15' Tube

Band Length:	29"	42"	56"	72"
Maximum Pole Dia:	7.3"	11.5"	15.9"	21.0"



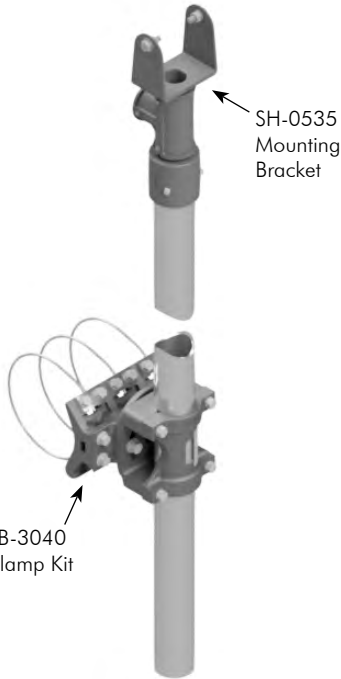
- Note: 1. All assemblies are supplied standard with stainless steel cable, clamp screw, and fasteners.
 2. See T7-28-and T7-29 for camera mounting brackets.
 3. See Reference Section page v for available paint colors.



Astro-Brac 1-Piece Camera Bracket with Service Wire Outlet Triton Series



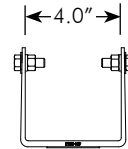
With three bands or cables and a 2-3/8" OD tube the Triton Camera Bracket is an ideal solution for heavier items and higher mountings. A member of the Astro-Brac family, the bracket rotates 360°, has greater strength, and can reach up to a 15' height.



Triton Camera Bracket, 1-Piece Extended Tilt & Pan w/ Service Wire Outlet, Alum Stainless Cable Mount

2.38" OD Tube Length Cable Length Coating
 AB-0613 - - -
 120=10' Tube See Table PNC=Process No Color
 144=12' Tube P__=Paint
 180=15' Tube

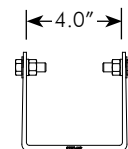
Cable Length:	45"	62"	84"
Maximum Pole Dia:	11.1"	16.6"	22.0"



Triton Camera Bracket, 1-Piece Extended Tilt & Pan w/ Service Wire Outlet, Alum Stainless Band Mount

2.38" OD Tube Length Band Length Coating
 AB-0612 - - -
 120=10' Tube See Table PNC=Process No Color
 144=12' Tube P__=Paint
 180=15' Tube

Band Length:	29"	42"	56"	72"
Maximum Pole Dia:	7.3"	11.5"	15.9"	21.0"

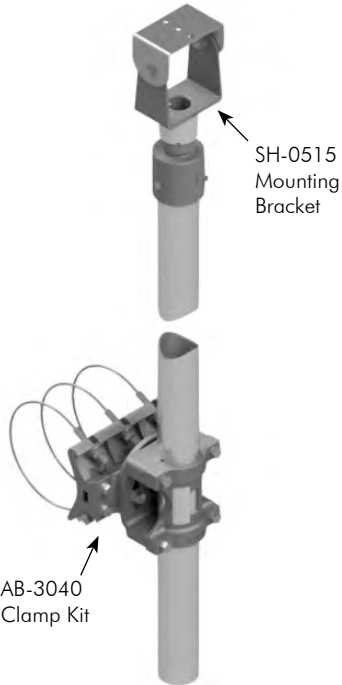


- Note: 1. All assemblies are supplied standard with stainless steel cable, clamp screw, and fasteners.
 2. See T7-28-and T7-29 for camera mounting brackets.
 3. See Reference Section page v for available paint colors.



Astro-Brac 2-Piece Camera Bracket Triton Series

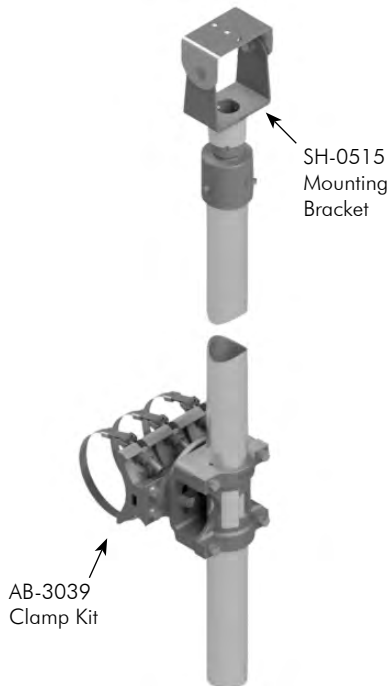
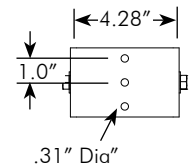
With three bands or cables and a 2-3/8" OD tube the Triton Camera Bracket is an ideal solution for heavier items and higher mountings. A member of the Astro-Brac family, the bracket rotates 360°, has greater strength, and can reach up to a 15' height.



Triton Camera Bracket, 2-Piece Extended Tilt & Pan, Alum Stainless Cable Mount

2.38" OD Tube Length Cable Length Coating
 AB-0611 - - -
 120=10' Tube See Table PNC=Process No Color
 144=12' Tube P__=Paint
 180=15' Tube

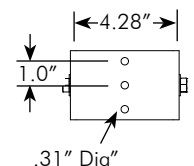
Cable Length:	45"	62"	84"
Maximum Pole Dia:	11.1"	16.6"	22.0"



Triton Camera Bracket, 2-Piece Extended Tilt & Pan, Alum Stainless Band Mount

2.38" OD Tube Length Band Length Coating
 AB-0610 - - -
 120=10' Tube See Table PNC=Process No Color
 144=12' Tube P__=Paint
 180=15' Tube

Band Length:	29"	42"	56"	72"
Maximum Pole Dia:	7.3"	11.5"	15.9"	21.0"



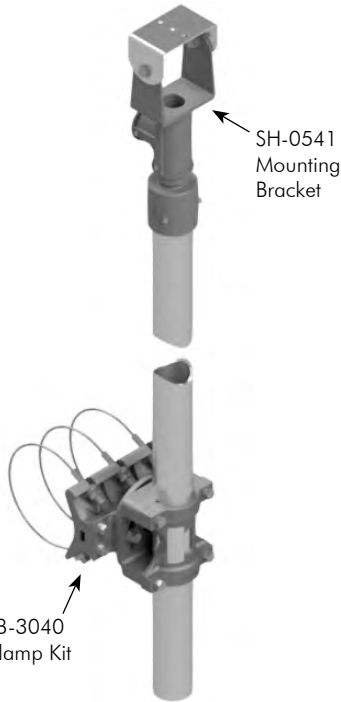
- Note: 1. All assemblies are supplied standard with stainless steel cable, clamp screw, and fasteners.
 2. See T7-28-and T7-29 for camera mounting brackets.
 3. See Reference Section page v for available paint colors.



Astro-Brac 2-Piece Camera Bracket with Service Wire Outlet Triton Series



With three bands or cables and a 2-3/8" OD tube the Triton Camera Bracket is an ideal solution for heavier items and higher mountings. A member of the Astro-Brac family, the bracket rotates 360°, has greater strength, and can reach up to a 15' height.



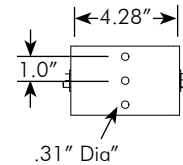
Triton Camera Bracket, 2-Piece Extended Tilt & Pan w/ Service Wire Outlet, Alum Stainless Cable Mount

AB-0615 - - -

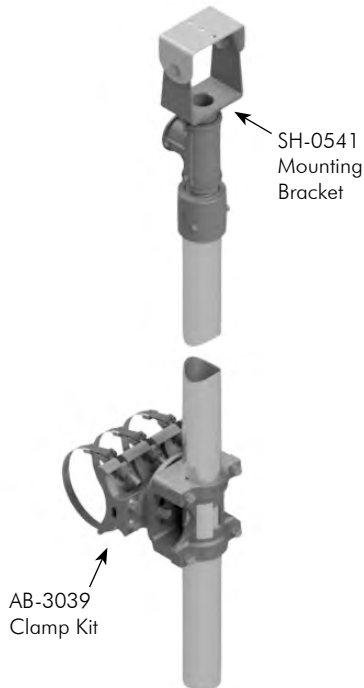
2.38" OD Tube Length Cable Length Coating

120=10' Tube See Table PNC=Process No Color
144=12' Tube P__=Paint
180=15' Tube

Cable Length:	45"	62"	84"
Maximum Pole Dia:	11.1"	16.6"	22.0"



CAMERA MOUNTS



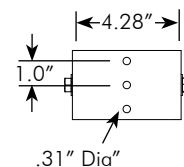
Triton Camera Bracket, 2-Piece Extended Tilt & Pan w/ Service Wire Outlet, Alum Stainless Band Mount

AB-0614 - - -

2.38" OD Tube Length Band Length Coating

120=10' Tube See Table PNC=Process No Color
144=12' Tube P__=Paint
180=15' Tube

Band Length:	29"	42"	56"	72"
Maximum Pole Dia:	7.3"	11.5"	15.9"	21.0"



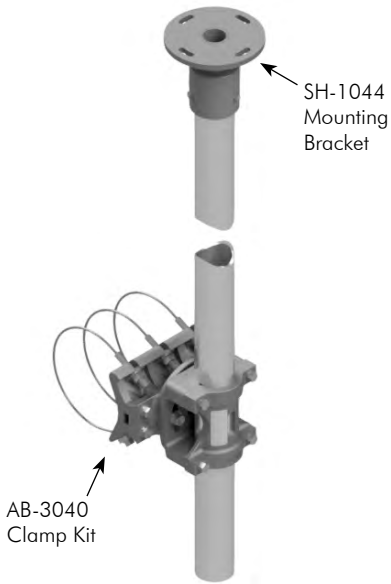
pelco
PELCO PRODUCTS, INC.

- Note: 1. All assemblies are supplied standard with stainless steel cable, clamp screw, and fasteners.
2. See T7-28-and T7-29 for camera mounting brackets.
3. See Reference Section page v for available paint colors.



Astro-Brac Camera Bracket COHU Type

Designed to mount COHU type cameras, the 1-piece or 2-piece brackets have a 4-3/4" mounting bolt circle. Brackets are available with Pelco's Stellar series clamp kits with a 1-15/16" OD tube or the more robust Triton series clamp kits with a 2-3/8" OD tube.



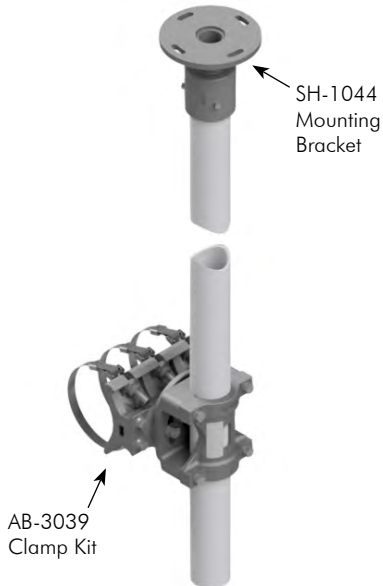
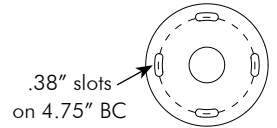
Triton Camera Bracket, COHU Type, Alum Stainless Cable Mount

2.38" OD Tube Length Cable Length Coating

AB-0628 - - -

120=10' Tube See Table PNC=Process No Color
144=12' Tube P__=Paint
180=15' Tube

Cable Length:	45"	62"	84"
Maximum Pole Dia:	11.1"	16.6"	22.0"



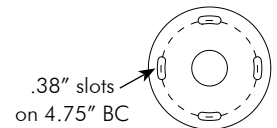
Triton Camera Bracket, COHU Type, Alum Stainless Band Mount

2.38" OD Tube Length Band Length Coating

AB-0627 - - -

120=10' Tube See Table PNC=Process No Color
144=12' Tube P__=Paint
180=15' Tube

Band Length:	29"	42"	56"	72"
Maximum Pole Dia:	7.3"	11.5"	15.9"	21.0"



- Note: 1. All assemblies are supplied standard with stainless steel cable, clamp screw, and fasteners.
2. See T7-28-and T7-29 for camera mounting brackets.
3. See Reference Section page v for available paint colors.

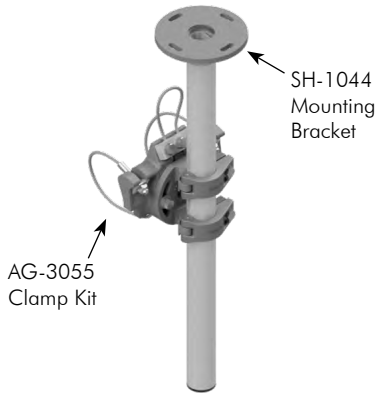


Astro-Brac Camera Bracket COHU Type

Designed to mount COHU type cameras, the 1-piece or 2-piece brackets have a 4-3/4" mounting bolt circle. Brackets are available with Pelco's Stellar series clamp kits with a 1-15/16" OD tube or the more robust Triton series clamp kits with a 2-3/8" OD tube.

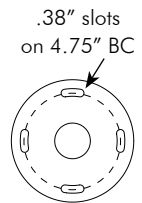


Galaxy Camera Bracket, COHU Type, Alum Stainless Cable Mount



1.94" OD Tube Length Cable Length Coating
 AG-0619 - - -
 23=23" Tube See Table PNC=Process No Color
 37=37" Tube P__=Paint
 46=46" Tube
 58=58" Tube
 74=74" Tube

Cable Length:	62"	84"	96"	120"	144"	220"	280"
Maximum Pole Dia:	7.0"	10.5"	12.4"	16.2"	20.1"	32.2"	35.0"
Pole Dia w/ Ty-back:	4.5"	7.6"	9.6"	13.4"	17.2"	29.3"	35.0"

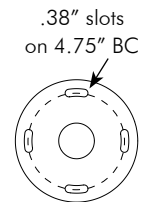


Stellar Camera Bracket, COHU Type, Alum Stainless Cable Mount



1.94" OD Tube Length Cable Length Coating
 AS-0619 - - -
 23=23" Tube See Table PNC=Process No Color
 37=37" Tube P__=Paint
 46=46" Tube
 58=58" Tube
 74=74" Tube

Cable Length:	62"	84"	96"	120"	144"	220"	280"
Maximum Pole Dia:	7.0"	10.5"	12.4"	16.2"	20.1"	32.2"	35.0"
Pole Dia w/ Ty-back:	4.5"	7.6"	9.6"	13.4"	17.2"	29.3"	35.0"

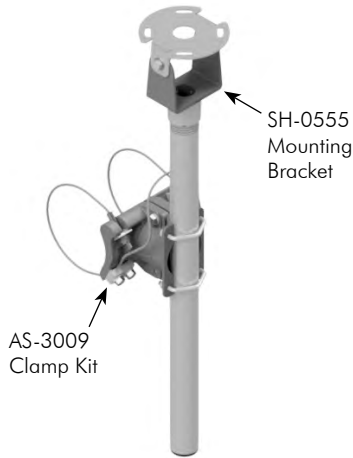


- Note: 1. All assemblies are supplied standard with stainless steel cable, clamp screw, and fasteners.
 2. See T7-28-and T7-29 for camera mounting brackets.
 3. See Reference Section page v for available paint colors.



Astro-Brac Camera Bracket COHU Type

Designed to mount COHU type cameras, the 1-piece or 2-piece brackets have a 4-3/4" mounting bolt circle. Brackets are available with Pelco's Stellar series clamp kits with a 1-15/16" OD tube or the more robust Triton series clamp kits with a 2-3/8" OD tube.



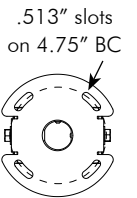
Stellar Camera Bracket, 2-Piece COHU Type, Alum Stainless Cable Mount

AS-0682 - - -

1.94" OD Tube Length Cable Length Coating

23=23" Tube See Table PNC=Process No Color
37=37" Tube P_ =Paint
46=46" Tube
58=58" Tube
74=74" Tube

Cable Length:	62"	84"	96"	120"	144"	220"	280"
Maximum Pole Dia:	7.0"	10.5"	12.4"	16.2"	20.1"	32.2"	35.0"
Pole Dia w/ Ty-back:	4.5"	7.6"	9.6"	13.4"	17.2"	29.3"	35.0"



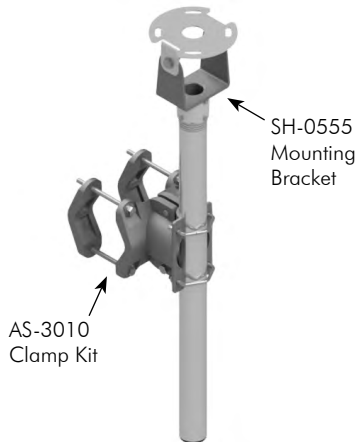
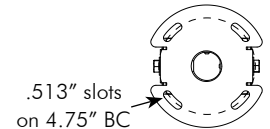
Stellar Camera Bracket, 2-Piece COHU Type, Alum Stainless Band Mount

AS-0681 - - -

1.94" OD Tube Length Band Length Coating

23=23" Tube See Table PNC=Process No Color
37=37" Tube P_ =Paint
46=46" Tube
58=58" Tube
74=74" Tube

Band Length:	29"	42"	56"	72"	114"
Maximum Pole Dia:	7.3"	11.5"	15.9"	21.0"	34.4"



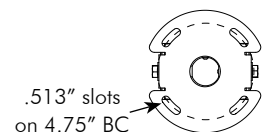
Stellar Camera Bracket, 2-Piece COHU Type, Alum Tenon Mount

AS-0683 - -

1.94" OD Tube Length Coating

23=23" Tube PNC=Process No Color
37=37" Tube P_ =Paint
46=46" Tube
58=58" Tube
74=74" Tube

Note:
Fits 1.9" to 4.5" diameter.



- Note: 1. All assemblies are supplied standard with stainless steel cable, clamp screw, and fasteners.
2. See T7-28-and T7-29 for camera mounting brackets.
3. See Reference Section page v for available paint colors.

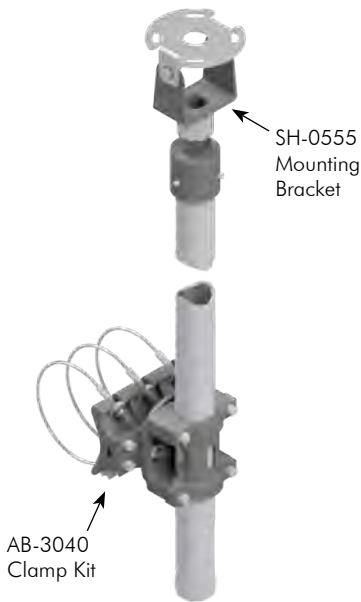


Astro-Brac Camera Bracket COHU Type

Designed to mount COHU type cameras, the 1-piece or 2-piece brackets have a 4-3/4" mounting bolt circle. Brackets are available with Pelco's Stellar series clamp kits with a 1-15/16" OD tube or the more robust Triton series clamp kits with a 2-3/8" OD tube.



Triton Camera Bracket, 2-Piece COHU Type, Alum Stainless Cable Mount

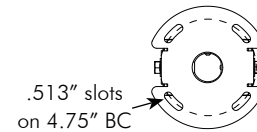


AB-0699 - - -

2.38" OD Tube Length Cable Length Coating

120=10' Tube See Table PNC=Process No Color
144=12' Tube P__=Paint
180=15' Tube

Cable Length:	45"	62"	84"
Maximum Pole Dia:	11.1"	16.6"	22.0"



CAMERA MOUNTS

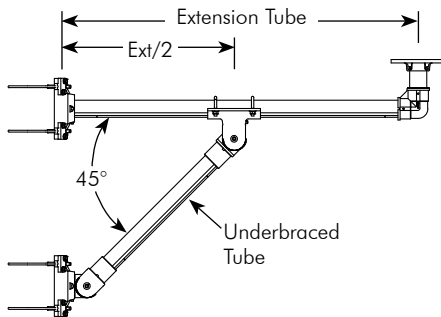
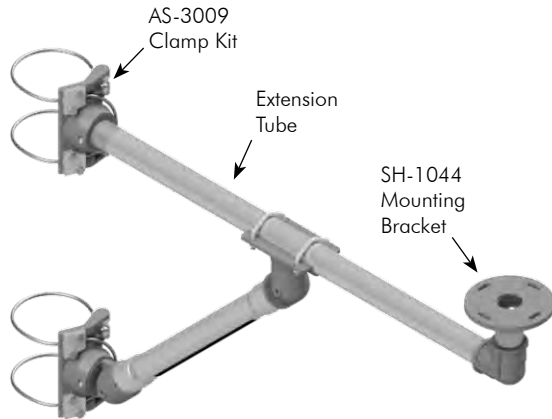

 PELCO PRODUCTS, INC.

Note: 1. All assemblies are supplied standard with stainless steel cable, clamp screw, and fasteners.
2. See T7-28-and T7-29 for camera mounting brackets.
3. See Reference Section page v for available paint colors.



Astro-Brac Camera Bracket Underbraced COHU Type

The underbraced Camera Bracket provides a longer reach than what a single clamp kit can provide. Designed for mounting COHU type cameras this bracket is available with optional extension tube lengths.



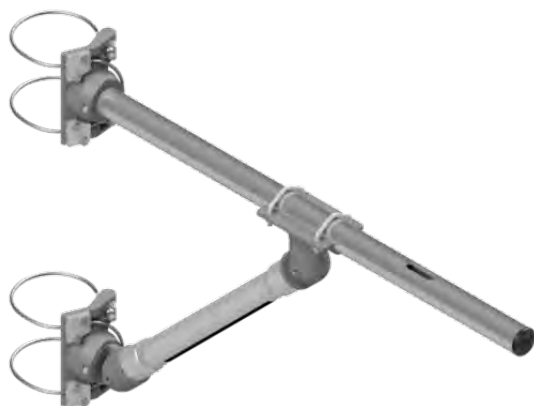
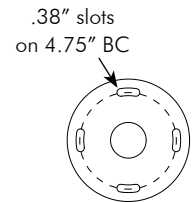
Stellar Camera Bracket, COHU Type, Extended Underbraced, Alum Stainless Cable Mount

AB-0704 - - - -

See Table See Table See Cable Table PNC=Process No Color
P__=Paint

Extension Tube:	37"	46"	60"	74"
Underbrace Tube:	18"	23"	32"	42"

Cable Length:	62"	84"	96"	120"	144"	220"	280"
Maximum Pole Dia:	7.0"	10.5"	12.4"	16.2"	20.1"	32.2"	35.0"
Pole Dia w/ Ty-back:	4.5"	7.6"	9.6"	13.4"	17.2"	29.3"	35.0"



Stellar Camera Bracket, Extended Underbraced, Alum Stainless Cable Mount

AB-0685 - - - -

See Table See Table See Cable Table PNC=Process No Color
P__=Paint

Extension Tube:	37"	46"	60"	74"
Underbrace Tube:	18"	23"	32"	42"

Cable Length:	62"	84"	96"	120"	144"	220"	280"
Maximum Pole Dia:	7.0"	10.5"	12.4"	16.2"	20.1"	32.2"	35.0"
Pole Dia w/ Ty-back:	4.5"	7.6"	9.6"	13.4"	17.2"	29.3"	35.0"

Note:
See SH-0557 for camera mounting bracket.

- Note: 1. All assemblies are supplied standard with stainless steel cable, clamp screw, and fasteners.
2. See T7-28-and T7-29 for camera mounting brackets.
3. See Reference Section page v for available paint colors.



This page is intentionally left blank.



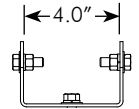
Mast Arm Mount

Pelco makes adjustable brackets for cameras, sensors and antennas that can mount a variety of traffic industry devices. Video Detection camera brackets are available for mast arm, post top, span wire or side-of-pole applications.



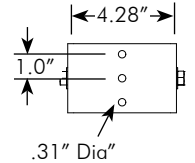
Camera Bracket, 1-Piece Tilt & Pan, Alum Mast Arm Mount

SH-0510 - Coating
 PNC=Process No Color
 P__=Paint



Camera Bracket, 2-Piece Tilt & Pan, Alum Mast Arm Mount

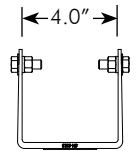
SH-0501 - Coating
 PNC=Process No Color
 P__=Paint



SH-0514
Mounting Bracket

Camera Bracket, 1-Piece Extended Tilt & Pan, Alum Mast Arm Mount

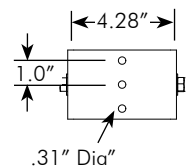
SH-0509 - - Nipple Length Coating
 06=6" Nipple PNC=Process No Color
 10=10" Nipple P__=Paint
 11=11" Nipple
 12=12" Nipple



SH-0515
Mounting Bracket

Camera Bracket, 2-Piece Extended Tilt & Pan, Alum Mast Arm Mount

SH-0504 - - Nipple Length Coating
 06=6" Nipple PNC=Process No Color
 10=10" Nipple P__=Paint
 11=11" Nipple
 12=12" Nipple



- Note: 1. All assemblies are supplied standard with stainless steel fasteners.
 2. See T7-28-and T7-29 for camera mounting brackets.
 3. See Reference Section page v for available paint colors.

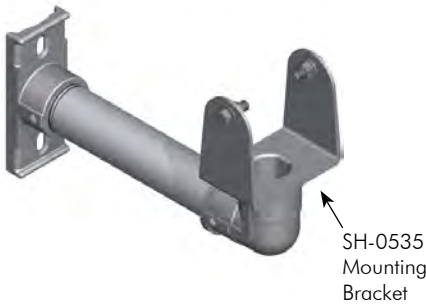


Side-of-Pole Extended Vertical Mount

Pelco makes adjustable brackets for cameras, sensors and antennas that can mount a variety of traffic industry devices. Video Detection camera brackets are available for mast arm, post top, span wire or side-of-pole applications.



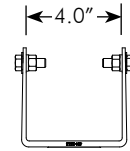
Camera Bracket, 1-Piece Extended Tilt & Pan, Alum Vertical Mount



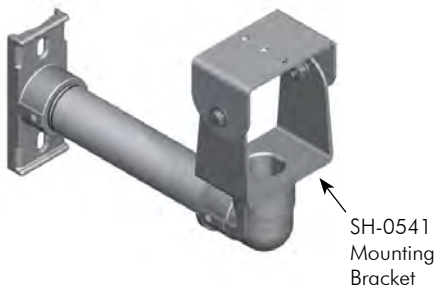
SH-0527 - -

Nipple Length Coating

11=11" Nipple PNC=Process No Color
12=12" Nipple P__=Paint
24=24" Nipple



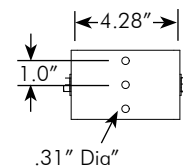
Camera Bracket, 2-Piece Extended Tilt & Pan, Alum Vertical Mount



SH-0503 - -

Nipple Length Coating

11=11" Nipple PNC=Process No Color
12=12" Nipple P__=Paint
24=24" Nipple



- Note: 1. All assemblies are supplied standard with stainless steel fasteners.
2. See T7-28-and T7-29 for camera mounting brackets.
3. See Reference Section page v for available paint colors.



Post Top Mount

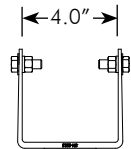
Pelco makes adjustable brackets for cameras, sensors and antennas that can mount a variety of traffic industry devices. Video Detection camera brackets are available for mast arm, post top, span wire or side-of-pole applications.



Camera Bracket, 1-Piece Tilt & Pan, Alum Post Top Mount for 4-1/2" OD Pole



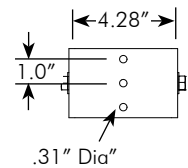
SH-0520 - Coating
 PNC=Process No Color
 P__=Paint



Camera Bracket, 2-Piece Tilt & Pan, Alum Post Top Mount for 4-1/2" OD Pole



SH-0519 - Coating
 PNC=Process No Color
 P__=Paint



- Note: 1. All assemblies are supplied standard with stainless steel fasteners.
 2. See T7-28-and T7-29 for camera mounting brackets.
 3. See Reference Section page v for available paint colors.



Span Wire Mount

Pelco makes adjustable brackets for cameras, sensors and antennas that can mount a variety of traffic industry devices. Video Detection camera brackets are available for mast arm, post top, span wire or side-of-pole applications.

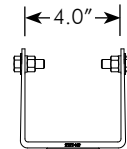


Camera Bracket, 2-Piece Extended Tilt & Pan w/ Service Wire Outlet, Alum Span Wire Mount

SH-0526 - - -

1.9" OD Tube Length Stainless Upgrade Coating

23=23" Tube Blank=Galv PNC=Process No Color
37=37" Tube SS=Stainless P__=Paint
46=46" Tube
58=58" Tube
74=74" Tube



Note:
Stainless upgrade includes stainless steel fasteners and pins on span wire clamp.

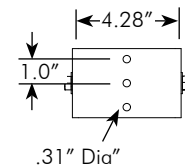


Camera Bracket, 2-Piece Extended Tilt & Pan w/ Service Wire Outlet Span Wire Mount, Alum

SH-0532 - - -

1.9" OD Tube Length Stainless Upgrade Coating

23=23" Tube Blank=Galv PNC=Process No Color
37=37" Tube SS=Stainless P__=Paint
46=46" Tube
58=58" Tube
74=74" Tube



Note:
Stainless upgrade includes stainless steel fasteners and pins on span wire clamp.

- Note: 1. All assemblies are supplied standard with stainless steel fasteners with galvanized fasteners and pins on span wire clamps. Stainless upgrade available.
2. See T7-28 and T7-29 for camera mounting brackets.
3. See Reference Section page v for available paint colors..



CAMERA MOUNTS

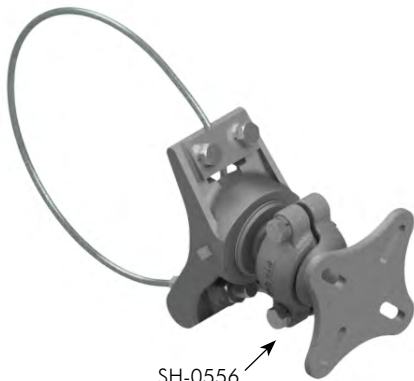
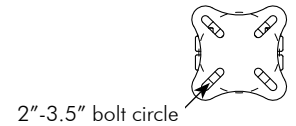
Orbital Mount

Pelco's Orbital Mount is a versatile and flexible omni-directional mounting assembly. It's ball and socket mechanism provides an infinite degree of solution for a variety of application that require precise aiming and directional adjustability, including wireless antennas, motion detectors, radios, cameras, lights and other sensing devices. An almost endless number of options can be added to enhance the capabilities of these versatile mounting assemblies.



Orbital Ball Mount, 1-1/2" NPS External Threads 2" to 3-1/2" BC, Alum

SH-0556 - -
 Coating
 PNC=Process No Color
 P__=Paint

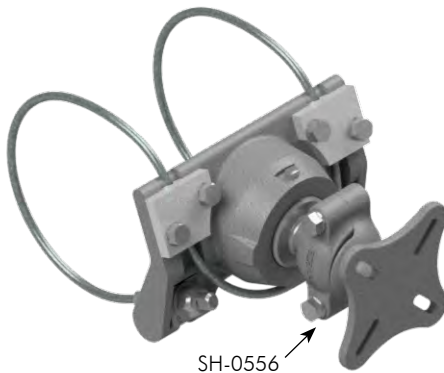
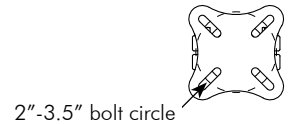


SH-0556
Orbital
Ball Mnt

Bracket Assy, Universal Orbital Mount, Stainless Cable Mini-Brac, Alum

SH-0554 - - -
 Cable Length Coating
 See Table PNC=Process No Color
 P__=Paint

Cable Length:	45"	62"	84"
Maximum Pole Dia:	11.1"	16.6"	22.0"

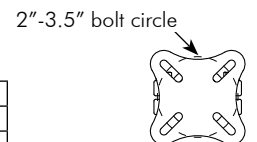


SH-0556
Orbital
Ball Mnt

Bracket Assy, Universal Orbital Mount, Stainless Cable Astro-Brac, Alum

SH-0564 - - -
 Cable Length Coating
 See Table PNC=Process No Color
 P__=Paint

Cable Length:	62"	84"	96"	120"	144"	220"	280"
Maximum Pole Dia:	7.0"	10.5"	12.4"	16.2"	20.1"	32.2"	35.0"
Pole Dia w/ Ty-back:	4.5"	7.6"	9.6"	13.4"	17.2"	29.3"	35.0"



Note: 1. All assemblies are supplied standard with stainless steel cable, clamp screw, and fasteners.
 2. See Reference Section page v for available paint colors.



Orbital Mount

Pelco's Orbital Mount is a versatile and flexible omni-directional mounting assembly. It's ball and socket mechanism provides an infinite degree of solution for a variety of application that require precise aiming and directional adjustability, including wireless antennas, motion detectors, radios, cameras, lights and other sensing devices. An almost endless number of options can be added to enhance the capabilities of these versatile mounting assemblies.



CAMERA MOUNTS

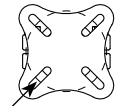
Bracket Assy, Orbital Mount w/ Tube Saddle, Alum



SH-0556
Orbital
Ball Mnt

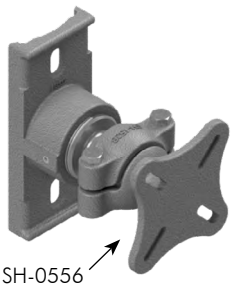
SH-0553 -

Coating
PNC=Process No Color
P__=Paint



2"-3.5" bolt circle

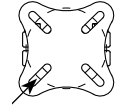
Bracket Assy, Orbital Mount w/ Universal Hub, Alum



SH-0556
Orbital
Ball Mnt

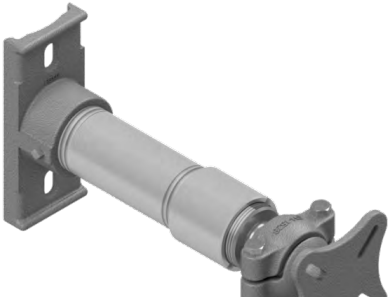
SH-0565 -

Coating
PNC=Process No Color
P__=Paint



2"-3.5" bolt circle

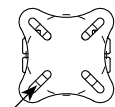
Bracket Assy, Orbital Mount w/ Universal Hub & 6" Nipple, Alum



SH-0556
Orbital
Ball Mnt

SH-0566-06 -

Coating
PNC=Process No Color
P__=Paint



2"-3.5" bolt circle

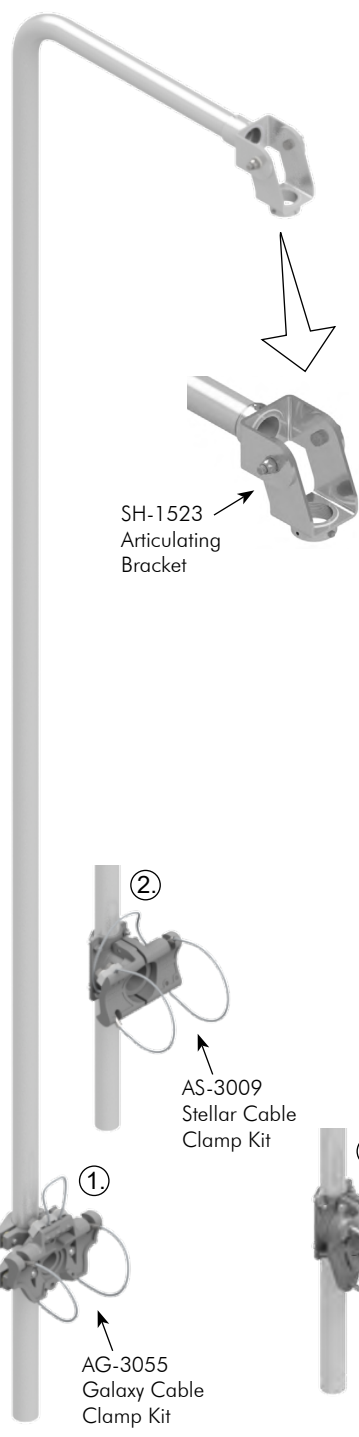
Note: 1. All assemblies are supplied standard with stainless steel fasteners.
2. See Reference Section page v for available paint colors.



pelco
PELCO PRODUCTS, INC.

Astro-Brac Camera Bracket Dome Type

Designed to mount the dome type cameras, these articulating brackets are available with Pelco's Galaxy and Stellar series clamp kits with a 1-15/16" OD bent tube.



Camera Bracket, Dome Camera Type, Alum 1-1/2" NPS Sch 40 Alum Bent Tube

w/ Galaxy Stainless Cable Mount

① AG-0687	-	<input type="text"/>	-	<input type="text"/>	-	<input type="text"/>
		60=60" Tube 96=96" Tube 120=120" Tube		See Table		PNC=Process No Color P__=Paint

w/ Stellar Stainless Cable Mount

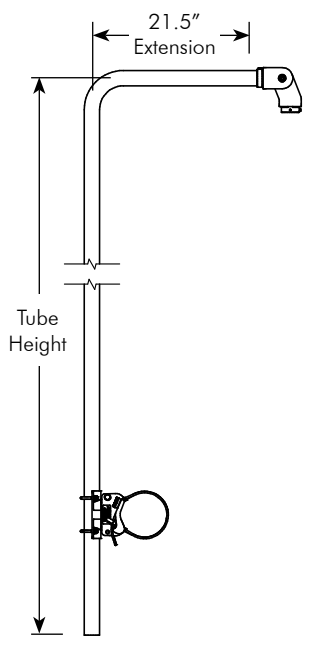
② AS-0687	-	<input type="text"/>	-	<input type="text"/>	-	<input type="text"/>
		60=60" Tube 96=96" Tube 120=120" Tube		See Table		PNC=Process No Color P__=Paint

Cable Length:	62"	84"	96"	120"	144"	220"	280"
Maximum Pole Dia:	7.0"	10.5"	12.4"	16.2"	20.1"	32.2"	35.0"
Pole Dia w/ Ty-back:	4.5"	7.6"	9.6"	13.4"	17.2"	29.3"	35.0"

w/ Stellar Tenon Mount

③ AS-0686	-	<input type="text"/>	-	<input type="text"/>
		60=60" Tube 96=96" Tube 120=120" Tube		PNC=Process No Color P__=Paint

Note:
Fits 1.9" to 4.5" diameter.



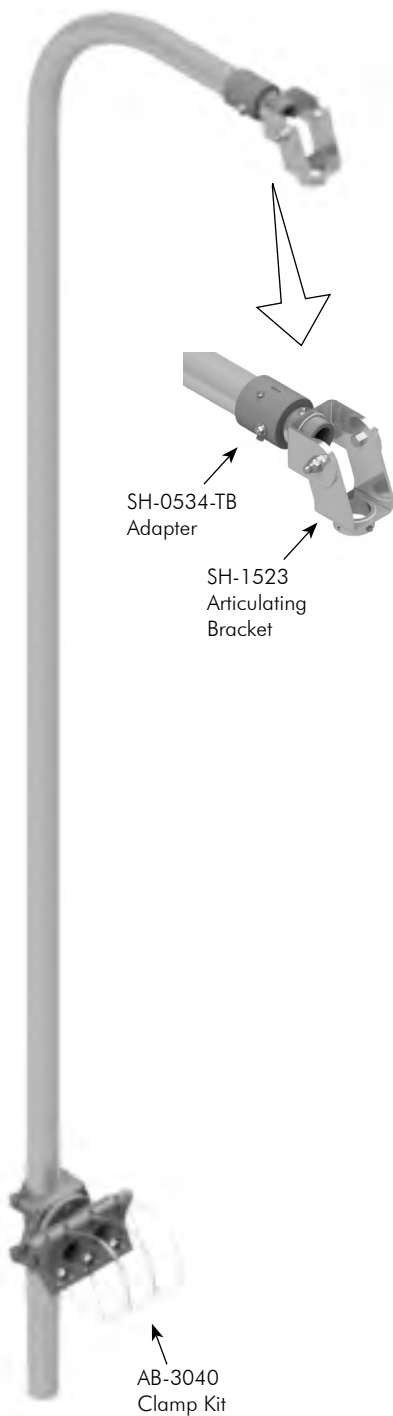
- Note: 1. All assemblies are supplied standard with stainless steel cable, clamp screw, and fasteners.
2. See T7-28-and T7-29 for camera mounting brackets.
3. See Reference Section page v for available paint colors.



Astro-Brac Camera Bracket

Dome Type

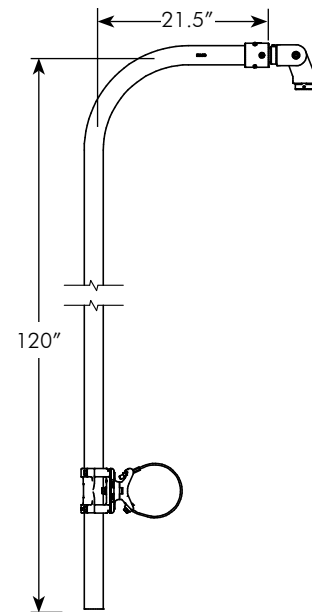
Designed to mount the dome type cameras, this articulating bracket is available with Pelco's more robust Triton series clamp kit with a 2-3/8" OD bent tube.



Triton Camera Bracket, Dome Camera Type, Alum 2" NPS x 120" Sch 40 Alum Bent Tube Stainless Cable Mount

AB-0680 - -
 Cable Length Coating
 See Table PNC=Process No Color
 P__=Paint

Cable Length:	45"	62"	84"
Maximum Pole Dia:	11.1"	16.6"	22.0"



- Note: 1. All assemblies are supplied standard with stainless steel cable, clamp screw, and fasteners.
 2. See T7-28-and T7-29 for camera mounting brackets.
 3. See Reference Section page v for available paint colors.



Astro-Brac Camera Bracket Movision Type

Designed to be watertight for mounting Movision cameras, these articulating brackets are available with Pelco's Galaxy and Stellar series clamp kits with a 1-15/16" OD bent tube.



Camera Bracket, Movision Camera, Watertight, Alum 1-1/2" NPS Sch 40 Alum Bent Tube

w/ Galaxy Stainless Cable Mount

① AG-0710	-	<input type="text"/>	-	<input type="text"/>	-	<input type="text"/>	-	<input type="text"/>
		Tube Height		Extension		Cable Length		Coating
		48=48" Tube		21.5=21.5" Tube		See Table		PNC=Process No Color
		60=60" Tube		48=48" Tube				P__=Paint
		96=96" Tube						
		120=120" Tube						

w/ Stellar Stainless Cable Mount

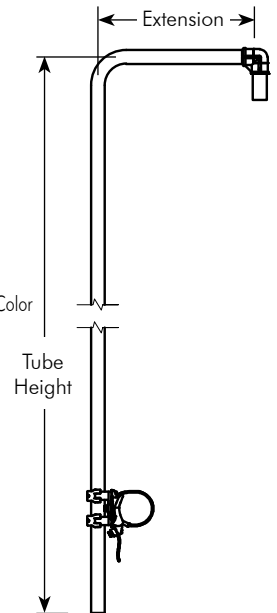
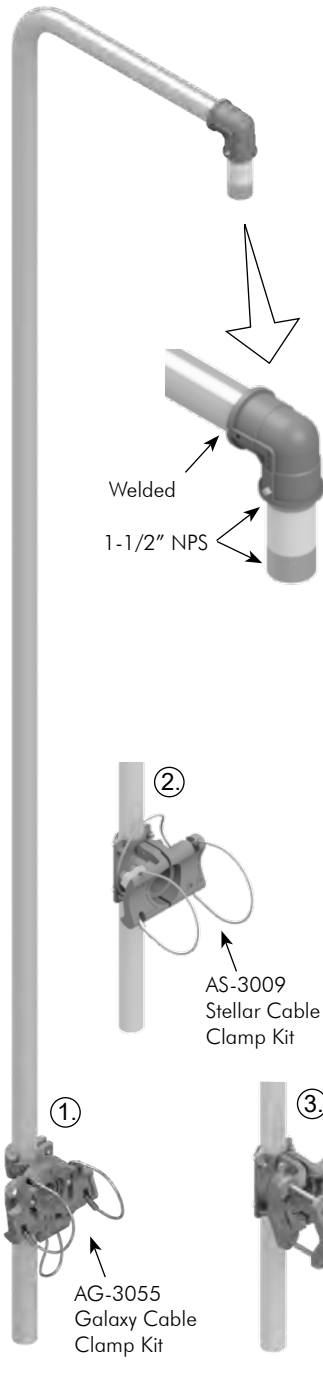
② AS-0710	-	<input type="text"/>	-	<input type="text"/>	-	<input type="text"/>	-	<input type="text"/>
		Tube Height		Extension		Cable Length		Coating
		48=48" Tube		21.5=21.5" Tube		See Table		PNC=Process No Color
		60=60" Tube		48=48" Tube				P__=Paint
		96=96" Tube						
		120=120" Tube						

Cable Length:	62"	84"	96"	120"	144"	220"	280"
Maximum Pole Dia:	7.0"	10.5"	12.4"	16.2"	20.1"	32.2"	35.0"
Pole Dia w/ Ty-back:	4.5"	7.6"	9.6"	13.4"	17.2"	29.3"	35.0"

w/ Stellar Tenon Mount

③ AS-0711	-	<input type="text"/>	-	<input type="text"/>	-	<input type="text"/>
		Tube Height		Tube Extension		Coating
		48=48" Tube		21.5=21.5" Tube		PNC=Process No Color
		60=60" Tube		48=48" Tube		P__=Paint
		96=96" Tube				
		120=120" Tube				

Note:
Fits 1.9" to 4.5" diameter.



Note: 1. All assemblies are supplied standard with stainless steel cable, clamp screw, and fasteners.
2. See T7-28-and T7-29 for camera mounting brackets.
3. See Reference Section page v for available paint colors.



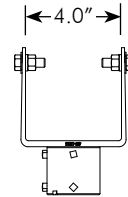
Camera Bracket

Pelco manufactures 1-piece and 2-piece brackets for various camera styles with mounting hole patterns shown below. If you have a special requirement that these brackets will not meet, contact Pelco to inquire about your specific need.



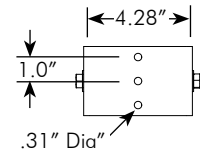
Camera Bracket, 1-Piece Tilt & Pan, Alum 1-1/2" NPS Internal Threads

SH-0514 - Coating
 PNC=Process No Color
 P_ =Paint



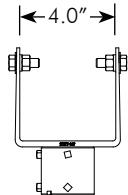
Camera Bracket, 2-Piece Tilt & Pan, Alum 1-1/2" NPS Internal Threads

SH-0515 - Coating
 PNC=Process No Color
 P_ =Paint



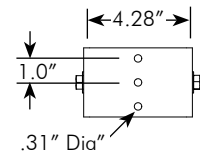
Camera Bracket, 1-Piece Tilt & Pan, Alum 1-1/2" NPS External Threads

SH-0535 - Coating
 PNC=Process No Color
 P_ =Paint



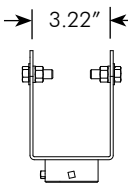
Camera Bracket, 2-Piece Tilt & Pan, Alum 1-1/2" NPS External Threads

SH-0541 - Coating
 PNC=Process No Color
 P_ =Paint



Camera Bracket, 1-Piece Tilt & Pan, Alum 1-1/2" NPS Internal Threads

SH-0537 - Coating
 PNC=Process No Color
 P_ =Paint



Note: 1. All assemblies are supplied standard with stainless steel fasteners.
 2. See Reference Section page v for available paint colors.



Camera Bracket

Pelco manufactures brackets for various camera styles. If you have a special requirement that these brackets will not meet, contact Pelco to inquire about your specific need.



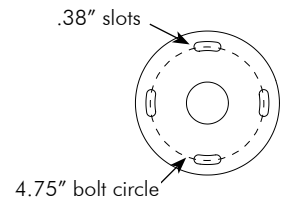
Camera Bracket, Offset Articulating, 1-1/2" NPS, Alum

SH-1523 - Coating
 PNC=Process No Color
 P__=Paint

Camera Bracket, Pole Top 1-1/2" NPS For COHU Camera, Alum



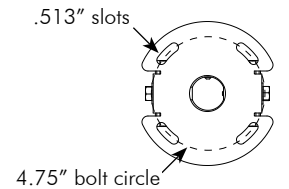
SH-1044 - Coating
 PNC=Process No Color
 P__=Paint



Camera Bracket, Pole Top 2-Piece, 1-1/2" NPS For COHU Camera, Alum



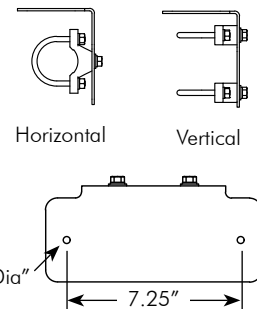
SH-0555 - Coating
 PNC=Process No Color
 P__=Paint



Camera Bracket, Alum For Horizontal or Vertical Tube



SH-0557 - - Tube Size Coating
 1.5=1-1/2 (1-7/8" OD) PNC=Process No Color
 2=2" (2-3/8" OD) P__=Paint



Note: 1. All assemblies are supplied standard with stainless steel fasteners.
 2. See Reference Section page v for available paint colors.



This page is intentionally left blank.



IntelliCross APS

The IntelliCross APS is the state-of-the-art solution for solving pedestrian traffic challenges. The IntelliCross turns a pre-timed pedestrian intersection into a fully actuated intersection. Pre-loaded or custom audio messages with remote or local configuration access are only two of the many key features of Pelco's intelligent pedestrian system. Available with TouchFree gesture recognition. Contact Pelco for additional information.



PUSH BUTTONS



APS Assy, IntelliCross w/ Single Arrow, for 5" x 7-3/4" Sign, Alum

SE-2900 - -
 Activation Coating
 Blank=Standard P__=Paint
 TF=Touch Free

APS Assy, IntelliCross w/ Single Arrow, Custom Configured for 5" x 7-3/4" Sign, Alum

SE-2901 - -
 Activation Coating
 Blank=Standard P__=Paint
 TF=Touch Free

Note:
 Pedestrian signs, sign adapters, and double arrow kits sold separately.

Retrofit Cover Kit, APS IntelliCross User Access w/ Touch-Free PCB Board, Plastic



SE-2544 -
 Color
 P01
 P04
 P06

Cover Color	Matches Powder Coat	Color
-P01	-P29	Federal Yellow
-P04	-P33	Gloss Black
-P06	-P30	Automatic Green

Note:
 Retrofits existing IntelliCross activation to TouchFree gesture recognition.



CIU, Communication Interface Unit, Compact for APS IntelliCross Button

SE-6172-PNC

Note:
 CUI is optional. Only required for advanced features.

- Note: 1. All assemblies are supplied standard with stainless steel fasteners.
 2. For pedestrian signs available refer to pages T8-27 through T8-29.
 3. See Reference Section page v for available paint colors.



IntelliCross APS

The IntelliCross APS is the state-of-the-art solution for solving pedestrian traffic challenges. The IntelliCross turns a pre-timed pedestrian intersection into a fully actuated intersection. Pre-loaded or custom audio messages with remote or local configuration access are only two of the many key features of Pelco's intelligent pedestrian system. Available with TouchFree gesture recognition. Contact Pelco for additional information.



Adapter Assy, 9" x 15", w/ Hardware IntelliCross, Alum

SE-2174 - Coating
PNC=Process No Color
P__=Paint



Adapter Assy, 9" x 12", w/ Hardware IntelliCross, Alum

SE-2171 - Coating
PNC=Process No Color
P__=Paint



Adapter Assy, 9" x 3", w/ Hardware IntelliCross, Alum

SE-2175 - Coating
PNC=Process No Color
P__=Paint



Arrow, Double for APS IntelliCross Push Button, w/ Hardware, Alum

SE-6170-2 - Coating
P__=Paint

Note: 1. All assemblies are supplied standard with stainless steel fasteners.
2. See Reference Section page v for available paint colors.

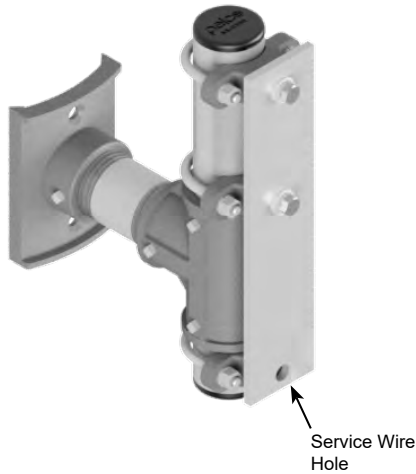


Push Button Extenders

Extenders are available for the IntelliCross and both round and rectangular push buttons. Provided with a service wire hole and optional nipple length they allow for pedestrian push buttons to be mounted an extended distance away from the pole.

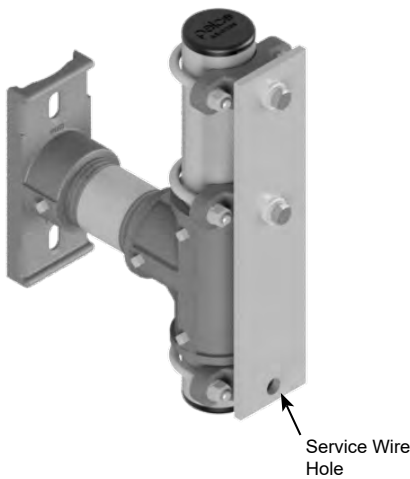


Push Button Extender Assy, IntelliCross w/ Large Pole Hub, Alum



SE-2180	-	<input type="text"/>	-	<input type="text"/>
		04=4" 06=6" 12=12" 16=16" 24=24"		PNC=Process No Color P_ =Paint

Push Button Extender Assy, IntelliCross w/ Universal Hub, Alum



SE-2186	-	<input type="text"/>	-	<input type="text"/>
		04=4" 06=6" 12=12" 16=16" 24=24"		PNC=Process No Color P_ =Paint

Note: 1. All assemblies are supplied standard with stainless steel fasteners.
2. See Reference Section page v for available paint colors.



Push Button Extenders

Extenders are available for the IntelliCross and both round and rectangular push buttons. Provided with a service wire hole and optional nipple length they allow for pedestrian push buttons to be mounted an extended distance away from the pole.



Push Button Extender Assy, Round or Rectangular w/ Large Pole Hub, Alum



SE-2136	-	<input type="text"/>	-	<input type="text"/>
		Nipple Length		Coating
		04=4"		PNC=Process No Color
		06=6"		P_ _=Paint
		08=8"		
		10=10"		
		12=12"		
		14=18"		
		20=24"		
		24=24"		

Push Button Extender Assy, Round or Rectangular w/ Universal Hub, Alum



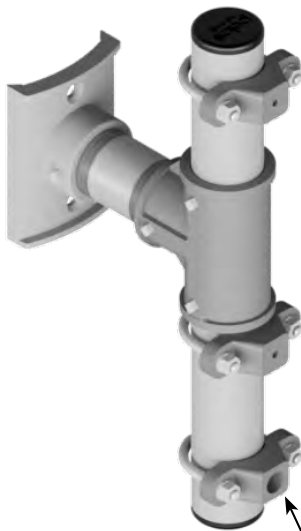
SE-2169	-	<input type="text"/>	-	<input type="text"/>
		Nipple Length		Coating
		04=4"		PNC=Process No Color
		06=6"		P_ _=Paint
		08=8"		
		10=10"		
		12=12"		
		14=18"		
		20=24"		
		24=24"		

Note: 1. All assemblies are supplied standard with stainless steel fasteners.
2. See Reference Section page v for available paint colors.



Push Button Extenders

Extenders are available for the IntelliCross and both round and rectangular push buttons. Provided with a service wire hole and optional nipple length they allow for pedestrian push buttons to be mounted an extended distance away from the pole.

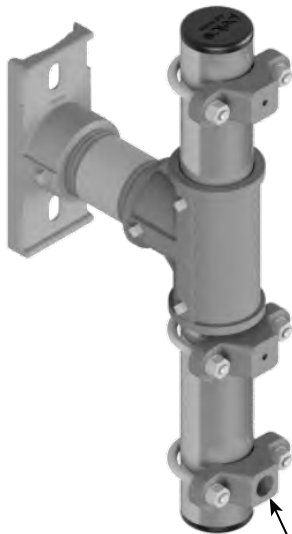
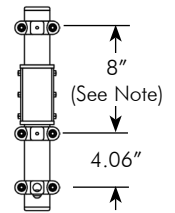


Service Wire Hole

Push Button Extender Assy, Modular 9" x 12" Station w/ Large Pole Hub, Alum

SE-2145	-	<input type="text"/>	-	<input type="text"/>
		Nipple Length		Coating
		06=6"		PNC=Process No Color
		08=8"		P__=Paint
		10=10"		
		12=12"		

Note:
1. Discard support angles furnished with the station. Attach station with the mounting bolts provided with the station.

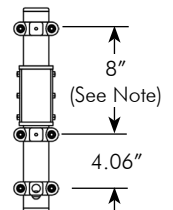


Service Wire Hole

Push Button Extender Assy, Modular 9" x 12" Station w/ Universal Hub, Alum

SE-2188	-	<input type="text"/>	-	<input type="text"/>
		Nipple Length		Coating
		06=6"		PNC=Process No Color
		08=8"		P__=Paint
		10=10"		
		12=12"		

Note:
1. Discard support angles furnished with the station. Attach station with the mounting bolts provided with the station.



Note: 1. All assemblies are supplied standard with stainless steel fasteners.
2. See Reference Section page v for available paint colors.



This page is intentionally left blank.

PUSH BUTTONS

pelco
PELCO PRODUCTS, INC.



Modular Station Kits

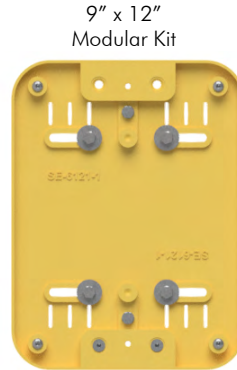
The unique line of modular push button stations provide flexibility by adapting various size sign stations to round or oval push button cover assemblies. Stations can be ordered as a complete unit or as modular kits to assemble for variations in sign size and push button covers.



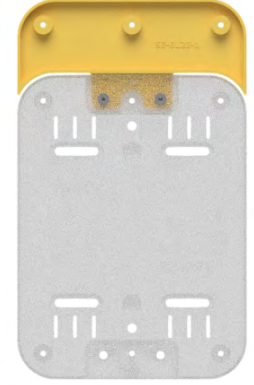
SE-2132-15-PLD-P29 shown.
Modular Push Button Station Assy, 9" x 15"
Piezo Passport w/ LED, Alum, Federal Yellow



5" x 7-3/4"
Modular Kit
SE-6193 -
Coating
PNC=Process No Color
P__=Paint



9" x 12"
Modular Kit
SE-6121 -
Coating
PNC=Process No Color
P__=Paint



9" x 3"
Modular Kit
(attaches to 9"x12"
for a 9" x 15" sign)
SE-6123 -
Coating
PNC=Process No Color
P__=Paint



Oval Cover
Adapter Kit
SE-6124 -
Coating
PNC=Process No Color
P__=Paint



2-Hole Cover
Adapter Kit
SE-6122 -
Coating
PNC=Process No Color
P__=Paint



4-Hole Cover
Adapter Kit
SE-6189 -
Coating
PNC=Process No Color
P__=Paint



Oval w/ Directional Arrow
Cover Assy
Piezo or Mechanical



Round Cover Assy,
2-Hole Mount
Piezo or Mechanical



Round Cover Assy,
4-Hole Mount
Piezo

Note: For a complete selection of cover assemblies available see pages T8-12 and T8-19.

Note: 1. All assemblies are supplied standard with stainless steel fasteners.
2. For pedestrian signs available refer to pages T8-27 through T8-29.
3. See Reference Section page v for available paint colors.



Modular Station Assembly Piezo Switch

These unique Pelco push button stations feature a versatile modular design that provides flexibility by adapting different push button cover assemblies, both latching and non-latching, to multiple size sign stations.



SE-2132-7-PLED-P29 shown.

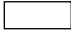
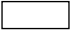
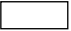


SE-2132-12-PLED-P29 shown.

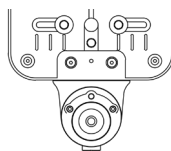


SE-2132-15-P4HLED-P29 shown.

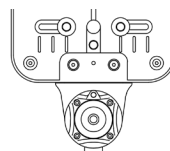
Modular Push Button Station Assy, Piezo Switch, Alum

SE-2132	-	Size	-	Button	-	Coating
						
		7=5" x 7-3/4"		P=Piezo		PNC=Process No Color
		12=9"x12"		PLED=Piezo w/ LED		P__=Paint
		15=9"x15"		PLED-LCH=Piezo w/ Latching LED		
				P4H= Piezo 4-Hole		
				P4HLED=Piezo 4-Hole w/ LED		
				P4HLED-LCH= Piezo 4-Hole w/ Latching LED		

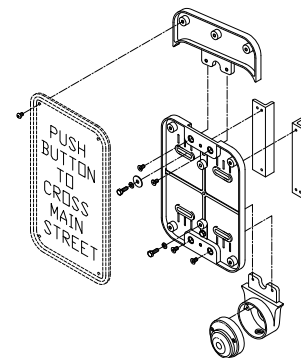
Note:
Latching option requires SE-1041 Controller Assy.



2-Hole Cover



4-Hole Cover



Modular Station
(sign sold separately)

- Note:
1. All assemblies are supplied standard with stainless steel fasteners.
 2. Latching units are latched on during the "Don't Walk" cycle with the addition of the SE-1041 controller.
 3. For pedestrian signs available refer to pages T8-27 through T8-29.
 4. See Reference Section page v for available paint colors.



Modular Station Assembly Oval w/ Directional Arrow Piezo Switch

These unique Pelco push button stations feature a versatile modular design that provides flexibility by adapting different push button cover assemblies, both latching and non-latching, to multiple size sign stations.



Modular Push Button Station Assy, Oval w/ Directional Arrow Piezo Switch, Alum



SE-2134-7-PLED-1-P29 shown.

Size	Button	Arrow	Coating
SE-2134 - <input type="checkbox"/>	- <input type="checkbox"/>	- <input type="checkbox"/>	- <input type="checkbox"/>
7=5" x 7-3/4" 12=9"x12" 15=9"x15"	PLED=Piezo w/ LED PLED-LCH=Piezo w/ Latching LED	1=Single 2=Double	PNC=Process No Color P_ =Paint

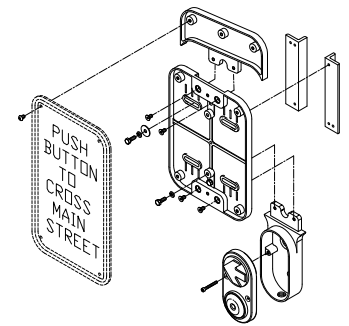
Note:
Latching option requires SE-1041 Controller Assy.



SE-2134-12-PLED-1-P29 shown.



SE-2134-15-PLED-LCH-2-P29 shown.



Modular Station
(sign sold separately)

- Note: 1. All assemblies are supplied standard with stainless steel fasteners.
2. Latching units are latched on during the "Don't Walk" cycle with the addition of the SE-1041 controller.
3. For pedestrian signs available refer to pages T8-27 through T8-29.
4. See Reference Section page v for available paint colors.



This page is intentionally left blank.

PUSH BUTTONS



Push Button Assembly, Passport Piezo Switch

The Passport Pedestrian Push Button is Piezo based, utilizing the latest technology. It's durable impact and vandal resistant construction, made of die cast aluminum and stainless steel, is virtually weatherproof. Available in 2-hole or 4-hole mount and with or without LED. Contact Pelco for information on customizing the button with a laser etched logo.

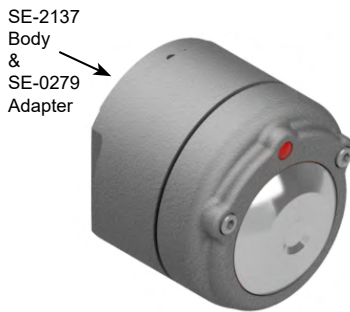


Push Button Assy, Passport Pole Mount, Alum Piezo Switch w/ LED

SE-2120 - Latching - Coating

Blank=Non-Latching PNC=Process No Color
LCH=Latching P__=Paint

Note:
Latching option requires SE-1041 Controller Assy.

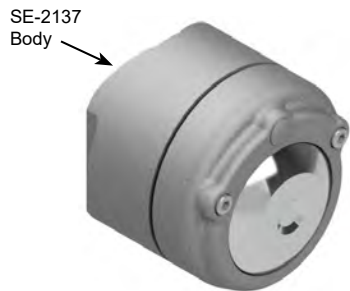


Push Button Assy, Passport Flat Back Mount, Alum Piezo Switch w/ LED

SE-2154 - Latching - Coating

Blank=Non-Latching PNC=Process No Color
LCH=Latching P__=Paint

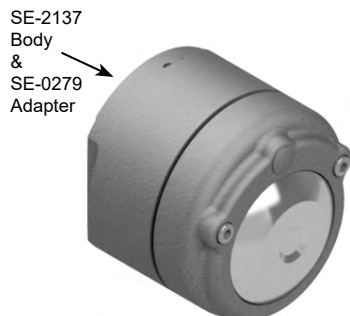
Note:
Latching option requires SE-1041 Controller Assy.



Push Button Assy, Passport Pole Mount, Alum Piezo Switch w/o LED

SE-2165 - Coating

PNC=Process No Color
P__=Paint



Push Button Assy, Passport Flat Back Mount, Alum Piezo Switch w/o LED

SE-2166 - Coating

PNC=Process No Color
P__=Paint



Note: 1. All assemblies are supplied standard with stainless steel fasteners.
2. Latching units are latched on during the "Don't Walk" cycle with the addition of the SE-1041 controller.
3. See Reference Section page v for available paint colors.

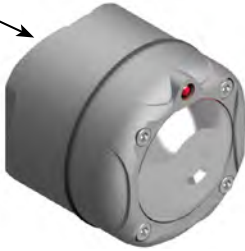


Push Button Assembly, Passport Piezo Switch

The Passport Pedestrian Push Button is Piezo based, utilizing the latest technology. It's durable impact and vandal resistant construction, made of die cast aluminum and stainless steel, is virtually weatherproof. Available in 2-hole or 4-hole mount and with or without LED. Contact Pelco for information on customizing the button with a laser etched logo.



SE-2176
Body



Passport Push Button Assy, Alum Pole Mount, 4-Hole Cover w/ LED

SE-2170 - Latching - Arrow - Coating

Blank=Non-Latching LCH=Latching
Blank=None 1=1-Way 2=2-Way
PNC=Process No Color P__=Paint



1-Way Arrow



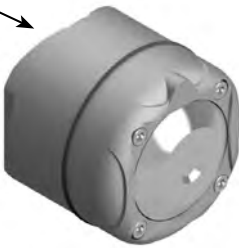
2-Way Arrow



Pole Mount

Note:
Latching option requires SE-1041 Controller Assy.

SE-2176
Body



Passport Piezo Push Button Assy, Alum Pole Mount, 4-Hole Cover w/o LED

SE-2178 - Coating

PNC=Process No Color
P__=Paint



Pole Mount

Passport Push Button Assy, Shallow Profile, Alum Pole Mount, 4-Hole Cover w/ LED

SE-2181 - Latching - Arrow - Coating

Blank=Non-Latching LCH=Latching
Blank=None 1=1-Way 2=2-Way
PNC=Process No Color P__=Paint



1-Way Arrow



2-Way Arrow



Pole Mount

Note:
Latching option requires SE-1041 Controller Assy.



Passport Piezo Push Button Assy, Alum Pole Mount, Rectangular Cover w/ LED

SE-2183 - Coating

PNC=Process No Color
P__=Paint



Pole Mount

- Note: 1. All assemblies are supplied standard with stainless steel fasteners.
2. Latching units are latched on during the "Don't Walk" cycle with the addition of the SE-1041 controller.
3. See Reference Section page v for available paint colors.



Push Button Assembly Oval w/ Directional Arrow Piezo Switch

Pelco's Piezo oval push button with directional arrow is available for round pole or flat back mounting. The oval push button has the option of a single or double adjustable arrow and with or without an LED indicator.



Push Button Assy, Pole Mount, Alum Oval w/ Directional Arrow Piezo Switch w/ LED



SE-2162 - - -

1=Single Arrow Blank=Non-Latching PNC=Process No Color
2=Double Arrow LCH=Latching P__=Paint

Note:
Latching option requires SE-1041 Controller Assy.



Pole Mount

Push Button Assy, Flat Back Mount, Alum Oval w/ Directional Arrow Piezo Switch w/ LED



SE-2163 - - -

1=Single Arrow Blank=Non-Latching PNC=Process No Color
2=Double Arrow LCH=Latching P__=Paint

Note:
Latching option requires SE-1041 Controller Assy.



Flat Back Mount

- Note: 1. All assemblies are supplied standard with stainless steel fasteners.
2. Latching units are latched on during the "Don't Walk" cycle with the addition of the SE-1041 controller.
3. See Reference Section page v for available paint colors.



Cover Assembly Piezo Switch

The Passport Pedestrian Push Button is Piezo based, utilizing the latest technology. It's durable impact and vandal resistant construction, made of die cast aluminum and stainless steel, is virtually weatherproof. Available in 2-hole or 4-hole mount and with or without LED. Contact Pelco for information on customizing the button with a laser etched logo.



Cover Assy, Passport Piezo Push Button w/ LED

SE-2119 - Latching - Coating
 Blank=Non-Latching PNC=Process No Color
 LCH=Latching P__=Paint

Note: Latching option requires SE-1041 Controller Assy.



Cover Assy, Passport Piezo Push Button w/o LED

SE-2164 - Coating
 PNC=Process No Color
 P__=Paint



Cover Assy, Passport Piezo Push Button 4-Hole Mount w/ LED

SE-2172 - Latching - Coating
 Blank=Non-Latching PNC=Process No Color
 LCH=Latching P__=Paint

Note: Latching option requires SE-1041 Controller Assy.



Cover Assy, Passport Piezo Push Button 4-Hole Mount w/o LED

SE-2179 - Latching - Coating
 Blank=Non-Latching PNC=Process No Color
 LCH=Latching P__=Paint

- Note: 1. All assemblies are supplied standard with stainless steel fasteners.
 2. Latching units are latched on during the "Don't Walk" cycle with the addition of the SE-1041 controller.
 3. See Reference Section page v for available paint colors.



Cover Assembly Piezo Switch

The Passport Pedestrian Push Button is Piezo based, utilizing the latest technology. It's durable impact and vandal resistant construction, made of die cast aluminum and stainless steel, is virtually weatherproof. Rectangular is available with or without LED. Contact Pelco for information on customizing the button with a laser etched logo.



Cover Assy, Passport Piezo Push Button Rectangular w/ LED

SE-2182 - Latching - Coating
 Blank=Non-Latching PNC=Process No Color
 LCH=Latching P__=Paint

Note: Latching option requires SE-1041 Controller Assy.



Cover Assy, Passport Piezo Push Button Rectangular w/o LED

SE-2185 - Coating
 PNC=Process No Color
 P__=Paint



Cover Assy, Oval Piezo Push Button w/ Directional Arrow & LED

SE-2161 - Arrow Latching Coating
 1=Single Arrow Blank=Non-Latching PNC=Process No Color
 2=Double Arrow LCH=Latching P__=Paint

Note:
 Latching option requires SE-1041 Controller Assy.

- Note: 1. All assemblies are supplied standard with stainless steel fasteners.
 2. Latching units are latched on during the "Don't Walk" cycle with the addition of the SE-1041 controller.
 3. See Reference Section page v for available paint colors.



This page is intentionally left blank.



Modular Station Assembly Mechanical Switch

These unique Pelco push button stations feature a versatile modular design that provides flexibility by adapting different push button cover assemblies, both latching and non-latching, to multiple size sign stations.



PUSH BUTTONS



SE-2132-7-M-P29 shown.



SE-2132-12-M-P29 shown.

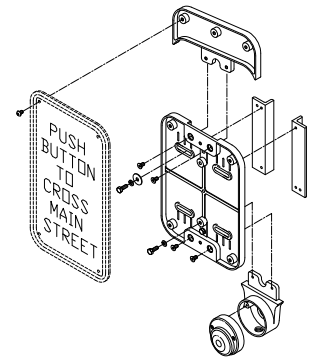


SE-2132-15-MLED-LCH-P29 shown.

Modular Push Button Station Assy, Mechanical Switch, Alum

SE-2132	-	Size	-	Button	-	Coating
		7=5" x 7-3/4"		M=Mechanical		PNC=Process No Color
		12=9"x12"		MLED-LCH= Mech w/ Latching LED		P__=Paint
		15=9"x15"				

Note:
Latching option requires SE-1041 Controller Assy.



9" x 15" Modular Station shown
(sign sold separately)

- Note: 1. All assemblies are supplied standard with stainless steel fasteners.
 2. Latching units are latched on during the "Don't Walk" cycle with the addition of the SE-1041 controller.
 3. For pedestrian signs available refer to pages T8-27 through T8-29.
 4. See Reference Section page v for available paint colors.



Modular Station Assembly Oval w/ Directional Arrow Mechanical Switch

These unique Pelco push button stations feature a versatile modular design that provides flexibility by adapting different push button cover assemblies, both latching and non-latching, to multiple size sign stations.



SE-2134-7-M-1-P29 shown.

Modular Push Button Station Assy, Oval w/ Directional Arrow Mechanical Switch, Alum

SE-2134 -	Size	-	Button	-	Arrow	-	Coating
	7=5" x 7-3/4" 12=9"x12" 15=9"x15"		M=Mechanical MLED-LCH= Mech w/ Latching LED		1=Single 2=Double		PNC=Process No Color P__=Paint

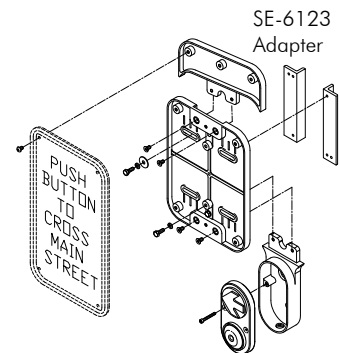
Note:
Latching option requires SE-1041 Controller Assy.



SE-2134-12-MLED-LCH-1-P29 shown.



SE-2134-15-MLED-LCH-2-P29 shown.



9" x 15" Modular Station shown
(sign sold separately)

- Note:
1. All assemblies are supplied standard with stainless steel fasteners.
 2. Latching units are latched on during the "Don't Walk" cycle with the addition of the SE-1041 controller.
 3. For pedestrian signs available refer to pages T8-27 through T8-29.
 4. See Reference Section page v for available paint colors.



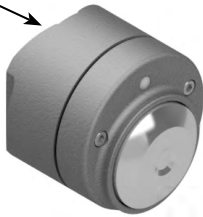
Push Button Assembly Mechanical Switch

Pelco has a full line of ADA compliant pedestrian push buttons and stations, mechanical and Piezo, that are available with or without LED indicators. Contact Pelco for information on additional push button assemblies not shown in the catalog.



PUSH BUTTONS

SE-2137
Body



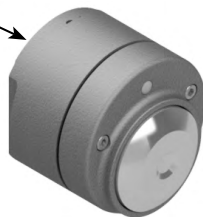
Round Push Button Assy, Pole Mount, Alum Mechanical Switch

SE-2005 - Button - Coating
 M=Mechanical PNC=Process No Color
 MLED-LCH= Mech w/ Latching LED P_=_Paint



Note:
Latching option requires SE-104 Controller Assy.

SE-2137
Body &
SE-0279
Adapter



Round Push Button Assy, Flat Back, Alum Mechanical Switch

SE-2006 - Button - Coating
 M=Mechanical PNC=Process No Color
 MLED-LCH= Mech w/ Latching LED P_=_Paint



Note:
Latching option requires SE-1041 Controller Assy.

SE-2141
Body



Rectangular Push Button Assy, Pole Mount, Alum Mechanical Switch

SE-2000 - Button - Coating
 M=Mechanical PNC=Process No Color
 MLED-LCH= Mech w/ Latching LED P_=_Paint



Note:
Latching option requires SE-1041 Controller Assy.

SE-2139
Body



Rectangular Push Button Assy, Flat Back, Alum Mechanical Switch

SE-2001 - Button - Coating
 M=Mechanical PNC=Process No Color
 MLED-LCH= Mech w/ Latching LED P_=_Paint



Note:
Latching option requires SE-1041 Controller Assy.

- Note: 1. All assemblies are supplied standard with stainless steel fasteners.
 2. Latching units are latched on during the "Don't Walk" cycle with the addition of the SE-1041 controller.
 3. See Reference Section page v for available paint colors.



ADA w/ Directional Arrow Mechanical Switch

Pelco has a full line of ADA compliant pedestrian push buttons and stations, mechanical and Piezo, that are available with or without LED indicators. Contact Pelco for information on additional push button assemblies not shown in the catalog.



Push Button Assy, Pole Mount, Alum Oval w/ Directional Arrow Mechanical Switch

SE-2039 - - -
 M=Mechanical 1=Single Arrow PNC=Process No Color
 MLED-LCH= Mech w/ Latching LED 2=Double Arrow P__=Paint



Pole Mount

Note:
Latching option requires SE-1041 Controller Assy.

Push Button Assy, Flat Back Mount, Alum Oval w/ Directional Arrow Mechanical Switch



SE-2040 - - -
 M=Mechanical 1=Single Arrow PNC=Process No Color
 MLED-LCH= Mech w/ Latching LED 2=Double Arrow P__=Paint



Flat Back Mount

Note:
Latching option requires SE-1041 Controller Assy.

- Note: 1. All assemblies are supplied standard with stainless steel fasteners.
 2. Latching units are latched on during the "Don't Walk" cycle with the addition of the SE-1041 controller.
 3. See Reference Section page v for available paint colors.



Push Button Cover Mechanical Switch

Pelco has a full line of ADA compliant pedestrian push buttons and stations, mechanical and Piezo, that are available with or without LED indicators. Contact Pelco for information on additional push button assemblies not shown in the catalog.



PUSH BUTTONS



Cover Assy, Round Push Button Mechanical

SE-2009 - M -

Button Coating

PNC=Process No Color
P__=Paint



Cover Assy, Round Push Button Mechanical, Latching LED

SE-2009 - MLED - LCH -

Button Latching Coating

PNC=Process No Color
P__=Paint

Note:
Requires SE-1041 Controller Assy.



Cover Assy, Rectangular Push Button Mechanical

SE-2015 - M -

Button Coating

PNC=Process No Color
P__=Paint



Cover Assy, Rectangular Push Button Mechanical, Latching LED

SE-2015 - MLED - LCH -

Button Latching Coating

PNC=Process No Color
P__=Paint

Note:
Requires SE-1041 Controller Assy.



Cover Assy, Oval Push Button Mechanical w/ Directional Arrow

SE-2048 - - -

Button Arrow Coating

M=Mechanical 1=Single Arrow PNC=Process No Color
MLED-LCH= Mech w/ Latching LED 2=Double Arrow P__=Paint

Note:
Latching option requires SE-1041 Controller Assy.

- Note: 1. All assemblies are supplied standard with stainless steel fasteners.
2. Latching units are latched on during the "Don't Walk" cycle with the addition of the SE-1041 controller.
3. See Reference Section page v for available paint colors.



5" x 7-3/4" Station Mechanical Switch

Pelco's fixed pedestrian stations are available with attachable signs or cast legends. A wide variety of pedestrian signs, including Braille, are available in various sizes.



Push Button Station Assy, Rectangular 5" x 7-3/4" Blank Face, Alum Mechanical Switch

SE-2037 - Button - M - Coating
Mechanical PNC=Process No Color
P_ =Paint



Top View



Push Button Station Assy, Rectangular 5" x 7-3/4" Cast Legend, Alum Mechanical Switch

SE-2038 - Sign Face - Button - Legend Color - Coating
1030 Mechanical 106=Black Ink PNC=Process No Color
1031 107=White Ink P_ =Paint
1032 110=Silver Ink
1039
*See Below



Top View



Push Button Station Assy, 9" x 12" Cast Legend, Alum Mechanical Switch

SE-2089 - Sign Face - Button - Legend Color - Coating
1030 Mechanical 106=Black Ink PNC=Process No Color
1031 107=White Ink P_ =Paint
1032 110=Silver Ink
1039
*See Below

*Cast Sign Face Options:

Legend (Ink)	Body (Paint)	Color Combination
-106	-PNC	Black on Natural
-106	-PXX	Black on Paint
-107	-PXX	Silver on Paint
-110	-PXX	Silver on Paint



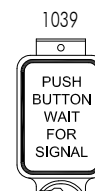
Left Man/Left Arrow



Right Man/Right Arrow



Right Man/Double Arrow



Instruction



Top View

Note: 1. All assemblies are supplied standard with stainless steel fasteners.
2. For pedestrian signs available refer to pages T8-27 through T8-29.
3. See Reference Section page v for available paint colors.



Modular Station Body

These unique Pelco push button stations feature a versatile modular design that provides flexibility by adapting different push button cover assemblies to multiple size sign stations. The 9" x 12" station can easily be converted to 9" x 15" station by adding a 3" x 12" adapter kit.



SE-2142 -

Size
7=5" x 7-3/4"
12=9"x12"
15=9"x15"

 -

Coating
PNC=Process No Color
P__=Paint

Modular Sign Station Body Assy, Alum For Round 2-Hole Push Buttons



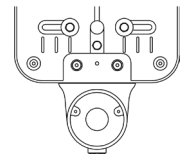
SE-2142-7-P33



SE-2142-12-P33



SE-2142-15-P33



2-Hole Cover

SE-2147 -

Size
7=5" x 7-3/4"
12=9"x12"
15=9"x15"

 -

Coating
PNC=Process No Color
P__=Paint

Modular Sign Station Body Assy, Alum For Round 4-Hole Push Button



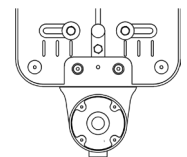
SE-2147-7-P33



SE-2147-12-P33



SE-2147-15-P33



4-Hole Cover

- Note: 1. All assemblies are supplied standard with stainless steel fasteners.
 2. For pedestrian signs available refer to pages T8-27 through T8-29.
 3. See Reference Section page v for available paint colors.



Modular Station Body

These unique Pelco push button stations feature a versatile modular design that provides flexibility by adapting different push button cover assemblies to multiple size sign stations. The 9" x 12" station can easily be converted to 9" x 15" station by adding a 3" x 12" adapter kit.



SE-2144 -

Size
7=5" x 7-3/4"
12=9"x12"
15=9"x15"

 -

Coating
PNC=Process No Color
P__=Paint

Modular Sign Station Body Assy, Alum For Oval Push Buttons w/ Directional Arrows



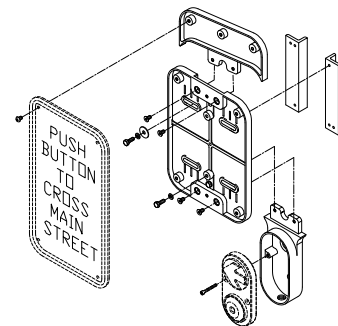
SE-2144-7-P33



SE-2144-12-P33



SE-2144-15-P33



9" x 15" Modular Station shown
(sign and cover sold separately)

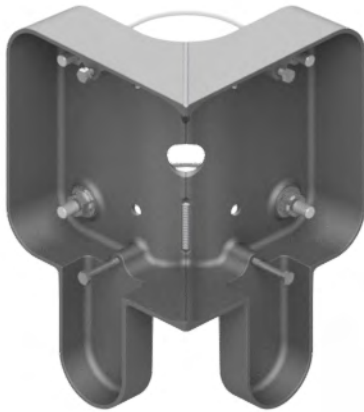
- Note: 1. All assemblies are supplied standard with stainless steel fasteners.
2. For pedestrian signs available refer to pages T8-27 through T8-29.
3. See Reference Section page v for available paint colors.



PUSH BUTTONS

9" x 12" Station Adapter

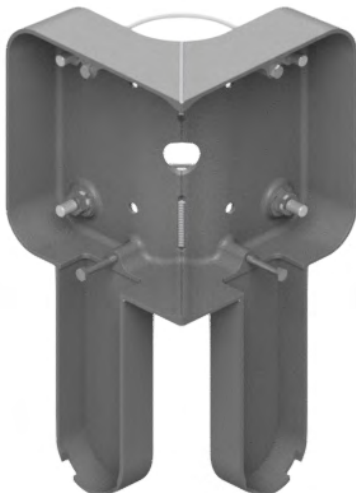
Pelco's station adapter is for use with 9"x12" stations where there is a need for mounting stations at 90° from each other on a small diameter pole. Available for the round or oval push button stations.



Adapter, Double Push Button Station, 9" x 12" for Round Push Button & 4-1/2" OD Pole, Alum

SE-6042 - -
 Mount Coating
 Blank=Bolt Mount PNC=Process No Color
 CM=Cable Mount P__=Paint

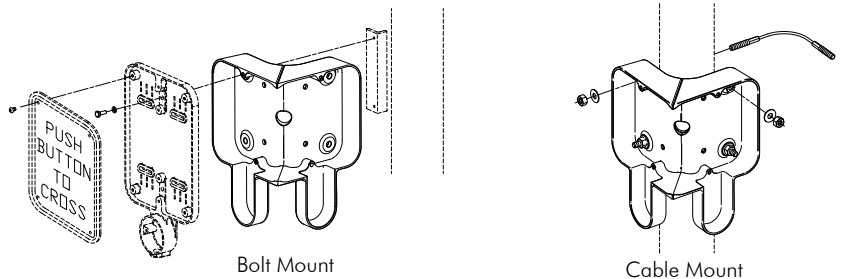
Note:
For station assemblies with round push button.



Adapter, Double Push Button Station, 9" x 12" for Oval Push Button & 4-1/2" OD Pole, Alum

SE-6109 - -
 Mount Coating
 Blank=Bolt Mount PNC=Process No Color
 CM=Cable Mount P__=Paint

Note:
For station assemblies with oval push button.



- Note: 1. All assemblies are supplied standard with stainless steel fasteners.
 2. For pedestrian signs available refer to pages T8-27 through T8-29.
 3. See Reference Section page v for available paint colors.



This page is intentionally left blank.



Latching Controller Assembly

The Pelco Latching Push Button Assembly provides visual confirmation to the pedestrian that a pedestrian call has been placed. An LED located on the Pedestrian Push Button illuminates when pressed, and stays illuminated until the "Walk Signal" is energized by the Traffic Controller. The Latching Push Button Controller also provides electrical isolation between the Push Buttons and Controller.



SE-1041-PNC Controller Assy, Latching Pushbutton, Alum

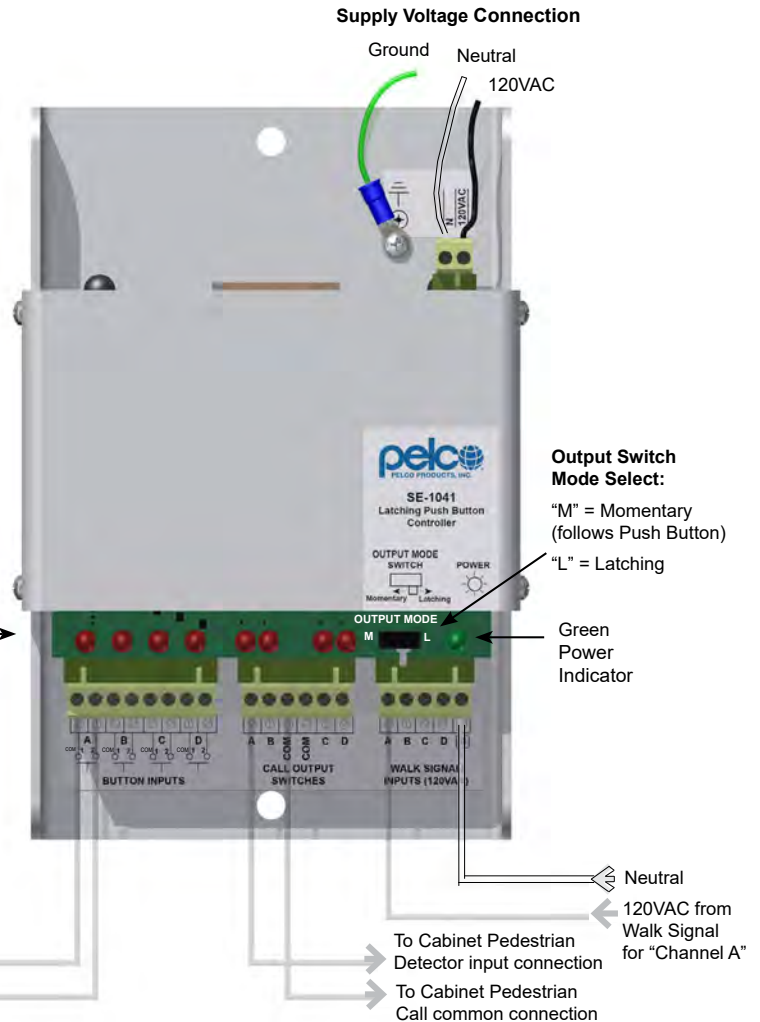
Note: Max 4 Push Buttons per Channel
 Each push button channel requires two separate wires.
 Common wire can not be shared between channels.

When used with Pelco's latching LED push buttons, and a pedestrian pushes a push button during the don't walk interval, the LED on all push buttons wired to that channel will come on, providing a continuous confirmation that a call has been placed to the traffic signal controller. When the walk signal comes on, the LED indication on all push buttons hooked up to that particular channel will go off.

Red LED indicators to show the state of each channel input and output:

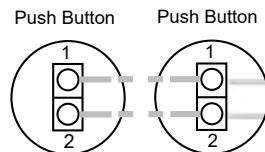
For the button inputs, the channel is latched when the LED is on. While the push button is being pressed, these LEDs will flash until the push button is released, and then they will stay on.

The call output switch indicator LEDs will turn on while the call output switch is "closed" and placing a call to the traffic controller. Whether these output switches latch on or follow the push button press is controlled by the output mode switch.



**"Channel A" shown here for example:

*Proper wire polarity MUST be observed
 #1-COM from LPBC to #1 on push button
 #2 from LPBC to #2 on push button



*Max 4 Push Buttons per Channel
 *Only wires connected to terminal 1-COM of BUTTON INPUTS can be shared between channels.

Note: 1. Refer to previous pages of this catalog section for LED push buttons or stations -LCH latching option.
 2. Each channel of the 4 channel latching controller can operate up to 4 push buttons for a total of 16 push buttons per controller Assembly.



Push Button Components



Body Assy, Round Pole Mount, 2-Hole, Alum

SE-2137 - Coating
 PNC=Process No Color
 P__=Paint



Body Assy, Round Pole Mount, 4-Hole, Alum

SE-2176 - Coating
 PNC=Process No Color
 P__=Paint



Flat Back Adapter, Round Push Button, Alum

SE-0279 - Coating
 PNC=Process No Color
 P__=Paint



Body Assy, Rectangular Pole Mnt, Alum

SE-2141 - Coating
 PNC=Process No Color
 P__=Paint



Body Assy, Rectangular Flat Back, Alum

SE-2139 - Coating
 PNC=Process No Color
 P__=Paint



Body Assy, Oval Push Button Pole Mount

SE-2140 - Coating
 PNC=Process No Color
 P__=Paint



Flat Back Adapter, Oval Push Button, Alum

SE-0270 - Coating
 PNC=Process No Color
 P__=Paint



Arrow Kit, Adjustable, Oval Push Button, Alum

SE-2504 - Arrow - Coating
 1=Single PNC=Process No Color
 2=Double P__=Paint



Adapter Kit, Round Cover to Body, Alum

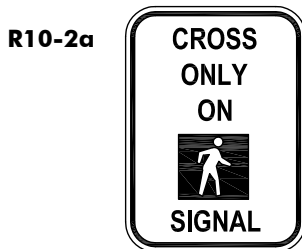
SE-2507-PNC

Note: Required for adapting round mechanical cover to older style round bodies and stations.

Note: 1. All assemblies are supplied standard with stainless steel fasteners.
 2. See Reference Section page v for available paint colors.



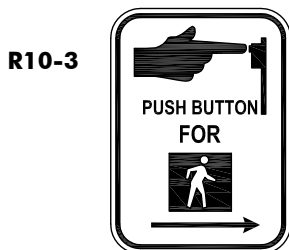
Pedestrian Signs MUTCD Compliant



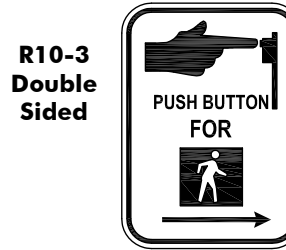
SF-1085- - - PNC
 Size: 12=9"x12"
 3/8" Mtg Holes: Blank=None, 2H=2 Holes, 4H=4Holes



SF-1083- - - PNC
 Size: 7=5" x 7-3/4", 12=9" x 12"
 3/8" Mtg Holes: Blank=None, 2H=2 Holes, 4H=4 Holes



SF-1014- - - - PNC
 Size: 7=5"x7-3/4", 12=9"x12"
 Arrow: R= Right Man/Arrow, L= Left Man/Arrow, D=Left Man/Double Arrow
 3/8" Mtg Holes: Blank=None, 2H=2 Holes, 4H=4 Holes



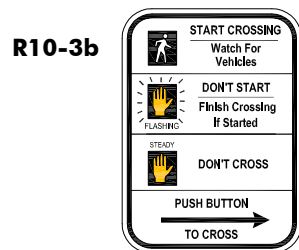
SF-1098- - - - - PNC
 Size: 7=5"x7-3/4", 12=9"x12"
 Arrow (side 1): R= Right Man/Arrow, L= Left Man/Arrow, D=Left Man/Double Arrow
 Arrow (Side 2): R= Right Man/Arrow, L= Left Man/Arrow, D=Left Man/Double Arrow
 3/8" Mtg Holes: Blank=None, 2H=2 Holes, 4H=4 Holes

Note: For double side R10-3 sign order SF-1098.

Note: For single side R10-3 sign order SF-1014.



SF-1006- - - - PNC
 Size: 15=9"x15"
 Arrow: R= Right Man/Arrow, L= Left Man/Arrow
 3/8" Mtg Holes: Blank=None, 2H=2@13" CTC, 4H=4@7"x13" CTC



SF-1060- - - - PNC
 Size: 7=5" x 7-3/4", 12=9"x12"
 Arrow: R= Right Man/Arrow, L= Left Man/Arrow
 3/8" Mtg Holes: Blank=None, 2H=2 Holes, 4H=4 Holes

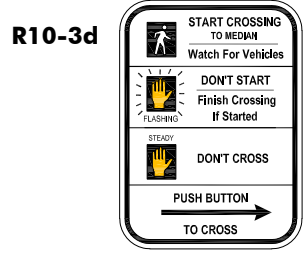
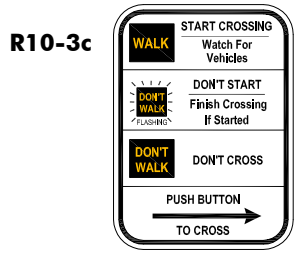
Note: 5" x 7-3/4" size is non-compliant with MUTCD standards.

Sign Size	-2H = 2 Holes 3/8" Dia	-4H = 4 Holes 3/8" Dia
5" x 7-3/4"	6.25" CTC	4" x 6.75" CTC
9" x 12"	10" CTC	7" x 10" CTC
9" x 15"	13" CTC	7" x 13" CTC

Note: 1. Standard signs are .063" aluminum with reflective vinyl that complies with ASTM D4956 Type I.
 2. MUTCD compliant signs refer to 2009 MUTCD as set by FHWA.

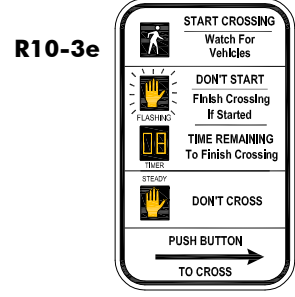
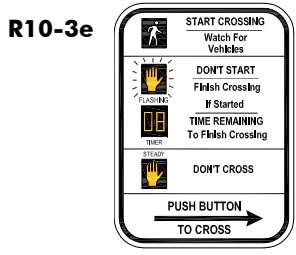


Pedestrian Signs MUTCD Compliant



SF-1084- Size - Arrow - 3/8" Mtg Holes - PNC
 12=9"x12" R= Right Arrow Blank=None
 L= Left Arrow 2H=2 Holes
 4H=4 Holes

SF-1087- Size - Arrow - 3/8" Mtg Holes - PNC
 12=9" x 12" R= Right Arrow Blank=None
 L= Left Arrow 2H=2 Holes
 D= Double Arrow 4H=4 Holes

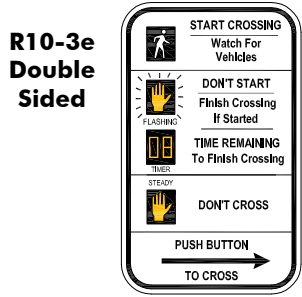


SF-1065- Size - Arrow - 3/8" Mtg Holes - PNC
 7=5" x 7-3/4" R= Right Arrow Blank=None
 12=9" x 12" L= Left Arrow 2H=2 Holes
 D= Double Arrow 4H=4 Holes

SF-1074- Size - Arrow - 3/8" Mtg Holes - PNC
 15=9"x15" R= Right Arrow Blank=None
 L= Left Arrow 2H=2 Holes
 D= Double Arrow 4H=4 Holes

Note: 5" x 7-3/4" size is non-compliant with MUTCD standards.
 For 9" x 15" size order SF-1074.

Note: For double side R10-3e sign order SF-1099.
 For 9" x 12 or 5" x 7-3/4" order SF-1065.



Sign Size	-2H = 2 Holes 3/8" Dia	-4H = 4 Holes 3/8" Dia
5" x 7-3/4"	6.25" CTC	4" x 6.75" CTC
9" x 12"	10" CTC	7" x 10" CTC
9" x 15"	13" CTC	7" x 13" CTC

SF-1099- Size - Arrow (side 1) - Arrow (side 2) - 3/8" Mtg Holes - PNC
 15=9"x15" R= Right Arrow R= Right Arrow Blank=None
 L= Left Arrow L= Left Arrow 2H=2 Holes
 D= Double Arrow D= Double Arrow 4H=4 Holes

Note: For single side R10-3e sign order SF-1074.

Note: 1. Standard signs are .063" aluminum with reflective vinyl that complies with ASTM D4956 Type I.
 2. MUTCD compliant signs refer to 2009 MUTCD Standards as set by FHWA.



Pedestrian Signs MUTCD Compliant

PUSH BUTTONS

R10-3i



Specify street name when ordering

SF-1100- Size - Arrow - 3/8" Mtg Holes - PNC
 15=9" x 15" R= Right Arrow Blank=None
 L= Left Arrow 2H=2 Holes
 D= Double Arrow 4H=4 Holes

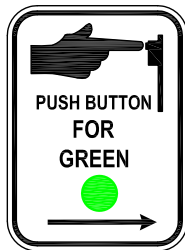
Note: Street name to be printed is required when ordering.

R10-3j



SF-1101- Size - Arrow - 3/8" Mtg Holes - PNC
 7=5" x 7-3/4" R= Right Arrow Blank=None
 12=9" x 12" L= Left Arrow 2H=2 Holes
 15=9" x 15" D= Double Arrow 4H=4 Holes

R10-4



SF-1022- Size - Arrow - 3/8" Mtg Holes - PNC
 12=9" x 12" R= Right Arrow Blank=None
 L= Left Arrow 2H=2 Holes
 D= Double Arrow 4H=4 Holes

R10-4a



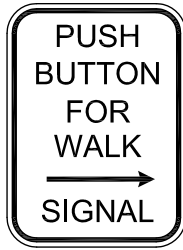
SF-1027- Size - Arrow - 3/8" Mtg Holes - PNC
 15=9" x 15" R= Right Man/Arrow Blank=None
 L= Left Man/Arrow 2H=2 Holes
 4H=4 Holes

Sign Size	-2H = 2 Holes 3/8" Dia	-4H = 4 Holes 3/8" Dia
5" x 7-3/4"	6.25" CTC	4" x 6.75" CTC
9" x 12"	10" CTC	7" x 10" CTC
9" x 15"	13" CTC	7" x 13" CTC

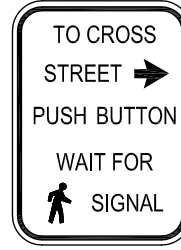
Note: 1. Standard signs are .063" aluminum with reflective vinyl that complies with ASTM D4956 Type I.
 2. Custom signs are non-compliant with MUTCD standards. Additional custom signs are available upon request.



Pedestrian Signs Custom



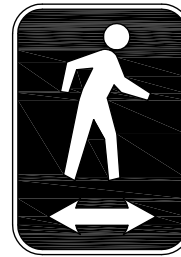
SF-1002- - - - PNC
 Size: 7=5" x 7-3/4" / 12=9" x 12"
 Arrow: R= Right Arrow / L= Left Arrow / D= Double Arrow
 3/8" Mtg Holes: Blank=None / 2H=2 Holes / 4H=4 Holes



SF-1010- - - - PNC
 Size: 12=9" x 12"
 Arrow: R= Right Man/Arrow / L= Left Man/Arrow
 3/8" Mtg Holes: Blank=None / 2H=2 Holes / 4H=4 Holes



SF-1018- - - - PNC
 Size: 7=5" x 7-3/4" / 12=9" x 12"
 Arrow: Blank= None / R= Right Arrow / L= Left Arrow / D= Double Arrow
 3/8" Mtg Holes: Blank=None / 2H=2 Holes / 4H=4 Holes



SF-1031- - - - PNC
 Size: 7=5" x 7-3/4" / 12=9" x 12"
 Arrow: R= Right Man/Arrow / L= Left Man/Arrow / D= Right Man/Double Arrow
 3/8" Mtg Holes: Blank=None / 2H=2 Holes / 4H=4 Holes



SF-1008- - - - PNC
 Size: 12=9"x12"
 3/8" Mtg Holes: Blank=None / 2H=2 Holes / 4H=4 Holes



SF-8065- - - - PNC
 Size: 7=5" x 7-3/4" / 12=9" x 12" / 15=9" x 15"
 Arrow: B=Blank / R= Right Arrow / L= Left Arrow / D= Double Arrow
 3/8" Mtg Holes: Blank=None / 2H=2 Holes / 4H=4 Holes

Braille:
Push Button to Cross

Sign Size	-2H = 2 Holes 3/8" Dia	-4H = 4 Holes 3/8" Dia
5" x 7-3/4"	6.25" CTC	4" x 6.75" CTC
9" x 12"	10" CTC	7" x 10" CTC
9" x 15"	13" CTC	7" x 13" CTC

Note: 1. Standard signs are .063" aluminum with reflective vinyl that complies with ASTM D4956 Type I.
 2. Custom signs are non-compliant with MUTCD standards. Additional custom signs are available upon request.



Flasher Controllers

Aluminum Flasher Cabinets are weather resistant and are available for rear, top and bottom mounting. Various brackets are available for mounting to wood or metal poles. A complete line of Type II or Police Type cabinets are available.



Flasher Controller Assy w/ 5-Pin Flasher



SE-1000 - -

Mount Coating

T=Top Mount PNC=Process No Color
 B=Bottom Mount P__=Paint
 R=Rear Mount
 TB=Top/Bottom Mount
 TBR=Top/Bottom & Rear Mount
 NM=No Mount



Top/Bottom Mount



Rear Mount

Note:
Includes Time Clock, Lightning Arrestor, Circuit Breaker & Toggle Switch.

Flasher Controller Assy w/ Nema Flasher



SE-1004 - -

Mount Coating

T=Top Mount PNC=Process No Color
 B=Bottom Mount P__=Paint
 R=Rear Mount
 TB=Top/Bottom Mount
 TBR=Top/Bottom & Rear Mount
 NM=No Mount



Top/Bottom Mount



Rear Mount

Note:
Includes Time Clock, Lightning Arrestor, Circuit Breaker & Toggle Switch.

Note: 1. All assemblies are supplied standard with stainless steel fasteners.
 2. See Reference Section page v for available paint colors.



Flasher Controllers

Aluminum Flasher Cabinets are weather resistant and are available for rear, top and bottom mounting. Various brackets are available for mounting to wood or metal poles. A complete line of Type II or Police Type cabinets are available.

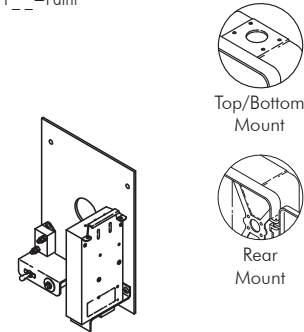


Flasher Controller Cabinet Assy w/o Time Clock, Alum



SE-1014 - - -

Mount	Flasher	Coating
T=Top Mount B=Bottom Mount R=Rear Mount TB=Top/Bottom Mount TBR=Top/Bottom & Rear Mount NM=No Mount	Blank=None F=Nema Flasher	PNC=Process No Color P__=Paint



SE-1015, Backpanel with Flasher

Note:
Includes Lightning Arrestor, Circuit Breaker & Toggle Switch. Nema Flasher optional.

Flasher Cabinet Assy w/ Police Type Lock, Alum



SE-1002 - -

Mount	Coating
T=Top Mount B=Bottom Mount R=Rear Mount TB=Top/Bottom Mount TBR=Top/Bottom & Rear Mount NM=No Mount	PNC=Process No Color P__=Paint



Note: 1. All assemblies are supplied standard with stainless steel fasteners.
2. See Reference Section page v for available paint colors.

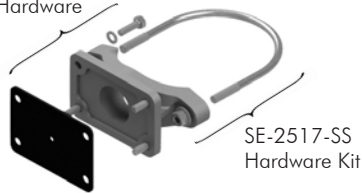


Mounting Assemblies

Aluminum Flasher Cabinets are weather resistant and are available for rear, top and bottom mounting. Various brackets are available for mounting to wood or metal poles. A complete line of Type II or Police Type cabinets are available.



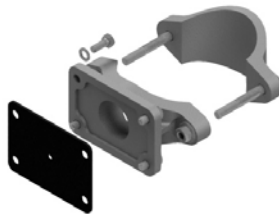
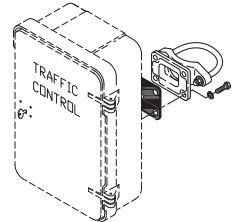
SE-2518-SS
Gasket & Hardware



SE-2517-SS
Hardware Kit

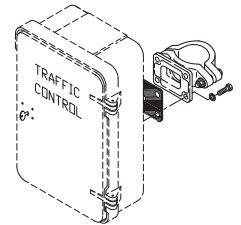
Mounting Kit, Alum for 4" (4-1/2" OD) Post

SE-1100 - Coating
PNC=Process No Color
P__=Paint



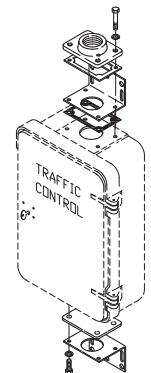
Mounting Kit, Alum For 3" (3-1/2" OD) Post

SE-1101 - Coating
PNC=Process No Color
P__=Paint



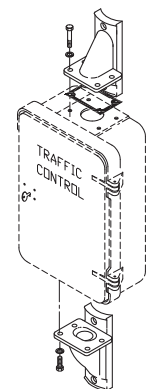
Mounting Kit, Alum For Wood Pole w/ 1-1/2" Single Hub & Closure Plate

SE-1103 - Coating
PNC=Process No Color
P__=Paint



Mounting Kit, Alum Sweep Elbows

SE-1104 - Coating
PNC=Process No Color
P__=Paint



Note: 1. All assemblies are supplied standard with stainless steel fasteners.
2. See Reference Section page v or available paint colors.



Type I & Type IB Police Lock

Aluminum Flasher Cabinets are weather resistant and are available for rear, top and bottom mounting. Various brackets are available for mounting to wood or metal poles. A complete line of Type II or Police Type cabinets are available.



CABINETS

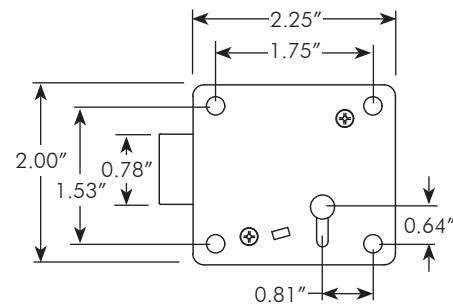
pelco
PELCO PRODUCTS, INC.



Cabinet Lock, Police Type I

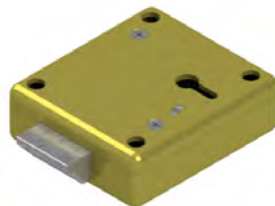
SM-1012 -  - BRS

- Keys
- 0K=Lock Only
 - 1SK=Lock w/ 1 Short Key
 - 2SK=Lock w/ 2 Short Keys
 - 1LK=Lock w/ 1 Long Key
 - 2LK=Lock w/ 2 Long Keys



SM-0109-BRS **Short Key, Type I Cabinet Lock, 1-3/4"**

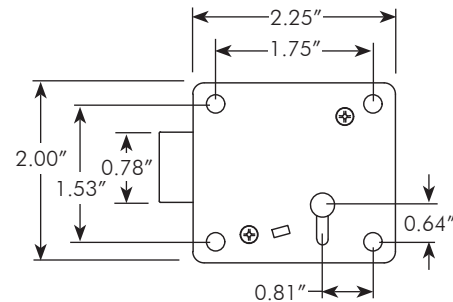
SM-0200-BRS **Long Key, Type I Cabinet Lock, 2-5/8"**



Cabinet Lock, Type IB

SM-1021 -  - BRS

- Keys
- 0K=Lock Only
 - 1SK=Lock w/ 1 Key
 - 2SK=Lock w/ 2 Keys



SM-0338-M1 **Key, Type IB Cabinet Lock, Nickle Plated**

Note: 1. Specify key options when ordering.



Type II Tumbler Lock

Aluminum Flasher Cabinets are weather resistant and are available for rear, top and bottom mounting. Various brackets are available for mounting to wood or metal poles. A complete line of Type II or Police Type cabinets are available.

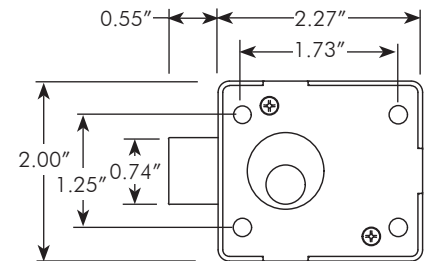


Cabinet Lock, Type II Square Latch



Keys
SM-1026 -  - BRS

OK=Lock Only
1K=Lock w/ 1 Key
2K=Lock w/ 2 Keys



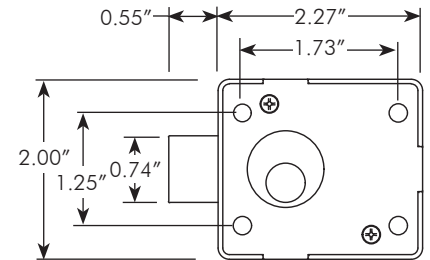
Note:
Right hand shown, for left hand rotate 180°.

Cabinet Lock, Type II Tapered Latch



Keys
SM-1023 -  - BRS

OK=Lock Only
1K=Lock w/ 1 Key
2K=Lock w/ 2 Keys



Note:
Right hand shown, for left hand rotate 180°.



SM-0198-2-CRM **Key, Type II Cabinet Lock**



SM-0198-B-CRM **Blank Key, Type II Cabinet Lock**

Note: 1. Unless otherwise specified, all locks will be provided to fit a Type II Key.



This page is intentionally left blank.

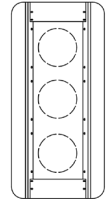


AeroFlex™ Backplates

Pelco's innovative flexible backplate design reduces stress to the backplate, signal, signal mount, and mounting structure at elevated wind speeds. AeroFlex Backplates are fabricated from black dual durometer thermoplastics that combine rigidity and flexibility. The universal design will fit most current signal manufactures, while signal specific backplates are available upon request. Available with 2" or 3" reflective borders.



Universal Straight Backplate AeroFlex, Dual Durometer PVC



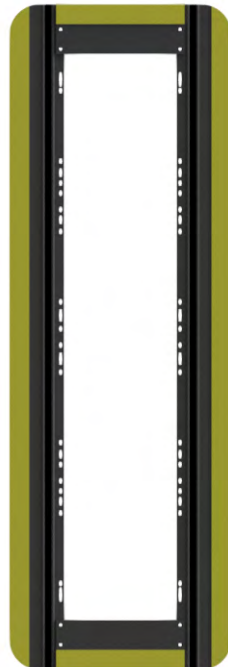
BK-8000 - - - PNC

Signal Section: 1=1-Sec, 2=2-Sec, 3=3-Sec, 4=4-Sec, 5=5-Sec
 Reflective Borders: Blank=No Tape, RT2= 2" Reflective Tape, RT3= 3" Reflective Tape

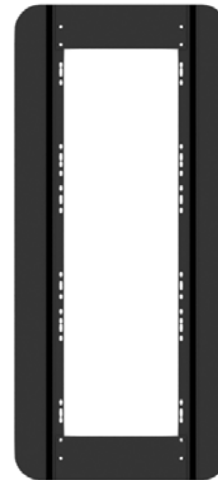
Signal Size	Signal Height	Manufacturer
12"	13-1/2"	Peek
12"	13-1/2"	McCain
12"	13-1/2"	Mark IV
12"	14"	Econolite
12"	14"	Eagle SA
12"	14"	North American

Notes:

1. Universal AeroFlex backplates will fit Peek, McCain, Mark IV, Econolite, Eagle SA, and North American signals.
2. The Universal AeroFlex backplate will not fit Eagle SG bubbleback signals. See BK-8100 EagleSG AeroFlex Backplates.



BK-8000-4-RT2-PNC
12", 3-Section Universal
w/ 2" Reflective Tape
EXAMPLE



BK-8000-3-PNC
12", 3-Section Universal
EXAMPLE

Note:

1. For signal specific straight AeroFlex backplates see page T10-2.
2. For backplate matrix see page T10-17 thru 21.
3. Reflective tape meets and/or exceeds ASTM D4956 Type XI specification.



AeroFlex Backplates

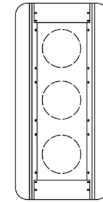
Pelco's innovative flexible backplate design reduces stress to the backplate, signal, signal mount, and mounting structure at elevated wind speeds. AeroFlex Backplates are fabricated from black dual durometer thermoplastics that combine rigidity and flexibility. The universal design will fit most current signal manufacturers, while signal specific backplates are available upon request. Available with 2" or 3" reflective borders.



BACKPLATES



Signal Specific Straight Backplate, AeroFlex Dual Durometer PVC



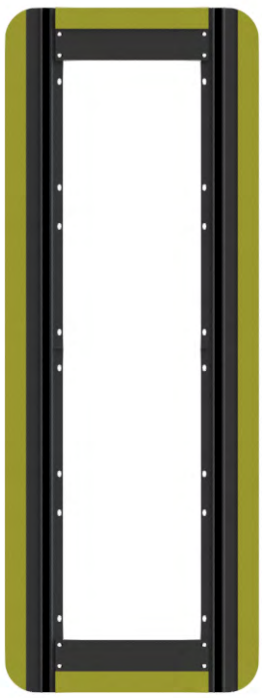
BK-8100 - - - - PNC

Signal Section Signal Manufacturer Reflective Borders

1=1-Sec PeekTCT=Peek & TCT Blank=No Tape
 2=2-Sec McCain=McCain RT2= 2" Reflective Tape
 3=3-Sec EagleSG=Eagle SG RT3= 3" Reflective Tape
 4=4-Sec EagleSA=Eagle SA
 5=5-Sec Econolite=Econolite

Signal Size	Signal Height	Manufacturer
12"	13-1/2"	Peek
12"	13-1/2"	McCain
12"	13-1/2"	Mark IV
12"	13-1/2"	Eagle SG
12"	14"	Eagle SA
12"	14"	Econolite
12"	14"	North American

Note: Designed to fit each specific manufacturers signal.



BK-8100-4-McCain-RT2-PNC
12", 4-Section McCain
w/ 2" Reflective Tape
EXAMPLE



BK-8100-3-EagleSG-PNC
12", 3-Section Eagle SG
EXAMPLE

Note:
 1. For universal straight AeroFlex backplates see page T10-1.
 2. For backplate matrix see page T10-17 thru 21.
 3. Reflective tape meets and/or exceeds ASTM D4956 Type XI specification.

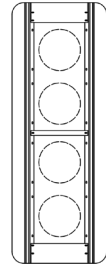


AeroFlex Backplates

Pelco's innovative flexible backplate design reduces stress to the backplate, signal, signal mount, and mounting structure at elevated wind speeds. AeroFlex Backplates are fabricated from black dual durometer thermoplastics that combine rigidity and flexibility. The universal design will fit most current signal manufactures, while signal specific backplates are available upon request. Available with 2" or 3" reflective borders.



Signal Specific Plumbizer Backplate, AeroFlex Dual Durometer PVC



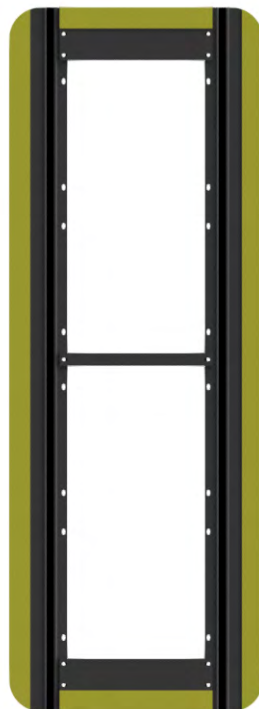
BK-8101 - - - - PNC

Signal Section: 3=3-Sec, 4=4-Sec, 5=5-Sec
 Signal Manufacturer: PeekTCT=Peek & TCT, McCain=McCain, EagleSG=Eagle SG, Econolite=Econolite
 Reflective Borders: Blank=No Tape, RT2= 2" Reflective Tape, RT3= 3" Reflective Tape

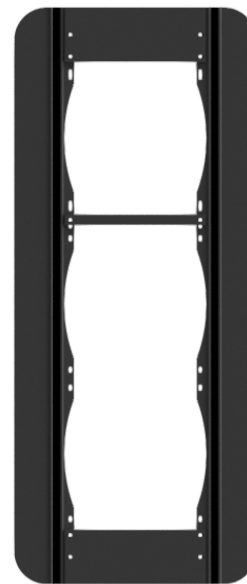
Notes:

1. Designed to fit each specific manufacturers signal.
2. Universal AeroFlex backplates for inline plumbizer mounts are not available.

Signal Size	Signal Height	Manufacturer
12"	13-1/2"	Peek
12"	13-1/2"	McCain
12"	13-1/2"	Mark IV
12"	13-1/2"	Eagle SG
12"	14"	Eagle SA
12"	14"	Econolite
12"	14"	North American



BK-8101-4-McCain-RT2-PNC
12", 4-Section McCain Plumbizer Mnt
w/ 2" Reflective Tape
EXAMPLE



BK-8101-3-EagleSG-PNC
12", 3-Section Eagle SG Plumbizer Mnt
EXAMPLE

Note:

1. Plumbizer mounted AeroFlex backplates are only available for dedicated signal manufacturers.
2. For backplate matrix see page T10-17 thru 21.
3. Reflective tape meets and/or exceeds ASTM D4956 Type XI specification.



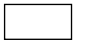

AeroFlex Backplates

Pelco's innovative flexible backplate design reduces stress to the backplate, signal, signal mount, and mounting structure at elevated wind speeds. AeroFlex Backplates are fabricated from black dual durometer thermoplastics that combine rigidity and flexibility. The universal design will fit most current signal manufactures, while signal specific backplates are available upon request. Available with 2" or 3" reflective borders.

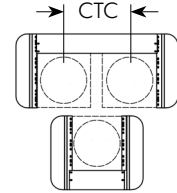


Universal 3-Section Hawk Backplate, AeroFlex Dual Durometer PVC

Center to Center Reflective Borders

BK-8003 -  -  - PNC

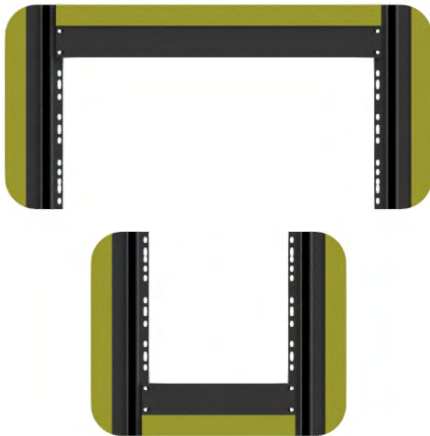
16=16" CTC Blank=No Tape
16.5=16-1/2" CTC RT2= 2" Reflective Tape
17=17" CTC RT3= 3" Reflective Tape



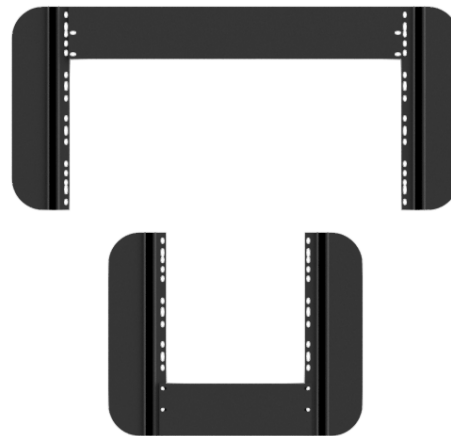
Signal Size	Signal Height	Manufacturer
12"	13-1/2"	Peek
12"	13-1/2"	McCain
12"	13-1/2"	Mark IV
12"	14"	Econolite
12"	14"	Eagle SA
12"	14"	North American

Notes:

1. Universal AeroFlex backplates will fit Peek, McCain, Mark IV, Econolite, Eagle SA, and North American signals.
2. The Universal AeroFlex backplate will not fit Eagle SG bubbleback signals. See BK-8103 EagleSG AeroFlex Backplates.



BK-8003-16-RT2-PNC
12", 3-Section Cluster Hawk, 16" CTC
w/ 2" Reflective Tape
EXAMPLE



BK-8003-17-PNC
12", 3-Section Cluster Hawk, 17" CTC
EXAMPLE

Note:

1. For signal specific 3-section Hawk AeroFlex backplate see page T10-5.
2. For backplate matrix see page T10-17 thru 21.
3. Reflective tape meets and/or exceeds ASTM D4956 Type XI specification.



AeroFlex™ Backplates

Pelco's innovative flexible backplate design reduces stress to the backplate, signal, signal mount, and mounting structure at elevated wind speeds. AeroFlex Backplates are fabricated from black dual durometer thermoplastics that combine rigidity and flexibility. The universal design will fit most current signal manufactures, while signal specific backplates are available upon request. Available with 2" or 3" reflective borders.

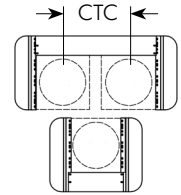


Signal Specific 3-Section Hawk Backplate, AeroFlex Dual Durometer PVC

Center to Center Signal Manufacturer Reflective Borders

BK-8103 - - - - PNC

16=16" CTC McCain=McCain Blank=No Tape
16.5=16-1/2" CTC EagleSG=Eagle SG RT2= 2" Reflective Tape
17=17" CTC RT3= 3" Reflective Tape

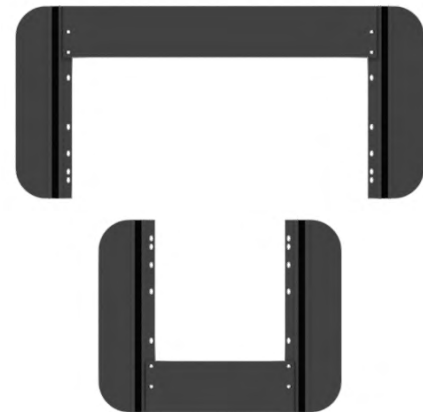


Note: Designed to fit each specific manufacturers signal.

Signal Size	Signal Height	Manufacturer
12"	13-1/2"	Peek
12"	13-1/2"	McCain
12"	13-1/2"	Mark IV
12"	13-1/2"	Eagle SG
12"	14"	Eagle SA
12"	14"	Econolite
12"	14"	North American



BK-8103-16-EagleSG-RT2-PNC
12", 3-Section Cluster Hawk, Eagle SG, 16" CTC
w/ 2" Reflective Tape
EXAMPLE



BK-8103-16-McCain-PNC
12", 3-Section Cluster Hawk, McCain, 16" CTC
EXAMPLE

- Note:
1. For universal 3-section Hawk AeroFlex backplate see page T10-4.
 2. For backplate matrix see page T10-17 thru 21.
 3. Reflective tape meets and/or exceeds ASTM D4956 Type XI specification.



AeroFlex Backplates

Pelco's innovative flexible backplate design reduces stress to the backplate, signal, signal mount, and mounting structure at elevated wind speeds. AeroFlex Backplates are fabricated from black dual durometer thermoplastics that combine rigidity and flexibility. The universal design will fit most current signal manufactures, while signal specific backplates are available upon request. Available with 2" or 3" reflective borders.

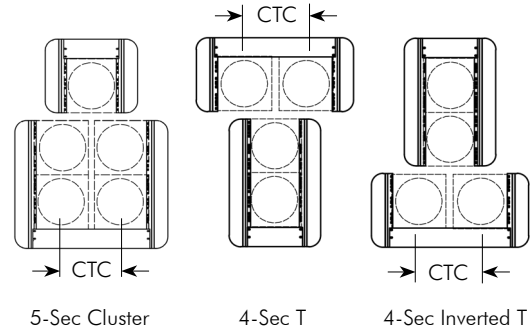


Universal 4 or 5-Section Cluster Backplate, AeroFlex Dual Durometer PVC

BK-8005 - - - PNC

Center to Center Reflective Borders

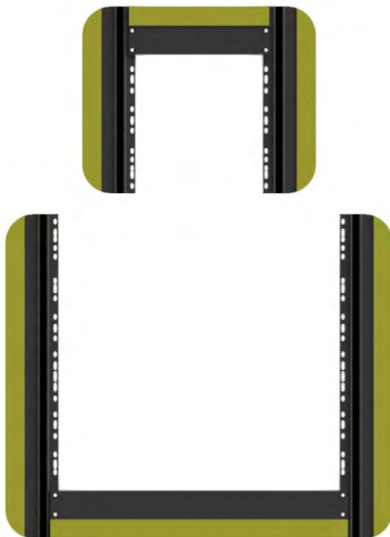
16=16" CTC Blank=No Tape
16.5=16-1/2" CTC RT2= 2" Reflective Tape
17=17" CTC RT3= 3" Reflective Tape



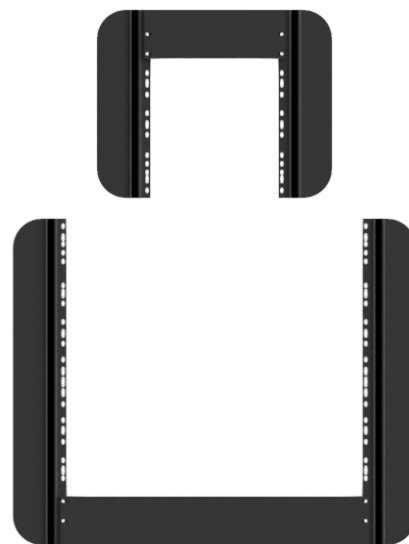
Notes:

1. Universal AeroFlex backplates will fit Peek, McCain, Mark IV, Econolite, Eagle SA, and North American signals.
2. The Universal AeroFlex backplate will not fit Eagle SG bubbleback signals. See BK-8105 EagleSG AeroFlex Backplates.
3. BK-8005 AeroFlex backplates can be configured for 5-Sec Cluster, 4-Sec T, or 4-Sec Inverted T signal mounts.

Signal Size	Signal Height	Manufacturer
12"	13-1/2"	Peek
12"	13-1/2"	McCain
12"	13-1/2"	Mark IV
12"	14"	Econolite
12"	14"	Eagle SA
12"	14"	North American



BK-8005-16-RT2-PNC
12", 5-Section Cluster, 16" CTC
w/ 2" Reflective Tape
EXAMPLE



BK-8005-17-PNC
12", 5-Section Cluster, 17" CTC
EXAMPLE

BACKPLATES

pelco PELCO PRODUCTS, INC.



Note:

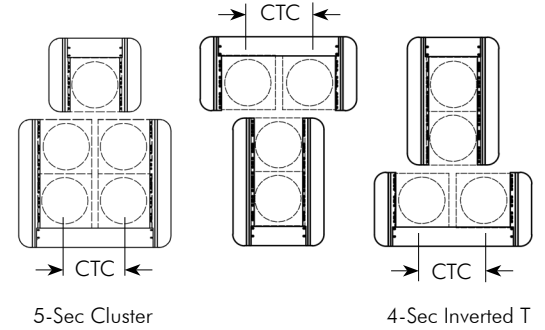
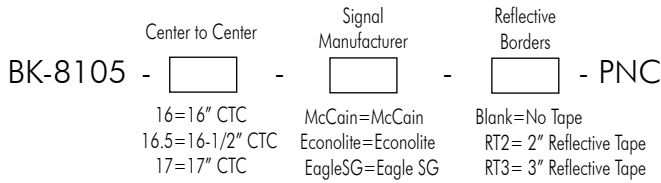
1. For signal specific 5-section cluster AeroFlex backplate see page T10-7.
2. For backplate matrix see page T10-17 thru 21.
3. Reflective tape meets and/or exceeds ASTM D4956 Type XI specification.

AeroFlex™ Backplates

Pelco's innovative flexible backplate design reduces stress to the backplate, signal, signal mount, and mounting structure at elevated wind speeds. AeroFlex Backplates are fabricated from black dual durometer thermoplastics that combine rigidity and flexibility. The universal design will fit most current signal manufacturers, while signal specific backplates are available upon request. Reflective borders also available.



Signal Specific 4 or 5-Section Cluster Backplate, AeroFlex Dual Durometer PVC

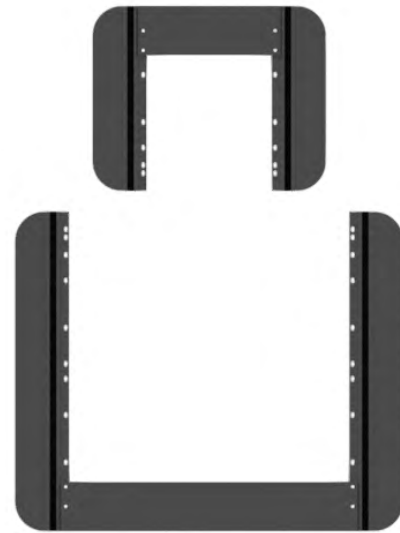


Signal Size	Signal Height	Manufacturer
12"	13-1/2"	Peek
12"	13-1/2"	McCain
12"	13-1/2"	Mark IV
12"	13-1/2"	Eagle SG
12"	14"	Eagle SA
12"	14"	Econolite
12"	14"	North American

- Note:
1. Designed to fit each specific manufacturers signal.
 3. BK-8105 AeroFlex backplates can be configured for 5-Sec Cluster, 4-Sec T, or 4-Sec Inverted T signal mounts.



BK-8105-17-RT2- EagleSG-PNC
12", 5-Section Cluster Eagle SG, 17" CTC
w/ 2" Reflective Tape
EXAMPLE



BK-8105-16- McCain-PNC
12", 5-Section Cluster McCain, 16" CTC
EXAMPLE

- Note:
1. For universal 5-section cluster AeroFlex backplate see page T10-6.
 2. For backplate matrix see page T10-17 thru 21.
 3. Reflective tape meets and/or exceeds ASTM D4956 Type XI specification.

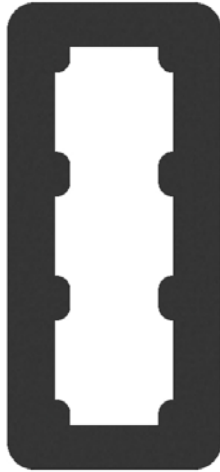


This page is intentionally left blank.

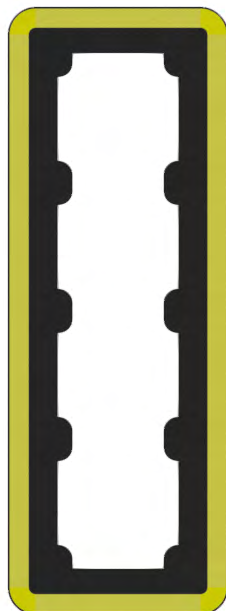
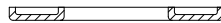


Vacuum Formed ABS

Pelco's vacuum formed backplates are fabricated from black ABS UV stabilized plastic sheeting with a 3" corner radius and a 5/8" flange on all sides. Backplates with reflective borders have a smooth finish on front side, while non-reflective backplates have a haircell finish on front. Backplates are designed to precisely fit each manufacturer's signal head and are supplied with necessary mounting hardware.



BK-1003-SERIES
12", 3-Section
EXAMPLE



BK-1004-RT2 SERIES
12", 4-Section w/ Reflective Tape
EXAMPLE

BK-1000 Series Straight Backplates, Vacuum Formed ABS Plastic, .125"

BK - - - - PNC

1000 Series Signal Reflective
See Below Manufacturer Borders

Blank=No Tape
RT2= 2" Reflective Tape

Note:
Use charts below to specify part number, ie., BK-1003-A-PNC

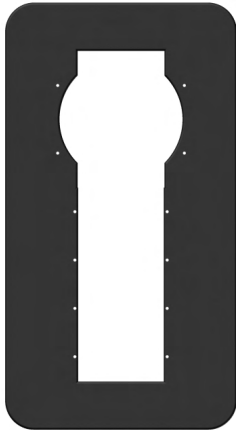
STRAIGHT VACUUM FORMED BACKPLATES		
Signal Size	No. of Sections	1000 Series Vacuum Formed ABS
8"	1	BK-1012
8"	3	BK-1006
12"	1	BK-1001
12"	2	BK-1002
12"	3	BK-1003
12"	4	BK-1004
12"	5	BK-1005

SIGNAL MANUFACTURER	
Peek/TCT (alum 13-1/2" tall)	C
Automatic (poly 13-1/2" tall).....	A
Eagle SG/Mark IV (alum/poly 13-1/2" tall)	F
McCain (alum/poly 13-1/2" tall)	N
Eagle SA (poly 14" tall)	E
Econolite (alum/poly 14" tall)	L3/L4

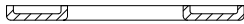
- Note:
1. Backplates for all Signal Manufacturers may not be available.
 2. For backplate matrix see page T10-17 thru 21.
 3. Reflective tape meets and/or exceeds ASTM D4956 Type XI specification.

Vacuum Formed ABS

Pelco's vacuum formed backplates are fabricated from black ABS UV stabilized plastic sheeting with a 3" corner radius and a 5/8" flange on all sides. Backplates with reflective borders have a smooth finish on front side, while non-reflective backplates have a haircell finish on front. Backplates are designed to precisely fit each manufacturers' signal head and are supplied with necessary mounting hardware.



BK-1011-SERIES
12"-8"-8", 3-Section
EXAMPLE



BK-1014-RT2 SERIES
12"-12"-8"-8"-8", 5-Section w/ Reflective Tape
EXAMPLE

BK-1000 Series Combination Backplates, Vacuum Formed ABS Plastic, .125"

BK - - - - PNC

1000 Series Signal Reflective
See Below Manufacturer Borders
Blank=No Tape
RT2= 2" Reflective Tape

Note:
Use charts below to specify part number, ie., BK-1011-A-PNC

COMBINATION VACUUM FORMED BACKPLATES		
Signal Size	No. of Sections	1000 Series Vacuum Formed ABS
12"-8"-8"	3	BK-1011
12"-12"-8"-8"-8"	5	BK-1014

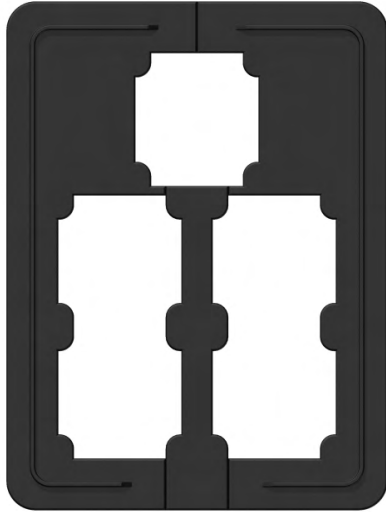
SIGNAL MANUFACTURER	
Peek/TCT (alum 13-1/2" tall)	C
Automatic (poly 13-1/2" tall).....	A
Eagle SG/Mark IV (alum/poly 13-1/2" tall)	F
McCain (alum/poly 13-1/2" tall)	N
Eagle SA (poly 14" tall)	E
Econolite (alum/poly 14" tall)	L3/L4

- Note:
1. Backplates for all Signal Manufacturers may not be available.
 2. For backplate matrix see page T10-17 thru 21.
 3. Reflective tape meets and/or exceeds ASTM D4956 Type XI specification.

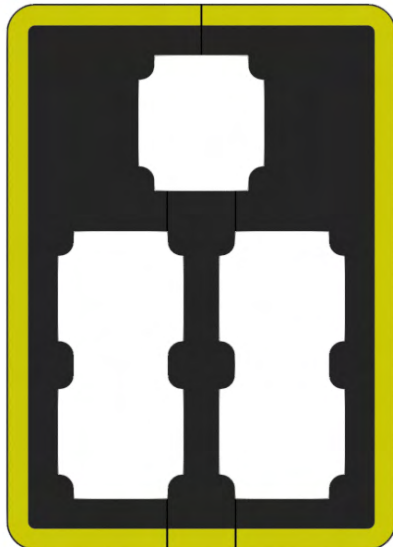
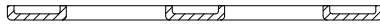


Vacuum Formed ABS

Pelco's vacuum formed backplates are fabricated from black ABS UV stabilized plastic sheeting with a 3" corner radius and a 5/8" flange on all sides. Backplates with reflective borders have a smooth finish on front side, while non-reflective backplates have a haircell finish on front. Backplates are designed to precisely fit each manufacturer's signal head and are supplied with necessary mounting hardware.



BK-1007-SERIES
5-Section Cluster
EXAMPLE



BK-1010-RT2 SERIES
5-Section Cluster w/ Reflective Tape
EXAMPLE

BK-1000 Series 5-Sec Cluster Backplates, Vacuum Formed ABS Plastic, .125"

BK - - - - PNC

1000 Series Signal Reflective
See Below Manufacturer Borders
Blank=No Tape
RT2= 2" Reflective Tape

Note:
Use charts below to specify part number, ie., BK-1007-A-PNC

CLUSTER VACUUM FORMED BACKPLATES			
Signal Size	No. of Sections	1000 Series Vacuum Formed ABS	Mounting Application
$\frac{12''}{12''12''}$	5	BK-1007	AS-0109 Astro-Brac 16" CTC
$\frac{12''}{12''12''}$	5	BK-1010	Span Wire 16-1/2" CTC
$\frac{12''}{12''12''}$	5	BK-1021	Span Wire Casting 17" CTC
$\frac{12''}{12''12''}$	5	BK-1015	Plumbizer Mount 17" CTC

SIGNAL MANUFACTURER	
Peek/TCT (alum 13-1/2" tall)	C
Automatic (poly 13-1/2" tall)	A
Eagle SG/Mark IV (alum/poly 13-1/2" tall)	F
McCain (alum/poly 13-1/2" tall)	N
Eagle SA (poly 14" tall)	E
Econolite (alum/poly 14" tall)	L3/L4

- Note:
1. Backplates for all Signal Manufacturers may not be available.
 2. For backplate matrix see page T10-17 thru 21.
 3. Reflective tape meets and/or exceeds ASTM D4956 Type XI specification.

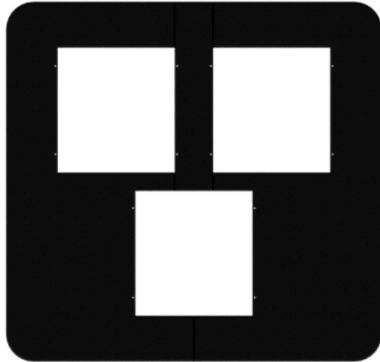


Vacuum Formed ABS

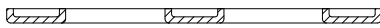
Pelco's vacuum formed backplates are fabricated from black ABS UV stabilized plastic sheeting with a 3" corner radius and a 5/8" flange on all sides. Backplates with reflective borders have a smooth finish on front side, while non-reflective backplates have a haircell finish on front. Backplates are designed to precisely fit each manufacturers' signal head and are supplied with necessary mounting hardware.



BK-1000 Series Hawk 3-Sec Cluster Backplates, Vacuum Formed ABS Plastic, .125"



BK-1032-SERIES
3-Section Hawk Cluster
EXAMPLE

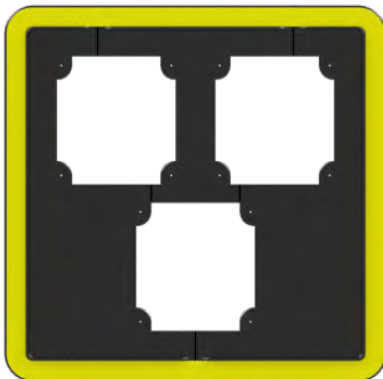


BK - - - - PNC

1000 Series Signal Reflective
See Below Manufacturer Borders
Blank=No Tape
RT2= 2" Reflective Tape

Note:
Use charts below to specify part number, ie., BK-1007-A-PNC

CLUSTER VACUUM FORMED BACKPLATES			
Signal Size	No. of Sections	1000 Series Vacuum Formed ABS	Mounting Application
$\frac{12''}{12''} \frac{12''}{12''}$	3	BK-1032	AG/AS-0167 or AG/AS-0168 Astro-Brac 17" CTC
$\frac{12''}{12''} \frac{12''}{12''}$	3	BK-1034	Plumbizer Mount 17" CTC



BK-1032-RT2 SERIES
3-Section Hawk Cluster w/ Reflective Tape
EXAMPLE

SIGNAL MANUFACTURER	
Peek/TCT (alum 13-1/2" tall)	C
Automatic (poly 13-1/2" tall)	A
Eagle SG/Mark IV (alum/poly 13-1/2" tall)	F
McCain (alum/poly 13-1/2" tall)	N
Eagle SA (poly 14" tall)	E
Econolite (alum/poly 14" tall)	L3/L4

Note:
1. Backplates for all Signal Manufacturers may not be available.
2. For backplate matrix see page T10-17 thru 21.
3. Reflective tape meets and/or exceeds ASTM D4956 Type XI specification.

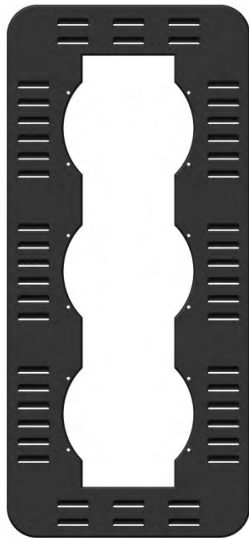


Louvered Vacuum Formed ABS

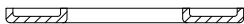
Pelco's louvered vacuum formed backplates are fabricated from black ABS UV stabilized plastic sheeting with a 3" corner radius, 5/8" flange on all sides, and with a haircell finish on the front side. Louvered backplates are not available with reflective tape borders. Backplates are designed to precisely fit each manufacturers' signal head and are supplied with necessary mounting hardware.



BK-5000 Series Louvered Straight Backplates, Vacuum Formed ABS Plastic, .125"



BK-5003-SERIES
12", 3-Section
EXAMPLE



BK - - - PNC

Note:
Use charts below to specify part number, ie., BK-5003-A-PNC

STRAIGHT LOUVERED BACKPLATES		
Signal Size	No. of Sections	5000 Series Vacuum Formed ABS
12"	3	BK-5003
12"	4	BK-5004
12"	5	BK-5005

SIGNAL MANUFACTURER	
Peek/TCT (alum 13-1/2" tall)	C
Automatic (poly 13-1/2" tall)	A
Eagle SG/Mark IV (alum/poly 13-1/2" tall)	F
McCain (alum/poly 13-1/2" tall)	N
Eagle SA (poly 14" tall)	E
Econolite (alum/poly 14" tall)	L3/L4

Note:
1. Backplates for all Signal Manufacturers may not be available.
2. For backplate matrix see page T10-17 thru 21.

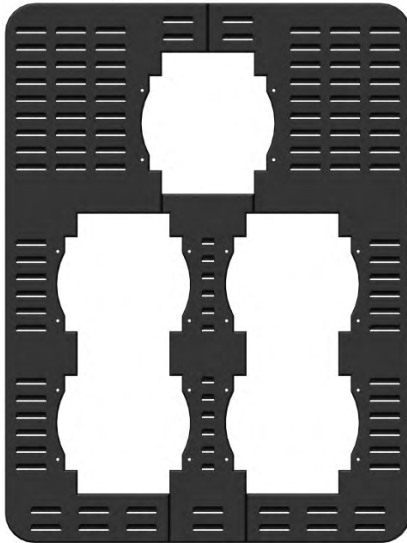


Louvered Vacuum Formed ABS

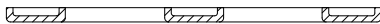
Pelco's louvered vacuum formed backplates are fabricated from black ABS UV stabilized plastic sheeting with a 3" corner radius, 5/8" flange on all sides, and with a haircell finish on the front side. Louvered backplates are not available with reflective tape borders. Backplates are designed to precisely fit each manufacturer's signal head and are supplied with necessary mounting hardware.



BK-5000 Series Louvered 5-Section Cluster Backplates, Vacuum Formed ABS Plastic, .125"



BK-5021-SERIES
5-Section
EXAMPLE



5000 Series Signal
Manufacturer

BK - - - PNC

Note:
Use charts below to specify part number, ie., BK-5021-A-PNC

CLUSTER LOUVERED BACKPLATES			
Signal Size	No. of Sections	1000 Series Vacuum Formed ABS	Mounting Application
$\frac{12''}{12''12''}$	5	BK-5007	AS-0109 Astro-Brac 16" CTC
$\frac{12''}{12''12''}$	5	BK-5010	Span Wire 16-1/2" CTC
$\frac{12''}{12''12''}$	5	BK-5021	Span Wire Casting 17" CTC

SIGNAL MANUFACTURER	
Peek/TCT (alum 13-1/2" tall)	C
Automatic (poly 13-1/2" tall).....	A
Eagle SG/Mark IV (alum/poly 13-1/2" tall)	F
McCain (alum/poly 13-1/2" tall)	N
Eagle SA (poly 14" tall)	E
Econolite (alum/poly 14" tall).....	L3/L4

BACKPLATES


 PELCO PRODUCTS, INC.

Note:
1. Backplates for all Signal Manufacturers may not be available.
2. For backplate matrix see page T10-17 thru 21.





BK-0121-SS **Hardware Kit, AeroFlex Backplate**

- Note: 1. Kit includes: (8) 1/4"-20 x 3/4" Screws, (16) 1/4" Flat Washers, (8) 1/4" Lock Nuts
2. Hardware Kit mounts top and bottom to sides of backplate.

BK-0122-SS **Hardware Kit, AeroFlex Backplate**

- Note: 1. Kit includes: (10) 1/4"-20 x 3/4" Screws, (20) 1/4" Flat Washers, (10) 1/4" Lock Nuts
2. Hardware kit mounts top, bottom, and bottom to sides of plumbizer backplates.



Signal Section

BK-0120- -SS **Hardware Kit, AeroFlex Backplate**

- 3=Set of 12
4=Set of 16
5=Set of 20

- Note: 1. Kit includes: #10 x 5/8" Screws, #10 x 1/2" Screws, Rectangular Washers
2. Hardware Kit to mount backplate to both aluminum and poly signals.



BK-0101-SS **Hardware Kit, Backplate, Stainless**

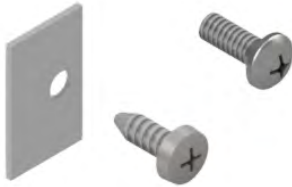
- Note: 1. Kit includes: (12) #8 x 3/4" Screws, (12) Locknuts, (24) Rectangular Washers
2. Hardware Kits are used with A, F, C, L3 alum backplates.

BK-0113-SS **Hardware Kit, Split Backplate, Stainless**

- Note: 1. Kit includes: (2) #8 x 3/4" Screws, (2) Locknuts, 4 Rectangular Washers
2. Hardware Kits are used with A, E, C, N, F, L3L4 split backplates.

BK-0117-SS **Hardware Kit, Backplate, Stainless**

- Note: 1. Kit includes: (12) #8 x 7/8" Screws, (12) Locknuts, (24) Rectangular Washers

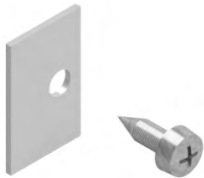


Signal Section

BK-0123- -SS **Hardware Kit, Econolite Backplate**

- 3=Set of 12
4=Set of 16
5=Set of 20

- Note: 1. Kit includes: #10-24 x 1/2" Screws, #10-16 x 1/2" Screws, Rectangular Washers
2. Hardware Kit to mount backplate to L3L4 aluminum and poly Econolite signals.



BK-0108-SS **Hardware Kit, Backplate, Stainless**

- Note: 1. Kit includes: (12) #8 x 1/2" Screws, (12) Rectangular Washers
2. Hardware Kits are used with E backplates.

BK-0110-SS **Hardware Kit, Backplate, Stainless**

- Note: 1. Kit includes: (12) #10 x 1/2" Screws, (12) Rectangular Washers
2. Hardware Kits are used with N, FT backplates.



BK-0106-PNC **Hardware Kit, Backplate**

- Note: 1. Kit includes: (8) #10 x 1/2" Screws, (8) #8 Tinnerman Nuts
2. Hardware Kits are used with A, E, F, C, N, L3L4 backplates.

- Note: 1. All fasteners, with the exception of the steel tinnerman nut, are stainless.
2. See previous ABS Backplate pages for signal manufacturer designations.



Inline Backplate Matrix

BACKPLATES



Signal Manufacturer	Suffix	Signal Mat'l	Signal Ht	12" 1-Sec	12" 2-Sec	12" 3-Sec	12" 4-Sec	12" 5-Sec	8" 1-Sec	8" 2-Sec	8" 3-Sec
AeroFlex Dual Durometer PVC- BK-8XXX:											
Universal	N/A	Alum/Poly	13-1/2"/14"	BK-8000-1	BK-8000-2	BK-8000-3	BK-8000-4	BK-8000-5			
Peek/TCT	PeekTCT	Alum	13-1/2"			BK-8100-3	BK-8100-4	BK-8100-5			
Eagle SA	EagleSA	Poly	14"	BK-8100-1		BK-8100-3	BK-8100-4	BK-8100-5			
Eagle SG/Mark IV	EagleSG	Alum/Poly	13-1/2"	BK-8100-1	BK-8100-2	BK-8100-3	BK-8100-4	BK-8100-5			
Econolite	Econolite	Alum/Poly	14"			BK-8100-3	BK-8100-4	BK-8100-5			
McCain	McCain	Alum/Poly	13-1/2"	BK-8100-1	BK-8100-2	BK-8100-3	BK-8100-4	BK-8100-5			
Vacuum Formed ABS- BK-10XX:											
Automatic	A	Poly	13-1/2"	BK-1001		BK-1003	BK-1004	BK-1005			
Peek/TCT	C	Alum	13-1/2"	BK-1001		BK-1003	BK-1004	BK-1005			BK-1006
Eagle SA	E	Poly	14"	BK-1001		BK-1003	BK-1004	BK-1005			BK-1006
Eagle SG/Mark IV	F	Alum/Poly	13-1/2"	BK-1001		BK-1003	BK-1004	BK-1005			
Econolite	L3L4	Alum/Poly	14"			BK-1003	BK-1004	BK-1005			
McCain	N	Alum/Poly	13-1/2"	BK-1001		BK-1003	BK-1004	BK-1005			BK-1006
Vacuum Formed Louvered ABS- BK-50XX:											
Automatic	A	Poly	13-1/2"			BK-5003	BK-5004	BK-5005			
Peek/TCT	C	Alum	13-1/2"			BK-5003	BK-5004	BK-5005			
Eagle SA	E	Poly	14"			BK-5003	BK-5004	BK-5005			
Eagle SG/Mark IV	F	Alum/Poly	13-1/2"			BK-5003	BK-5004	BK-5005			
Econolite	L3/L4	Alum/Poly	14"			BK-5003		BK-5005			
McCain	N	Alum/Poly	13-1/2"			BK-5003	BK-5004	BK-5005			
Fortran	FT	Poly	14"			BK-5003	BK-5004				
Split Vacuum Formed- ABS BK-40XX:											
Automatic	A	Poly	13-1/2"			BK-4003	BK-4004	BK-4005			
Peek/TCT	C	Alum	13-1/2"	BK-4001		BK-4003	BK-4004	BK-4005	BK-4006		
Eagle SA	E	Poly	14"	BK-4001		BK-4003	BK-4004	BK-4005			
Eagle SG/Mark IV	F	Alum/Poly	13-1/2"			BK-4003	BK-4004	BK-4005			
Econolite	L3L4	Alum/Poly	14"			BK-4003	BK-4004				
McCain	N	Alum/Poly	13-1/2"			BK-4003	BK-4004	BK-4005	BK-4006		
Split Vacuum Formed Louvered ABS- BK-45XX:											
Automatic	A	Poly	13-1/2"			BK-4503	BK-4504	BK-4505			
Peek/TCT	C	Alum	13-1/2"			BK-4503	BK-4504	BK-4505			
Eagle SA	E	Poly	14"			BK-4503	BK-4504	BK-4505			
Eagle SG/Mark IV	F	Alum/Poly	13-1/2"			BK-4503		BK-4505			
Econolite	L3L4	Alum/Poly	14"								
McCain	N	Alum/Poly	13-1/2"			BK-4503	BK-4504	BK-4505			

Notes:

1. Universal AeroFlex backplates will fit Peek, McCain, Mark IV, Econolite, Eagle SA, and North American signals.
2. The Universal AeroFlex backplate will not fit Eagle SG bubbleback signals.

Note: 1. See pages T10-1 thru 7 for AeroFlex backplates.
2. See pages T10-9 thru 15 for Vacuum Formed backplates.



Cluster Backplate Matrix

Signal Manufacturer	Suffix	Signal Mat'l	Signal Ht	5-Sec 16" CTC	5-Sec 16-1/2" CTC	5-Sec 17" CTC	5-Sec 17" CTC Plumbizer	5-Sec 13-5/8" CTC No Center	4-Sec 16" CTC T / Invert T	4-Sec 16-1/2" CTC T / Invert T	4-Sec 17" CTC T / Invert T
---------------------	--------	--------------	-----------	------------------	----------------------	------------------	-------------------------------	-----------------------------------	----------------------------------	--------------------------------------	----------------------------------

AeroFlex Dual Durometer PVC- BK-8XXX:

Universal	N/A	Alum/Poly	13-1/2"/14"	BK-8005-16	BK-8005-16.5	BK-8005-17	BK-8005-17		BK-8005-16	BK-8005-16.5	BK-8005-17
Peek/TCT	PeekTCT	Alum	13-1/2"								
Eagle SA	EagleSA	Poly	14"								
Eagle SG/Mark IV	EagleSG	Poly	13-1/2"	BK-8105-16	BK-8105-16.5	BK-8105-17	BK-8105-17		BK-8105-16	BK-8105-16.5	BK-8105-17
Econolite	Econolite	Alum/Poly	14"	BK-8105-16	BK-8105-16.5	BK-8105-17	BK-8105-17		BK-8105-16	BK-8105-16.5	BK-8105-17
McCain	McCain	Alum/Poly	13-1/2"	BK-8105-16	BK-8105-16.5	BK-8105-17	BK-8105-17		BK-8105-16	BK-8105-16.5	BK-8105-17

Vacuum Formed ABS- BK-10XX:

Automatic	A	Poly	13-1/2"	BK-1007	BK-1010	BK-1021					
Peek/TCT	C	Alum	13-1/2"	BK-1007	BK-1010	BK-1021	BK-1015				
Eagle SA	E	Poly	14"	BK-1007	BK-1010	BK-1021		BK-1009			
Eagle SG/Mark IV	F	Alum/Poly	13-1/2"	BK-1007	BK-1010	BK-1021					
Econolite	L3L4	Alum/Poly	14"	BK-1007		BK-1021					
McCain	N	Alum/Poly	13-1/2"	BK-1007	BK-1010	BK-1021					

Vacuum Formed Louvered ABS- BK-50XX:

Automatic	A	Poly	13-1/2"	BK-5007		BK-5021					
Peek/TCT	C	Alum	13-1/2"	BK-5007		BK-5021					
Eagle SA	E	Poly	14"	BK-5007		BK-5021		BK-5009			
Eagle SG/Mark IV	F	Alum/Poly	13-1/2"	BK-5007	BK-5010	BK-5021					
Econolite	L3L4	Alum/Poly	14"								
McCain	N	Alum/Poly	13-1/2"	BK-5007	BK-5010	BK-5021					

Split Vacuum Formed- ABS BK-40XX:

Automatic	A	Poly	13-1/2"								
Peek/TCT	C	Alum	13-1/2"								
Eagle SA	E	Poly	14"					BK-4009			
Eagle SG/Mark IV	F	Alum/Poly	13-1/2"								
Econolite	L3L4	Alum/Poly	14"								
McCain	N	Alum/Poly	13-1/2"								

Split Vacuum Formed Louvered ABS- BK-45XX:

Automatic	A	Poly	13-1/2"								
Peek/TCT	C	Alum	13-1/2"								
Eagle SA	E	Poly	14"					BK-4509			
Eagle SG/Mark IV	F	Alum/Poly	13-1/2"								
Econolite	L3L4	Alum/Poly	14"								
McCain	N	Alum/Poly	13-1/2"								

Notes:

1. Universal AeroFlex backplates will fit Peek, McCain, Mark IV, Econolite, Eagle SA, and North American signals.
2. The Universal AeroFlex backplate will not fit Eagle SG bubbleback signals.
3. BK-8005 & BK-8105 AeroFlex backplates can be configured for mounting 5-Sec Cluster, 4-Sec T, or 4-Sec Inverted T.

Note: 1. See pages T10-1 thru 7 for AeroFlex backplates.
2. See pages T10-9 thru 15 for Vacuum Formed backplates.



Hawk Cluster Backplate Matrix

Signal Manufacturer	Suffix	Signal Mat'l	Signal Ht	3-Sec Hawk 16 CTC	3-Sec Hawk 16.5" CTC	3-Sec Hawk 17" CTC	3-Sec Hawk 16" CTC Plumbizer	3-Sec Hawk 16.5" CTC Plumbizer	3-Sec Hawk 17" CTC Plumbizer
AeroFlex Dual Durometer PVC- BK-8XXX:									
Universal	N/A	Alum/Poly	13-1/2"/14"	BK-8003-16	BK-8003-16.6	BK-8003-17	BK-8003-16	BK-8003-16.5	BK-8003-17
Peek/TCT	PeekTCT	Alum	13-1/2"						
Eagle SA	EagleSA	Poly	14"						
Eagle SG/Mark IV	EagleSG	Alum/Poly	13-1/2"	BK-8103-16	BK-8103-16.5	BK-8103-17	BK-8103-16	BK-8103-16.5	BK-8103-17
Econolite	Econolite	Alum/Poly	14"						
McCain	McCain	Alum/Poly	13-1/2"	BK-8103-16	BK-8103-16.5	BK-8103-17	BK-8103-16	BK-8103-16.5	BK-8103-17
Vacuum Formed ABS- BK-10XX:									
Automatic	A	Poly	13-1/2"			BK-1032			
Peek/TCT	C	Alum	13-1/2"			BK-1032			
Eagle SA	E	Poly	14"						BK-1034
Eagle SG/Mark IV	F	Alum/Poly	13-1/2"			BK-1032			
Econolite	L3L4	Alum/Poly	14"						
McCain	N	Alum/Poly	13-1/2"						
Vacuum Formed Louvered ABS- BK-50XX:									
Automatic	A	Poly	13-1/2"			BK-5022			
Peek/TCT	C	Alum	13-1/2"						
Eagle SA	E	Poly	14"						
Eagle SG/Mark IV	F	Alum/Poly	13-1/2"			BK-5022			
Econolite	L3L4	Alum/Poly	14"						
McCain	N	Alum/Poly	13-1/2"						
Split Vacuum Formed- ABS BK-40XX:									
Automatic	A	Poly	13-1/2"						
Peek/TCT	C	Alum	13-1/2"						
Eagle SA	E	Poly	14"						
Eagle SG/Mark IV	F	Alum/Poly	13-1/2"						
Econolite	L3L4	Alum/Poly	14"						
McCain	N	Alum/Poly	13-1/2"						
Split Vacuum Formed Louvered ABS- BK-45XX:									
Automatic	A	Poly	13-1/2"						
Peek/TCT	C	Alum	13-1/2"						
Eagle SA	E	Poly	14"						
Eagle SG/Mark IV	F	Alum/Poly	13-1/2"						
Econolite	L3L4	Alum/Poly	14"						
McCain	N	Alum/Poly	13-1/2"						

Notes:

1. Universal AeroFlex backplates will fit Peek, McCain, Mark IV, Econolite, Eagle SA, and North American signals.
2. The Universal AeroFlex backplate will not fit Eagle SG bubbleback signals.

Note: 1. See pages T10-1 thru 7 for AeroFlex backplates.
2. See pages T10-9 thru 15 for Vacuum Formed backplates.



Plumbizer Backplate Matrix

Signal Manufacturer	Suffix	Signal Mat'l	Signal Ht	3-Sec Inline Plumbizer	4-Sec Inline Plumbizer	5-Sec Inline Plumbizer	4/5-Sec Cluster 16" CTC Plumbizer	4/5-Sec Cluster 16.5" CTC Plumbizer	4/5-Sec Cluster 17" CTC Plumbizer	3-Sec Hawk 16" CTC Plumbizer	3-Sec Hawk 16.5" CTC Plumbizer	3-Sec Hawk 17" CTC Plumbizer
---------------------	--------	--------------	-----------	------------------------	------------------------	------------------------	-----------------------------------	-------------------------------------	-----------------------------------	------------------------------	--------------------------------	------------------------------

AeroFlex Dual Durometer PVC- BK-8XXX:

Universal	N/A	Alum/Poly	13-1/2"/14"	N/A	N/A	N/A	BK-8005-16	BK-8005-16.5	BK-8005-17	BK-8003-16	BK-8003-16.5	BK-8003-17
Peek/TCT	PeekTCT	Alum	13-1/2"	BK-8101-3	BK-8101-4							
Eagle SA	EagleSA	Poly	14"									
Eagle SG/Mark IV	EagleSG	Alum/Poly	13-1/2"	BK-8101-3	BK-8101-4	BK-8101-5	BK-8105-16	BK-8105-16.5	BK-8105-17	BK-8103-16	BK-8103-16.5	BK-8103-17
Econolite	Econolite	Alum/Poly	14"	BK-8101-3	BK-8101-4		BK-8105-16	BK-8105-16.5	BK-8105-17			
McCain	McCain	Alum/Poly	13-1/2"	BK-8101-3	BK-8101-4	BK-8101-5	BK-8105-16	BK-8105-16.5	BK-8105-17	BK-8103-16	BK-8103-16.5	BK-8103-17

Vacuum Formed ABS- BK-10XX:

Automatic	A	Poly	13-1/2"	BK-1013								
Peek/TCT	C	Alum	13-1/2"	BK-1013								
Eagle SA	E	Poly	14"	BK-1013								BK-1034
Eagle SG/Mark IV	F	Alum/Poly	13-1/2"									
Econolite	L3L4	Alum/Poly	14"									
McCain	N	Alum/Poly	13-1/2"	BK-1013								

Vacuum Formed Louvered ABS- BK-50XX:

Automatic	A	Poly	13-1/2"									
Peek/TCT	C	Alum	13-1/2"									
Eagle SA	E	Poly	14"									
Eagle SG/Mark IV	F	Alum/Poly	13-1/2"									
Econolite	L3L4	Alum/Poly	14"									
McCain	N	Alum/Poly	13-1/2"									

Split Vacuum Formed- ABS BK-40XX:

Automatic	A	Poly	13-1/2"									
Peek/TCT	C	Alum	13-1/2"									
Eagle SA	E	Poly	14"									
Eagle SG/Mark IV	F	Alum/Poly	13-1/2"									
Econolite	L3L4	Alum/Poly	14"									
McCain	N	Alum/Poly	13-1/2"									

Split Vacuum Formed Louvered ABS- BK-45XX:

Automatic	A	Poly	13-1/2"									
Peek/TCT	C	Alum	13-1/2"									
Eagle SA	E	Poly	14"									
Eagle SG/Mark IV	F	Alum/Poly	13-1/2"									
Econolite	L3L4	Alum/Poly	14"									
McCain	N	Alum/Poly	13-1/2"									

Notes:

1. Universal AeroFlex backplates will fit Peek, McCain, Mark IV, Econolite, Eagle SA, and North American signals.
2. The Universal AeroFlex backplate will not fit Eagle SG bubbleback signals.
3. Universal AeroFlex backplates for inline plumbizer mounts are not available.
4. BK-8005 & BK-8105 AeroFlex backplates can be configured for mounting 5-Sec Cluster, 4-Sec T, or 4-Sec Inverted T.

Note: 1. See pages T10-1 thru 8 for AeroFlex backplates.
2. See pages T10-9 thru 15 for Vacuum Formed backplates.



Combo Backplate Matrix

Signal Manufacturer	Suffix	Signal Mat'l	Signal Ht	2-3 Sec 16" CTC	2-3 Sec 16.5" CTC	12-12-8 Inline	12-8-8-8 Inline	12-12-8-8-8 Inline
AeroFlex Dual Durometer PVC- BK-8XXX:								
Universal	N/A	Alum/Poly	13-1/2"/14"	N/A	N/A	N/A	N/A	N/A
Peek/TCT	PeekTCT	Alum	13-1/2"	BK-8106-16	BK-8106-16.5			
Eagle SA	EagleSA	Poly	14"					
Eagle SG/Mark IV	EagleSA	Alum/Poly	13-1/2"					
Econolite	Econolite	Alum/Poly	14"					
McCain	McCain	Alum/Poly	13-1/2"	BK-8106-16				
Vacuum Formed ABS- BK-10XX:								
Automatic	A	Poly	13-1/2"					
Peek/TCT	C	Alum	13-1/2"					
Eagle SA	E	Poly	14"					BK-1014
Eagle SG/Mark IV	F	Alum/Poly	13-1/2"					
Econolite	L3L4	Alum/Poly	14"					
McCain	N	Alum/Poly	13-1/2"					
Vacuum Formed Louvered ABS- BK-50XX:								
Automatic	A	Poly	13-1/2"					
Peek/TCT	C	Alum	13-1/2"					
Eagle SA	E	Poly	14"					
Eagle SG/Mark IV	F	Alum/Poly	13-1/2"					
Econolite	L3L4	Alum/Poly	14"					
McCain	N	Alum/Poly	13-1/2"					
Split Vacuum Formed- ABS BK-40XX:								
Automatic	A	Poly	13-1/2"					
Peek/TCT	C	Alum	13-1/2"					
Eagle SA	E	Poly	14"					
Eagle SG/Mark IV	F	Alum/Poly	13-1/2"					
Econolite	L3L4	Alum/Poly	14"					
McCain	N	Alum/Poly	13-1/2"					
Split Vacuum Formed Louvered ABS- BK-45XX:								
Automatic	A	Poly	13-1/2"					
Peek/TCT	C	Alum	13-1/2"					
Eagle SA	E	Poly	14"					
Eagle SG/Mark IV	F	Alum/Poly	13-1/2"					
Econolite	L3L4	Alum/Poly	14"					
McCain	N	Alum/Poly	13-1/2"					

Notes:

1. Universal AeroFlex backplates are not available for combination signal configurations.

Note: 1. See pages T10-1 thru 8 for AeroFlex backplates.
2. See pages T10-9 thru 15 for Vacuum Formed backplates.



This page is intentionally left blank.



Pedestal Poles

Pelco offers aluminum, iron, and plastic bases in various sizes as well as poles in aluminum and steel. Pelco's cast aluminum square base is FHWA certified and meets or exceeds AASHTO break-away requirements. Plastic replacement doors offer an economical way to deter vandalism.



Pedestal Pole, 4" Sch 40, Spun Alum No Threads

PB-5101 - Length - Coating

PNC=Process No Color
P__=Paint

Pedestal Pole, 4"-8 NPT Sch 40, Spun Alum

PB-5100 - Length - Coating

PNC=Process No Color
P__=Paint

Pedestal Pole, 4"-8 NPT Sch 80, Spun Alum

PB-5102 - Length - Coating

PNC=Process No Color
P__=Paint

Pedestal Pole, 4"-8 NPT Sch 40, Steel

PB-5201 - Length - Coating

P__=Paint

Pedestal Pole, 4"-8 NPT Sch 40, Galv Steel

PB-5200 - Length - GLV - Coating

Blank=Galvanized Only
P__=Paint over Galvanized

Pedestal Pole, Welded, 4"-8 NPT w/ 5-1/2" Nipple, Steel

PB-5219 - Length - Coating

GLV=Galvanized
P__=Paint



No Threads



4"-8NPT TOE



Welded 4"-8NPT TOE

Note: 1. Standard poles are typically sold in 1 foot increments from 4' and above. For other lengths contact sales.
2. See Reference Section page v for available paint colors.



Pedestal Poles

Pelco offers aluminum, iron, and plastic bases in various sizes as well as poles in aluminum and steel. Pelco's cast aluminum square base is FHWA certified and meets or exceeds AASHTO break-away requirements. Plastic replacement doors offer an economical way to deter vandalism.



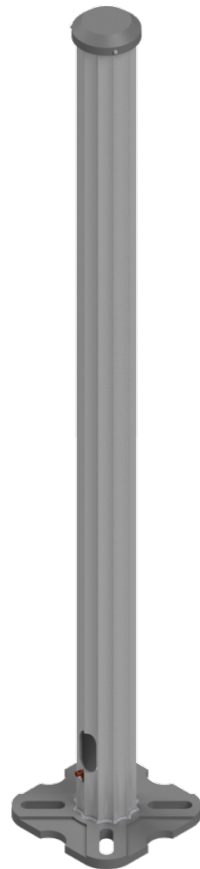
4"-8NPT
TBE

4"-8NPT
TBE

Pedestal Pole, 4"- 8 NPT Sch 40, Spun Alum Threaded Both Ends

PB-5107 - Length - Coating

PNC=Process No Color
P_ =Paint

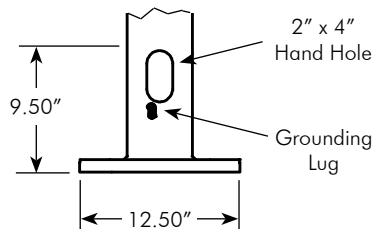


Pedestal Pole Assy, 4" Fluted, Alum 7.88"-13.00" Bolt Circle for 3/4" Anchor Bolts

PB-5235 - Length - Coating
10=10'-0"
12=12'-0"
13=13'-0"

PNC=Process No Color
P_ =Paint

Note:
Includes grounding lug & cap.



Note: 1. Standard poles are typically sold in 1 foot increments from 4' and above.
For other lengths contact sales.
2. See Reference Section page v for available paint colors.



Pedestal Poles

Pelco offers aluminum, iron, and plastic bases in various sizes for both low and high load applications, as well as poles in both aluminum and steel. Pelco's PB-5334 and PB-5335 cast aluminum square bases are FHWA certified and meets or exceeds AASHTO break-away requirements. Plastic replacement doors offer an economical way to deter vandalism.



Compact Base Assembly, Alum -5K Capacity w/ Alum Door

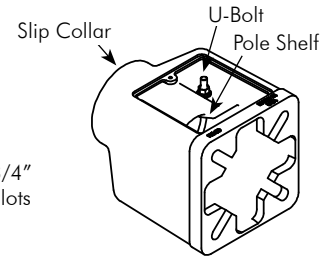
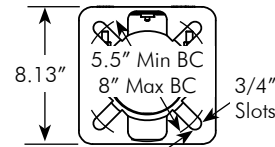
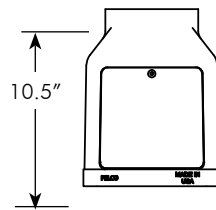
PB-5551 -

Coating

PNC=Process No Color

P_ =Paint

Note: When properly installed the square aluminum pedestal base will withstand a moment of 5,000 ft-lb at the bottom of the base.



Push Button Pole, 4" Pole w/ Square Compact Base, Alum

PB-5237 - - -

Pole

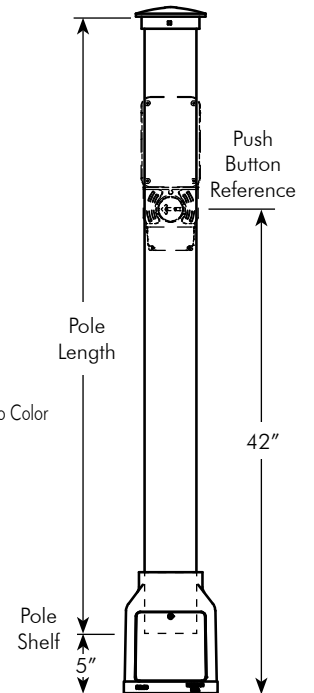
Length

Coating

SCH10=Sch 10
SCH40=Sch 40

5=5'-0"

PNC=Process No Color
P_ =Paint



- Note: 1. Standard poles is 5' foot. Additional lengths must be approved by engineering.
2. See Section T8 for available push buttons.
3. See Reference Section page v for available paint colors.



Square Pedestal Bases Aluminum

Pelco offers aluminum, iron, and plastic bases in various sizes for both low and high load applications, as well as poles in both aluminum and steel. Pelco's PB-5334 and PB-5335 cast aluminum square bases are FHWA certified and meets or exceeds AASHTO break-away requirements. Plastic replacement doors offer an economical way to deter vandalism.



Square Base Assembly, Alum -10K Capacity w/ Alum Door

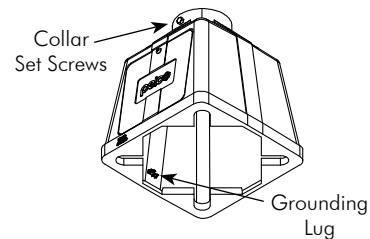
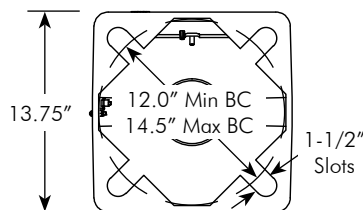
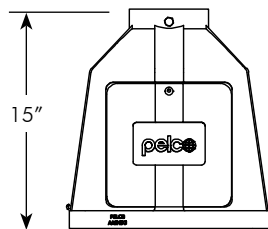


PB-5553	-	Door	-	Set Screws in Collar	-	Grounding Lug	-	Coating
		<input type="checkbox"/>		<input type="checkbox"/>		<input type="checkbox"/>		<input type="checkbox"/>
		NL=No Logo Blank=Pelco Logo		1S=1 Hex Bolt 3S=3 Set Screws Blank=None		GL=Ground Lug Blank=None		PNC=Process No Color P__=Paint

Square Base Assembly, Alum -10K Capacity w/ Plastic Door

PB-5554	-	Door	-	Set Screws in Collar	-	Grounding Lug	-	PNC
		<input type="checkbox"/>		<input type="checkbox"/>		<input type="checkbox"/>		
		NL=No Logo Blank=Pelco Logo		1S=1 Hex Bolt 3S=3 Set Screws Blank=None		GL=Ground Lug Blank=None		

Note: When properly installed the square aluminum pedestal base will withstand a moment of 10,000 ft-lb at the bottom of the base.



Note: 1. All assemblies are supplied standard with stainless fasteners.
2. See Reference Section page v for available paint colors.



Square Pedestal Bases Aluminum

Pelco offers aluminum, iron, and plastic bases in various sizes for both low and high load applications, as well as poles in both aluminum and steel. Pelco's PB-5334 and PB-5335 cast aluminum square bases are FHWA certified and meets or exceeds AASHTO break-away requirements. Plastic replacement doors offer an economical way to deter vandalism.



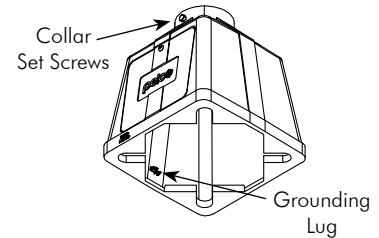
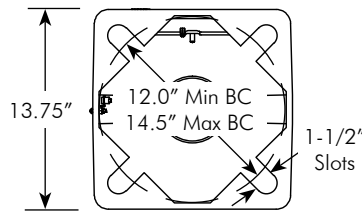
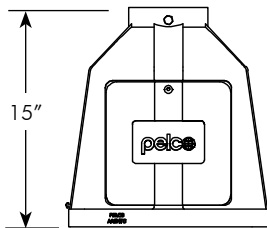
Square Base Assembly, Alum -12K Capacity w/ Alum Door

	Door	-	Set Screws in Collar	-	Grounding Lug	-	Coating	
PB-5334	-	<input type="checkbox"/>	-	<input type="checkbox"/>	-	<input type="checkbox"/>	-	<input type="checkbox"/>
	NL=No Logo Blank=Pelco Logo		1S=1 Hex Bolt 3S=3 Set Screws Blank=None		GL=Ground Lug Blank=None		PNC=Process No Color P__=Paint	

Square Base Assembly, Alum -12K Capacity w/ Plastic Door

	Door	-	Set Screws in Collar	-	Grounding Lug	-	PNC	
PB-5335	-	<input type="checkbox"/>	-	<input type="checkbox"/>	-	<input type="checkbox"/>	-	PNC
	NL=No Logo Blank=Pelco Logo		1S=1 Hex Bolt 3S=3 Set Screws Blank=None		GL=Ground Lug Blank=None			

Note: When properly installed the square aluminum pedestal base will withstand a moment of 12,000 ft-lb at the bottom of the base.



- Note: 1. PB-5334 and PB-5335 aluminum square bases above are available with AASHTO certifications and FHWA approval.
 2. All assemblies are supplied standard with stainless fasteners.
 3. See Reference Section page v for available paint colors.



Square Pedestal Bases Aluminum

Pelco offers aluminum, iron, and plastic bases in various sizes for both low and high load applications, as well as poles in both aluminum and steel. Pelco's PB-5334 and PB-5335 cast aluminum square bases are FHWA certified and meets or exceeds AASHTO break-away requirements. Plastic replacement doors offer an economical way to deter vandalism.



Square Base Assembly, Alum -15K Capacity Heat Treated w/ Alum Door



PB-5336	-	Door	-	Set Screws in Collar	-	Grounding Lug	-	Coating
		<input type="checkbox"/>		<input type="checkbox"/>		<input type="checkbox"/>		<input type="checkbox"/>
		NL=No Logo Blank=Pelco Logo		1S=1 Hex Bolt 3S=3 Set Screws Blank=None		GL=Ground Lug Blank=None		PNC=Process No Color P__=Paint

Square Base Assembly, Alum -15K Capacity Heat Treated w/ Plastic Door

PB-5337	-	Door	-	Set Screws in Collar	-	Grounding Lug	-	PNC
		<input type="checkbox"/>		<input type="checkbox"/>		<input type="checkbox"/>		
		NL=No Logo Blank=Pelco Logo		1S=1 Hex Bolt 3S=3 Set Screws Blank=None		GL=Ground Lug Blank=None		

Note: When properly installed the square aluminum pedestal base will withstand a moment of 15,000 ft-lb at the bottom of the base.

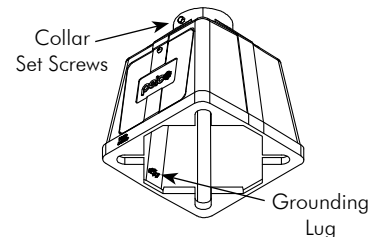
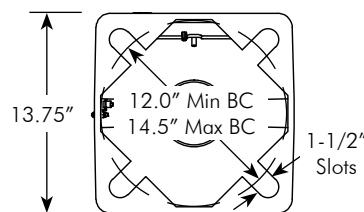
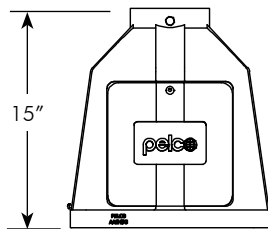
Square Base Assembly, Alum Steel Coupling w/ Alum Door



PB-5340	-	Door	-	Set Screws in Collar	-	Grounding Lug	-	Coating
		<input type="checkbox"/>		<input type="checkbox"/>		<input type="checkbox"/>		<input type="checkbox"/>
		NL=No Logo Blank=Pelco Logo		1S=1 Hex Bolt 3S=3 Set Screws Blank=None		GL=Ground Lug Blank=None		PNC=Process No Color P__=Paint

Square Base Assembly, Alum Steel Coupling w/ Plastic Door

PB-5341	-	Door	-	Set Screws in Collar	-	Grounding Lug	-	PNC
		<input type="checkbox"/>		<input type="checkbox"/>		<input type="checkbox"/>		
		NL=No Logo Blank=Pelco Logo		1S=1 Hex Bolt 3S=3 Set Screws Blank=None		GL=Ground Lug Blank=None		



Note: 1. All assemblies are supplied standard with stainless fasteners.
2. See Reference Section page v for available paint colors.



Square Pedestal Bases Aluminum

Pelco offers aluminum, iron, and plastic bases in various sizes for both low and high load applications, as well as poles in both aluminum and steel. Pelco's PB-5334 and PB-5335 cast aluminum square bases are FHWA certified and meets or exceeds AASHTO break-away requirements. Plastic replacement doors offer an economical way to deter vandalism.



Square Base Assembly, Alum Slip Fit w/ Alum Door

PB-5338 - Door - Grounding Lug - Coating

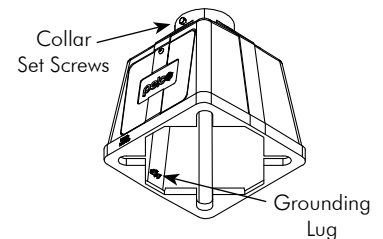
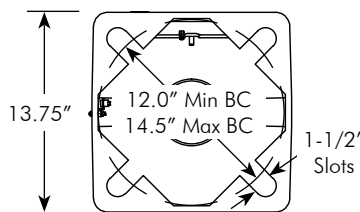
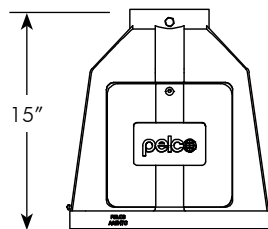
NL=No Logo GL=Ground Lug PNC=Process No Color
Blank=Pelco Logo Blank=None P__=Paint

Square Base Assembly, Alum Slip Fit w/ Plastic Door

PB-5339 - Door - Grounding Lug - PNC

NL=No Logo GL=Ground Lug
Blank=Pelco Logo Blank=None

Note:
Pole must be welded to base in the field.

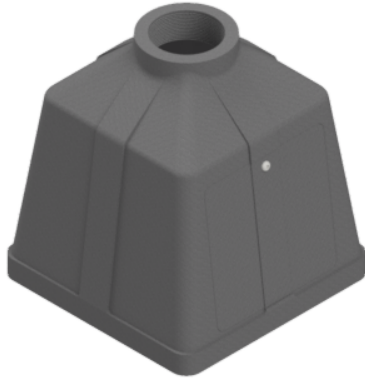


Note: 1. All assemblies are supplied standard with stainless fasteners.
2. See Reference Section v page for available paint colors.



Square Pedestal Bases Iron

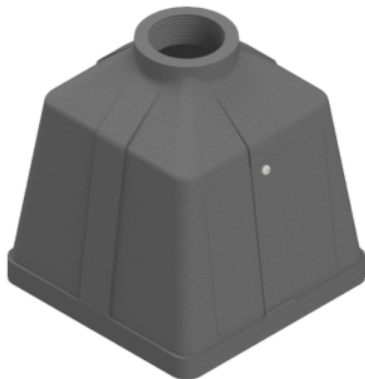
Pelco offers aluminum, iron, and plastic bases in various sizes for both low and high load applications, as well as poles in both aluminum and steel. Pelco's PB-5334 and PB-5335 cast aluminum square bases are FHWA certified and meets or exceeds AASHTO break-away requirements. Plastic replacement doors offer an economical way to deter vandalism.



Square Base Assembly, Iron w/ Iron Door

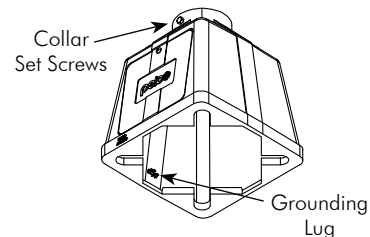
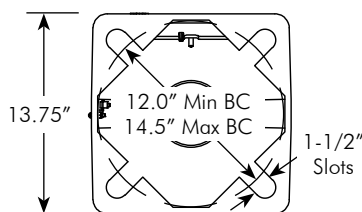
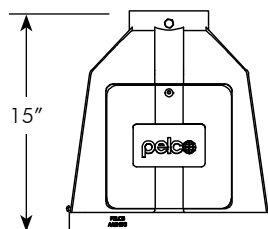
	Set Screws in Collar	Grounding Lug	Coating
PB-5308	- <input type="checkbox"/>	- <input type="checkbox"/>	- <input type="checkbox"/>
	1S=1 Hex Bolt 3S=3 Set Screws Blank=None	GL=Grounding Lug Blank=None	GLV=Galvanized P__=Paint

Square Base Assembly, Iron w/ Iron Door



	Set Screws in Collar	Grounding Lug	Coating
PB-5511	- <input type="checkbox"/>	- <input type="checkbox"/>	- <input type="checkbox"/>
	1S=1 Hex Bolt 3S=3 Set Screws Blank=None	GL=Grounding Lug Blank=None	GLV=Galvanized P__=Paint

Note:
"Buy American" Certification available upon request at time of order.

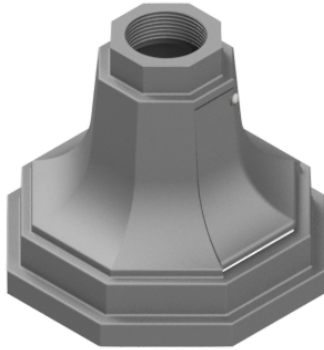


Note: 1. All assemblies are supplied standard with stainless fasteners.
2. See Reference Section v page for available paint colors.



Octagonal Pedestal Bases Aluminum

Pelco offers aluminum, iron, and plastic bases in various sizes as well as poles in aluminum and steel. Pelco's PB-5334 and PB-5335 cast aluminum square bases are FHWA certified and meets or exceeds AASHTO break-away requirements. Plastic replacement doors offer an economical way to deter vandalism.



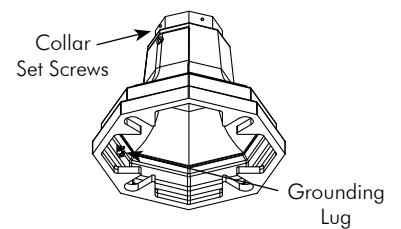
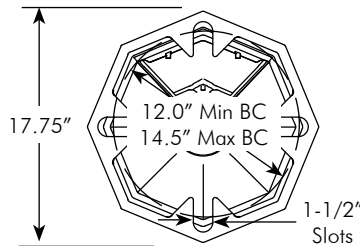
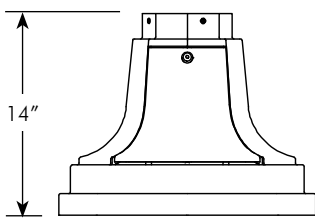
Octagonal Base Assembly, Alum w/ Alum Door

PB-5349	-	<input type="checkbox"/>	-	<input type="checkbox"/>	-	<input type="checkbox"/>
		1S=1 Hex Bolt 4S=4 Set Screws Blank=None		GL=Grounding Lug Blank=None		PNC=Process No Color P__=Paint



Octagonal Base Assembly, Alum Slip Fit w/ Alum Door

PB-5350	-	<input type="checkbox"/>	-	<input type="checkbox"/>
		GL=Grounding Lug Blank=None		PNC=Process No Color P__=Paint



Note: 1. All assemblies are supplied standard with stainless fasteners.
2. See Reference Section v page for available paint colors.

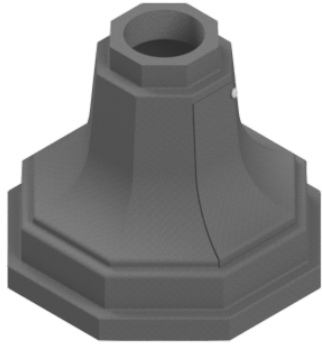


Octagonal Pedestal Bases Iron

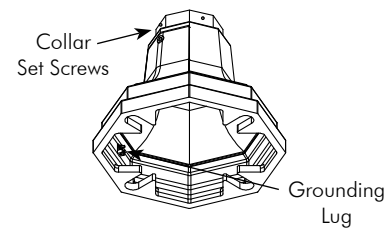
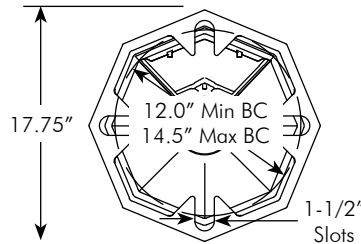
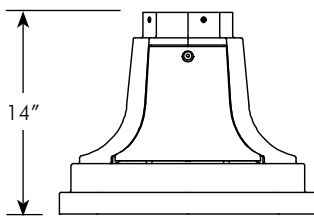
Pelco offers aluminum, iron, and plastic bases in various sizes as well as poles in aluminum and steel. Pelco's PB-5334 and PB-5335 cast aluminum square bases are FHWA certified and meets or exceeds AASHTO break-away requirements. Plastic replacement doors offer an economical way to deter vandalism.



Octagonal Base Assembly, Iron w/ Iron Door



PB-5310	-	<input type="checkbox"/>	-	<input type="checkbox"/>	-	<input type="checkbox"/>
		1S=1 Hex Bolt 4S=4 Set Screws Blank=None		GL=Grounding Lug Blank=None		GLV=Galvanized P__=Paint



Note: 1. All assemblies are supplied standard with stainless fasteners.
2. See Reference Section v page for available paint colors.



Pedestal Bases

Pelco offers aluminum, iron, and plastic bases in various sizes as well as poles in aluminum and steel. Pelco's PB-5334 and PB-5335 cast aluminum square bases are FHWA certified and meets or exceeds AASHTO break-away requirements. Plastic replacement doors offer an economical way to deter vandalism.



2-Piece Base for 4-1/2" OD Pole, Plastic

PB-5303-PNC

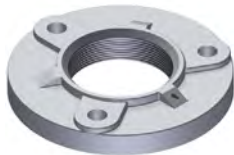
Note:
High Density Crosslinkable Polyethylene Pedestal Pole Base.
Complete with all hardware. No anchor bolts required.



2-Piece Reducer, Alum

PB-5328-PNC

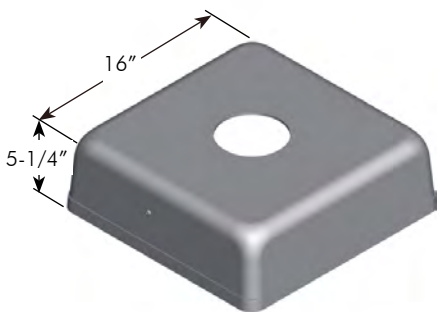
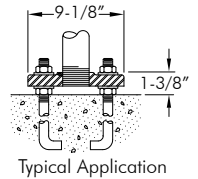
Note:
2-Piece Aluminum Reducer for PB-5303-PNC Base. (Reduces 4-1/2" OD to 3-1/2" OD)



Flange Base, 4"-8NPT, Galv Iron

PB-5304-GLV

Note:
Three 13/16" mounting holes on 7-1/4" bolt circle.



2-Piece Square Cover, Alum

PB-5399 - Pole Diameter - Coating
 4.5=4.5" OD PNC=Process No Color
 8=8" OD P__=Paint

Note:
For 4-1/2" - 8" OD Pole (15" Max. Bottom Opening). Complete with all hardware.

Note: 1. All assemblies are supplied standard with stainless fasteners.
 2. See Reference Section v page for available paint colors.

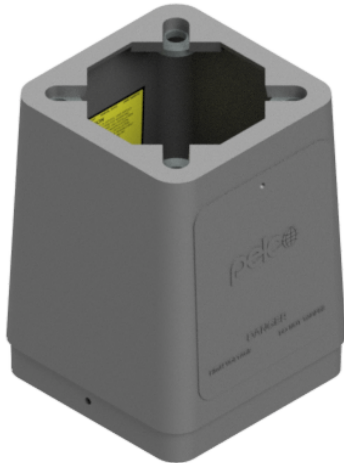


Transformer Bases

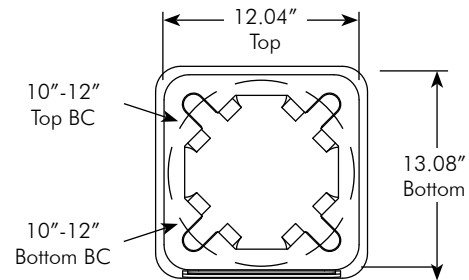
Pelco's Transformer bases stand 17" tall and comes complete with an aluminum Pelco door, latch, and 8 heavy duty galvanized steel washers. A hardware kit for mounting base plate to top of base is optional.



Transformer Base , TB2-17, Alum w/ Pelco Door & Galvanized Washers



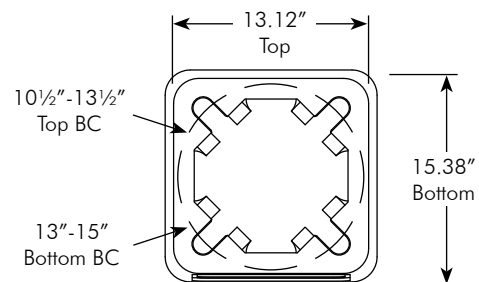
PB-5514 - -
 Hardware Kit Coating
 Blank=None PNC=Process No Color
 HK=Hardware Kit P__=Paint



Transformer Base , TB1-17, Alum w/ Pelco Door & Galvanized Washers



PB-5517 - -
 Hardware Kit Coating
 Blank=None PNC=Process No Color
 HK=Hardware Kit P__=Paint



Note: 1. Hardware kits are galvanized steel.
 2. See Reference Section v page for available paint colors.



Transformer Bases

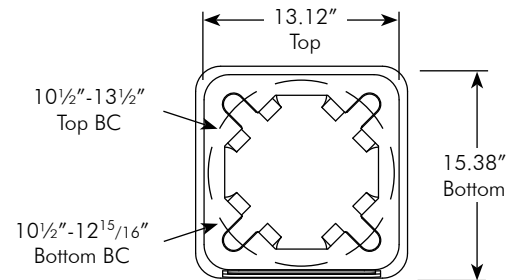
Pelco's Transformer bases stand 17" tall and comes complete with an aluminum Pelco door, latch, and 8 heavy duty galvanized steel washers. A hardware kit for mounting base plate to top of base is optional.



Transformer Base , TB1-17 Modified, Alum w/ Pelco Door & Galvanized Washers



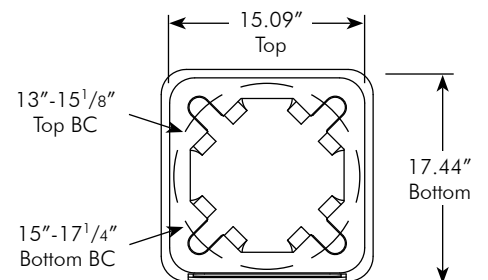
PB-5538 - -
 Hardware Kit Coating
 Blank=None PNC=Process No Color
 HK=Hardware Kit P__=Paint



Transformer Base , TB3-17, Alum w/ Pelco Door & Galvanized Washers



PB-5555 - -
 Hardware Kit Coating
 Blank=None PNC=Process No Color
 HK=Hardware Kit P__=Paint



Note: 1. Hardware kits are galvanized steel.
 2. See Reference Section v page for available paint colors.



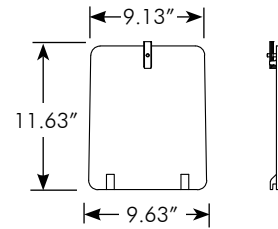
Transformer Bases

Pelco's Transformer bases stand 17" tall and comes complete with an aluminum Pelco door, latch, and 8 heavy duty galvanized steel washers. An aluminum door and hardware kit for mounting base plate to top of base can be ordered separately.



Door w/ Latch, Transformer Base, Alum For TB1-17, TB2-17, & TB3-17 Base

PB-0686- Coating
PNC=Process No Color
P_ =Paint



Note:
For plastic replacement door see PB-0522-16 on page T11-24.
For aluminum theft deterrant doors see PB-5520 on page T13-7.



Hardware Kit , Transformer Base 1"-8NC x 4", Set of 4, Galvanized

PB-5437-GLV

Note:
For mounting base plates to the top of Transformer Bases.
Includes 4 Hex Head Bolts, 8 Washers, 4 Lock Washers, and 4 Hex Nuts.

Note: 1. All assemblies are supplied standard with stainless fasteners.
2. See Reference Section v page for available paint colors.



Pole & Arm Caps

Pelco offers pole and arm caps in various sizes in both aluminum and steel. Caps for 4-1/2" OD posts are available in aluminum and ABS plastic.



Pole Cap, Acorn Type, Alum



Diameter Range:	Part No:
3"	PB-5403 - <input type="text"/> <small>Coating</small>
3-1/2"	PB-5407 - <input type="text"/>
4-1/2"	PB-5401 - <input type="text"/>

PNC=Process No Color
P_ =Paint



Pole Cap, Dome Type, Alum, 4-1/2" OD Pole

PB-5402 - Coating

PNC=Process No Color
P_ =Paint

Note: 1. All assemblies are supplied standard with stainless fasteners.
2. See Reference Section v page for available paint colors.

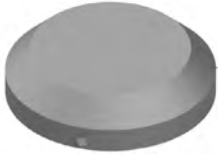


Pole & Arm Caps

Pelco offers pole and arm caps in various sizes in both aluminum and steel. Caps for 4-1/2" OD posts are available in aluminum and ABS plastic.



Pole & Arm Cap, Alum



Diameter Range:	Part No:
2-5/16" to 3-1/2"	AP-0101 - <input type="text"/> <small>Coating</small>
3" to 4"	AP-0102 - <input type="text"/>
4-3/16" to 5-3/16"	AP-0103 - <input type="text"/>
5-3/16" to 6-3/16"	AP-0104 - <input type="text"/>
6-1/8" to 7-1/8"	AP-0105 - <input type="text"/>
7-3/16" to 8-1/4"	AP-0106 - <input type="text"/>
8-3/16" to 9-3/16"	AP-0107 - <input type="text"/>
9-7/16" to 10-7/16"	AP-0108 - <input type="text"/>

PNC=Process No Color
P__=Paint

Pole & Arm Cap, Alum



Diameter Range:	Part No:
10-11/16" to 11-11/16"	AP-0109 - <input type="text"/> <small>Coating</small>
11-7/8" to 12-11/16"	AP-0110 - <input type="text"/>

PNC=Process No Color
P__=Paint

Note: 1. All assemblies are supplied standard with stainless fasteners.
2. See Reference Section v page for available paint colors.

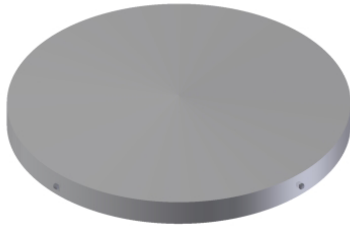


Pole & Arm Caps

Pelco offers pole and arm caps in various sizes in both aluminum and steel. Caps for 4-1/2" OD posts are available in aluminum and ABS plastic.



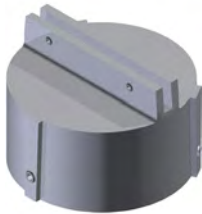
Pole Cap, Steel



AP-0450 - -
Pole Diameter See Table Coating P__=Paint

Pole Dia.	Diameter Range
13.25	12.57"-13.38" OD
14.25	13.39"-14.38" OD
15.25	14.39"-15.38" OD
16.25	15.39"-16.38" OD
17.25	16.39"-17.38" OD
18.25	17.39"-18.38" OD
19.25	18.39"-19.38" OD
20.25	19.39"-20.38" OD
21.25	20.39"-21.38" OD
22.25	21.39"-22.38" OD
23.25	22.39"-23.38" OD
24.25	23.39"-24.38" OD

Post Cap for Sign Blade, Alum



Diameter Range:	Sign Blade	Part No:
4-1/2" OD	Extruded	SH-1608 - <input type="text"/> <small>Coating</small>
4-1/2" OD	Flat	SH-1615 - <input type="text"/>

PNC=Process No Color
P__=Paint

Pole Cap, ABS Plastic



Diameter Range:	Part No:
Up to 4" OD	AP-0805-PNC
Up to 5" OD	AP-0806-PNC

Note: 1. All assemblies are supplied standard with stainless fasteners.
2. See Reference Section v page for available paint colors.



Collars & Adapters

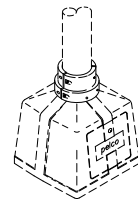
Pole and base collar assemblies, for both square and octagonal bases, are available in highwind areas to add strength and help prevent loosening of connection.



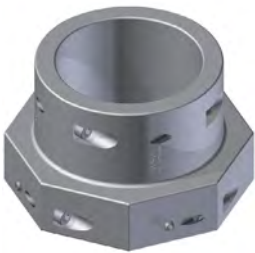
Pole & Base Collar Assembly, Alum Square Base



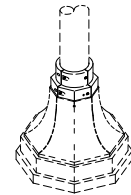
PB-5325 - Coating
PNC=Process No Color
P__=Paint



Pole & Base Collar Assembly, Alum Octagonal Base



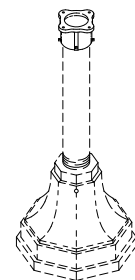
PB-5326 - Coating
PNC=Process No Color
P__=Paint



Pedestal Adapter, 4" (4-1/2" OD Pole), Alum 6-1/2" Bolt Circle



SE-3104 - Coating
PNC=Process No Color
P__=Paint

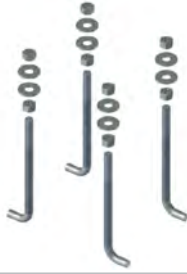


Note: 1. All assemblies are supplied standard with stainless steel fasteners.
2. See Reference Section v page for available paint colors.



Anchor Bolt Sets

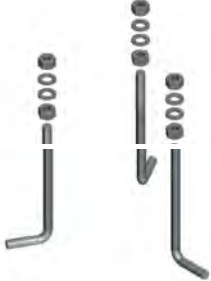
Pelco's galvanized anchor bolt sets are available in a variety of sizes.



Anchor Bolt Set of 4 w/ Hardware 1/2"-13NC x 7-1/2", Galv

AP-1046-GLV

Note: Includes 4 Bolts, 8 Washers, and 8 Nuts.



Anchor Bolt Set of 3 w/Hardware 3/4"-10NC x 18", Galv

PB-5305-GLV

Note: Includes 3 Bolts, 6 Washers and 6 Nuts.



Anchor Bolt Set of 4 w/ Hardware 3/4"-10NC x 18", Galv

PB-5306-GLV

Note: Includes 4 each: Bolts, Washers and Nuts.

PB-5518-GLV

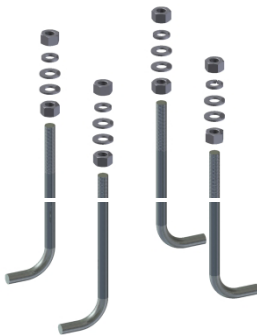
Note: Includes 4 Bolts, 8 Washers and 8 Nuts.



Anchor Bolt Set of 4 w/ Plate Washers 3/4"-10NC x 18", Galv

PB-5371-GLV

Includes 4 Bolts, 4 Plate Washers, 4 Washers, and 4 Nuts.



Anchor Bolt Set of 4 w/ Hardware 1"-8NC x 36", Galv

AP-1007- -GLV

Template

- 1=12" Bolt Circle
- 2=12.75" Bolt Circle
- 3=11" Bolt Circle

Includes 4 Bolts, 4 Lock Washers, 8 Washers, and 8 Nuts.

Note: 1. All assemblies are supplied standard with galvanized fasteners.

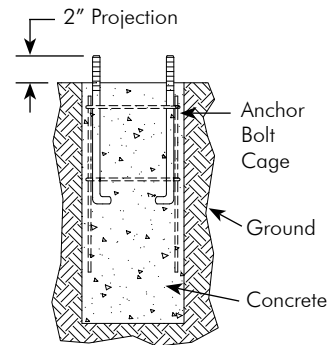
Anchor Bolt Cages

Anchor bolt cages allow the critical bolt circle dimensions to be maintained when the steel is cast into the concrete. These cages may be used instead of anchor bolt sets.



Anchor Bolt Cage, Galv 1/2"-13NC x 7-1/2" w/ 36" Rebar 5-1/2" Bolt Circle

AP-1049-GLV

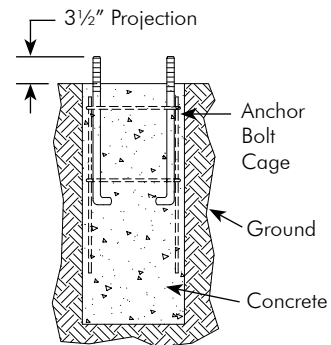


Typical Footing Detail



Anchor Bolt Cage, Galv 3/4"-10NC x 18" w/ 36" Rebar 8-1/2" Bolt Circle

AP-1089-GLV

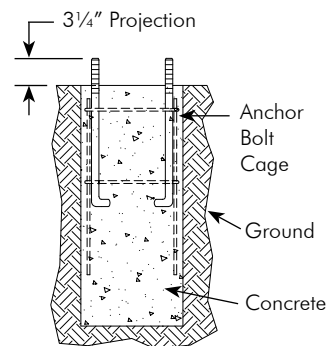


Typical Footing Detail



Anchor Bolt Cage, Galv 3/4"-10NC x 18" w/ 36" Rebar 13" Bolt Circle

AP-1095-GLV



Typical Footing Detail

Note: 1. All assemblies are supplied standard with galvanized fasteners.
2. Footing to be determined by end user.



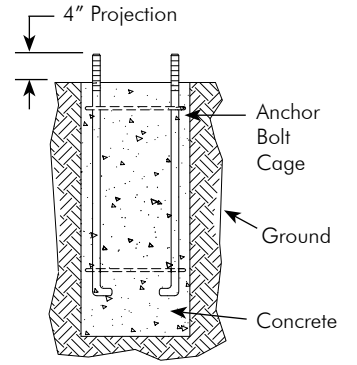
Anchor Bolt Cages

Anchor bolt cages allow the critical bolt circle dimensions to be maintained when the steel is cast into the concrete. These cages may be used instead of anchor bolt sets.



Anchor Bolt Cage, Galv
1"-8NC x 36"
15" Bolt Circle

AP-3136-GLV

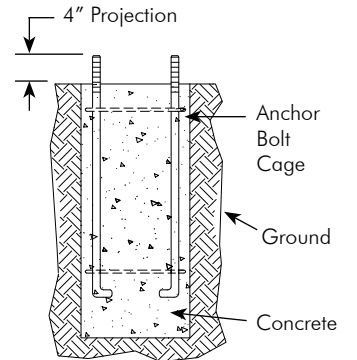


Typical Footing Detail



Anchor Bolt Cage, Galv
1"-8NC x 36"
11" Bolt Circle,

AP-3129-GLV



Typical Footing Detail

Note: 1. All assemblies are supplied standard with galvanized fasteners.
2. Footing to be determined by end user.

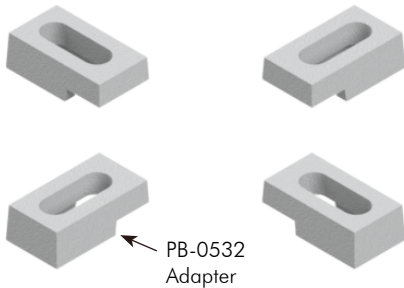
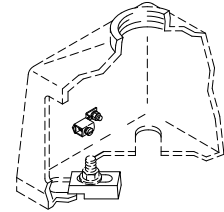


Pole & Base Accessories

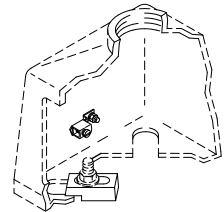
Pelco offers various accessories for pedestal bases from grounding lugs to plastic hand hole covers.



PB-5323-PNC **Grounding Lug w/ Mounting Hardware**



PB-5446-PNC **Anchor Bolt Adapter, Set of 4, Alum**

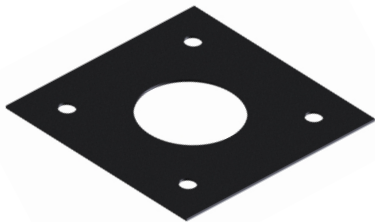


Note: Reduces minimum bolt circle on square pedestal base from 12" to 8-1/8" BC.



PB-0602-GLV **Shim, 1/16" x 2" x 2", Steel, Galv**

PB-0603-GLV **Shim, 1/8" x 2" x 2", Steel, Galv**



PB-0550-PNC **Template, ABS Plastic 13" Bolt Circle for Square and Octagonal Bases**



PB-5356-PNC **Universal Hand Hole Cover, ABS Plastic fits 2-3/4" x 4-1/2" to 5" x 8"**

Note: 1. All assemblies are supplied standard with galvanized fasteners.



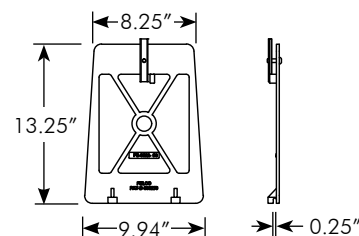
Plastic Replacement Doors

Plastic replacement doors for lighting pole bases are fabricated from tough hi-density UV inhibited plastic which offers excellent impact resistance. They give the appearance of aluminum, never require paint, and are a significant deterrent to vandalism since they have no scrap value. Pelco's doors withstand temperature extremes of -78° to +150° fahrenheit.



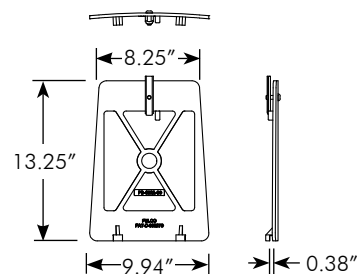
Door Assy, Plastic Flat w/ Latch on Top

PB-0522-08-PNC



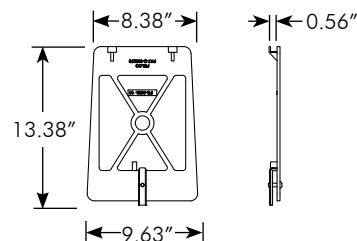
Door Assy, Plastic Curved w/ Latch on Top

PB-0522-09-PNC



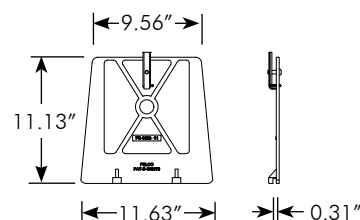
Door Assy, Plastic Flat w/ Latch on Bottom

PB-0522-10-PNC



Door Assy, Plastic Flat Short w/ Latch on Top

PB-0522-11-PNC



Note: 1. All assemblies are supplied standard with stainless steel fasteners.

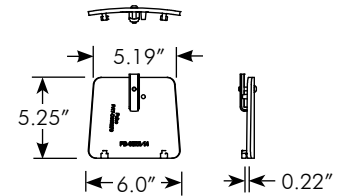
Plastic Replacement Doors

Plastic replacement doors for lighting pole bases are fabricated from tough hi-density UV inhibited plastic which offers excellent impact resistance. They give the appearance of aluminum, never require paint, and are a significant deterrent to vandalism since they have no scrap value. Pelco's doors withstand temperature extremes of -78° to +150° fahrenheit.



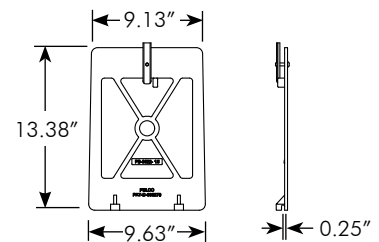
Door Assy, Plastic Curved Small w/ Latch on Top

PB-0522-14-PNC



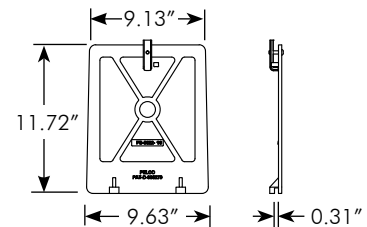
Door Assy, Plastic Flat w/ Latch on Top

PB-0522-15-PNC



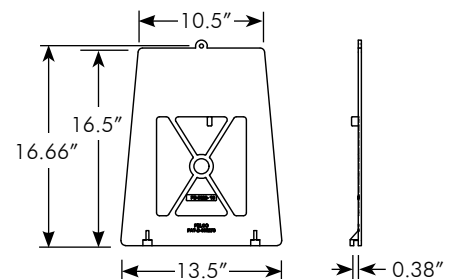
Door Assy, Plastic Flat Short w/ Latch on Top

PB-0522-16-PNC



Door Assy, Plastic Flat Short w/ Tab on Top, No Latch

PB-0522-19-PNC



Note: 1. All assemblies are supplied standard with stainless steel fasteners.



Ornamental Pole Top & Bases

Pelco's decorative pole top and bases make the traffic signal aesthetically pleasing to the eye. In addition to the standar 4-piece, Pelco also manufactures the bases with an easy access door. Available for various pole diameters and with multiple finish options.



Ornamental Pole Top, Cast Alum, 5-1/4" - 24-1/4" Diameter Pole (36" in Height)

PB-5315	Cap Size	-	Trim Color	-	Coating
	<input type="text"/>	-	<input type="text"/>	-	<input type="text"/>
	5.25 thru 24.25		T__=Paint		PNC=Process No Color P__=Paint

Note:
Cap Size available in 1" increments.

Ornamental Pole Base, 4-Piece Cast Alum

8" - 12" Diameter Pole (27" Footprint)

PB-5354	Pole Diameter	-	Trim Color	-	Coating
	<input type="text"/>	-	<input type="text"/>	-	<input type="text"/>
	8.00 thru 12.00		T__=Paint		PNC=Process No Color P__=Paint

12" - 15" Diameter Pole (30" Footprint)

PB-5355	Pole Diameter	-	Trim Color	-	Coating
	<input type="text"/>	-	<input type="text"/>	-	<input type="text"/>
	12.00 thru 15.00		T__=Paint		PNC=Process No Color P__=Paint

10" - 25" Diameter Pole (40" Footprint)

PB-5381	Pole Diameter	-	Trim Color	-	Coating
	<input type="text"/>	-	<input type="text"/>	-	<input type="text"/>
	10.00 thru 25.00		T__=Paint		PNC=Process No Color P__=Paint

Note: 1. All assemblies are supplied standard with stainless fasteners.
2. See Reference Section page v for available paint colors.

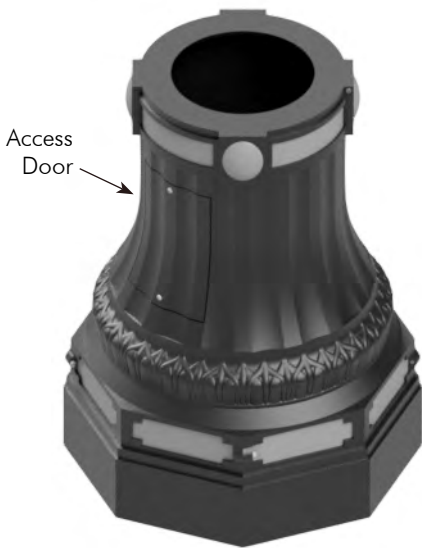


Ornamental Pole Top & Bases

Pelco's decorative pole top and bases make the traffic signal aesthetically pleasing to the eye. In addition to the standard 4-piece, Pelco also manufactures the bases with an easy access door. Available for various pole diameters and with multiple finish options.



Ornamental Pole Base, 4-Piece Cast Alum w/ Access Door



8" - 12" Diameter Pole (27" Footprint)

	Pole Diameter	Trim Color	Coating
PB-5509	- <input type="text"/> - 8.00 thru 12.00	- <input type="text"/> - T__=Paint	- <input type="text"/> - PNC=Process No Color P__=Paint

12" - 15" Diameter Pole (30" Footprint)

	Pole Diameter	Trim Color	Coating
PB-5510	- <input type="text"/> - 12.00 thru 15.00	- <input type="text"/> - T__=Paint	- <input type="text"/> - PNC=Process No Color P__=Paint

10" - 25" Diameter Pole (40" Footprint)

	Pole Diameter	Trim Color	Coating
PB-5519	- <input type="text"/> - 10.00 thru 25.00	- <input type="text"/> - T__=Paint	- <input type="text"/> - PNC=Process No Color P__=Paint

Note: 1. All assemblies are supplied standard with stainless fasteners.
2. See Reference Section page v for available paint colors.

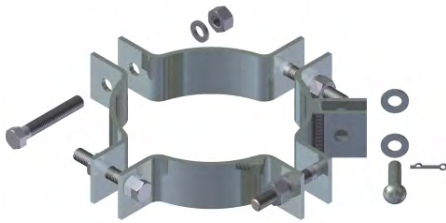


Pole & Arm Clamps

Pelco's strain pole clamps are available in various sizes and configurations from 1-way to 4-way. All clamps are hot dip galvanized per ASTM A123.



MAST ARMS & POLES



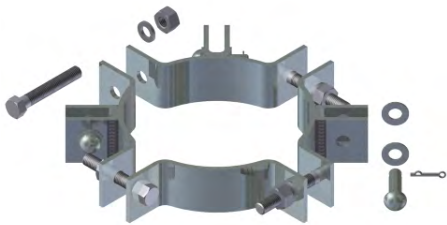
Strain Pole Clamp Assy, 1-Way, Steel

Diameter Range:	5-1/2" to 7-1/2"	7-1/2" to 10-1/2"	10-1/2" to 13-1/2"	13-1/2" to 16-1/2"
Part No.:	AP-1052-GLV	AP-1003-GLV	AP-1051-GLV	AP-1151-GLV



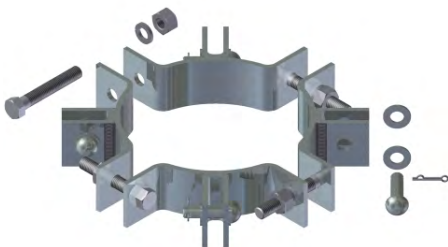
Strain Pole Clamp Assy, 2-Way, Steel

Diameter Range:	5-1/2" to 7-1/2"	7-1/2" to 10-1/2"	10-1/2" to 13-1/2"	13-1/2" to 16-1/2"
Part No.:	AP-1115-GLV	AP-1004-GLV	AP-1113-GLV	AP-1152-GLV



Strain Pole Clamp Assy, 3-Way, Steel

Diameter Range:	5-1/2" to 7-1/2"	7-1/2" to 10-1/2"	10-1/2" to 13-1/2"	13-1/2" to 16-1/2"
Part No.:	-	AP-1005-GLV	-	-



Strain Pole Clamp Assy, 4-Way, Steel

Diameter Range:	5-1/2" to 7-1/2"	7-1/2" to 10-1/2"	10-1/2" to 13-1/2"	13-1/2" to 16-1/2"
Part No.:	AP-1114-GLV	AP-1006-GLV	-	AP-1154-GLV

Note: All assemblies are supplied standard with galvanized fasteners.



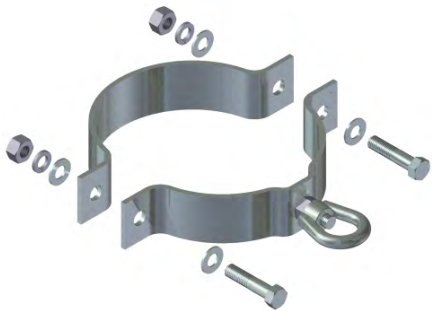
Pole & Arm Clamps

Pelco's strain pole clamps are available in various sizes and configurations from 1-way to 4-way. All clamps are hot dip galvanized per ASTM A123.



Strain Pole Clamp Assy, 1-Way 2-Piece w/ Eyelet, Steel

Diameter Range:	7-1/2" to 8-1/4"	8-1/4" to 8-3/4"	9" to 10"	10" to 11"	10-3/4" to 11-3/4"	12" to 13"
Part No.:	AP-1053-GLV	AP-1054-GLV	AP-1055-GLV	AP-1056-GLV	AP-1072-GLV	AP-1057-GLV



Strain Pole Clamp Assy, 2-Way 2-Piece w/ Eyelet, Steel

Diameter Range:	7-1/2" to 8-1/4"	8-1/4" to 8-3/4"	9" to 10"	10" to 11"	10-3/4" to 11-3/4"	12" to 13"
Part No.:	AP-1122-GLV	AP-1123-GLV	-	-	-	-

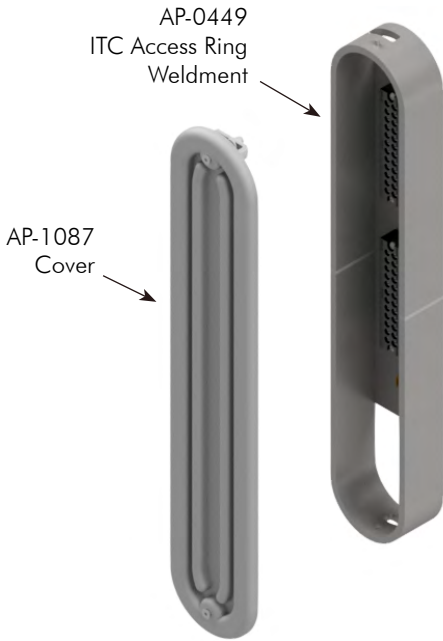


Note: All assemblies are supplied standard with galvanized fasteners.



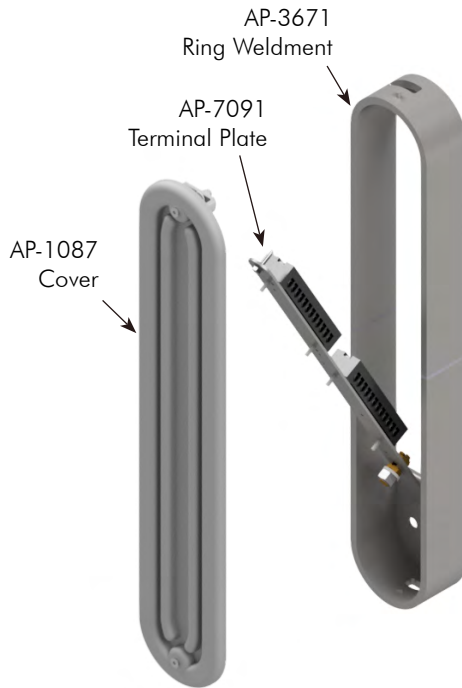
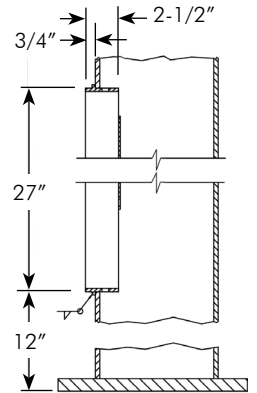
ITC Access Compartments

Pelco's ITC, Integral Terminal Compartment and Hand Hole, is an industry standard that has a low profile and unobstructed opening. The fold-out terminal plate provides for easier wiring access. Available with three terminal block options.



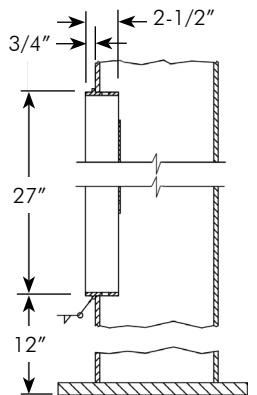
ITC Access Compartment w/ Door 3/8" x 4-3/4" x 27" w/ 12 Circuit

AP-1083	-	Terminal Block	-	Double Fuse Block	-	Coating
		85A=Compression 65A=Compression 30A=Barrier Strip		Blank=None 3AF=3 Amp Fuse 10F=10 Amp Fuse		PNC=Process No Color P__=Paint



ITC Access Compartment w/ Door Fold out Terminals 3/8" x 4-3/4" x 27" w/ 12 Circuit

AP-1125	-	Terminal Block	-	Double Fuse Block	-	Coating
		85A=Compression 65A=Compression 30A=Barrier Strip		Blank=None 3AF=3 Amp Fuse 10F=10 Amp Fuse		PNC=Process No Color P__=Paint



Note: 1. All assemblies are supplied standard with stainless steel fasteners.
2. See Reference Section page v for available paint colors.



ITC Access Compartments

Pelco's ITC, Integral Terminal Compartment and Hand Hole, is an industry standard that has a low profile and unobstructed opening. The fold-out terminal plate provides for easier wiring access. Available with three terminal block options.



AP-1087-PNC **ITC Cover Assembly,
Vacuum formed ABS**



AP-1081-PNC **Double Fuse Block Kit, 600V, 3 Amp Fuse**



AP-1117-PNC **Double Fuse Block Kit, 600V, 10 Amp Fuse,
Texas Spec**

Note: All assemblies are supplied standard with stainless steel fasteners.



ITC Access Compartments

Pelco's ITC, Integral Terminal Compartment and Hand Hole, is an industry standard that has a low profile and unobstructed opening. The fold-out terminal plate provides for easier wiring access. Available with three terminal block options.



AP-1082-PNC **Terminal Block Assy, 85 Amp, 600V Compression Terminal Block w/ Hardware and Copper Ground Connector**

Note:
Terminal block conductor range for 85 Amp compression block option is 1-#18 thru 4-#10 per screw.



AP-1065-PNC **Terminal Block Assy, 65 Amp, 600V Compression Terminal Block w/ Hardware and Copper Ground Connector**

Note:
Terminal block conductor range for 65 Amp compression block option is 1-#18 thru 3-#12 per screw.



AP-1074-PNC **Terminal Block Assy, 30 Amp, 300V Terminal Strip Barrier Type w/ Hardware and Copper Ground Connector**

Note: All assemblies are supplied standard with stainless steel fasteners.



This page is intentionally left blank.

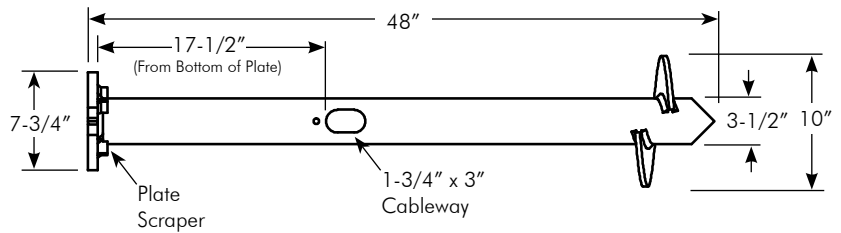


Foundation Anchors

Pelco's foundation anchors feature a top plate which enables the bolt head to be inserted after the anchor is in place. This eliminates the necessity of digging under the plate to install base bolts. Plate scrapers loosen the soil for easy bolt installation from top of the plate. The bolt is held by the plate scraper which prevents it from turning.



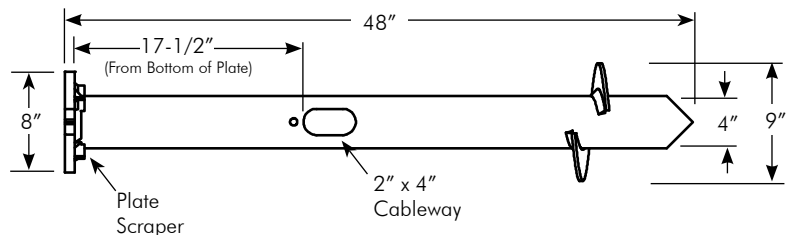
PB-5369-GLV Foundation Anchor Assy, 3" Sch 40 x 4'-0" 4-1/2" to 6-1/2" Bolt Circle, 1/2"-13NC Hardware



Note:
For residential, ornamental, and walkway lighting with small bases. (wt. 46 lbs.)



PB-5508-GLV Foundation Anchor Assy, 3 1/2" Sch 40 x 4'-0" 4-1/2" to 6-1/2" Bolt Circle, 1/2"-13NC Hardware



Note:
For residential, ornamental, and walkway lighting with small bases. (wt. 49 lbs.)

- Note: 1. Foundation anchors are hot dip galvanized per ASTM A123.
2. All assemblies are supplied with Grade 5 Galvanized Bolts.
3. All assemblies with hardware are bagged in a nylon weatherproof bag.

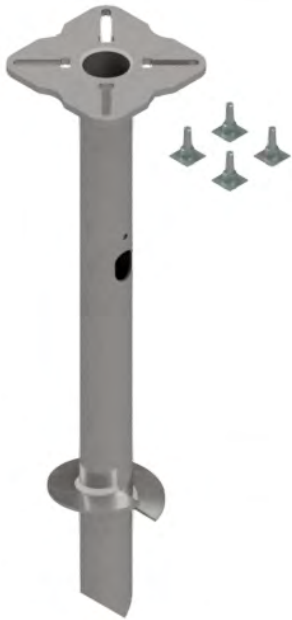


Foundation Anchors

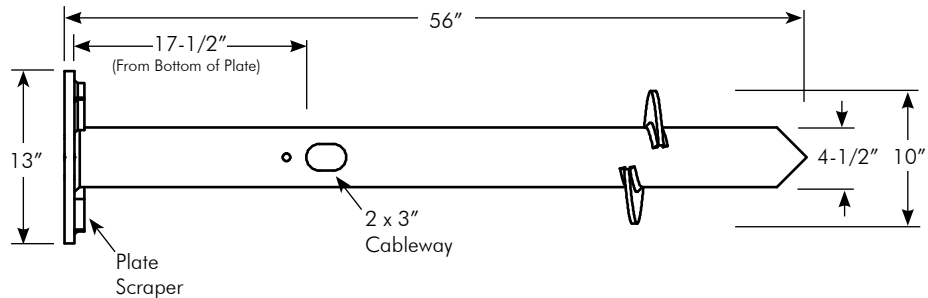
Pelco's foundation anchors feature a top plate which enables the bolt head to be inserted after the anchor is in place. This eliminates the necessity of digging under the plate to install base bolts. Plate scrapers loosen the soil for easy bolt installation from top of the plate. The bolt is held by the plate scraper which prevents it from turning.



MAST ARMS & POLES



PB-5364-GLV Foundation Anchor Assy, 4" Sch 40 x 4'-8" 8-1/4" to 14-3/4" Bolt Circle 3/4"-10NC Hardware

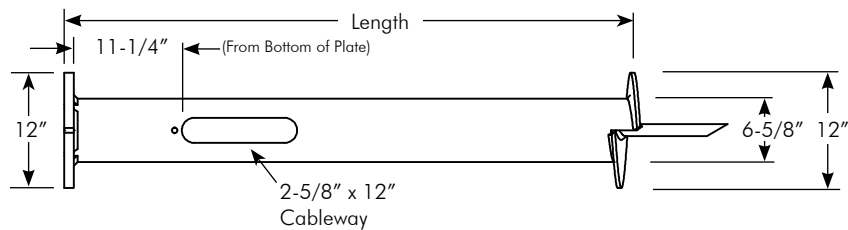


Note:
For residential lights, parking lots, and street lights. Typically for pole heights up to 16'. (wt. 94 lbs.)



Foundation Anchor Assy, 6" Sch 40 x Length 9" to 14" Bolt Circle 5/8"-11NC Hardware

PB-5550 - Length - GLV
84=7'-0"



Note:
84" (wt. 172 lbs.)

pelco
PELCO PRODUCTS, INC.

- Note: 1. Foundation anchors are hot dip galvanized per ASTM A123.
- 2. All assemblies are supplied with Grade 5 Galvanized Bolts.
- 3. All assemblies with hardware are bagged in a nylon weatherproof bag.



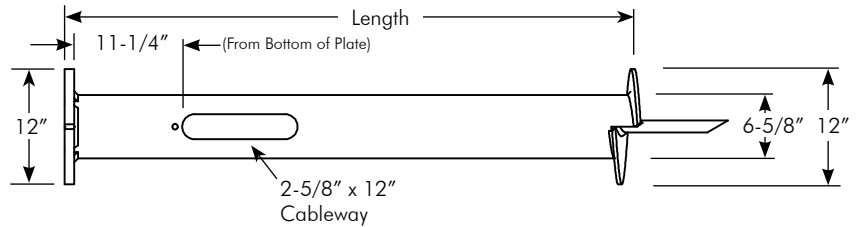
Foundation Anchors

Pelco's foundation anchors feature a top plate which enables the bolt head to be inserted after the anchor is in place. This eliminates the necessity of digging under the plate to install base bolts. Plate scrapers loosen the soil for easy bolt installation from top of the plate. The bolt is held by the plate scraper which prevents it from turning.

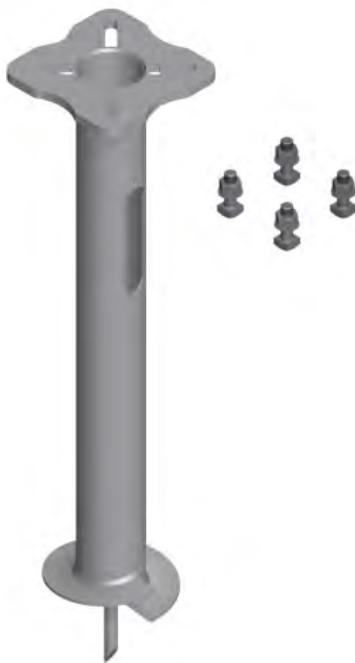


Foundation Anchor Assy, 6" Sch 40 x Length 9" to 14" Bolt Circle 1"-8NC Hardware

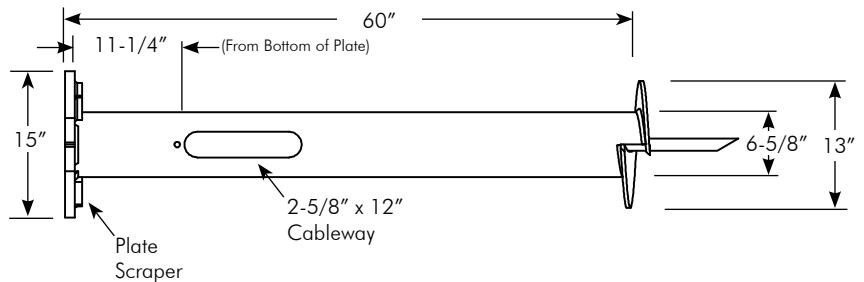
PB-5537 - Length - GLV
 48=4'-0"
 60=5'-0"
 72=6'-0"
 84=7'-0"



Note:
 48' (wt. 115 lbs.); 60" (wt. 134 lbs.); 72" (wt. 152 lbs.); 84" (wt. 172 lbs.)



PB-5372-GLV Foundation Anchor Assy, 6" Sch 40 x 5'-0" 10" to 15" Bolt Circle 1"-8NC Hardware



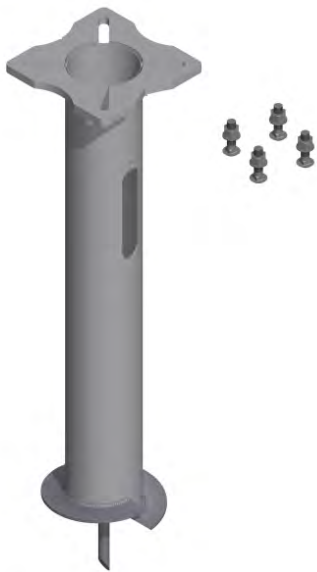
Note:
 For residential lights, parking lots, etc. Typically for poles ranging from 20'-30' in height. (wt. 167 lbs.)

- Note: 1. Foundation anchors are hot dip galvanized per ASTM A123.
 2. All assemblies are supplied with Grade 5 Galvanized Bolts.
 3. All assemblies with hardware are bagged in a nylon weatherproof bag.

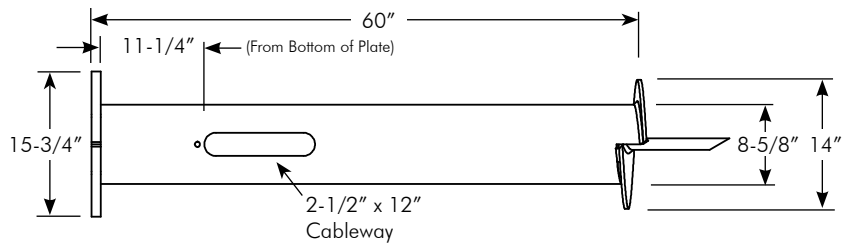


Foundation Anchors

Pelco's foundation anchors feature a top plate which enables the bolt head to be inserted after the anchor is in place. The carriage bolts, in the hardware kit, are locked in place by the slots in the top plate, preventing them from turning.



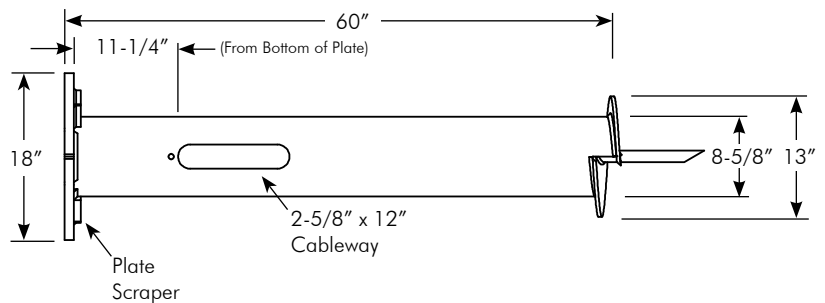
PB-5534-GLV Foundation Anchor Assy, 8" Sch 20 x 5'-0"
11" to 17" Bolt Circle
1"-8NC Hardware



Note:
 For street and highway lighting. Typically for poles ranging from 30'-50' in height. (wt. 184 lbs.)



PB-5375-GLV Foundation Anchor Assy, 8" Sch 40 x 5'-0"
13" to 18" Bolt Circle
1-1/4"-7NC Hardware



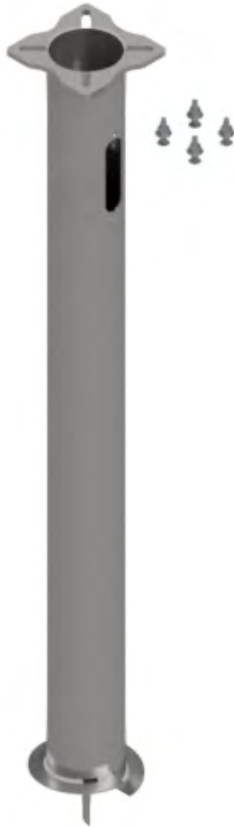
Note:
 For street and highway lighting. Typically for poles ranging from 30'-50' in height. (wt. 239 lbs.)

- Note:
1. Foundation anchors are hot dip galvanized per ASTM A123.
 2. All assemblies are supplied with Grade 5 Galvanized Bolts.
 3. All assemblies with hardware are bagged in a nylon weatherproof bag.



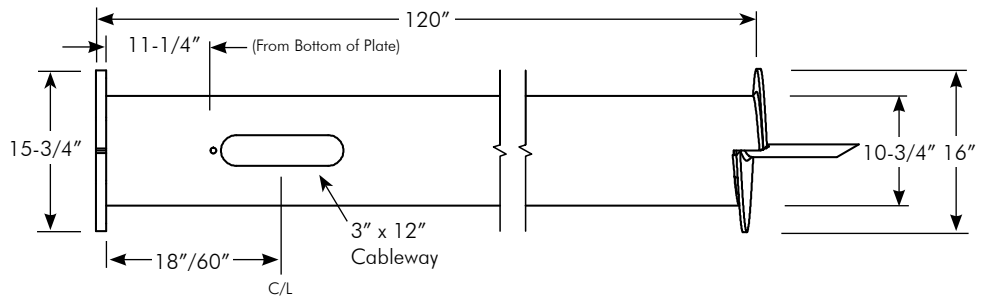
Foundation Anchors

Pelco's foundation anchors feature a top plate which enables the bolt head to be inserted after the anchor is in place. The carriage bolts, in the hardware kit, are locked in place by the slots in the top plate, preventing them from turning.

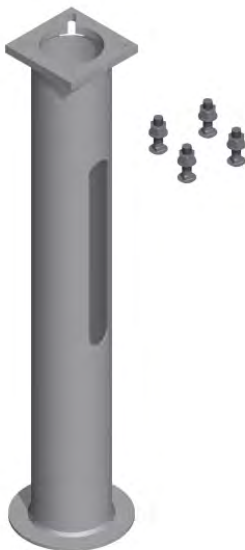


Foundation Anchor Assy, 10" Sch 20 x 10'-0" 13-1/2" to 17" Bolt Circle 1"-8NC Hardware

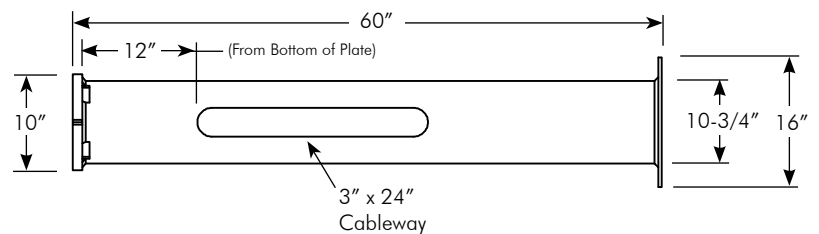
PB-5535 - Cableway - GLV
Blank=@ 18"
60=@ 60"



Note:
For street and highway lighting. Typically for poles ranging from 30'-50' in height. (wt. 359 lbs.)



SP-6360-GLV Foundation Anchor Assy, 8" Sch 20 x 5'-0" 8" to 11" Bolt Circle, 3/4"-10NC Hardware



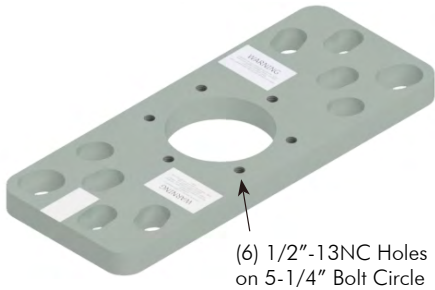
Note:
Designed to be stabilized in concrete footing. Typically for poles up to 30' in height. (wt. 141 lbs)

- Note: 1. Foundation anchors are hot dip galvanized per ASTM A123.
2. All assemblies are supplied with Grade 5 Galvanized Bolts.
3. All assemblies with hardware are bagged in a nylon weatherproof bag.



Foundation Anchors

Various accessories are available to assist in installation of foundation anchors and anchor bolts.



(6) 1/2"-13NC Holes on 5-1/4" Bolt Circle

Driver Adapter for Foundation Anchor Steel

PB-0604-ZN1



Note: Required to connect the Kelly Bar adapter (not supplied) to the foundation anchor for installation. Special slotted hole patterns permits installation of foundation anchors having bolt circle diameters of 9" to 14-3/4". Zinc 1 Finish.



PB-0602-GLV **Shim, 1/16" x 2" x 2" Galvanized Steel**

PB-0603-GLV **Shim, 1/8" x 2" x 2" Galvanized Steel**

AP-3085-PNC **Anchor Bolt Template, ABS Plastic**

- Quick, easy set-up in minutes
- Bolt circle patterns of 7-1/2" to 24-1/2"
- Easy guide divots every 1/2"
- Reusable



The Bolt Template is a reusable "tool" used for layout of bolts to be used in concrete for the future installation of poles. Constructed of UV stabilized ABS plastic, the Bolt Template may be used for various bolt patterns from 7-1/2" up to 24-1/2". Accepts multiple conduits through the center with the capacity for up to two 2" conduits and multiple smaller conduits at one time.

Note: See Section T11 for anchor bolt sets and cages.



GPL Geometrically Programmed Louvers

The Pelco GPL is a precisely aimed and controlled traffic signal louvering system which is designed for quick easy installation. Drivers see a full circle of bright projected light when they are within the preset field of vision. The GPL is available without a visor or with a full circle visor that easily replaces the existing visor on most signals.



GPL, Geometrically Programmed Louver, 12" w/o Visor



GL-1001	-	<input type="text"/>	-	PNC
		View Angle		
		7=7°		
		8=8°		
		9=9°		
		11=11°		
		13=13°		
		15=15°		
		23.5=23.5°		
		42=42°		

Note:
Typical factory set view angle is 8°. Additional view angles can be achieved by relocating the baffles. See diagram on T13-2.

GPL, Geometrically Programmed Louver, 12" w/ Visor



GL-1010	-	<input type="text"/>	-	<input type="text"/>	-	<input type="text"/>
		View Angle		Mounting Clips		Coating
		07=7°		Blank=No Clips		P__=Paint
		08=8°		UC=Universal Clips		
		09=9°				
		11=11°				
		13=13°				
		15=15°				
		23.5=23.5°				
		42=42°				

Note:
1. Shown with universal clip option.
2. Typical factory set view angle is 8°. Additional view angles can be achieved by relocating the baffles. See diagram on T13-2.

Note: 1. All assemblies are supplied standard with stainless steel fasteners.
2. Universal Clips fit Eagle, Econolite, TCT, Mark IV, and McCain signals.
3. See Reference Section page v for available paint colors.

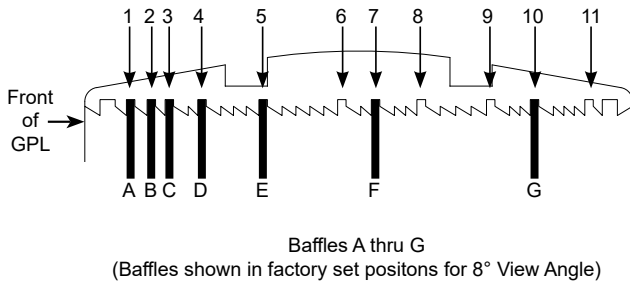


GPL View Angle Adjustments

The Pelco GPL is a precisely aimed and controlled traffic signal lowering system which is designed for quick easy installation. Drivers see a full circle of bright projected light when they are within the preset field of vision. The GPL is available without a visor or with a full circle visor that easily replaces the existing visor on most signals.



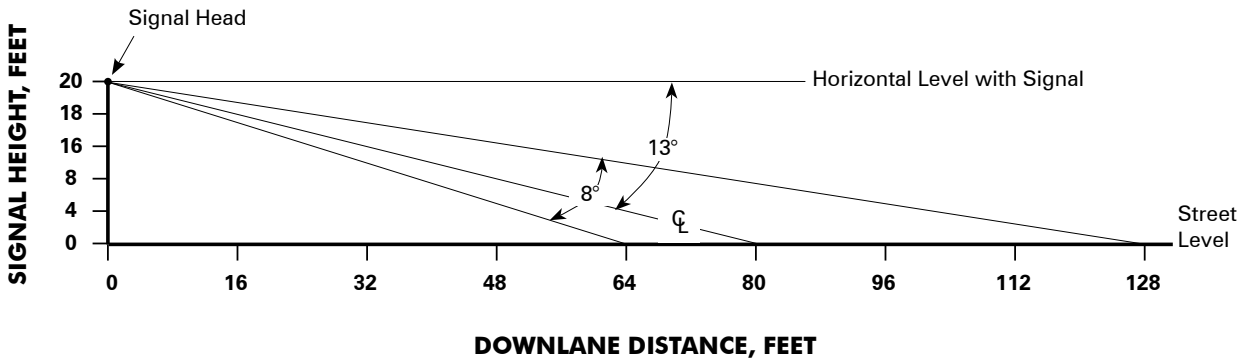
GPL Baffle Locations 1 thru 11 (for other than standard factory set 8° view angle)



View Angle	Baffle Position for GPL
8°	All baffles in factory set position #1, 2, 3, 4, 5, 7, & 10
7°	Move baffle "G" to #11 position
9°	Move baffle "G" to #9 position
11°	Move baffle "G" to #8 position
13°	Omit baffle "G" completely
15°	Omit baffle "G" completely & move baffle "F" to #6 position
23½°	Omit baffle "F" & "G" completely
42°	Omit baffle "E", "F" & "G" completely

Typical Example at 8° View Angle

Signal Height: 20 Ft
Furthest Distance Downlane: 128 Ft
Closest Distance Downlane: 64 Ft



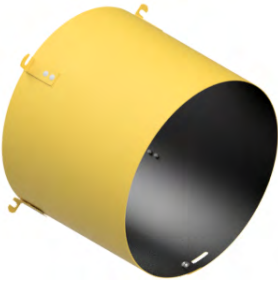
Aluminum Signal Visors

Full circle and tunnel signal visors are supplied with a universal clip for attachment to signal. Black inside, federal yellow or black outside.



Visor, Full Circle w/ Slots for 12" GPL w/ Universal Clips

SM-1028-UC - Coating
P__=Paint



Visor, Full Circle w/o Slots for 12" Signal w/ Universal Clips

SM-1031-UC - Coating
P__=Paint



Visor, Tunnel for 12" Signal w/ Universal Clips

SM-1034-UC - Coating
P__=Paint



Universal Clip Set of 4

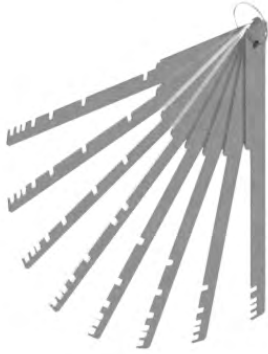
SM-1040 - Coating
P__=Paint

- Note: 1. All assemblies are supplied standard with stainless steel fasteners.
2. Universal Clips fit Eagle, Econolite, TCT, Mark IV, and McCain signals.
3. See Reference Section page v for available paint colors.



Signal Accessories

The adjustment tool makes it easy to install and adjust a GPL in an existing visor. Pelco also provides a complete installation kit.



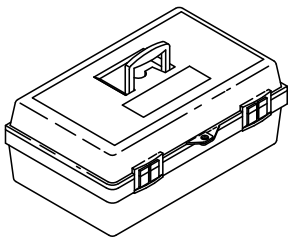
GL-1008-PNC **GPL Combs, Baffle Adjustment Set of 8, Stainless**
Includes 7°, 8°, 9°, 11°, 13°, 15°, 23.5°, 42°



GL-1002-PNC **Adjustment Tool, GPL w/ Depth Gauge**



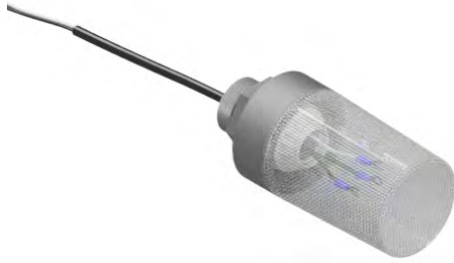
GL-2001-PNC **Installation Kit w/o Screw Gun**
Includes: adjustment tool, visor marking template & sleeve, marking pen, 1/4" & 5/16" shock cord in a small tool box.



GL-2002-PNC **Installation Kit w/ Screw Gun**
Includes: adjustment tool, visor marking template & sleeve, marking pen, 1/4" & 5/16" shock cord, cordless screw gun, battery & charger in a large tool box.

Confirmation Lights

Used to confirm a traffic signal is red when a car enters the intersection.
Available in clear, red, or blue and various mounting applications.

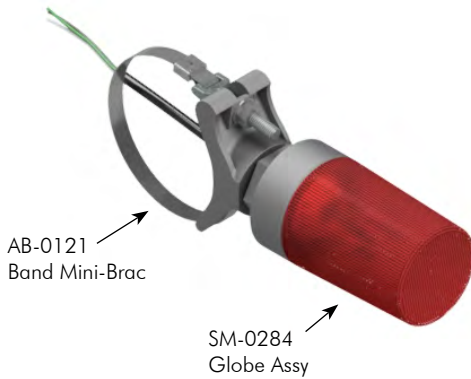


Confirmation Light Assy w/ Globe

SM-0284 - -

Globe Color Coating

CL=Clear PNC=Process No Color
RD=Red P__=Paint
BL=Blue



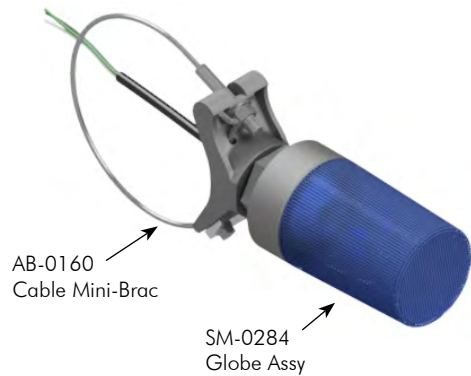
Confirmation Light Assy w/ Globe Stainless Band Astro Mini-Brac

SM-0286 - - -

Globe Color Band Length Coating

CL=Clear See Table PNC=Process No Color
RD=Red P__=Paint
BL=Blue

Band Length:	29"	42"	56"	72"
Maximum Pole Dia:	7.3"	11.5"	15.9"	21.0"



Confirmation Light Assy w/ Globe Stainless Cable Astro Mini-Brac

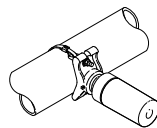
SM-0321 - - -

Globe Color Cable Length Coating

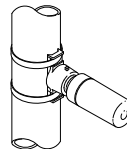
CL=Clear See Table PNC=Process No Color
RD=Red P__=Paint
BL=Blue

Cable Length:	45"	62"	84"
Maximum Pole Dia:	11.1"	16.6"	22.0"

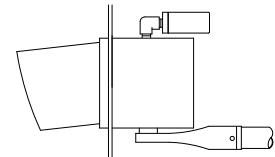
Typical Applications:



Mast Arm Mount
Astro-Mini-Brac



Side-of-Pole Mount
Banded Narrow Hub



Plumbizer Mount

Note: 1. All assemblies are supplied standard with stainless steel cable, clamp screw, and fasteners.
2. Bulbs not included with assembly. Recommended 67W or 69W 8000 hr traffic signal lamp (not to exceed 75W).
3. See Reference Section page v for available paint colors.



Copper Safe® Cable Retainers

Pelco's anti-theft Cable Retainers are the best solution to help prevent copper cable theft in roadway lighting and traffic poles. Cable Retainers are available in various sizes, are easy to install, and work with Pelco's foundation anchors or existing foundations.



SP-6224-GLV **Cable Retainer Assy,
For 4" Foundation Anchor,
Galvanized Steel**

Note:
Works with Pelco's PB-5364 4" Foundation Anchor or with existing foundations with a 8" to 13-1/2" bolt circle. Secures 3/16" to 1/2" diameter cables.



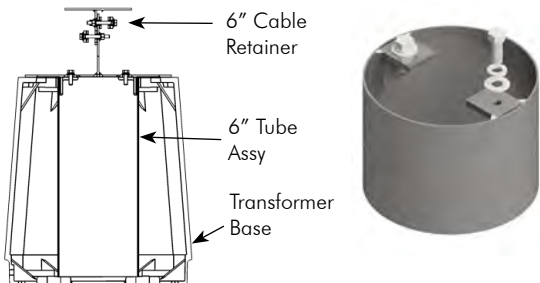
SP-6200-GLV **Cable Retainer Assy,
For 6" Foundation Anchor,
Galvanized Steel**

Note:
Works with Pelco's PB-5372 6" Foundation Anchor or with existing foundations with a 9-1/2" to 13-1/2" bolt circle. Secures 3/16" to 1/2" diameter cables.



SP-6205-GLV **Cable Retainer Assy,
For 8" Foundation Anchor,
Galvanized Steel**

Note:
Works with Pelco's PB-5375 8" Foundation Anchor or with existing foundations with a 11-1/2" to 17" bolt circle. Secures 3/16" to 1/2" diameter cables.



**Tube Assy for 6" Cable Retainer,
Galvanized Steel**

Length
SP-6358 - - GLV
04.5=4-1/2"
16.38=16-3/8"

Note: 1. All assemblies are supplied standard with stainless fasteners.



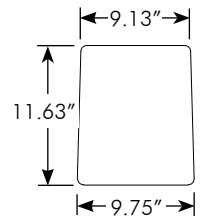
Copper Safe® Base Doors

Pelco's anti-theft Transformer Base Doors are shatter-resistant and pull-off resistant to protect against copper theft. The doors require a special Pelco Installation Kit which includes everything required for installing multiple doors and covers.



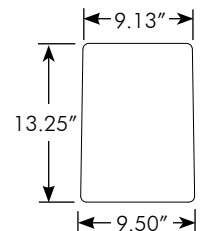
Door Assy, Copper Safe® Theft Deterrent, Steel Fits Akron TB1-17, TB1-17 Mod, TB2-17, & TB3-17 Transformer Bases

PB-5520 - Coating
P_ = Paint



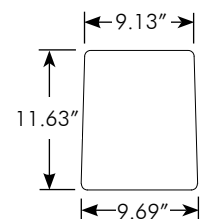
Door Assy, Copper Safe® Theft Deterrent, Steel Fits Akron TB1-20, TB1-20 Mod, TB2-20, & TB3-20 Transformer Bases

PB-5526 - Coating
P_ = Paint



Door Assy, Copper Safe® Theft Deterrent, Steel Fits Akron TB-17H Transformer Base

PB-5536 - Coating
P_ = Paint



- Note: 1. All assemblies are supplied standard with stainless fasteners.
2. Doors require AP-5121 Kit for installation.
3. Typically powder coated P40 Silver, see Reference Section page v for other available paint colors.



Copper Safe® Base Doors

Pelco's anti-theft Transformer Base Doors are shatter-resistant and pull-off resistant to protect against copper theft. The doors require a special Pelco Installation Kit which includes everything required for installing multiple doors and covers.

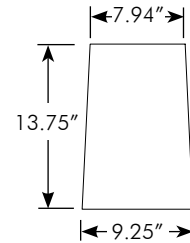


Door Assy, Copper Safe® Theft Deterrent, Steel Fits Union Metal Med Transformer Base

PB-5529 -

--

Coating
P__ = Paint

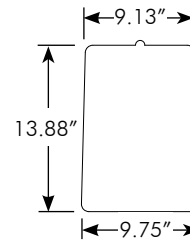


Door Assy, Copper Safe® Theft Deterrent, Steel Fits AB Chance Transformer Base

PB-5531 -

--

Coating
P__ = Paint



- Note: 1. All assemblies are supplied standard with stainless fasteners.
 2. Covers require AP-5121 Kit for installation.
 3. Typically powder coated P40 Silver, see Reference Section page v for other available paint colors.



Copper Safe® Hand Hole Covers

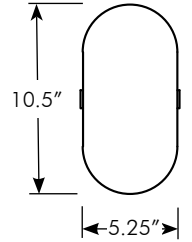
Pelco's anti-theft Hand Hole Covers are shatter-resistant and pull-off resistant to protect against copper theft. Copper Safe® covers are available for various sized hand holes. A special Pelco Installation Kit is required which includes everything needed for installing multiple covers and doors.



Hand Hole Cover Assy, Copper Safe® Theft Deterrent, Steel

Fits 4.38" x 9.63" to 5.13" x 10.38" Oval Opening

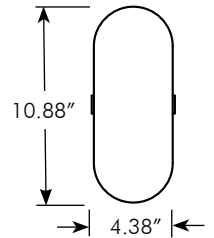
AP-3172 - Coating
P__ = Paint



Hand Hole Cover Assy, Copper Safe® Theft Deterrent, Steel

Fits 3.25" x 9.75" to 4.25" x 10.75" Oval Opening

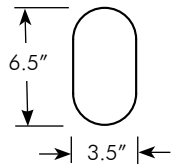
AP-3173 - Coating
P__ = Paint



Hand Hole Cover Assy, Copper Safe® Theft Deterrent, Steel

AP-3161 - Coating Fits 2.13" x 5.13" to 3.38" x 6.38"
P__ = Paint Oval Opening

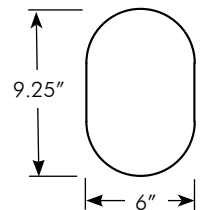
AP-3160 - Coating Fits 2" x 5" to 2.25" x 5.25"
P__ = Paint Rectangular Opening



Hand Hole Cover Assy, Copper Safe® Theft Deterrent, Steel

Fits 4.63" x 7.88" to 5.75" x 9.0" Oval Opening

AP-3167 - Coating
P__ = Paint



- Note: 1. All assemblies are supplied standard with stainless fasteners.
 2. Covers require AP-5121 Kit for installation.
 3. Typically powder coated P40 Silver, see Reference Section page v for other available paint colors.
 4. For hand hole cover matrix see page T13-11.



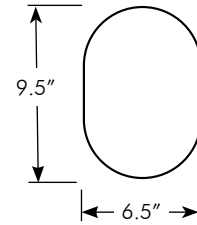
Copper Safe® Hand Hole Covers

Pelco's anti-theft Hand Hole Covers are shatter-resistant and pull-off resistant to protect against copper theft. Copper Safe® covers are available for various sized hand holes. A special Pelco Installation Kit is required which includes everything needed for installing multiple covers and doors.



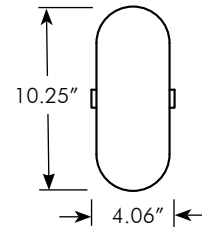
Hand Hole Cover Assy, Copper Safe® Theft Deterrent, Steel
Fits 5.63" x .863" to 6.38" x 9.38" Oval Opening

AP-3180 - Coating
P__ = Paint



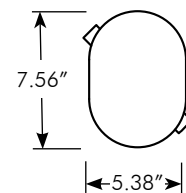
Hand Hole Cover Assy, Copper Safe® Theft Deterrent, Steel
Fits 3.38" x 9.5" Oval Opening

AP-3200 - Coating
P__ = Paint



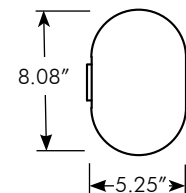
Hand Hole Cover Assy, Copper Safe® Theft Deterrent, Steel
Fits 4.63" x 6.75" to 5.25" x 7.38" Oval Opening

AP-3181 - Coating
P__ = Paint



Hand Hole Cover Assy, Copper Safe® Theft Deterrent, Steel
Fits 5" x 8" Oval Hand Hole Ring

AP-3158 - Coating
P__ = Paint



- Note: 1. All assemblies are supplied standard with stainless fasteners.
2. Covers require AP-5121 Kit for installation.
3. Typically powder coated P40 Silver, see Reference Section page v for other available paint colors.
4. For hand hole cover matrix see page T13-11.



Copper Safe® Hand Hole Covers

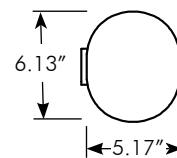
Pelco's anti-theft Hand Hole Covers are shatter-resistant and pull-off resistant to protect against copper theft. Copper Safe® covers are available for various sized hand holes. A special Pelco Installation Kit is required which includes everything needed for installing multiple covers and doors.



Hand Hole Cover Assy, Copper Safe® Theft Deterrent, Steel

Fits 3.38" x 4.38" to 5" x 16" Oval Opening on 8" OD Pole

AP-3162 - Coating
P_ = Paint



Installation Kit, Copper Safe® Theft Deterrent, for Hand Hole Covers & Doors

AP-5121-PNC

Note: Required for installing Pelco's theft-deterrent hand hole covers and doors. Includes 3/16" & 3/8" drill bits, security extensions, and security extension wrench, in a PVC storage case. Installation Kit is reusable.

Part No.	Fits Opening Size		Overall Size		Page
	Width	Height	Width	Height	
AP-3172	4.38	9.63	5.25	10.5	T13-9
	5.13	10.38			
AP-3173	3.25	9.75	4.38	10.88	T13-9
	4.25	10.75			
AP-3161	2.13	5.13	3.5	6.5	T13-9
AP-3160 (Rect Opening)	2	5	3.5	6.5	T13-9
	2.25	5.25			
AP-3167	4.63	7.88	6	9.25	T13-9
	5.75	9			
AP-3180	5.63	8.63	6.5	9.5	T13-10
	6.38	9.38			
AP-3200	3.38	9.95	4.06	10.25	T13-10
AP-3181	4.63	6.75	5.38	7.56	T13-10
	5.25	7.38			
AP-3158 (for Hand Hole Ring)	5	8	5.25	8.08	T13-10
AP-3162 (for 8" Dia Pole)	3.38	4.38	5.17	6.13	T13-11
	5	6			

- Note: 1. All assemblies are supplied standard with stainless fasteners.
 2. Covers require AP-5121 Kit for installation.
 3. Typically powder coated P40 Silver, see Reference Section page v for other available paint colors.



This page is intentionally left blank.



Aluminum Pipe Fittings



Elbow, Serrated, 1-1/2" NPS, Alum

SE-0457 - Ports - Coating
 SOE=Slip 1 End PNC=Process No Color
 P__=Paint



Elbow, Serrated, 1-1/2" NPS w/ Tri-Stud Adapter, Alum

SE-0514 - Coating
 PNC=Process No Color
 P__=Paint



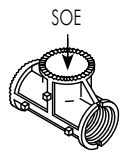
Elbow, Serrated, 1-1/2" NPS w/ Tri-Bolt Adapter, Alum

SE-0501 - Coating
 PNC=Process No Color
 P__=Paint



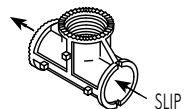
Tee, Serrated, 1-1/2" NPS, Alum

SE-0458 - Ports - Coating
 SOE=Slip1 End PNC=Process No Color
 P__=Paint



Tee, Serrated, 1-1/2" NPS, Horizontal Slip, Alum

SE-0474 - Coating
 PNC=Process No Color
 P__=Paint



Note: 1. All assemblies are supplied standard with stainless steel fasteners.
 2. For double set screw option, specify by including -DS in the part number, i.e., SE-0457-DS-PNC.
 3. See Reference Section page v for available paint colors.



Aluminum Pipe Fittings



Tee, Serrated, 1-1/2" NPS w/ Tri-Stud Adapter, Alum

SE-0513 - Coating
 PNC=Process No Color
 P__=Paint



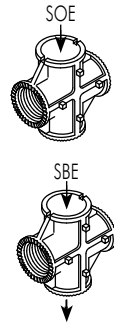
Tee, Serrated, 1-1/2" NPS w/ Tri-Bolt Adapter, Alum

SE-0500 - Coating
 PNC=Process No Color
 P__=Paint



Cross, Serrated, 1-1/2" NPS, Alum

SE-4038 - Ports - Coating
 SOE=Slip 1 End PNC=Process No Color
 SBE=Slip Both Ends P__=Paint



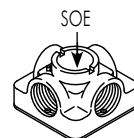
Center Support, 3-Way, 1-1/2" NPS, Alum

SE-0310 - Coating
 PNC=Process No Color
 P__=Paint



Center Support, 4-Way, 1-1/2" NPS, Alum

SE-0305 - Ports - Coating
 SOE=Slip 1 End PNC=Process No Color
 P__=Paint



- Note: 1. All assemblies are supplied standard with stainless steel fasteners.
 2. For double set screw option specify by including -DS in the part number, i.e., SE-0513-DS-PNC.
 3. See Reference Section page v for available paint colors.

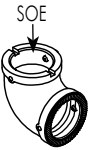


Iron Pipe Fittings



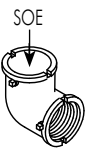
ELL, Serrated, 1-1/2" NPS, Iron

SE-4415 - Ports - Coating
 SOE=Slip 1 End GLV=Galvanized
 P__=Paint



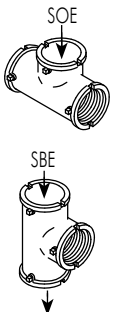
ELL, 1-1/2" NPS, Iron

SE-4091 - Ports - Coating
 SOE=Slip 1 End GLV=Galvanized
 P__=Paint



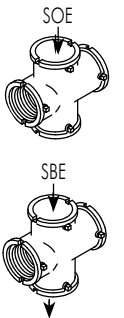
Tee, 1-1/2" NPS, Iron

SE-4092 - Ports - Coating
 SOE=Slip 1 End GLV=Galvanized
 SBE=Slip Both Ends P__=Paint



Cross, 1-1/2" NPS, Iron

SE-4093 - Ports - Coating
 SOE=Slip 1 End GLV=Galvanized
 SBE=Slip Both Ends P__=Paint



- Note: 1. All assemblies are supplied standard with stainless steel fasteners.
 2. For double set screw option specify by including -DS in the part number, i.e., SE-4415-DS-PNC.
 3. Iron fittings, with the exception of SE-4415 ELL, are not serrated. For serrations add brass or alum serrated locking.
 4. See Reference Section page v for available paint colors.



Iron Pipe Fittings

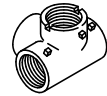


Side Outlet Tee, 1-1/2" NPS, Iron

SE-0437 - -
Ports Coating
SOE=Slip 1 End GLV=Galvanized
N=Notched P__=Paint



Notched



Center Support, 2-Way, 1-1/2" NPS, Iron

SE-0495 -
Coating
P__=Paint



Center Support, 3-Way, 1-1/2" NPS, Iron

SE-0482 -
Coating
P__=Paint

Note: Double set screws are standard.



Center Support, 4-Way, 1-1/2" NPS, Iron

SE-0496 -
Coating
P__=Paint

- Note: 1. All assemblies are supplied standard with stainless steel fasteners.
2. For double set screw option specify by including -DS in the part number, i.e., SE-0496-DS-PNC.
3. Iron fittings, with the exception of SE-4415 Ell, are not serrated. For serrations add alum or brass serrated locking.
4. See Reference Section page v for available paint colors.



Span Wire

Span Wire Clamp w/ U-Bolts 3/4" Wide Slot, Alum



SE-0321 - - - PNC

 Bushing Stainless Upgrade
 Blank=None Blank=Galv
 SB=Stainless Bushing SS=Stainless

Span Wire Clamp w/ U-Bolts 5/8" Wide Slot, Alum

SE-4077 - - - PNC

 Bushing Stainless Upgrade
 Blank=None Blank=Galv
 SB=Stainless Bushing SS=Stainless

Span Wire Clamp w/ U-Bolts 1/2" Wide Slot, Alum

SE-3211 - - - PNC

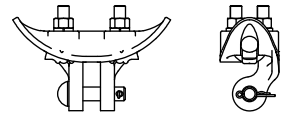
 Bushing Stainless Upgrade
 Blank=None Blank=Galv
 SB=Stainless Bushing SS=Stainless

Span Wire Clamp, 90° w/ U-Bolts 1/2" Wide Slot, Alum

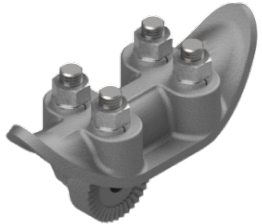


SE-3212 - - - PNC

 Bushing Stainless Upgrade
 Blank=None Blank=Galv
 SB=Stainless Bushing SS=Stainless

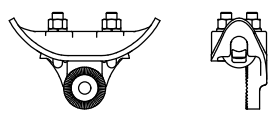


Span Wire Clamp w/ U-Bolts Serrated, Alum



SE-3213 - - PNC

 Stainless Upgrade
 Blank=Galv
 SS=Stainless



Note: 1. All span wire clamps are supplied standard with galvanized fasteners.





Span Wire Clamp w/ U-Bolts 1/2" Wide Slot, Iron

SE-0388 - - PNC
Stainless Upgrade
Blank=Galv
SS=Stainless



Span Wire Clamp, Long w/ Stainless U-Bolts 5/8" Wide Slots, Iron

SE-4186-GLV



Span Wire Clamp, Long w/ Stainless U-Bolts 3/4" Wide Slots, Bronze

SE-3323-PNC

Note: 1. Upgrade of stainless from galvanized fasteners available where indicated.



Span Wire



Wire Outlet Body, Iron w/ Grommet 1-1/2" NPS, 1/2" Wide Comb

SE-4118 - -
Coating
P__=Paint



Wire Outlet Body, Alum w/ Grommet 1-1/2" NPS, 3/4" Wide Comb

SE-4117 - - PNC
Blank=None
SB=Stainless Bushing



Wire Outlet Body w/ Grommet 1-1/2" NPS, 3/4" Wide Comb, Bronze

SE-4421 -
Coating
PNC=Process No Color
P__=Paint



Wire Outlet Body w/ Grommet Tri-Stud, 3/4" Wide Comb, Alum

SE-0545 - -
Blank=None SB=Stainless Bushing PNC=Process No Color P__=Paint



Wire Outlet Body w/ Grommet Tri-Stud, Single Clevis, Alum

SE-0524 - -
Blank=None SB=Stainless Bushing PNC=Process No Color P__=Paint



Wire Outlet Body w/ Grommet Tri-Stud Adjustable, Alum

SE-0523 -
Coating
PNC=Process No Color
P__=Paint

- Note: 1. All assemblies are supplied standard with stainless steel fasteners.
2. For double set screws option specify by including -DS in the part number, i.e., SE-4118-DS-PNC.
3. See Reference Section page v for available paint colors.



Wire Outlet Body, Double Single Clevis Tri-Stud, 3/4" Wide, Alum

SE-0531 - -
 Bushing Coating
 Blank=None PNC=Process No Color
 SB=Stainless Bushing P__=Paint



Wire Outlet Body, Double Single Clevis 1-1/2" NPS, 3/4" Wide, Alum

SE-4058 - -
 Bushing Coating
 Blank=None PNC=Process No Color
 SB=Stainless Bushing P__=Paint



Wire Outlet Body, Double Adjustable Tri-Stud, Alum

SE-0532 -
 Coating
 PNC=Process No Color
 P__=Paint



Wire Outlet Body, Double Multi Clevis Tri-Stud, 3/4" Wide Comb, Alum

SE-0558 - -
 Bushing Coating
 Blank=None PNC=Process No Color
 SB=Stainless Bushing P__=Paint



Wire Outlet Body, Double Universal 1-1/2" NPS, 1/2" Wide Comb, Iron

SE-4155 - -
 Bushing Coating
 Blank=None P__=Paint
 SB=Stainless Bushing

- Note: 1. All assemblies are supplied standard with stainless steel fasteners.
 2. For double set screws option specify by including -DS in the part number, i.e., SE-4058-DS-PNC.
 3. See Reference Section page v for available paint colors.



Span Wire



Hanger Body, 1-1/2" NPS, Alum

SE-0530 - Coating
PNC=Process No Color
P__=Paint



Hanger Body, Single-Stud, Alum

SE-0438 - Coating
PNC=Process No Color
P__=Paint



Hanger Body, Double Stud, Alum

SE-0516 - Coating
PNC=Process No Color
P__=Paint



Hanger Body, Tri-Stud, Alum

SE-0512 - Coating
PNC=Process No Color
P__=Paint

- Note: 1. All assemblies are supplied standard with stainless steel fasteners.
2. For double set screws option specify by including -DS in the part number, i.e., SE-0530-DS-PNC.
3. See Reference Section page v for available paint colors.





Clevis Adapter, 1-1/2" NPS 3/4" Clevis, Alum

SE-4030 - -
 Bushing Coating
 Blank=None PNC=Process No Color
 SB=Stainless Bushing P__=Paint



Clevis Adapter, 5/16"-18 Tri-Stud 3/4" Clevis, Alum

SE-4031 - -
 Bushing Coating
 Blank=None PNC=Process No Color
 SB=Stainless Bushing P__=Paint



Clevis Adapter, 1/2"-13 Single Stud 3/4" Clevis, Alum

SE-0540 - -
 Bushing Coating
 Blank=None PNC=Process No Color
 SB=Stainless Bushing P__=Paint



Clevis Adapter, 1/2"-13 Single Stud 3/4" Wide Slot, Alum

SE-0630 - -
 Bushing Coating
 Blank=None PNC=Process No Color
 SB=Stainless Bushing P__=Paint

Note: 1. All assemblies are supplied standard with stainless steel fasteners.
 2. For double set screws option specify by including -DS in the part number, i.e., SE-4030-DS-PNC.
 3. See Reference Section page v for available paint colors.



Span Wire



**Span Wire Adapter, 1-1/2" NPS
5/8" Clevis w/ Stainless Bushing, Alum**

SE-0371 - Coating
PNC=Process No Color
P__=Paint



**Tri-Stud Adapter, 1-1/2" NPS External Threads
Alum**

SE-0503 - PNC



**Tri-Bolt Adapter, 1-1/2" NPS External Threads
Alum**

SE-0502 - PNC



**Tri-Stud Adapter, 1-1/2" NPS Internal Threads
Alum**

SE-0533 - Coating
PNC=Process No Color
P__=Paint



**Tri-Bolt Adapter, 1-1/2" NPS Internal Threads,
Alum**

SE-4242 - Coating
PNC=Process No Color
P__=Paint

Note: 1. All assemblies are supplied standard with stainless steel fasteners.
2. For double set screws option specify by including -DS in the part number, i.e., SE-0533-DS-PNC.
3. See Reference Section page v for available paint colors.





**Disconnect Balancer, 1-1/2" NPS
1/2" Wide Comb, Iron, Zinc 2**

SE-0380-ZN2



**Disconnect Balancer, Tri-Stud
3/4" Wide Comb, Alum**

SE-0505 - -
Blank=None PNC=Process No Color
SB=Stainless Bushing P__=Paint

Note: 1. All assemblies are supplied standard with stainless steel fasteners.
2. See Reference Section page v for available paint colors.





PAL Balance Adjuster, Pivot and Lock Stainless Eyebolt & Pin, Steel

SE-3219	-	Slot	-	Eyebolt	-	GLV
		0.50=1/2"		0.50=1/2"		
		0.75=3/4"		0.75=3/4"		



Balance Adjuster Galv Eyebolt & Stainless Pin, Iron

SE-3108	-	Slot	-	Eyebolt	-	GLV
		0.50=1/2"		0.50=1/2"		
		0.75=3/4"		0.75=3/4"		



Balance Adjuster Galv Eyebolt & Stainless Pin, Bronze

SE-3200	-	Slot	-	Eyebolt	-	PNC
		0.50=1/2"		0.50=1/2"		
		0.75=3/4"		0.75=3/4"		



Balance Adjuster w/ Jam Nut & Lock Washer Galv Eyebolt & Stainless Pin, Iron

SE-3191	-	Slot	-	Eyebolt	-	GLV
		0.50=1/2"		0.50=1/2"		
		0.75=3/4"		0.75=3/4"		

Note: 1. All assemblies are supplied standard with stainless steel fasteners.
2. See Reference Section page v for available paint colors.



Clevis Hanger w/ Stainless Pin 3/4" Hanger x 3/4" Clevis, Alum



SE-0467 - -
 Bushing Coating
 Blank=None PNC=Process No Color
 SB=Stainless Bushing P__=Paint

Clevis Hanger w/ Stainless Pin 3/4" Hanger x 1/2" Clevis, Alum

SE-0610 - -
 Bushing Coating
 Blank=None PNC=Process No Color
 SB=Stainless Bushing P__=Paint

Clevis-Clevis Hanger w/ Stainless Pins 3/4" x 1/2", Alum

SE-0611 - -
 Bushing Coating
 Blank=None PNC=Process No Color
 SB=Stainless Bushing P__=Paint



Clevis-Clevis Hanger w/ Stainless Pins 3/4" x 3/4", Alum

SE-0468 - -
 Bushing Coating
 Blank=None PNC=Process No Color
 SB=Stainless Bushing P__=Paint

Clevis-Clevis Hanger w/ Stainless Pins 1/2" x 1/2", Alum

SE-0464 - -
 Bushing Coating
 Blank=None PNC=Process No Color
 SB=Stainless Bushing P__=Paint

Note: 1. All assemblies are supplied standard with stainless steel fasteners.
 2. See Reference Section page v for available paint colors.





Extender Connector Hanger, 10-Hole Alum

SE-0539 - -
 Bushing Coating
 Blank=None PNC=Process No Color
 SB=Stainless Bushing P__=Paint



Extender Connector Hanger, 10-Hole, Serrated, Alum

SE-0543 - -
 Bushing Coating
 Blank=None PNC=Process No Color
 SB=Stainless Bushing P__=Paint



Extender Connector Hanger, 2-Hole 1/2" Width, Alum

SE-0508 - -
 Bushing Coating
 Blank=None PNC=Process No Color
 SB=Stainless Bushing P__=Paint



Extender Connector Hanger, 2-Hole Heavy Duty 3/4" Width, Alum

SE-0656 - -
 Bushing Coating
 Blank=None PNC=Process No Color
 SB=Stainless Bushing P__=Paint

Note: See Reference Section page v for available paint colors.





Extender, 3/8" Dia Holes 1" CTC, Alum

SE-0507 - -

Length Coating

11=11" PNC=Process No Color

19=19" P__=Paint

40=40"

72=72"



Tri-Stud Hanger Body, Adjustable 10-Hole, Alum

SE-0538 -

Coating

PNC=Process No Color

P__=Paint



Lower Arm, 2-Way 16-1/2" CTC Single Stud Serrated, Alum

SE-4010 -

Coating

PNC=Process No Color

P__=Paint

Lower Arm, 2-Way 17" CTC Single Stud Serrated, Alum

SE-0521 -

Coating

PNC=Process No Color

P__=Paint

Note: 1. See Reference Section page v for available paint colors.



Hubs & Mounting Brackets



Hub Plate w/ Cable Guide, 1-1/2" NPS, Alum

SE-0444 -
Coating
PNC=Process No Color
P__=Paint



Hub Plate w/o Cable Guide, 1-1/2" NPS, Alum

SE-0445 -
Coating
PNC=Process No Color
P__=Paint

Hub Plate w/o Cable Guide, 1-1/2" NPS, Iron

SE-4124 -
Coating
P__=Paint



Hub Plate w/o Cable Guide, 1-1/2" NPS, Bronze

SE-4426 -
Coating
PNC=Process No Color
P__=Paint



Hub Plate, Universal, 1-1/2" NPS w/ 15/16" Dia Hole in Rear, Alum

SE-4071 -
Coating
PNC=Process No Color
P__=Paint

Hub Plate, Universal, 1-1/2" NPS w/ 1-1/2" Dia Hole in Rear, Alum

SE-4108 -
Coating
PNC=Process No Color
P__=Paint

- Note: 1. All assemblies are supplied standard with stainless steel fasteners.
2. For double set screw option specify by including -DS in the part number, i.e., SE-0444-DS-PNC.
3. See Reference Section page v for available paint colors.



Hubs & Mounting Brackets



Hub Plate, Flat Back, 1-1/2" NPS, Alum

SE-0415 -

Coating
PNC=Process No Color
P__=Paint



Hub Plate, 4" Pipe, 1-1/2" NPS, Alum

SE-0454 -

Coating
PNC=Process No Color
P__=Paint



Hub Plate, Large Pole, 1-1/2" NPS, Alum

SE-0357 -

Coating
PNC=Process No Color
P__=Paint

- Note: 1. All assemblies are supplied standard with stainless steel fasteners.
2. For double set screw option specify by including -DS in the part number, i.e., SE-0415-DS-PNC.
3. See Reference Section page v for available paint colors.



Hubs & Mounting Brackets



Hub Plate, Extended 1-1/2" NPS, Alum

SE-0381 - -
0.75=3/4" Mounting Hole PNC=Process No Color
P__=Paint



Hub Plate, Extended 1-1/2" NPS w/ 1-1/4" NPT Downhole, Alum

SE-0382 - -
0.75=3/4" Mounting Hole PNC=Process No Color
P__=Paint



Hub Plate, Extended Flat Back 1-1/2" NPS, Alum

SE-0465 - -
0.75=3/4" Mounting Hole PNC=Process No Color
P__=Paint



Hub Plate, Extended Flat Back 1-1/2" NPS w/ 1-1/4" NPT Downhole, Alum

SE-0466 - -
0.75=3/4" Mounting Hole PNC=Process No Color
P__=Paint

Note: 1. All assemblies are supplied standard with stainless steel fasteners.
2. For double set screw option specify by including -DS in the part number, i.e., SE-0381-DS-PNC.
3. See Reference Section page v for available paint colors.



Hubs & Mounting Brackets



Hub Plate, Narrow, 1-1/2" NPS, Alum

SE-4050 - Coating
PNC=Process No Color
P_=_Paint



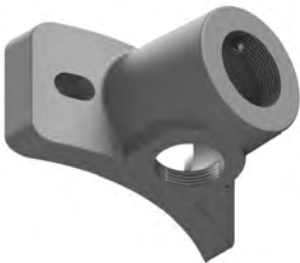
Hub Plate, Single, 1-1/2" NPS, Alum

SE-0111 - - Coating
Blank= 3/8" Dia PNC=Process No Color
0.563=9/16" Dia P_=_Paint



Hub Plate, Wood Pole 1-1/2" NPS, Alum

SE-4079 - Coating
PNC=Process No Color
P_=_Paint



Hub Plate, Wood Pole 1-1/2" NPS w/ 1-1/4" NPT Downhole, Alum

SE-4080 - Coating
PNC=Process No Color
P_=_Paint

- Note: 1. All assemblies are supplied standard with stainless steel fasteners.
2. For double set screw option specify by including -DS in the part number, i.e., SE-4050-DS-PNC.
3. See Reference Section page v for available paint colors.



Hubs & Mounting Brackets



Cabinet Mounting Bracket, Alum

SE-0425 -
Coating
PNC=Process No Color
P__=Paint



Adapter, 2-7/8" to 3-1/2" OD Pole, Alum

SE-4078 -
Coating
PNC=Process No Color
P__=Paint



Mounting Bracket, 4-1/2" OD Pole, Alum

SE-0104 -
Coating
PNC=Process No Color
P__=Paint



Mounting Hub, 1-1/2" NPS, 4-1/2" OD Pole, Alum

SE-0384 -
Coating
PNC=Process No Color
P__=Paint

Note: 1. All assemblies are supplied standard with stainless steel fasteners.
2. For double set screw option specify by including -DS in the part number, i.e., SE-0384-DS-PNC.
3. See Reference Section page v for available paint colors.



Hubs & Mounting Brackets



**Cabinet Mounting Bracket, 1/8" Thick
4-1/2" x 3-3/8" x 4-1/2", Alum**

SE-0141 -

Coating

PNC=Process No Color

P_=_Paint



**Cabinet Mounting Bracket, 1/8" Thick
4-1/2" x 3-3/8" x 2-7/8", Alum**

SE-0113 -

Coating

PNC=Process No Color

P_=_Paint



**Cabinet Mounting Bracket, 1/4" Thick
6-3/4" x 3-1/2" x 2-1/16", Alum**

SE-0118 -

Coating

PNC=Process No Color

P_=_Paint



**Cabinet Mounting Bracket, 1/4" Thick
6-3/4" x 4-1/2" x 2-1/16", Alum**

SE-0120 -

Coating

PNC=Process No Color

P_=_Paint



**Cabinet Mounting Bracket, 1/4" Thick
6-3/4" x 6" x 2-1/16", Alum**

SE-0126 -

Coating

PNC=Process No Color

P_=_Paint

Note: See Reference Section page v for available paint colors.



Hubs & Mounting Brackets



**Closure Plate, Alum
Flasher Cabinet**

SE-0117 - Coating
 PNC=Process No Color
 P__=Paint



SE-0119-PNC **Hub Gasket, 1/8" Closed Cell Sponge
Adhesive Backed
Flasher Cabinet**



SE-0148-PNC **Hub Gasket, 1/8" Neoprene
Flasher Cabinet**

This page is intentionally left blank.



Tubes & Pipes



SE-0326 - Length in Inches - Coating **Support Tube, 1-1/2" NPS, Alum**
PNC=Process No Color
P__=Paint

SE-4370 - Length in Inches - Coating **Support Tube, 2" NPS, Alum**
PNC=Process No Color
P__=Paint

SE-0491 - Length in Inches - Coating **Support Tube, 1-1/2" NPS, Steel**
PNC=Process No Color
P__=Paint



SE-0484 - Length in Inches - Coating **Pipe, 1-1/2", Sch 40, Alum**
PNC=Process No Color
P__=Paint

SE-0475 - Length in Inches - Coating **Pipe, 1-1/2", Sch 80, Alum**
PNC=Process No Color
P__=Paint

SE-0494 - Length in Inches - Coating **Pipe, 2", Sch 40, Alum**
PNC=Process No Color
P__=Paint

SE-4362 - Length in Inches - Coating **Pipe, 2", Sch 80, Alum**
PNC=Process No Color
P__=Paint

Note: 1. Standard tubes and pipes are sold in 1 inch increments. For other lengths contacts sales.
2. See Reference Section page v for available paint colors.





SE-0436 - Length in Inches - Coating **Nipple, 1-1/2" NPS, Sch 40 Alum**
 PNC=Process No Color
 P__=Paint

SE-4372 - Length in Inches - Coating **Nipple, 1-1/2" NPS, Sch 80 Alum**
 PNC=Process No Color
 P__=Paint

SE-4204 - Length in Inches - Coating **Nipple, 1-1/2" NPS x NPT, Alum**
 PNC=Process No Color
 P__=Paint

SE-0469 - Length in Inches - Coating **Nipple, 1-1/2" NPS, Steel**
 P__=Paint

SE-4200 - Length in Inches - Coating **Nipple, 1-1/2" NPT, Steel**
 P__=Paint



SE-0309 - Length - PNC **All Thread Nipple, 1-1/2" NPS, Alum**
 02.13=2-1/8"
 02.5=2-1/2"
 03=3"
 04=4"
 04.5=4-1/2"
 05=5"
 06=6"

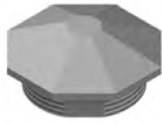
SE-0492 - Length - ZN1 **All Thread Nipple, 1-1/2" NPS, Steel**
 02.13=2-1/8"
 02.5=2-1/2"
 03=3"
 04=4"
 04.5=4-1/2"
 05=5"
 06=6"

SE-4063 - Length - ZN1 **Close Nipple, 1-1/2" NPS x NPT, Steel**
 02.5=2-1/2"
 03=3"
 03.5=3-1/2"

Note: 1. Standard tubes and pipes are sold in 1 inch increments. For other lengths contacts sales.
 2. See Reference Section page v for available paint colors.



Caps & Closures

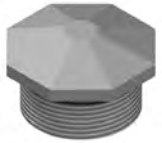


Octagonal Closure Cap, Alum 1-1/2" NPS x 1/2"

SE-4088 -

Coating

PNC=Process No Color
P__=Paint



Octagonal Closure Cap, Alum 1-1/2" NPS x 7/8"

SE-0361 -

Coating

PNC=Process No Color
P__=Paint



Octagonal Closure Cap, Alum 1-1/2" NPS x 1-3/8"

SE-0483 -

Coating

PNC=Process No Color
P__=Paint



Octagonal Closure Cap, Alum 1-1/2" NPS x 2"

SE-0442 -

Coating

PNC=Process No Color
P__=Paint



Octagonal Closure Cap, Plastic 1-1/2" NPS x 7/8"

SE-0499 -

Color

P01=Yellow
P02=Black
P05=New York State Green (forest)
P06=Automatic Green (dark olive)
P17=Platinum

Note: See Reference Section page v for available paint colors.





Fitting Cap, 1-1/2", Plastic

SE-0304 - Color
P01=Yellow
P02=Black



Fitting Cap, 1-1/4", Plastic

SE-0419 - Color
P01=Yellow
P02=Black



AS-0398-P02 Tube Cap, Black Plastic



AB-0271-PNC Cap, CGB Closure, 3/4", Plastic



SE-0479-PNC Plug, 1-1/4" Sq Hd, Threaded, Plastic,



Signal Closure Kit, Plastic

SE-3054 - Color
P01=Yellow
P02=Black
P05=New York State Green (forest)
P06=Automatic Green (dark olive)

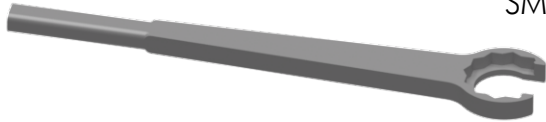
Note: 1. All assemblies are supplied standard with stainless steel fasteners.



Hardware



SM-0173-ZN2 **Roger Wrench w/ 10" Handle, Steel, Zinc 2**



SM-0337-PNC **Hex Nipple Wrench, 12 Pt, 18" Handle, Alum**

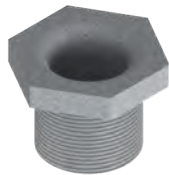


SE-0443-PNC **Hex Nipple, 1-1/2" NPS x 1-1/2" Lg, Alum**



SE-0435-ZN2 **Hex Nipple, 1-1/2" NPS x 1-1/2" Lg, Steel, Zinc 2**

SE-0644-ZN2 **Hex Nipple, 1-1/2" NPS x 1-3/4" Lg, Steel, Zinc 2**



SE-0690-GLV **Hex Nipple, 1-1/2" NPS x 1-1/2" Lg, Steel, Galv**



Check Nut, 1-1/2" NPS, Alum

SE-0448 - - PNC

Set Screws
1S=Single Set Screw
DS=Double Set Screw



Check Nut, 1-1/2" NPS, Steel, White Zinc

SE-0670 - - ZN1

Set Screws
1S=Single Set Screw
DS=Double Set Screw

Note: 1. All assemblies are supplied standard with stainless steel fasteners.



Hardware



SE-4017-ZN1 **Hex Nut, 1-1/2" NPS, Iron**



SE-0360-PNC **Lockring, Serrated, Alum**



SE-4029-BRS **Lockring, Serrated, Brass**



SE-0451-PNC **Lockring, Double Serrated, Alum**



SE-4125-PNC **Conduit Locknut, 1-1/2" NPS,
w/ Serrations, Zinc 1**



SE-4048-ZN1 **Conduit Locknut, 3/4" NPT, Zinc 1**

Hardware



SE-0375-SS **Slotted Washer, Stainless**



SE-4113-SS **Washer, Stainless**
0.39" ID x 2.44" OD x .06" THK



SE-4061-SS **Washer, Stainless**
1.97" ID x 2.61" OD x .06" THK



SE-4061-ZN1 **Washer, Steel, Zinc 1**
1.92" ID x 2.61" OD x .06" THK



SE-0367-PNC **Washer, Nylon**
1.93" ID x 2.69" OD x .12" THK



SE-0354-PNC **Gasket, Neoprene**



AB-0278-PNC **Gasket, Slotted Tri-Bolt, Neoprene**

Hardware



SE-0449-PNC **Grommet, 1-1/2" w/ Diaphragm Neoprene**



AB-0218-PNC **Adapter Ring, 3M, Alum**



SE-0477-PNC **ICC Ped Head Spacer, Alum**



SE-0577-GLV **Reducer Bushing, 1-1/2" NPT x 1/2" NPT, Galvanized Iron**

SE-0471-GLV **Reducer Bushing, 1-1/2" NPT x 3/4" NPT, Galvanized Iron**

SE-0565-GLV **Reducer Bushing, 1-1/2" NPT x 1" NPT, Galvanized Iron**



SE-4011-PNC **Insulator Bushing, 1-1/2" NPS, Black Plastic**



SE-4028-ZN1 **CGB, 3/4", .55" to .65" Wire, Zinc 1**

SE-0490-ZN1 **CGB, 3/4", .55" to .75" Wire, Zinc 1**

SE-4216-ZN1 **CGB, 1", .55" to .65" Wire, Zinc 1**

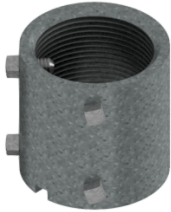
Hardware



Notched Coupling, 1-1/2" NPS x 2", Alum

SE-0346 -

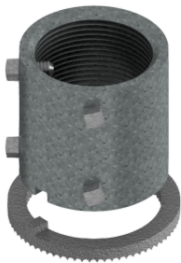
Coating
 PNC=Process No Color
 P__=Paint



Notched Coupling, 1-1/2" NPS x 2", Steel

SE-4170 -

Coating
 GLV=Galvanized
 P__=Paint



Notched Coupling, Steel 1-1/2" NPS x 2" w/ Lock Ring

SE-3254 - -

Lock Ring Coating
 Blank=Alum GLV=Galvanized
 BRS=Brass P__=Paint

Note: 1. All assemblies are supplied standard with stainless steel fasteners.
 2. For double set screw option specify by including -DS in the part number, i.e., SE-0346-DS-PNC.
 3. See Reference Section page v for available paint colors.





Slip Connector, 1-1/2" NPS, Alum

SE-0535 -

Coating
PNC=Process No Color
P__=Paint



Tube Saddle, 1-1/2" NPS, Alum

AB-0262 -

Coating
PNC=Process No Color
P__=Paint



Tube Saddle Kit, 1-1/2" NPS w/ 5/16" V-Bolts & Hardware, Alum

AB-3048 -

Coating
PNC=Process No Color
P__=Paint

Note: 1. All assemblies are supplied standard with stainless steel fasteners.
2. See Reference Section page v for available paint colors.



Banding Products

BANDING

Catalog Number	Width		Thickness		Weight		Min Breaking Strength in lbs
	Inches	mm	Inches	mm	Lbs	Kg	

TYPE 201 STAINLESS STEEL - 100 Ft. Per Roll

US-8122-04	1/2	12.70	0.030	0.76	5.1	2.4	1500
US-8122-05	5/8	15.88	0.030	0.76	6.4	3.0	1875
US-8122-06	3/4	19.05	0.030	0.76	7.7	3.6	2250

TYPE 316 STAINLESS STEEL BAND - 100 Ft. Per Roll

US-8124-04	1/2	12.70	0.030	0.76	5.1	2.4	1200
US-8124-05	5/8	15.88	0.030	0.76	6.4	3.0	1500
US-8124-06	3/4	19.05	0.030	0.76	7.7	3.6	1800

HEAVY DUTY (HD) BANDING

Heavy Duty Band is available in type 201. HD Band is designed for heavy duty applications and 1-1/4", 201 stainless steel band has a breaking strength of approximately 5500 lbs. We recommend double wrapping for maximum strength.

Catalog Number	Width		Thickness		Weight	
	Inches	mm	Inches	mm	Lbs	Kg

TYPE 201 HEAVY DUTY STAINLESS STEEL BAND - 100 Ft. Per Roll

US-8124-30	3/4	19.05	0.044	1.12	11.6	5.4
US-8124-31	1	25.40	0.044	1.12	13.7	6.4
US-8124-32	1-1/4	31.75	0.044	1.12	17.2	8.0

BAND-STRAP .024" (.061mm) THICK - 200 - 300 Stainless Steel

Catalog Number	Width		Weight		Package Quantity
	Inches	mm	Lbs	Kg	

US-8121-34	1/2	12.70	4.08	1.85	100 Ft. Roll
US-8121-35	5/8	15.88	5.09	2.31	100 Ft. Roll
US-8121-36	3/4	19.05	6.11	2.77	100 Ft. Roll
US-8121-28	1/2	12.70	8.15	3.70	200 Ft. Roll
US-8121-29	5/8	15.88	10.19	4.62	200 Ft. Roll
US-8121-30	3/4	19.05	12.23	5.54	200 Ft. Roll



BAND TOOL

The USA BAND TOOL is a forged double-plated tool capable of tensioning over 2400 lbs. The banding tool has a built-in cutter and a spring loaded gripper lever. The spin handle has a large retaining ring to keep the handle in place and can be used to hang on a tool belt.

Catalog Number	Description
----------------	-------------

US-8120-01	The USA Band Tool, Wt. 4.4 lbs (2.0 kg) - Package Quantity 1
US-8120-43	Close Quarter Tension Nut. Replaces tool tension handle when space is limited. Package Quantity 1
US-8120-06	Tension Screw/Handle kit - Package Quantity 1



HEAVY DUTY BAND TOOL

The Heavy Duty TOOL must be used with all Heavy Duty Bands. The HD TOOL is 16-1/2 inches long and is capable of up to 6,000 lbs. of tensioning.

Catalog Number	Description
----------------	-------------

US-8121-10	The Heavy Duty Tool, Wt 11.7 lbs (5.3 Kg) - Package Quantity 1
------------	--



Buckles

BUCKLES

Catalog Number	Width		Weight	
	Inches	mm	Lbs	Kg

TYPE 201 STAINLESS STEEL BUCKLES - Package Quantity 100

US-8122-54	1/2	12.70	2.1	1.0
US-8122-55	5/8	15.88	2.4	1.1
US-8122-56	3/4	19.05	3.7	1.7

TYPE 316 STAINLESS STEEL BUCKLES - Package Quantity 100

US-8124-54	1/2	12.70	2.1	1.0
US-8124-55	5/8	15.88	2.4	1.1
US-8124-56	3/4	19.05	3.7	1.7



HEAVY DUTY BUCKLES

HD Buckles are offered in widths and metals to correspond to HD Band. Clamps may be double wrapped for extra strength.

Catalog Number	Width		Weight	
	Inches	mm	Lbs	Kg

TYPE 201/301 STAINLESS STEEL - Package Quantity 25

US-8124-40	3/4	19.05	1.8	0.8
US-8124-41	1	25.40	2.4	1.1
US-8124-42	1-1/4	31.75	3.2	1.4

BAND CLIPS

Catalog Number	Width		Weight	
	Inches	mm	Lbs	Kg

TYPE 201 STAINLESS STEEL BAND CLIPS - Package Quantity 100

US-8121-54	1/2	12.70	2.1	1.0
US-8121-55	5/8	15.88	2.4	1.1
US-8121-56	3/4	19.05	3.7	1.7



A-SCREW LOCK BUCKLES - Stainless Steel

Catalog Number	Width		Weight		Package Quantity
	Inches	mm	Lbs	Kg	

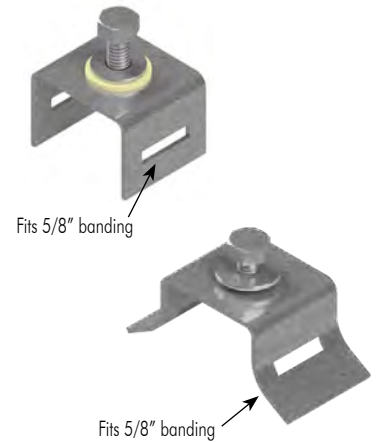
US-8127-26	3/4	19.05	3.7	1.7	25
------------	-----	-------	-----	-----	----



Brackets

SIGN MOUNTING BRACKETS

Catalog Number	Discription	Weight	
		Lbs	Kg
1-BOLT STRAIGHT LEG BRACKET (.075" THICK) - Package Quantity 50			
US-8121-00	Stainless Steel with SS Bolt, Washer and Fiber Washer	7.3	3.3
US-8120-04	Stainless Steel without Bolt or Washer		
US-8120-11	Zinc Plated Steel with Carbon Bolt, Washer and Fiber Washer	7.6	3.5
1-BOLT FLARED LEG BRACKET (.075" THICK) - Package Quantity 50			
US-8120-21	Stainless Steel with SS Bolt and Washer	7.6	3.5
US-8120-31	Zinc Plated Steel with Carbon Bolt, Washer and Fiber Washer	7.4	3.4



BOLTS, WASHERS for BRACKETS - 50 Per Box

Catalog Number	Description
US-8120-02	Bolts Stainless Steel for Stainless Brackets (5/16 - 18 x 3/4" Long Hex Head)
US-8120-03	Fiber Washers



MOUNTING PLATES - Per Each - Secure with band and buckles.

Strapping holds this extruded aluminum mounting plate to utility poles.

Catalog Number	Description	Weight Lbs/Ea
US-8125-10	Light Duty, 1-1/2" x 4-3/4" w/ 5/8"-11 x 2" Plated Bolt	0.57
US-8125-12	Heavy Duty, 1-1/2" x 5-1/4" w/ 5/8"-11 x 2" Plated Bolt	0.78
US-8125-11	Heavy Duty, 1-1/2" x 5-1/4" w/ 5/8"-11 x 3" Plated Bolt	0.84
US-8125-13	Heavy Duty, 1-1/2" x 5-1/4" w/ 3/4"-11 x 3" Plated Bolt	1.22



USA BOLT / CLAMP - Per Each

Extruded aluminum fittings with zinc plated bolt, nut and washer. To be used with USA Band for mounting pole hardware.

Catalog Number	Description	Weight Lbs/Ea
US-8500	Bolt/Clamp for use with 3/4" USA BAND band (US-8122-06). Includes plated nut, bolt 3/8" - 16 x 6" and washer.	0.43
US-8504	Bolt/Clamp for use with 1-1/4" USA BAND band (US-8124-62). Includes plated nut, bolt 5/8" - 11 x 8" and washer.	1.48



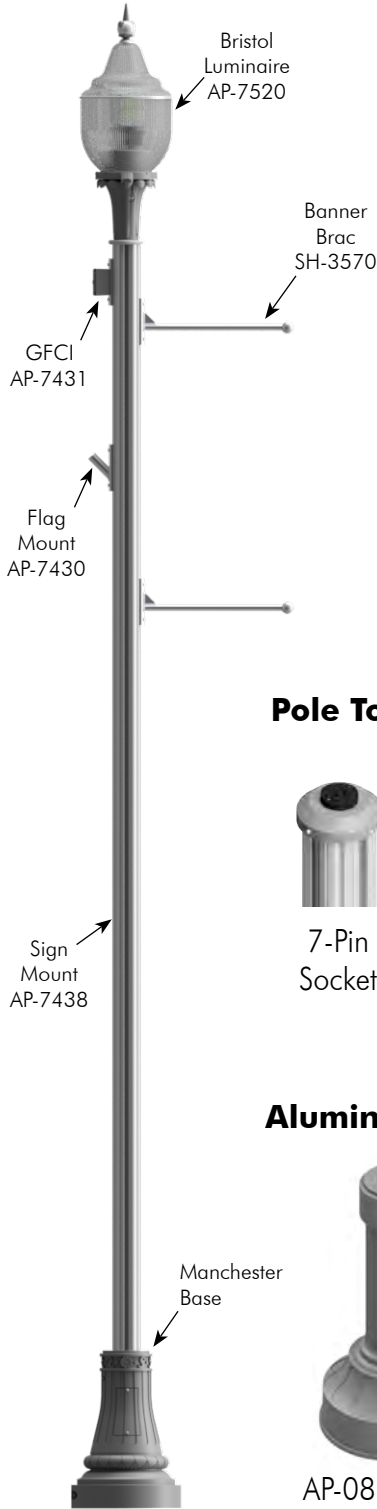
This page is intentionally left blank.

COMPONENTS

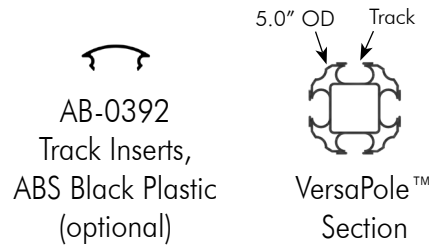


The Pelco's VersaPole is a fully customizable track mounting system that allows accessories to be installed, adjusted, and removed easily. It provides a decorative solution for midblock area lighting and includes both internal and external wiring raceways. Various pole top and base options available.

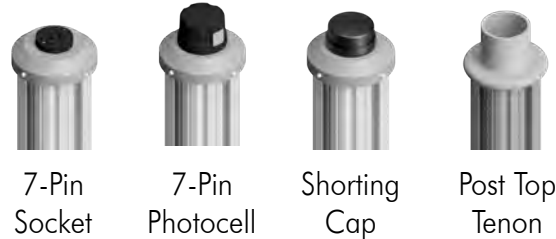
VersaPole™ Assy, Alum w/ Track Mounting System & Base



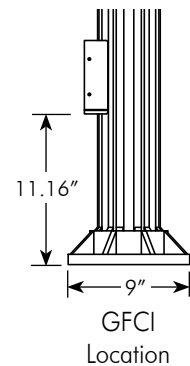
Height	Pole Top	Base	Coating
AP-8705 - <input type="checkbox"/>	- <input type="checkbox"/>	- <input type="checkbox"/>	- <input type="checkbox"/>
12=12'-0"	Blank = Pole Cap Only	LB=LeGrande	P__=Paint
14=14'-0"	7P = 7 Pin Socket	MB=Manchester	
16=16'-0"	PC=7 Pin Photocell	HB=Hamilton	
18=18'-0"	SC=Shorting Cap		
	PT2.88=2-7/8" Post Top		
	PT3.50=3-1/2" Post Top		



Pole Top Options



Aluminum Base Options:



Example
w/ Accessories

AP-8705-16-HB-P59

- Note: 1. See T15-2 through T15-4 for available track mounted accessories.
2. ABS Black Plastic Inserts may be purchased in various lengths to insert into open tracks.
3. See Reference Section page v for available paint colors.

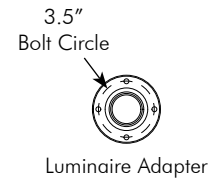


The Pelco's VersaPole is a fully customizable track mounting system that allows accessories to be installed, adjusted, and removed easily. It provides a decorative solution for midblock area lighting and includes both internal and external wiring raceways. Various pole top and base options available.



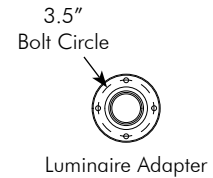
Luminaire Arm, Arch Braced, Alum VersaPole™

AP-7434 - Coating
P__=Paint



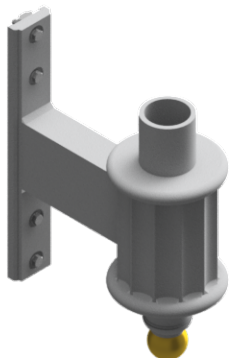
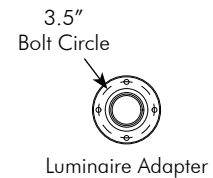
Luminaire Arm, Braced, Alum VersaPole™

AP-7432 - Coating
P__=Paint



Luminaire Arm, Shepherds Hook, Alum VersaPole™

AP-7437 - Coating
P__=Paint



Luminaire Arm, 2-7/8" OD Tenon, Alum VersaPole™

AP-7436 - Finial/Color - Coating
P__=Paint

- BL__=2" Ball
- ST__=Steeple
- SI__=Spire
- FL__=Fleur
- SE__=1-1/2" Spear



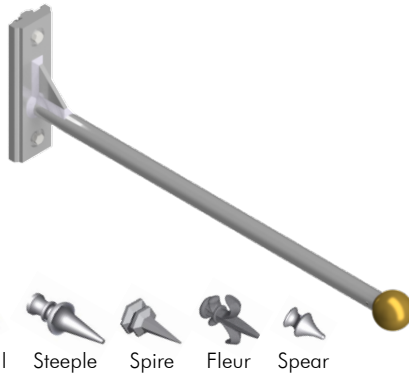
Note: Shown with ball finial. Finial may be ordered as P28 Gold or same color as assembly.

Note: 1. See T15-1 for VersaPole track mounting system.
2. See Reference Section page v for available paint colors.



VersaPole™

The Pelco's VersaPole is a fully customizable track mounting system that allows accessories to be installed, adjusted, and removed easily. It provides a decorative solution for midblock area lighting and includes both internal and external wiring raceways. Various pole top and base options available.

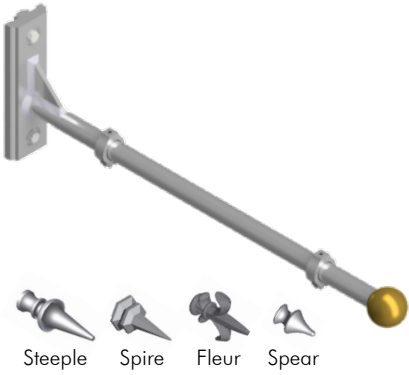


Banner Bracket, Alum VersaPole™

SH-3570 - - -

18=18" BL__=2" Ball P__=Paint
 24=24" ST__=Steeple
 SI__=Spire
 FL__=Fleur
 SE__=1-1/2" Spear

Note:
 2 assemblies required for mounting banner.
 Shown with ball finial. Finial may be ordered as P28 Gold or same color as assembly.

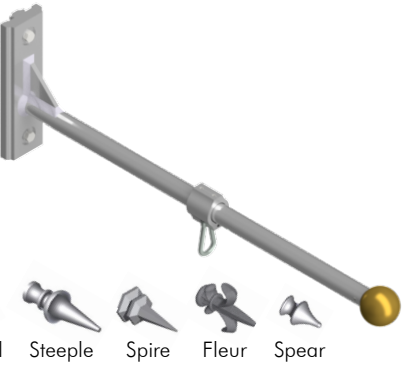


Street Name Sign Bracket, Alum VersaPole™

AP-7435 - - -

18=18" BL__=2" Ball P__=Paint
 24=24" ST__=Steeple
 30=30" SI__=Spire
 36=36" FL__=Fleur
 42=42" SE__=1-1/2" Spear
 48=48"

Note:
 Shown with ball finial. Finial may be ordered as P28 Gold or same color as assembly.



Plant Hanger, Alum VersaPole™

AP-7429 - - -

18=18" BL__=2" Ball P__=Paint
 24=24" ST__=Steeple
 SI__=Spire
 FL__=Fleur
 SE__=1-1/2" Spear

Note:
 Shown with ball finial. Finial may be ordered as P28 Gold or same color as assembly.



Camera Bracket, 1-1/2" NPS, Alum VersaPole™

SH-0559 - -

24=24" P__=Paint

Note: 1. See T15-1 for VersaPole track mounting system.
 2. All assemblies are supplied standard with stainless steel fasteners.
 3. See Reference Section page v for available paint colors.

The Pelco's VersaPole is a fully customizable track mounting system that allows accessories to be installed, adjusted, and removed easily. It provides a decorative solution for midblock area lighting and includes both internal and external wiring raceways. Various pole top and base options available.



Signal Mount, Upper & Lower Arms, Alum VersaPole™

SE-3350 - Coating
P__=Paint



Flag Mount, for 1" Dia Rod, Alum VersaPole™



AP-7430 - Coating
P__=Paint

Equipment Mount, 1-1/2" NPT, Alum VersaPole™



SH-0563 - Length - Coating
04=4" P__=Paint

Note: 1. See T15-1 for VersaPole track mounting system.
2. See Reference Section page v for available paint colors.



VersaPole™

The Pelco's VersaPole is a fully customizable track mounting system that allows accessories to be installed, adjusted, and removed easily. It provides a decorative solution for midblock area lighting and includes both internal and external wiring raceways. Various pole top and base options available.



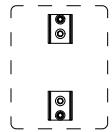
Sign Mount w/ 5/16" Hardware, Alum VersaPole™

AP-7438 -

Coating



P__=Paint



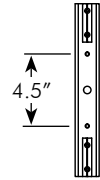
Adapter for Shepherds Hook, Alum VersaPole™

AP-7104 -

Coating



P__=Paint



Shepherds Hook Mount



GFCI Receptacle, Weatherproof, Alum VersaPole™

AP-7431 -

Coating



P__=Paint

This page is intentionally left blank.



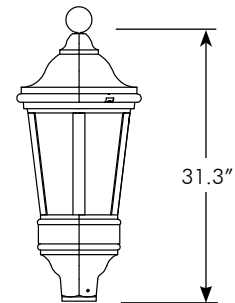
Windsor Series Luminaire

The Windsor LED carriage type luminaire is antique in appearance with a modular electrical unit for easy service access. The lighting panels have unique photometrics that give the appearance of multiple light sources. The Windsor Luminaire can be customized by selecting various options as indicated below.

AP-7521	-	Wattage	-	Voltage	-	Photocell	-	Tenon Adapter	-	Finial/Color	-	Powder Coat
		<input type="text"/>		<input type="text"/>		<input type="text"/>		<input type="text"/>		<input type="text"/>		<input type="text"/>
		30W=30 Watt		UNV=Universal		NPC=None 7P=Socket Only PC=w/ Photocell		Blank=None TA=Tenon (2-7/8" OD post to 3-1/2" ID Fixture)		BL28=3" Ball, Color ST28=Steeple, Color SI28=Spire, Color FL28=Fleur, Color		P59=Textured Black P30=Automatic Green P39=Bronze

Notes:

1. All LED Luminaires use 7-pin socket.
2. Universal voltage of LED Luminaires are 120-240V.
3. 59 refers to Textured Black powder coat color.
28 refers to Gold powder coat color.
See Reference Section for additional paint colors available.



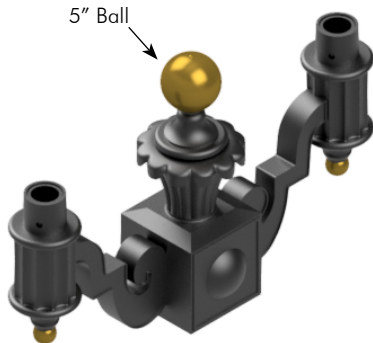
Note: 1. See Reference Section for available paint colors.



Arms, Decorative Twin Mounts

Pelco's twin arms can be mounted to a fluted or tapered pole. The twin arm mount can accommodate the Bristol or Windsor luminaire and are available with a variety of finials.

Twin Arm Assy, Fits 2-7/8" Pole Tenon, Alum w/ 3-1/2" Luminaire Tenons, 33" CTC



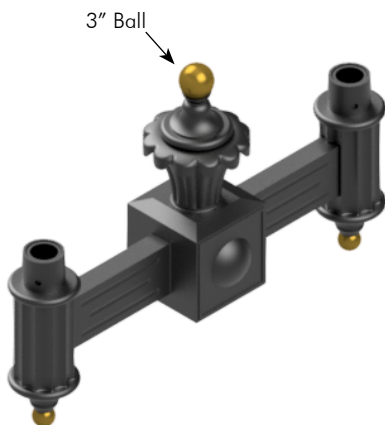
AP-8203 - -
 Finial/Color Paint
 BL__=2" & 5" Ball P__=Paint
 SI__=Spire
 SE__=Steeple
 FL__=Fleur



Note:

Finial may be ordered as P28 Gold or same color as assembly, i.e., AP-8203-BL28-P59 (as shown), for Gold Ball finial and Textured Black assembly.

Twin Arm Assy, Fits 2-7/8" Pole Tenon, Alum w/ 3-1/2" Luminaire Tenons, 35" CTC



AP-8374 - -
 Finial/Color Paint
 BL__=2" & 3" Ball P__=Paint
 SI__=Spire
 SE__=Steeple
 FL__=Fleur



Note:

Finial may be ordered as P28 Gold or same color as assembly, i.e., AP-8374-BL28-P59 (as shown), for Gold Ball finial and Textured Black assembly.

- Note: 1. Mounting hardware not included.
 2. See Reference Section for available paint colors.

This page is intentionally left blank.



Post Top Luminaire Poles

Pelco manufactures a variety of Lighting Poles, straight, fluted, and tapered, that are available for post top mounted luminaires. Poles vary in size, shape, height, and material, and are designed to fit any requirement.

Light Pole, 3-1/2" OD Steel w/ Hand Hole

AP-0220 -

Height	Coating
05=5'	P__=Paint
08=8'	
10=10'	
12=12'	
14=14'	

2.38" x 3.5"
Hand Hole

10"

5.5" Bolt Circle

Light Pole, 3-1/2" OD w/ 2-7/8" OD Tenon Steel w/ Hand Hole

AP-0221 -

Height	Coating
05=5'	P__=Paint
08=8'	
10=10'	
12=12'	
14=14'	

2.38" x 3.5"
Hand Hole

10"

5.5" Bolt Circle

ABS Bases:

AP-0804-3.5-6.7 Old Towne I

AP-0803-3.5-6.7 Rochester

AP-0810-3.5-6.7 Hamilton

Anchors:

AP-1046-GLV Anchor Bolts Set, 1/2"-13NC

AP-1049-GLV Anchor Bolt Cage, 1/2"-13NC

Aluminum Bases:

AP-0801-3.5 Old Towne I

AP-0814-3.5 LeGrande

AP-0811-3.5 Country Club

AP-0820-3.5 Huntington

PB-5416-3.5 Octagonal

AP-0817-3.5 Oxford

Note: 1. For additional information on Bases see page T15-27 through T15-31.
 2. For Anchors see sections T11 and T12.
 3. See Reference Section page v for available paint colors.

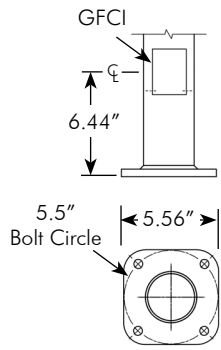


Post Top Luminaire Poles

Pelco manufactures a variety of Lighting Poles, straight, fluted, and tapered, that are available for post top mounted luminaires. Poles vary in size, shape, height, and material, designed to fit any need.

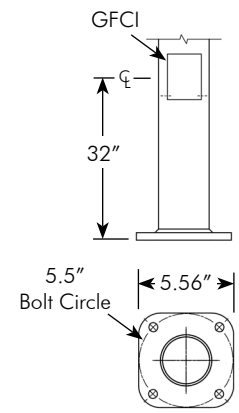
Light Pole, 3-1/2" OD Steel w/ Lower GFCI Option

AP-0302 -	Height	GFCI	Coating
	<input type="checkbox"/>	<input type="checkbox"/>	<input type="checkbox"/>
	05=5'	Blank=w/o Kit	P__=Paint
	08=8'	GFCI=w/ Kit	
	10=10'		
	12=12'		
	14=14'		



Light Pole, 3-1/2" OD Steel w/ GFCI Option

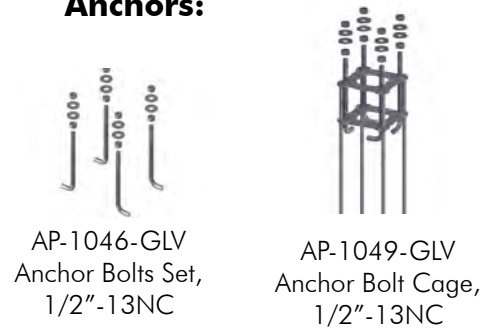
AP-0376 -	Height	GFCI	Coating
	<input type="checkbox"/>	<input type="checkbox"/>	<input type="checkbox"/>
	05=5'	Blank=w/o Kit	P__=Paint
	08=8'	GFCI=w/ Kit	
	10=10'		
	12=12'		
	14=14'		



ABS Bases:



Anchors:



Aluminum Bases:



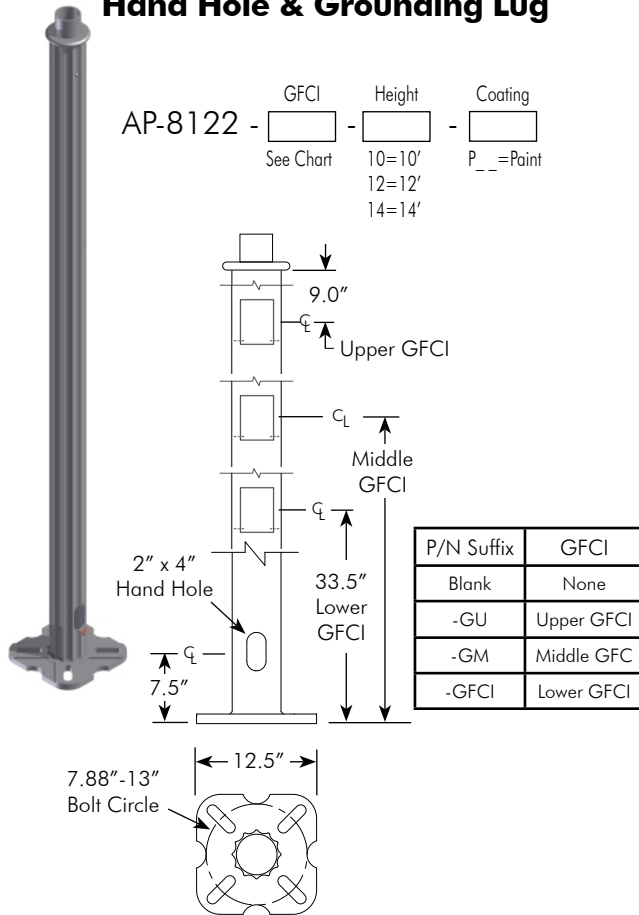
Note: 1. For additional information on Bases see page T15-27 through T15-31.
 2. For Anchors see sections T11 and T12.
 3. See Reference Section page v for available paint colors.



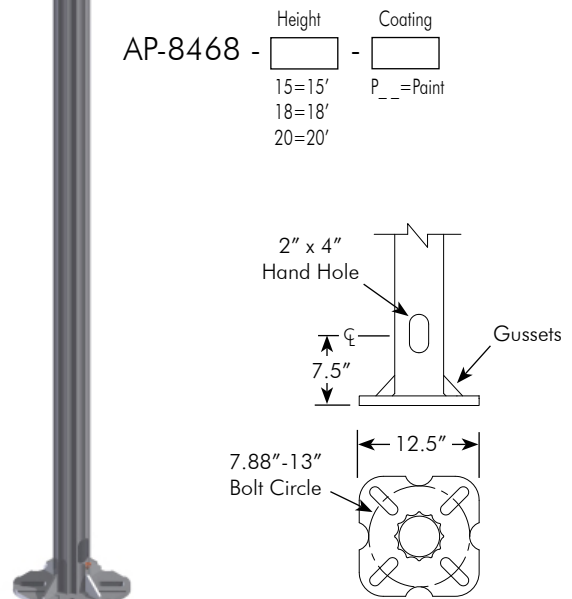
Post Top Luminaire Poles

Pelco manufactures a variety of Lighting Poles, straight, fluted, and tapered, that are available for post top mounted luminaires. Poles vary in size, shape, height, and material, designed to fit any need.

Light Pole, 4" Fluted, Alum w/ 3-1/2" OD x 2-7/8" Long Tenon, Hand Hole & Grounding Lug



Light Pole, 4" Fluted, Alum w/ 3-1/2" OD x 2-7/8" Long Tenon, Hand Hole & Grounding Lug



Anchors:



AP-1019-GLV
Anchor Bolts Set,
3/4"-10NC



AP-1089-GLV
Anchor Bolt Cage,
3/4"-10NC

Aluminum Bases:



AP-0814-5.09
LeGrande



AP-0819-5.09
Manchester



AP-0816-5.09
Hamilton



PB-5414-5.09
Octagonal



AP-0817-5.09
Oxford

Note: 1. For additional information on Bases see page T15-27 through T15-31.
2. For Anchors see sections T11 and T12.
3. See Reference Section page v for available paint colors.



This page is intentionally left blank.



Post Top Luminaire Poles

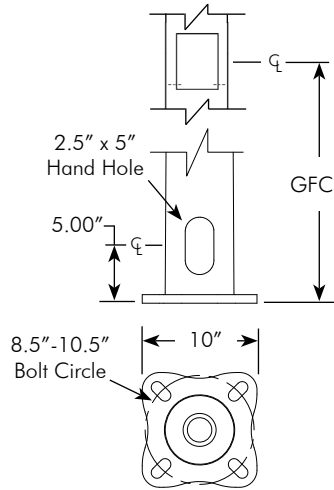
Pelco manufactures a variety of Lighting Poles, straight, fluted, and tapered, that are available for post top mounted luminaires. Poles vary in size, shape, height, and material, designed to fit any need.



Light Pole, Fluted Tapered, Steel w/ 3-1/2" OD x 3-1/2" Long Tenon, GFCI Option

AP-8700 -

Height	GFCI	Coating
8=8' 10=10'	Blank=w/o Kit GFCI=w/ Kit	GLV=Galvanized P__=Paint



ABS Bases:



AP-0809-5.63-13.13
Rochester II
(w/o GFCI)



AP-0810-5.81-13.13
Hamilton

Anchors:



AP-1019-GLV
Anchor Bolts Set,
3/4"-10NC



AP-1089-GLV
Anchor Bolt Cage,
3/4"-10NC

Aluminum Bases:



AP-0814-5.63
LeGrande
(w/o GFCI)



AP-0819-5.75
Manchester

AP-0816-5.75
Hamilton



AP-0817-6F
Oxford



Note: 1. For additional information on Bases see page T15-27 through T15-31.
2. For Anchors see sections T11 and T12.
3. See Reference Section page v for available paint colors.



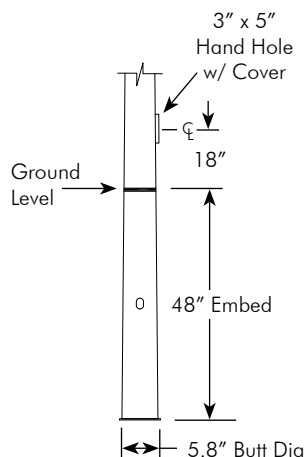
Post Top Luminaire Poles

Pelco manufactures a variety of Lighting Poles, straight, fluted, and tapered, that are available for post top mounted luminaires. Poles vary in size, shape, height, and material, designed to fit any need.

Direct Bury Light Pole, Tapered Steel, 11 Gauge 5.8" Butt x 19' Tall 3-1/2" OD x 3" Long Tenon w/ Hand Hole Cover & Grounding Lug

AP-3056 -

Coating
P__=Paint



ABS Bases:



AP-0809-4.88-5.63
Rochester II



AP-0803-4.88-5.63
Rochester I

Aluminum Bases:

Ground Level →



AP-0814-4.88
LeGrande



AP-0811-5.00
Country Club



AP-0819-5.00
Manchester



AP-0816-5.00
Hamilton



AP-0817-5.25
Oxford

Note: 1. For additional information on Bases see page T15-27 through T15-31.
2. See Reference Section page v for available paint colors.



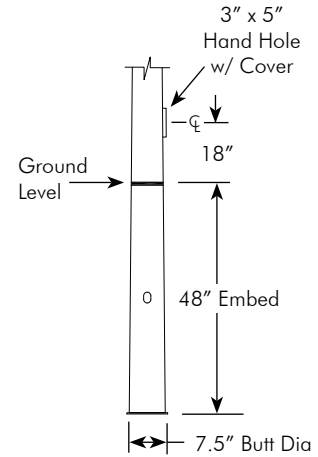
Post Top Luminaire Poles

Pelco manufactures a variety of Lighting Poles, straight, fluted, and tapered, that are available for post top mounted luminaires. Poles vary in size, shape, height, and material, designed to fit any need.



**Direct Bury Light Pole, Tapered Steel, 11 Gauge
 7.5" Butt x 25' Tall
 3-1/2" OD x 3" Long Tenon
 w/ Hand Hole Cover & Grounding Lug**

AP-3057 - Coating
 P__=Paint



ABS Bases:



AP-0809-6.56-7.25
 Rochester II

Aluminum Bases:

Ground Level →



AP-0802-6.63
 Ornamental



AP-0819-6.69
 Manchester

AP-0816-6.75
 Hamilton



AP-0817-6.88
 Oxford

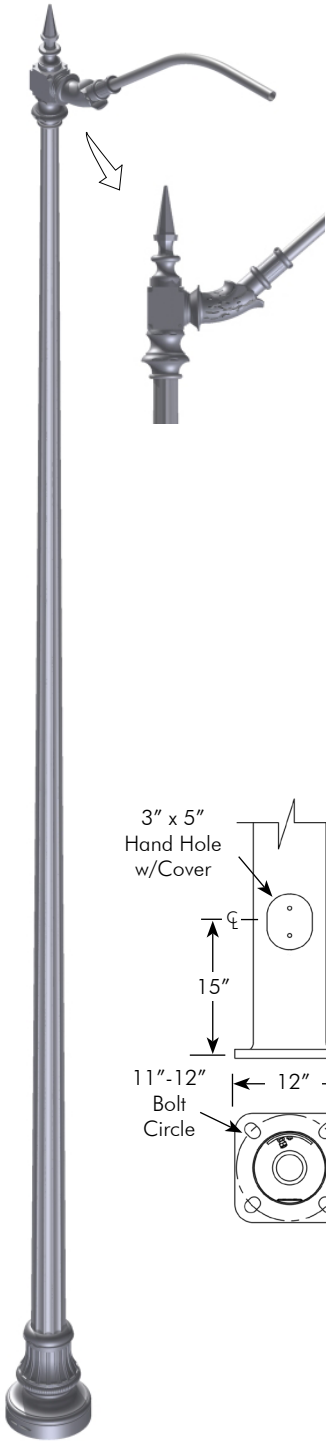


Note: 1. For additional information on Bases see page T15-27 through T15-31.
 2. See Reference Section page v for available paint colors.



Majestic Roadway Luminaire Poles

The Majestic Roadway Lighting Poles are available for single or twin luminaires and with 6' or 8' arms fabricated with a 29" rise. The fluted tapered steel pole offers great strength and durability, with the Hamilton base completing the classic decorative look.



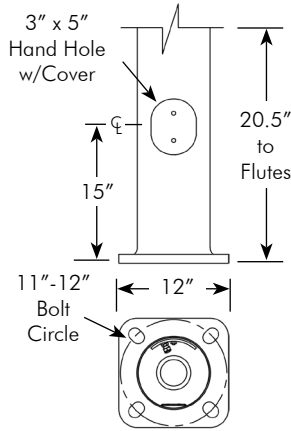
Pole Height	Arm Length	Arm	Part Number	Allowable EPA (ft ²) per arm at 90 mph with max. luminaire weight of 60 lbs	Allowable EPA (ft ²) per arm at 100 mph with max. luminaire weight of 60 lbs
30'-0"	6'-0"	Single	AP-8327	7.0	5.6
	8'-0"	Single	AP-8347	4.6	3.6

Notes:

Majestic Poles come standard with Hamilton Base. Optional base w/ Riser for use with PB-5431 break-away bolts can be specify by adding -BR, i.e., AP-8327-BR-P59.

EPA=Projected area of luminaire multiplied by coefficient of drag

Compliant with AASHTO 2013



Anchors:



AP-1007-3-GLV
Anchor Bolts Set,
1"-8NC
w/ Template



AP-3129-GLV
Anchor Bolt Cage,
1"-8NC

Aluminum Bases:



AP-0816-7.75
Hamilton
(Standard)



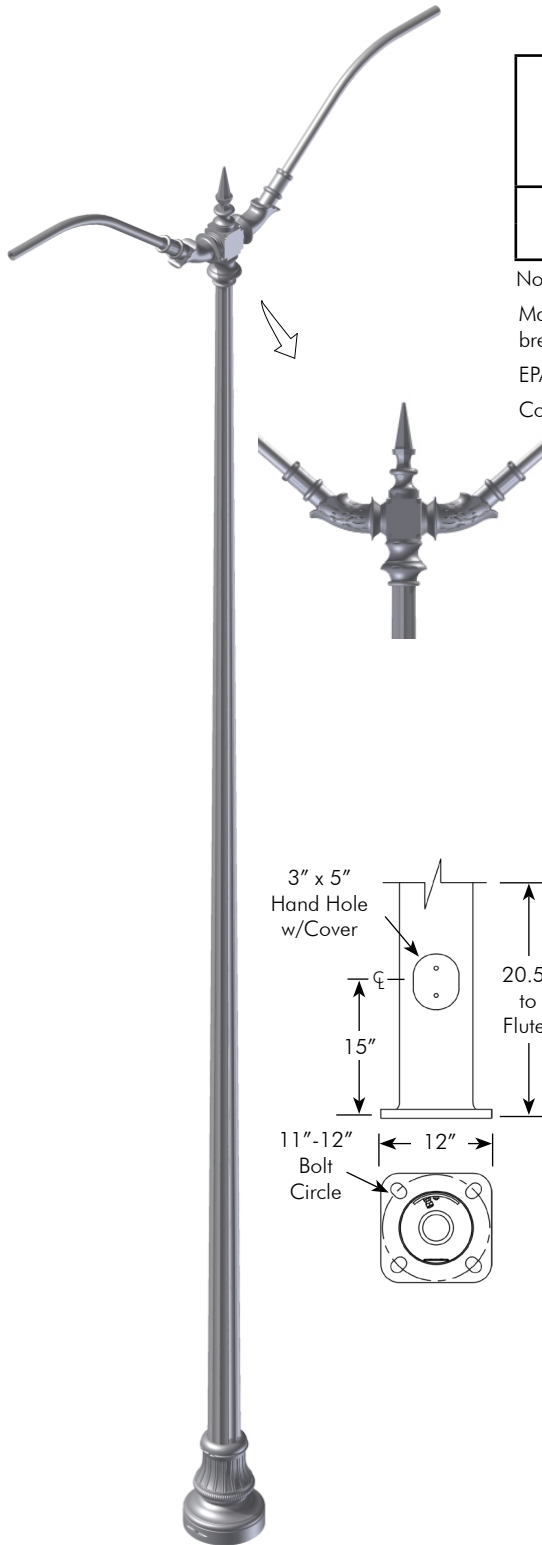
AP-0823-7.75
Hamilton w/ Riser
(Optional)

- Note: 1. For additional information on Bases see page T15-27 through T15-31.
 2. For Anchors see sections T11 and T12.
 3. See Reference Section page v for available paint colors.



Majestic Roadway Luminaire Poles

The Majestic Roadway Lighting Poles are available for single or twin luminaires and with 6' or 8' arms fabricated with a 29" rise. The fluted tapered steel pole offers great strength and durability, with the Hamilton base completing the classic decorative look.



Pole Height	Arm Length	Arm	Part Number	Allowable EPA (ft ²) per arm at 90 mph with max. luminaire weight of 60 lbs	Allowable EPA (ft ²) per arm at 100 mph with max. luminaire weight of 60 lbs
30'-0"	6'-0"	Single	AP-8328	7.0	5.6
	8'-0"	Single	AP-8348	4.6	3.6

Notes:

Majestic Poles come standard with Hamilton Base. Optional base w/ Riser for use with PB-5431 break-away bolts can be specify by adding -BR, i.e., AP-8328-BR-P59.

EPA=Projected area of luminaire multiplied by coefficient of drag

Compliant with AASHTO 2013

Anchors:



AP-1007-3-GLV
Anchor Bolts Set,
1"-8NC
w/ Template



AP-3129-GLV
Anchor Bolt Cage,
1"-8NC

Aluminum Bases:



AP-0816-7.75
Hamilton
(Standard)



AP-0823-7.75
Hamilton w/ Riser
(Optional)

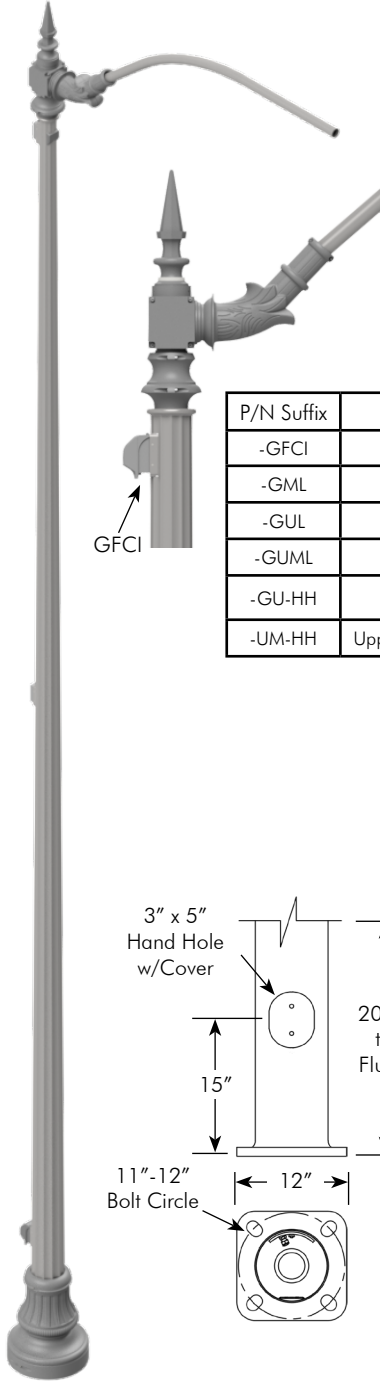
- Note: 1. For additional information on Bases see page T15-27 through T15-31.
 2. For Anchors see sections T11 and T12.
 3. See Reference Section page v for available paint colors.



Majestic Roadway Luminaire Poles

The Majestic Roadway Lighting Poles are available for single or twin luminaires and with 6' or 8' arms fabricated with a 29" rise. The fluted tapered steel pole offers great strength and durability, with the Hamilton base completing the classic decorative look. Available with upper, middle, or lower GFCI and handle hole.

With GFCI Options



Pole Height	Arm Length	Arm	Part Number	Allowable EPA (ft ²) per arm at 90 mph with max. luminaire weight of 60 lbs	Allowable EPA (ft ²) per arm at 100 mph with max. luminaire weight of 60 lbs
20'-0"	6'-0"	Single	AP-8495	-	-
30'-0"	8'-0"	Single	AP-8381	4.6	3.6

Notes:

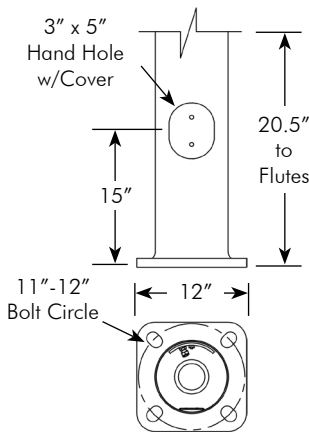
Majestic Poles come standard with Hamilton Base. Optional base w/ Riser for use with PB-5431 break-away bolts can be specify by adding -BR, i.e., AP-8381-BR-P59.

For GFCI and Hand Hole options see chart. Specify by adding suffix to part number , i.e., AP-8495-GFCI-P59 for a lower GFCI only. Lower GFCI not available with base riser option.

EPA=Projected area of luminaire multiplied by coefficient of drag

Compliant with AASHTO 2013

P/N Suffix	GFCI & Hand Hole	GFCI Qty
-GFCI	Lower GFCI only	1
-GML	Middle & Lower GFCI	2
-GUL	Upper & Lower GFCI	2
-GUML	Upper, Middle, & Lower GFCI	3
-GU-HH	Upper GFCI & Lower Hand Hole	1
-UM-HH	Upper & Middle GFCI & Lower Hand Hole	2



Anchors:



AP-1007-3-GLV
Anchor Bolts Set,
1"-8NC
w/ Template



AP-3129-GLV
Anchor Bolt Cage,
1"-8NC

Aluminum Bases:



AP-0816-7.75
Hamilton
(Standard)



AP-0823-7.75
Hamilton w/ Riser
(Optional)

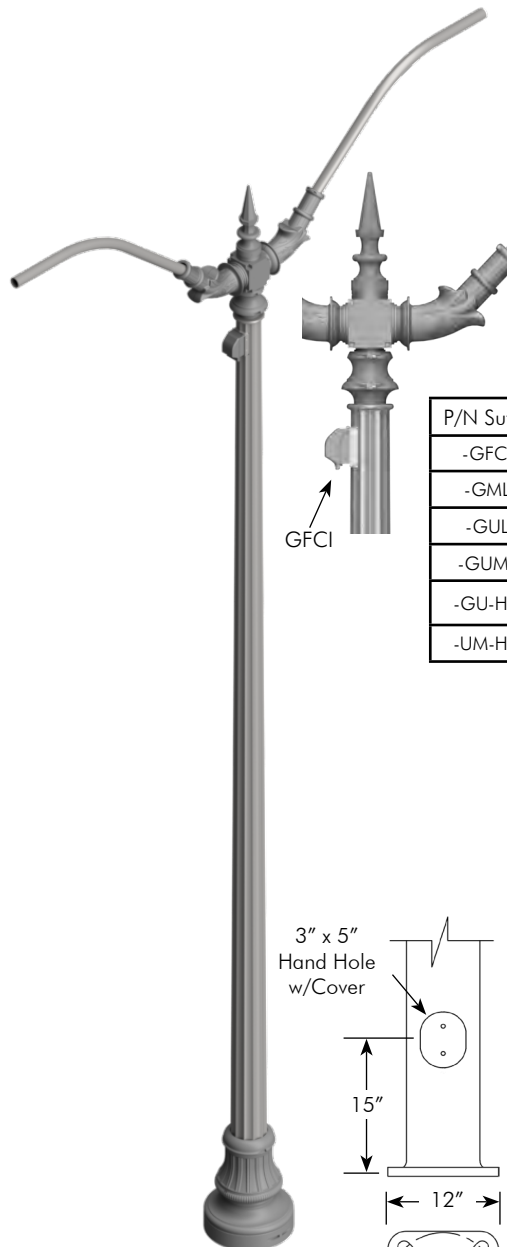
- Note: 1. For additional information on Bases see page T15-27 through T15-31.
2. For Anchors see sections T11 and T12.
3. See Reference Section page v for available paint colors.



Majestic Roadway Luminaire Poles

The Majestic Roadway Lighting Poles are available for single or twin luminaires and with 6' or 8' arms fabricated with a 29" rise. The fluted tapered steel pole offers great strength and durability, with the Hamilton base completing the classic decorative look. Available with upper, middle, or lower GFCI and handle hole.

With GFCI Options



Pole Height	Arm Length	Arm	Part Number	Allowable EPA (ft ²) per arm at 90 mph with max. luminaire weight of 60 lbs	Allowable EPA (ft ²) per arm at 100 mph with max. luminaire weight of 60 lbs
20'-0"	6'-0"	Twin	AP-8496	-	-
30'-0"	8'-0"	Twin	AP-8382	4.6	3.6

Notes:

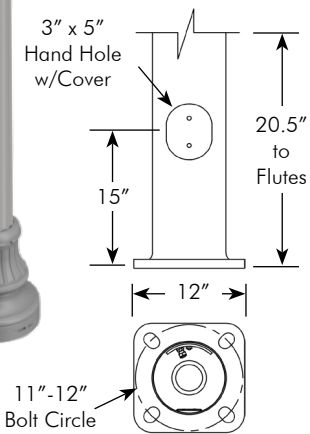
Majestic Poles come standard with Hamilton Base. Optional base w/ Riser for use with PB-5431 break-away bolts can be specify by adding -BR, i.e., AP-8382-BR-P59.

For GFCI and Hand Hole options see chart. Specify by adding suffix to part number, i.e., AP-8496-GFCI-P59 for a lower GFCI only. Lower GFCI not available with base riser option.

EPA=Projected area of luminaire multiplied by coefficient of drag

Compliant with AASHTO 2013

P/N Suffix	GFCI & Hand Hole	GFCI Qty
-GFCI	Lower GFCI only	1
-GML	Middle & Lower GFCI	2
-GUL	Upper & Lower GFCI	2
-GUML	Upper, Middle, & Lower GFCI	3
-GU-HH	Upper GFCI & Lower Hand Hole	1
-UM-HH	Upper & Middle GFCI & Lower Hand Hole	2



Anchors:



AP-1007-3-GLV
Anchor Bolts Set,
1"-8NC
w/ Template



AP-3129-GLV
Anchor Bolt Cage,
1"-8NC

Aluminum Bases:



AP-0816-7.75
Hamilton
(Standard)



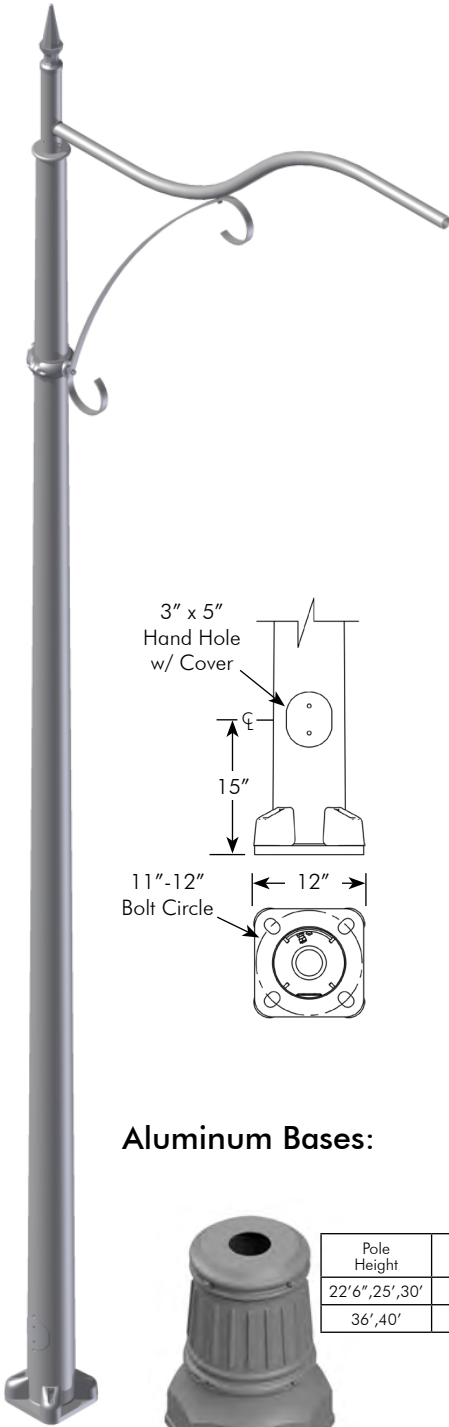
AP-0823-7.75
Hamilton w/ Riser
(Optional)

- Note: 1. For additional information on Bases see page T15-27 through T15-31.
 2. For Anchors see sections T11 and T12.
 3. See Reference Section page v for available paint colors.



Traditional Roadway Luminaire Poles

The Traditional Roadway Luminaire Poles are range from 22-1/2' through 40' heights. They are provided with either 6' or 8' single or twin arms fabricated with a 26" rise and decorative scroll. Steel tapered poles offer an affordable graceful look that can accept a variety of decorative bases or be provided with simple nut covers.



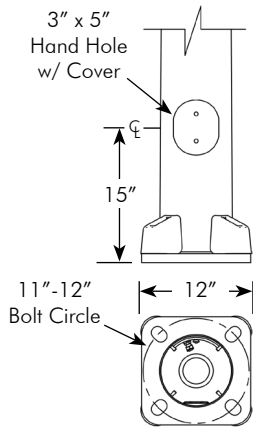
Pole Height	Arm Length	Arm	Part Number	Allowable EPA (ft ²) per arm at 90 mph with max. luminaire weight of 60 lbs	Allowable EPA (ft ²) per arm at 100 mph with max. luminaire weight of 60 lbs
22'-6"	8'-0"	Single	AP-8489	5.0	3.9
25'-0"	8'-0"	Single	AP-8556	4.8	3.8
30'-0"	8'-0"	Single	AP-8301	4.6	3.6
35'-0"	6'-0"	Single	AP-8578	-	-
40'-0"	6'-0"	Single	AP-8577	-	-

Note:

Bolt/Nut Covers are available. Specify by adding -BC in the part number, i.e., AP-8301-BC-P59

EPA=Projected area of luminaire multiplied by coefficient of drag

Compliant with AASHTO 2013



Anchors:



AP-1007-3-GLV
1"-8NC
(22'6", 25', 30' Poles)



AP-3129-GLV
1"-8NC
(22'6", 25', 30' Poles)

AP-1020-GLV
1-1/4"-7NC
(36', 40' Poles)

AP-3146-GLV
1-1/4"-7NC
(36', 40' Poles)

Aluminum Bases:

Pole Height	Base ID
22'6", 25', 30'	7.75"
36', 40'	8.75"

Hamilton Base	Pole Height	Base ID
AP-0816	22'6", 25', 30'	7.80"
AP-0823	36', 40'	8.69"



PB-5384 Rochester

Pole Height	Base ID
22'6", 25', 30'	7.69"
36', 40'	8.69"



AP-0802 Ornamental



Hamilton

Pole Height	Base ID
22'6", 25', 30'	8.00"
36', 40'	9.00"



AP-0817 Oxford

Note: 1. For additional information on Bases see page T15-27 through T15-31.

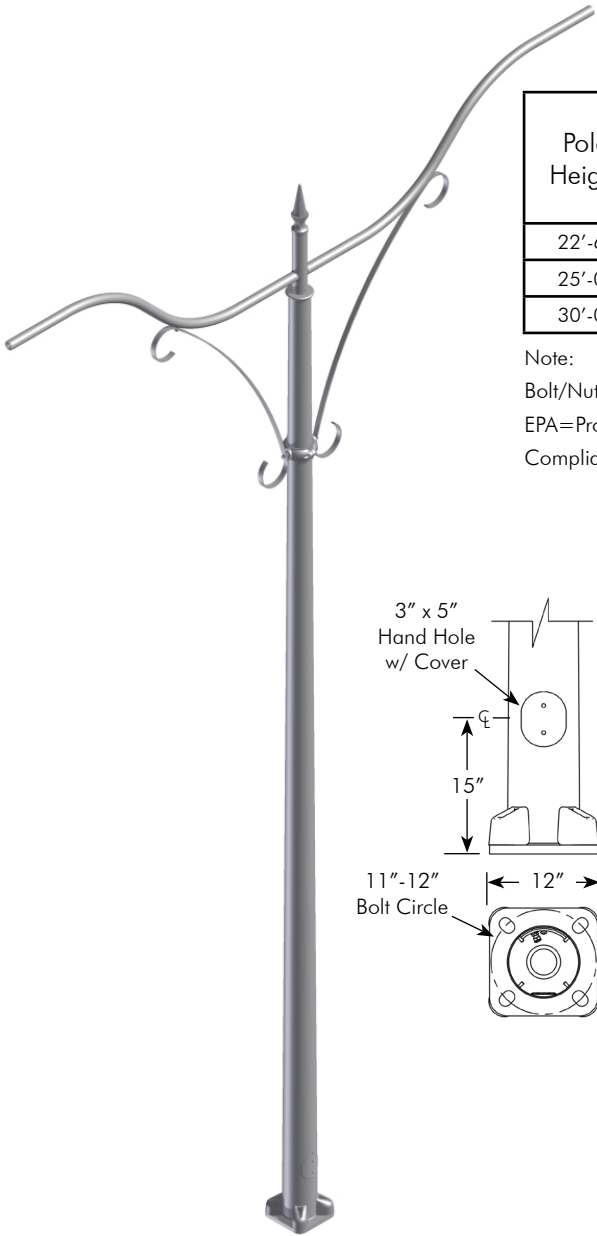
2. For Anchors see sections T11 and T12.

3. See Reference Section page v for available paint colors.



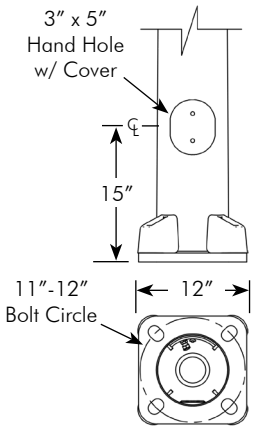
Traditional Roadway Luminaire Poles

The Traditional Roadway Luminaire Poles are range from 22-1/2' through 40' heights. They are provided with either 6' or 8' single or twin arms fabricated with a 26" rise and decorative scroll. Steel tapered poles offer an affordable graceful look that can accept a variety of decorative bases or be provided with simple nut covers.



Pole Height	Arm Length	Arm	Part Number	Allowable EPA (ft ²) per arm at 90 mph with max. luminaire weight of 60 lbs	Allowable EPA (ft ²) per arm at 100 mph with max. luminaire weight of 60 lbs
22'-6"	8'-0"	Twin	AP-8490	5.0	3.9
25'-0"	8'-0"	Twin	AP-8563	4.8	3.8
30'-0"	8'-0"	Twin	AP-8302	4.6	3.6

Note:
 Bolt/Nut Covers are available. Specify by adding -BC in the part number, i.e., AP-8302-BC-P59
 EPA=Projected area of luminaire multiplied by coefficient of drag
 Compliant with AASHTO 2013



Anchors:



AP-1007-3-GLV
Anchor Bolt Set,
1"-8NC



AP-3129-GLV
Anchor Bolt Cage,
1"-8NC

Aluminum Bases:



PB-5384 Rochester

Pole Height	Base ID
22'6", 25', 30'	7.69"



AP-0802 Ornamental

Pole Height	Base ID
22'6", 25', 30'	7.75"

Pole Height	Base ID
22'6", 25', 30'	7.80"



Hamilton

Pole Height	Base ID
22'6", 25', 30'	8.00"



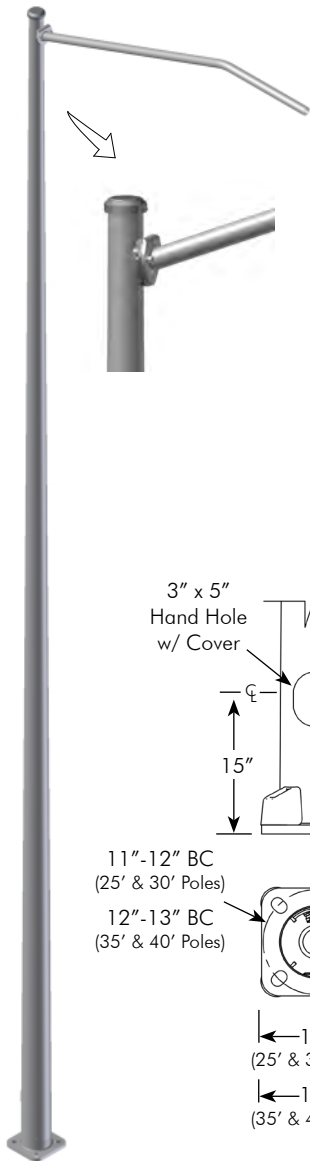
AP-0817 Oxford

Note: 1. For additional information on Bases see page T15-27 through T15-31.
 2. For Anchors see sections T11 and T12.
 3. See Reference Section page v for available paint colors.



Simplex Roadway Luminaire Poles

The Simplex Roadway Luminaire Poles are available in 25' through 40' heights. They are provided with either 6' or 8' single or twin arms fabricated with a 24" rise. The steel tapered poles can accept a variety of decorative bases or be provided with simple nut covers.



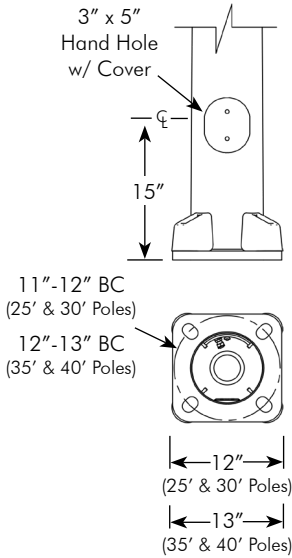
Pole Height	Arm Length	Arm	Part Number	Allowable EPA (ft ²) per arm at 90 mph with max. luminaire weight of 60 lbs	Allowable EPA (ft ²) per arm at 100 mph with max. luminaire weight of 60 lbs
25'-0"	6'-0"	Single	AP-8571-25-6	6.8	5.4
	8'-0"	Single	AP-8571-25-8	4.5	3.5
30'-0"	6'-0"	Single	AP-8571-30-6	6.5	5.2
	8'-0"	Single	AP-8571-30-8	4.3	3.3
35'-0"	6'-0"	Single	AP-8571-35-6	6.3	5.0
	8'-0"	Single	AP-8571-35-8	4.1	3.2
40'-0"	6'-0"	Single	AP-8571-40-6	6.1	4.8
	8'-0"	Single	AP-8571-40-8	4.0	3.1

Note:

Bolt/Nut Covers are available. Specify by adding -BC in the part number, i.e., AP-8571-30-6-BC-GLV.

EPA=Projected area of luminaire multiplied by coefficient of drag

Compliant with AASHTO 2013



Anchors:



AP-1007-3-GLV
1"-8NC
(25' & 30' Poles)

AP-1020-GLV
1-1/4"-7NC
(35' & 40' Poles)



AP-3129-GLV
1"-8NC
(25' & 30' Poles)

AP-3146-GLV
1-1/4"-7NC
(35' & 40' Poles)

Aluminum Bases:



Pole Height	Base ID
25'	7.13"
30'	7.63"
35'	8.13"
40'	8.63"

PB-5384 Rochester



Pole Height	Base ID
25'	7.25"
30'	7.75"
35'	8.25"
40'	8.75"

AP-0802 Ornamental



Pole Height	Base ID
25'	7.31"
30'	7.88"
35'	N/A
40'	N/A

AP-0816 Hamilton

Pole Height	Base ID
25'	7.50"
30'	8.00"
35'	8.44"
40'	9.00"



AP-0817 Oxford

Note: 1. For additional information on Bases see page T15-27 through T15-31.

2. For Anchors see sections T11 and T12.

3. See Reference Section page v for available paint colors.



Simplex Roadway Luminaire Poles

The Simplex Roadway Luminaire Poles are available in 25' through 40' heights. They are provided with either 6' or 8' single or twin arms fabricated with a 24" rise. The steel tapered poles can accept a variety of decorative bases or be provided with simple nut covers.



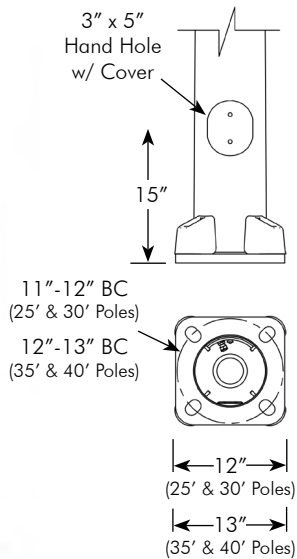
Pole Height	Arm Length	Arm	Part Number	Allowable EPA (ft ²) per arm at 90 mph with max. luminaire weight of 60 lbs	Allowable EPA (ft ²) per arm at 100 mph with max. luminaire weight of 60 lbs
25'-0"	6'-0"	Twin	AP-8572-25-6	6.8	5.4
	8'-0"	Twin	AP-8572-25-8	4.5	3.5
30'-0"	6'-0"	Twin	AP-8572-30-6	6.5	5.2
	8'-0"	Twin	AP-8572-30-8	4.3	3.3
35'-0"	6'-0"	Twin	AP-8572-35-6	6.3	5.0
	8'-0"	Twin	AP-8572-35-8	4.1	3.2
40'-0"	6'-0"	Twin	AP-8572-40-6	6.1	4.8
	8'-0"	Twin	AP-8572-40-8	4.0	3.1

Note:

Bolt/Nut Covers are available. Specify by adding -BC in the part number, i.e., AP-8572-30-6-BC-GLV.

EPA=Projected area of luminaire multiplied by coefficient of drag

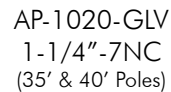
Compliant with AASHTO 2013



Anchors:



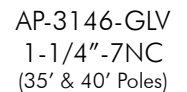
AP-1007-3-GLV
1"-8NC
(25' & 30' Poles)



AP-1020-GLV
1-1/4"-7NC
(35' & 40' Poles)



AP-3129-GLV
1"-8NC
(25' & 30' Poles)



AP-3146-GLV
1-1/4"-7NC
(35' & 40' Poles)

Aluminum Bases:



Pole Height	Base ID
25'	7.13"
30'	7.63"
35'	8.13"
40'	8.63"

PB-5384 Rochester



Pole Height	Base ID
25'	7.25"
30'	7.75"
35'	8.25"
40'	8.75"

AP-0802 Ornamental



Pole Height	Base ID
25'	7.31"
30'	7.88"
35'	N/A
40'	N/A

AP-0816 Hamilton

Pole Height	Base ID
25'	7.50"
30'	8.00"
35'	8.44"
40'	9.00"



AP-0817 Oxford

Note: 1. For additional information on Bases see page T15-27 through T15-31.

2. For Anchors see sections T11 and T12.

3. See Reference Section page v for available paint colors.



This page is intentionally left blank.



ABS Plastic Bases

Pelco ABS Plastic Bases are manufactured from an ultraviolet inhibited material that provides protections against U.V. degradation which ensures years of lasting beauty. A variety of styles and sizes are available. Lightweight and easy installation.



AP-0804 - $\begin{matrix} \text{Top ID} \\ \square \\ 3.5=3-1/2" \end{matrix}$ - $\begin{matrix} \text{Bottom ID} \\ \square \\ 7.5=7-1/2" \end{matrix}$ - PNC

Note: Top Opening: 3-1/2" max
Bottom Opening: 7-1/2" max



Rochester I Base Assy, Black ABS Plastic 41" High x 15-11/16" Across Points

AP-0803 - $\begin{matrix} \text{Top ID} \\ \square \\ 5.75=5-3/4" \end{matrix}$ - $\begin{matrix} \text{Bottom ID} \\ \square \\ 11.0=11" \end{matrix}$ - PNC

Note: Top Opening: 5-3/4" max
Bottom Opening: 11" max



Rochester II Base Assy, Black ABS Plastic 41" High x 19" Across Points

AP-0809 - $\begin{matrix} \text{Top ID} \\ \square \\ 9.0=9" \end{matrix}$ - $\begin{matrix} \text{Bottom ID} \\ \square \\ 15.0=15" \end{matrix}$ - PNC

Note: Top Opening: 9" max
Bottom Opening: 15" max



Hamilton Base Assy, Black ABS Plastic 21" High x 16-1/8" Base Dia

AP-0810 - $\begin{matrix} \text{Top ID} \\ \square \\ 6.5=6-1/2" \end{matrix}$ - $\begin{matrix} \text{Bottom ID} \\ \square \\ 14.5=14-1/2" \end{matrix}$ - PNC

Note: Top Opening: 6-1/2" max
Bottom Opening: 14-1/2" max

- Note: 1. Refer to individual pole pages for cross reference for proper fit of base and pole.
2. ABS Plastic Bases are manufactured from an ultraviolet inhibited material that provides protections against U.V. degradation.

Aluminum Bases

Pelco has several different Aluminum Base designs. A variety of styles and sizes are available to fit any specific requirement.



Old Town I Base Assy, Alum 23-1/2" High x 9-1/4" Across Points

AP-0801 - -
2.38=2-3/8" PNC=Process No Color
2.88=2-7/8" P__=Paint
3.5=3-1/2"

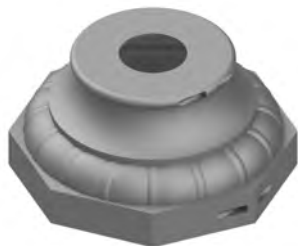
Note: Top Opening: 2-3/8" min to 3-1/2" max
Bottom Opening: 7-1/2" max



Country Club Base Assy, Alum 28" High x 13-5/8" OD

AP-0811 - -
3.5=3-1/2" PNC=Process No Color
4.5=4-1/2" P__=Paint
3F= 3" Fluted

Note: Top Opening: 3-1/2" min to 4-1/2" max
Bottom Opening: 12" max



Oxford Base Assy, Alum 9" High x 19-1/4" Across Points

AP-0817 - -
8.5= 8-1/2" PNC=Process No Color
4F=4" Fluted P__=Paint
6F=6" Fluted

Note: Top Opening: 3-1/2" min to 8-1/2" max
Bottom Opening: 17" max

Note: 1. Refer to individual pole pages for cross reference for proper fit of base and pole.
2. See Reference Section page v for available paint colors.



Aluminum Bases

Pelco has several different Aluminum Base designs. A variety of styles and sizes are available to fit any specific requirement.



Huntington Base Assy, Alum 15-3/4" High x 11-1/4" OD

AP-0820 - -
 Base ID Coating
 3.5=3-1/2" PNC=Process No Color
 4.0=4" P__=Paint

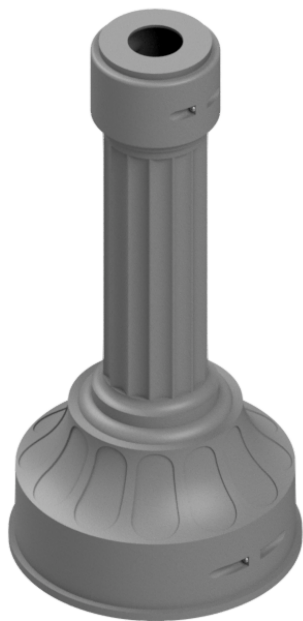
Note: Top Opening: 3" min to 4" max
 Bottom Opening: 10-3/4" max



Manchester Base Assy w/ Door, Alum 27" High x 18-1/2" OD

AP-0819 - -
 Base ID Coating
 4.0=4" PNC=Process No Color
 7.0=7" P__=Paint
 4F=4" Fluted

Note: Top Opening: 4" min to 7" max
 Bottom Opening: 11-1/2" max



LeGrande Base Assy, Alum 38" High x 18-1/2" OD

AP-0814 - -
 Base ID Coating
 3.5=3-1/2" PNC=Process No Color
 4.5=4-1/2" P__=Paint
 5.5=5-1/2"
 3F= 3" Fluted
 4F=4" Fluted

Note: Top Opening: 3-1/2" min to 5-3/4" max
 Bottom Opening: 17" max

Note: 1. Refer to individual pole pages for cross reference for proper fit of base and pole.
 2. See Reference Section page v for available paint colors.

Aluminum Bases

Pelco has several different Aluminum Base designs. A variety of styles and sizes are available to fit any specific requirement.



Hamilton Base Assy, Alum 24" High x 18-1/2" OD

	Base ID	Coating
AP-0816	- <input type="text"/>	- <input type="text"/>
	4.06=4-1/16"	PNC=Process No Color
	4.5=4-1/2"	P__=Paint
	5.5=5-1/2"	
	8.5=8-1/2" (max)	

Note: Top Opening: 4" min to 8-1/2" max
Bottom Opening: 16-3/4" max



Hamilton Base Assy w/ Riser, Alum 24" High x 18-1/2" OD

	Base ID	Coating
AP-0823	- <input type="text"/>	- <input type="text"/>
	4.06=4-1/16"	PNC=Process No Color
	4.5=4-1/2"	P__=Paint
	5.5=5-1/2"	
	8.5=8-1/2" (max)	

Note: Top Opening: 4" min to 8-1/2" max
Bottom Opening: 16-3/4" max
To be used with PB-5431 break-away bolts.



Octagonal Base Assy, Alum 14-3/16" High x 17-13/16" Across Points

	Base ID	Coating
PB-5416	- <input type="text"/>	- <input type="text"/>
	2.88=2-7/8"	PNC=Process No Color
	3.5=3-1/2"	P__=Paint
	4=4"	
	4.5=4-1/2"	
	5=5"	

Note: Top Opening: 2-7/8" min to 5" max
Bottom Opening: 16" max



Octagonal Base Assy, for 4" Fluted Pole, Alum 14" High x 17-13/16" Across Points

	Coating
PB-5414	- <input type="text"/>
	PNC=Process No Color
	P__=Paint

Note: Top Opening: 4" Fluted Only
Bottom Opening: 16" max

Note: 1. Refer to individual pole pages for cross reference for proper fit of base and pole.
2. See Reference Section page v for available paint colors.



Aluminum Bases

Pelco has several different Aluminum Base designs. A variety of styles and sizes are available to fit any specific requirement.



Rochester Base Assy, Alum 36" High x 28" Across Points

PB -5384 -

Base ID	-	Coating
8.0=8"		PNC=Process No Color
10.63=10-5/8"		P__=Paint
14.13=14-1/8"		
16"= 16"		

Note: Top Opening: 8" min to 16" max
Bottom Opening: 26" max



Ornamental Base Assy, Alum 32" High x 28-3/4" Across Points

AP-0802 -

Base ID	-	Trim	-	Coating
8.0=8"		T__=Trim Color		PNC=Process No Color
10.0=10"				P__=Paint
12.0= 12"				

Note: Top Opening: 6" min to 12" max
Bottom Opening: 23" max



Square Cover Assy, 2-Piece, Alum 5-1/4" High x 16" Square

PB-5399 -

Base ID	-	Coating
4.5=4-1/2"		PNC=Process No Color
6.8=6-13/16"		P__=Paint
7.5=7-1/2"		
8.0=8-1/2"		

Note: Top Opening: 4-1/2" min to 8-5/8" max
Bottom Opening: 15" max

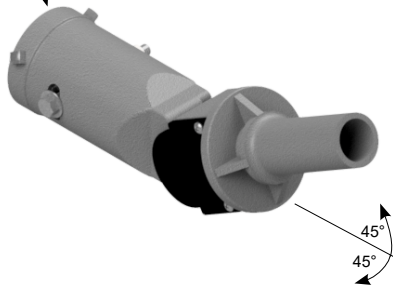
Note: 1. Refer to individual pole pages for cross reference for proper fit of base and pole.
2. See Reference Section page v for available paint colors.



Lighting Arms

Pelco manufactures a variety of Lighting Arms that are available for single or twin luminaires. Both 1-5/8" and 2-3/8" diameter arms are available in aluminum and steel.

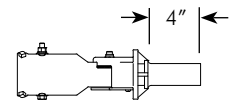
For 2-3/8" Tenon



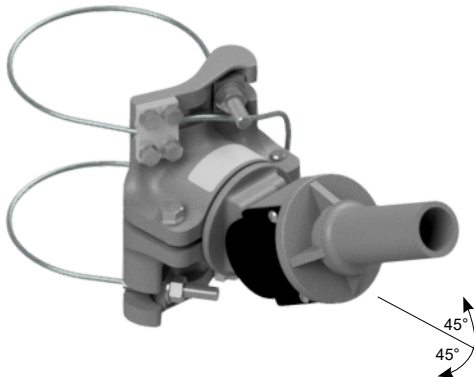
Lumi-Brac, Adjustable View 2-3/8" OD Tenon Mount, Alum

Tenon Coating
 SP-6350 - -
 Blank= 1-5/8" OD x 4" PNC= Process No Color
 1.9=1-7/8" OD x 7" P__=Paint
 2.38=2-3/8" OD x 7"

Note:
 For mounting a single security light or Wi Fi antenna.



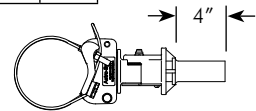
Lumi-Brac, 1-5/8" Dia Tenon, Adjustable View Stainless Cable Mount, Alum



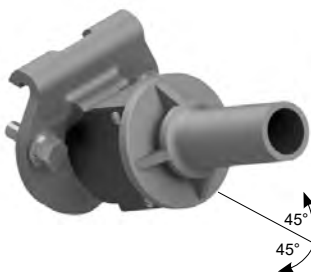
Cable Length Coating
 SP-6351 - -
 See Table PNC= Process No Color
 P__=Paint

Cable Length:	62"	84"	96"	110"	120"	132"	144"	220"	280"
Maximum Pole Dia:	7.0"	10.5"	12.4"	14.6"	16.2"	18.2"	20.1"	32.2"	35.0"
Pole Dia w/ Ty-back:	4.5"	7.6"	9.6"	11.8"	13.4"	15.3"	17.2"	29.3"	35.0"

Note:
 For mounting a single security light or Wi Fi antenna.

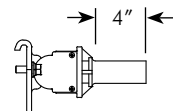


Lumi-Brac, 1-5/8" Dia Tenon, Adjustable View Simplex Mount, Alum



Coating
 SP-6353 -
 PNC= Process No Color
 P__=Paint

Note:
 For mounting a single security light or Wi Fi antenna.



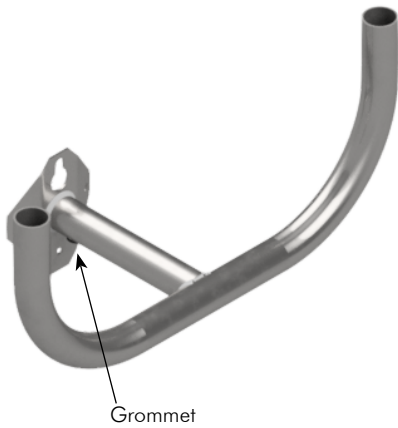
Note: 1. All assemblies are supplied standard with stainless steel cable, clamp screw, and fasteners.
 2. See Reference Section page v for available paint colors.



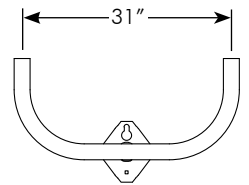
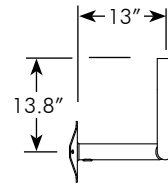
Lighting Arms

Pelco manufactures a variety of Lighting Arms that are available for single or twin luminaires. Both 1-5/8" and 2-3/8" diameter arms are available in aluminum and steel.

Mounting Bracket Assy, Double Luminaire Arm, 2-3/8" Dia, Galvanized Steel



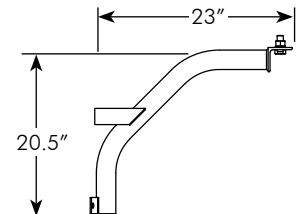
SP-6308 - Coating
 GLV= Galvanized
 P_ =Paint



Note:
 Bullhorn mounting brackets mount with an offset from the wood pole.
 Includes rubber grommet on the underneath side for wiring. Mounting hardware not included.

Mounting Arm Assy, Flood Light, 2-3/8" OD, Galvanized Steel

SP-6349-GLV



Note:
 Mounting arm with a 2-3/8" OD pipe for mounting a single flood light with the 3/4"-10NC supplied hardware.

Note: 1. See Reference Section page v for available paint colors.



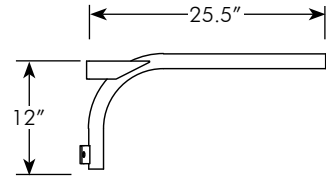
Lighting Arms

Pelco manufactures a variety of Lighting Arms that are available for single or twin luminaires. Both 1-5/8" and 2-3/8" diameter arms are available in aluminum and steel.

Luminaire Support Arm, 1-5/8" Dia, Upsweep, Galvanized Steel

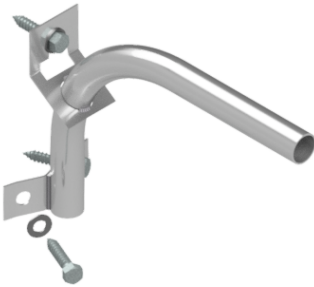


SP-6272 - Coating
 GLV= Galvanized
 P__=Paint

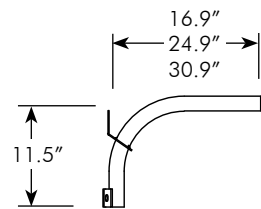


Note:
 For mounting a single security light or Wi Fi antenna.
 Mounting hardware not included.

Luminaire Mounting Arm, 1-5/8" Dia w/ Hardware, 1-5/8" Dia, Alum



SP-6348 - - PNC Arm Length
 16=16"
 24=14"
 30=30"



Part Number	EPA (ft ^2) per arm at 120 mph with max. luminaire weight of 30 lbs
SP-6348-16-PXX	3.0
SP-6348-24-PXX	2.0
SP-6348-30-PXX	3.6

Note:
 For mounting a single security light or Wi Fi antenna.
 Includes three 3/8"-16 x 3" hex head lag bolts and flat washers.

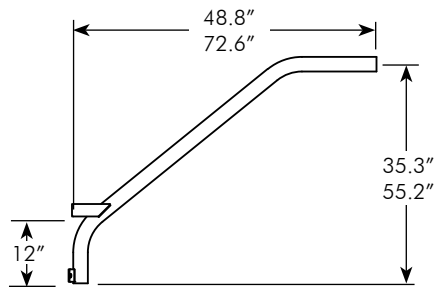
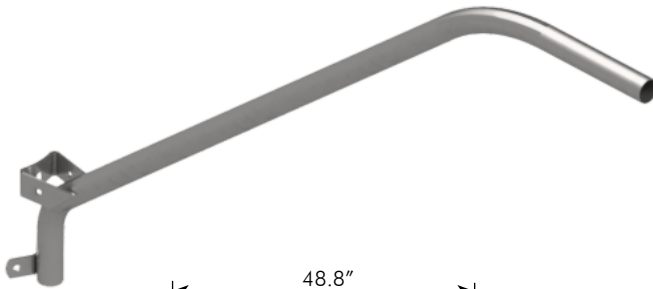
Note: 1. See Reference Section page v for available paint colors.



Lighting Arms

Pelco manufactures a variety of Lighting Arms that are available for single or twin luminaires. Both 1-5/8" and 2-3/8" diameter arms are available in aluminum and steel.

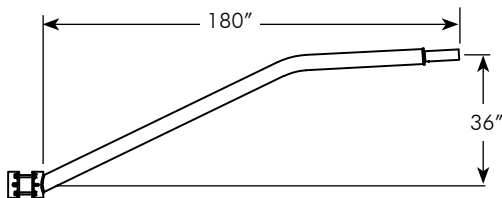
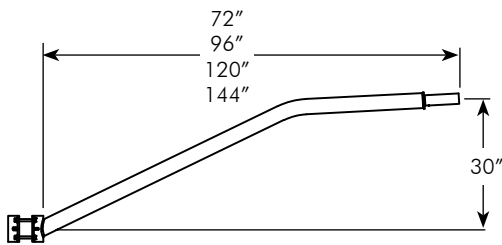
Luminaire Mounting Arm, 2-3/8" OD Galvanized Steel



SP-6309 -	Arm Length	-	Coating
	<input type="text"/>	-	<input type="text"/>
	4=4'		GLV=Galvanized
	6=6'		P__=Paint

Note:
For mounting a single luminaire on 2" Sch10 (2-3/8") pipe with a 4' length x 35" rise or 6' length x 55" rise. Mounting hardware not included. Galvanized or powder coated.

Luminaire Arm, Clamp-on 3" Sch 40 w/ 2-3/8" Dia x 8" Tenon, Steel



For 4"-5" Dia Pole

AP-3001 -	Arm Length	-	Coating
	<input type="text"/>	-	<input type="text"/>
	72=6'		GLV=Galvanized
	96=8'		P__=Paint
	120=10'		
	144=12'		
	180=15'		

For 5-1/2" to 7-1/2" Dia Pole

AP-3002 -	Arm Length	-	Coating
	<input type="text"/>	-	<input type="text"/>
	96=8'		GLV=Galvanized
	120=10'		GLV-P__=Paint
	144=12'		
	180=15'		

Note:
For mounting a single luminaire onto the 2-3/8" OD x 8" long tenon. Includes 1/2"-13NC hardware for attaching arm to the pole. Galvanized or powder coated.

Note: 1. See Reference Section page v for available paint colors.

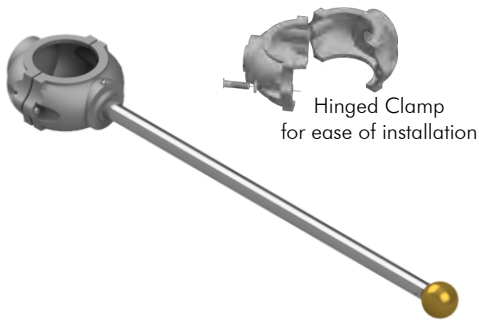


This page is intentionally left blank.



Banner Brackets

Pelco has a wide variety of mounting bracket for banners and flags. Choose from ornamental hubs, banded mini-bracs, or flat mounted hubs. Banner bracs for square poles are also available, as well as articulating arms for collapsing against the pole when not in use.

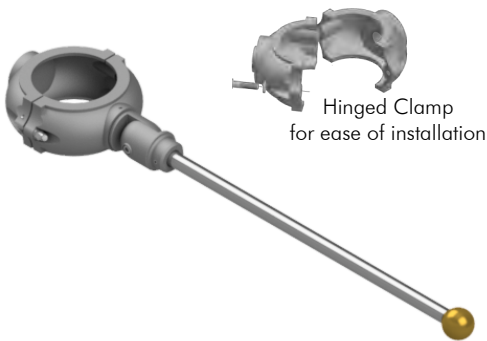


Banner Mounting Bracket, Alum Hinged Single Arm,

	Pole Dia	Banner Width	Finial/Color	Coating
SH-3551	- [] -	[] -	[] -	[]
	2.38=2-3/8"	18=18"	BL_ =2" Ball	P_ =Paint
	2.88=2-7/8"	24=24"	ST_ =Steeple	
	3.50=3-1/2"	30=30"	SI_ =Spire	
	4.06=3" Fluted	36=36"	FL_ =Fleur	
	4.50=4-1/2"		SE_ =1-1/2" Spear	
	5.08=4" Fluted			
	5.56=5-9/16"			



Note:
 Finial may be ordered as P28 Gold or same color as assembly, i.e., SH-3551-3.50-24-BL28-P33, for Gold Ball finial and Gloss Black assembly.

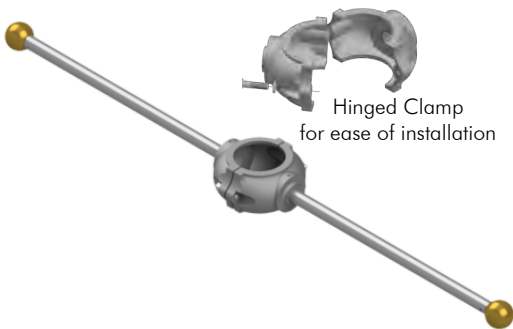
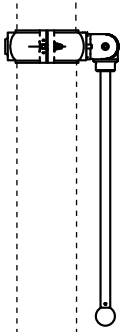


Banner Mounting Bracket, Alum Hinged Articulating Single Arm

	Pole Dia	Banner Width	Finial/Color	Coating
SH-3547	- [] -	[] -	[] -	[]
	2.38=2-3/8"	18=18"	BL_ =2" Ball	P_ =Paint
	2.88=2-7/8"	24=24"	ST_ =Steeple	
	3.50=3-1/2"	30=30"	SI_ =Spire	
	4.06=3" Fluted	36=36"	FL_ =Fleur	
	4.50=4-1/2"		SE_ =1-1/2" Spear	
	5.08=4" Fluted			
	5.56=5-9/16"			



Note:
 Finial may be ordered as P28 Gold or same color as assembly, i.e., SH-3547-3.50-24-BL28-P33, for Gold Ball finial and Gloss Black assembly.



Banner Mounting Bracket, Alum Hinged Double Arm,

	Pole Dia	Banner Width	Banner Width	Finial/Color	Coating
SH-3556	- [] -	[] -	[] -	[] -	[]
	2.38=2-3/8"	18=18"	18=18"	BL_ =2" Ball	P_ =Paint
	2.88=2-7/8"	24=24"	20=21"	ST_ =Steeple	
	3.50=3-1/2"	30=30"	24=24"	SI_ =Spire	
	4.06=3" Fluted	36=36"	30=30"	FL_ =Fleur	
	4.50=4-1/2"		36=36"	SE_ =1-1/2" Spear	
	5.08=4" Fluted				
	5.56=5-9/16"				



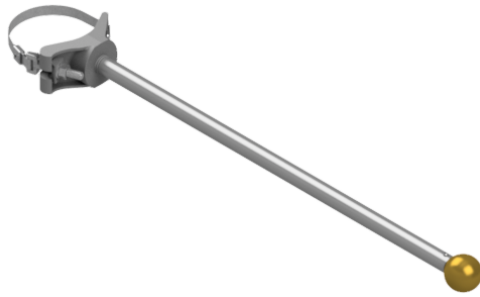
Note:
 Finial may be ordered as P28 Gold or same color as assembly, i.e., SH-3556-3.50-24-24-BL28-P33, for Gold Ball finial and Gloss Black assembly.

Note: 1. 2 bracket assemblies are required for mounting a banner.
 2. See Reference Section page v for available paint colors.



Banner Brackets

Pelco has a wide variety of mounting bracket for banners and flags. Choose from ornamental hubs, banded mini-bracs, or flat mounted hubs. Banner bracs for square poles are also available, as well as articulating arms for collapsing against the pole when not in use.



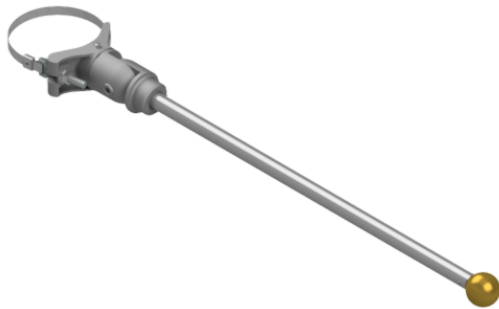
Banner Mounting Bracket, Alum Band Mini-Brac

SH-3520 -	<input type="text"/>	-	<input type="text"/>	-	<input type="text"/>	-	<input type="text"/>
	18=18"		29=29"		BL__=2" Ball		P__=Paint
	24=24"		42=42"		ST__=Steeple		
	30=30"		29PB=29" Painted		SI__=Spire		
	36=36"		42PB=42" Painted		FL__=Fleur		
					SE__=1-1/2" Spear		

Band Length:	29"	42"
Maximum Pole Dia:	7.3"	11.5"

Note:

Finial may be ordered as P28 Gold or same color as assembly, i.e., SH-3520-42PB-24-BL28-P33, for Gold Ball finial and Gloss Black assembly. If painted band is required, band will be painted same color as assembly.



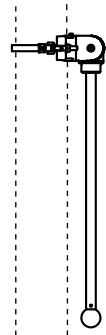
Banner Mounting Bracket, Alum Band Mini-Brac, Articulating Arm

SH-3525 -	<input type="text"/>	-	<input type="text"/>	-	<input type="text"/>	-	<input type="text"/>
	18=18"		29=29"		BL__=2" Ball		P__=Paint
	24=24"		42=42"		ST__=Steeple		
	30=30"		29PB=29" Painted		SI__=Spire		
	36=36"		42PB=42" Painted		FL__=Fleur		
					SE__=1-1/2" Spear		

Band Length:	29"	42"
Maximum Pole Dia:	7.3"	11.5"

Note:

Finial may be ordered as P28 Gold or same color as assembly, i.e., SH-3551-3.50-24-BL28-P33, for Gold Ball finial and Gloss Black assembly. If painted band is required, band will be painted same color as assembly.

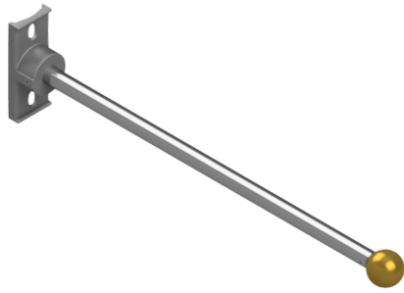


Note: 1. 2 bracket assemblies are required for mounting a banner.
2. See Reference Section page v for available paint colors.



Banner Brackets

Pelco has a wide variety of mounting bracket for banners and flags. Choose from ornamental hubs, banded mini-bracs, or flat mounted hubs. Banner bracs for square poles are also available, as well as articulating arms for collapsing against the pole when not in use.



Banner Mounting Bracket, Alum Universal Hub Mount

SH-3523 -	<input type="text"/>	-	<input type="text"/>	-	<input type="text"/>
	18=18"		BL__=2" Ball		P__=Paint
	24=24"		ST__=Steeple		
	30=30"		SI__=Spire		
	36=36"		FL__=Fleur		
			SE__=1-1/2" Spear		



Note:
 Finial may be ordered as P28 Gold or same color as assembly, i.e., SH-3523-24-BL28-P33, for Gold Ball finial and Gloss Black assembly.

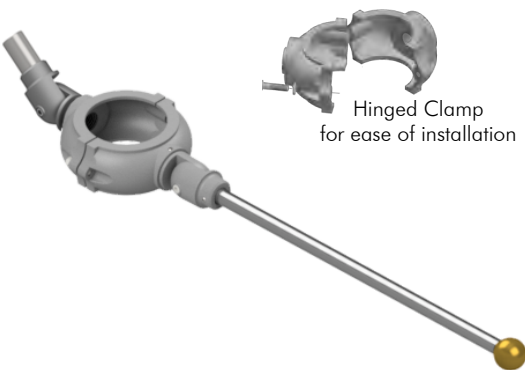
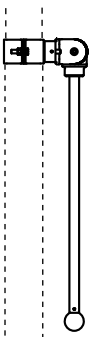


Banner Mounting Bracket, Alum For Square Poles, Articulating Arm

SH-3532 -	<input type="text"/>	-	<input type="text"/>	-	<input type="text"/>	-	<input type="text"/>
	4=4" Square		18=18"		BL__=2" Ball		P__=Paint
	5=2-7/8" Square		24=24"		ST__=Steeple		
	6.63=6-5/8" Square		30=30"		SI__=Spire		
			36=36"		FL__=Fleur		
					SE__=1-1/2" Spear		



Note:
 Finial may be ordered as P28 Gold or same color as assembly, i.e., SH-3532-4-24-BL28-P33, for Gold Ball finial and Gloss Black assembly.

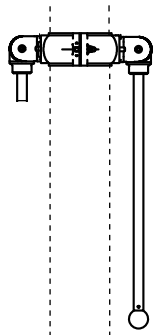


Banner & Flag Mounting Bracket, Alum Hinged Articulating Double Arm

SH-3571 -	<input type="text"/>	-	<input type="text"/>	-	<input type="text"/>	-	<input type="text"/>
	2.38=2-3/8"		18=18"		BL__=2" Ball		P__=Paint
	2.88=2-7/8"		24=24"		ST__=Steeple		
	3.50=3-1/2"		30=30"		SI__=Spire		
	4.06=3" Fluted		36=36"		FL__=Fleur		
	4.50=4-1/2"				SE__=1-1/2" Spear		
	5.08=4" Fluted						
	5.56=5-9/16"						



Note:
 Finial may be ordered as P28 Gold or same color as assembly, i.e., SH-3571-3.50-24-BL28-P33, for Gold Ball finial and Gloss Black assembly.



Note: 1. 2 bracket assemblies are required for mounting a banner.
 2. See Reference Section page v for available paint colors.



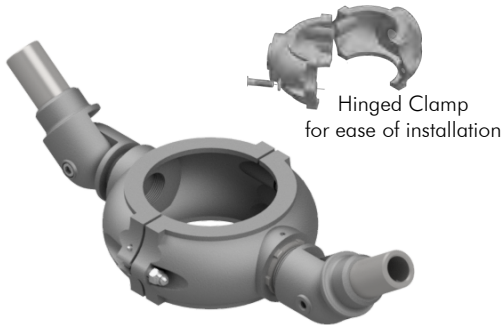
Flag Mounts

Pelco has a wide variety of mounting bracket for banners and flags. Choose from ornamental hubs, banded mini-bracs, or flat mounted hubs. Banner bracs for square poles are also available, as well as articulating arms for collapsing against the pole when not in use.



Flag Mount, Hinged Articulating Serrated, Alum

SH-3549 - Pole Dia - Coating
 2.88=2-7/8" P__=Paint
 3.50=3-1/2"
 4.06=3" Fluted
 4.50=4-1/2"
 5.08=4" Fluted
 5.56=5-9/16"



Flag Mount, 2-Way Hinged Articulating Serrated, Alum

SH-3561 - Pole Dia - Coating
 2.88=2-7/8" P__=Paint
 3.50=3-1/2"
 4.06=3" Fluted
 4.50=4-1/2"
 5.08=4" Fluted
 5.56=5-9/16"



Flag Mount, Articulating Serrated, Alum Band Mini-Brac

SH-3539 - BandLength/Painted - Coating
 29=29" P__=Paint
 42=42"
 29PB=29" Painted
 42PB=42" Painted

Band Length:	29"	42"
Maximum Pole Dia:	7.3"	11.5"

Note:
 If painted band is required, band will be painted same color as assembly.



Flag Mount w/ Articulating Serated, Alum Universal Hub

SH-3538 - Coating
 P__=Paint

Note: 1. 2 bracket assemblies are required for mounting a banner.
 2. See Reference Section page v for available paint colors.



Pole Accessories

Pelco has a wide variety of mounting bracket for banners and flags. Choose from ornamental hubs, banded mini-bracs, or flat mounted hubs. Banner bracs for square poles are also available, as well as articulating arms for collapsing against the pole when not in use.



Flag Rod Assy, Alum

Rod Length Finial/Color Coating
 AP-7380 - - -
 42=42" BL__=2" Ball P__=Paint
 52=52" SE__=1-1/2" Spear
 SL__=Spire
 ST__=Steeple
 FL__=Fleur



Note:
 Finial may be ordered as P28 Gold or same color as assembly, i.e., AP-7380-42-ST28-P33, for Gold Ball Steeple finial and Gloss Black assembly.



Plant Hanger Rod Assy, Alum

Rod Length Finial/Color Coating
 AP-7386 - - -
 18=18" BL__=2" Ball P__=Paint
 24=24" SE__=1-1/2" Spear
 30=30" SL__=Spire
 ST__=Steeple
 FL__=Fleur



Note:
 Finial may be ordered as P28 Gold or same color as assembly, i.e., AP-7386-18-BL28-P33, for Gold Ball Ball finial and Gloss Black assembly.



AP-7239 - **Break-a-way Coupler, 1"-8NC, Alum For Banner Bracs**
 Coating
 P__=Paint



AP-5105 - **Mounting Kit, 1" Tube Collar, Alum For Rigid Signs**
 Coating
 P__=Paint



AP-5132 - **Mounting Kit, 1" Tube Collar, Alum For Free-Swinging Signs**
 Coating
 P__=Paint



AP-5110 - **Mounting Kit, 1" Tube Collar, Alum For Plant Hanger**
 Coating
 P__=Paint

Note: 1. See Reference Section page v for available paint colors.



This page is intentionally left blank.



Regulatory Signs MUTCD Compliant

DECORATIVE SIGNAGE



**Stop Sign, R1-1
w/ Black Back**

Size Reflectivity Coating
SF-6000 - - - PNC
24=24" DG3=Diamond Grade
30=30" EG=Engineering Grade



**Yield Sign, R1-2
w/ Black Back**

Size Reflectivity Coating
SF-2025 - - - PNC
30=30" DG3=Diamond Grade
36=36" EG=Engineering Grade



**No Outlet Sign, W14-2
w/ Black Back**

Size Reflectivity Coating
SF-2033 - - - PNC
36=36" DG3=Diamond Grade
EG=Engineering Grade



**Dead End, W14-1
w/ Black Back**

Size Reflectivity Coating
SF-2026 - - - PNC
24=24" DG3=Diamond Grade
30=30" EG=Engineering Grade



**Curve Right Sign, W1-2R
w/ Black Back**

Size Reflectivity Coating
SF-2029 - - - PNC
24=24" DG3=Diamond Grade
EG=Engineering Grade



**Curve Left Sign, W1-2L
w/ Black Back**

Size Reflectivity Coating
SF-2030 - - - PNC
24=24" DG3=Diamond Grade
EG=Engineering Grade



**Speed Limit Sign, R1-1
18" x 24" w/ Black Back**

Speed Limit Reflectivity Coating
SF-2015 - - - PNC
20=20MPH DG3=Diamond Grade
25=25MPH EG=Engineering Grade



**Slow, Children at Play Sign, W9-12
18" x 24" w/ Black Back**

Reflectivity Coating
SF-2022 - - PNC
DG3=Diamond Grade
EG=Engineering Grade

Note: 1. Reflective vinyl complies with ASTM D4956.
2. Contact Pelco for additional MUTCD compliant signs.



Regulatory Signs MUTCD Compliant



1-Way Sign, R6-1
36" x 12" w/ Black Back

Arrow Reflectivity Coating

SF-2016 - - - PNC

L=Left DG3=Diamond Grade
R=Right EG=Engineering Grade



3-Way Sign, R1-3a
12" x 6" w/ Black Back

Reflectivity Coating

SF-2027 - - PNC

DG3=Diamond Grade
EG=Engineering Grade



4-Way Sign, R1-3
12" x 6" w/ Black Back

Reflectivity Coating

SF-2023 - - PNC

DG3=Diamond Grade
EG=Engineering Grade



Parking Sign, R7-8
12" x 18" w/ Black Back

Reflectivity Coating

SF-2031 - - PNC

DG3=Diamond Grade
EG=Engineering Grade

DECORATIVE SIGNAGE



Note: 1. Reflective vinyl complies with ASTM D4956.
2. Contact Pelco for additional MUTCD compliant signs.



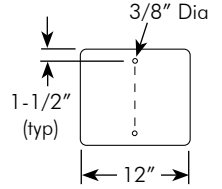
Custom Signs

Pelco can manufacture custom signs in sizes shown below. Includes white engineering grade reflective legend on a powder coated background color of your choice.



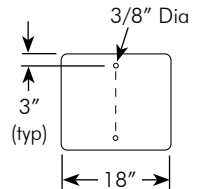
Sign, 12" Wide x Height w/ 2 Mounting Holes Powder Coat Background, White Reflective Legend

SF-5031 - -
 Height Coating
 09=9" P__=Paint
 12=12"
 18=18"



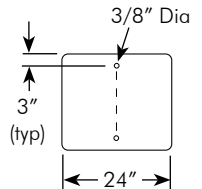
Sign, 18" Wide x Height w/ 2 Mounting Holes Powder Coat Background, White Reflective Legend

SF-5016 - - -
 Height Additional Vinyl Coating
 12=12" Blank=None P__=Paint
 18=18" RD=Red
 24=24"
 30=30"



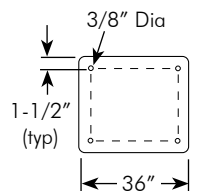
Sign, 24" Wide x Height w/ 2 Mounting Holes Powder Coat Background, White Reflective Legend

SF-5027 - -
 Height Coating
 18=18" P__=Paint
 24=24"
 30=30"
 36=36"



Sign, 36" Wide x Height w/ 4 Mounting Holes Powder Coat Background, White Reflective Legend

SF-5028 - -
 Height Coating
 18=18" P__=Paint
 24=24"
 30=30"
 36=36"



- Note: 1. Reflective vinyl complies with ASTM D4956.
 2. See Reference Section page v for available paint colors.
 3. Specify sign legend when ordering.



Street Name Signs - Post Top

Pelco's Street Name Signs are available in several sizes and shapes, and either a post top or rigid cantilever mount. Choose powder coated with engineering grade reflective vinyl or high intensity diamond grade reflective signs.

6" Street Name Sign, Post Top Mount Extruded Blade Powder Coat Background, White Reflective Legend



SF-5011 -

Length	Coating
24=24"	P__=Paint
30=30"	
36=36"	
42=42"	
48=48"	



SF-5020 -

Length	Coating
24=24"	P__=Paint
30=30"	
36=36"	
42=42"	
48=48"	



SF-5071 -

Length	Coating
24=24"	P__=Paint
30=30"	
36=36"	
42=42"	
48=48"	

6" Street Name Sign, Post Top Mount Extruded Blade Reflective Background, White Reflective Legend



SF-5000 -

Length	Reflectivity	Coating
24=24"	DG3GR=Diamond Grade Green	- PNC
30=30"	DG3BL=Diamond Grade Blue	
36=36"		
42=42"		
48=48"		



SF-5034 -

Length	Reflectivity	Coating
24=24"	DG3GR=Diamond Grade Green	- PNC
30=30"	DG3BL=Diamond Grade Blue	
36=36"		
42=42"		
48=48"		



SF-5081 -

Length	Reflectivity	Coating
24=24"	DG3GR=Diamond Grade Green	- PNC
30=30"	DG3BL=Diamond Grade Blue	
36=36"		
42=42"		
48=48"		

- Note: 1. Reflective vinyl complies with ASTM D4956.
 2. See Reference Section page v for available paint colors.
 3. Specify sign legend when ordering.



Street Name Signs - Post Top

Pelco's Street Name Signs are available in several sizes and shapes, and either a post top or rigid cantilever mount. Choose powder coated with engineering grade reflective vinyl or high intensity diamond grade reflective signs.

9" Street Name Sign, Post Top Mount Extruded Blade Powder Coat Background, White Reflective Legend



SF-5048 -

Length
24=24"
30=30"
36=36"
42=42"
48=48"

 -

Coating
P__=Paint



SF-5074 -

Length
24=24"
30=30"
36=36"
42=42"
48=48"

 -

Coating
P__=Paint

9" Street Name Sign, Post Top Mount Extruded Blade Reflective Background, White Reflective Legend



SF-5047 -

Length
24=24"
30=30"
36=36"
42=42"
48=48"

 -

Reflectivity
DG3GR=Diamond Grade Green
DG3BR =Diamond Grade Brown
DG3BL =Diamond Grade Blue

 - PNC

- Note: 1. Reflective vinyl complies with ASTM D4956.
 2. See Reference Section page v for available paint colors.
 3. Specify sign legend when ordering.



Street Name Signs - Rigid Cantilever

Pelco's Street Name Signs are available in several sizes and shapes, and either a post top or rigid cantilever mount. Choose powder coated with engineering grade reflective vinyl or high intensity diamond grade reflective signs.

6" Street Name Sign, Rigid Cantilever Mount Powder Coat Background, White Reflective Legend



SF-5008 - Length - RM - Coating
 24=24" - RM - P__=Paint
 30=30"
 36=36"
 42=42"
 48=48"



SF-5033 - Length - RM - Coating
 24=24" - RM - P__=Paint
 30=30"
 36=36"
 42=42"
 48=48"

6" Street Name Sign, Rigid Cantilever Mount Reflective Background, White Reflective Legend



SF-5007 - Length - Reflectivity - RM - PNC Coating
 24=24" - DG3GR=Diamond Grade Green
 30=30" - DG3BL =Diamond Grade Blue
 36=36"
 42=42"
 48=48"



SF-5032 - Length - Reflectivity - RM - PNC Coating
 24=24" - DG3GR=Diamond Grade Green
 30=30" - DG3BL =Diamond Grade Blue
 36=36"
 42=42"
 48=48"

- Note: 1. Reflective vinyl complies with ASTM D4956.
 2. See Reference Section page v for available paint colors.
 3. Specify sign legend when ordering.



Street Name Signs - Rigid Cantilever

Pelco's Street Name Signs are available in several sizes and shapes, and either a post top or rigid cantilever mount. Choose powder coated with engineering grade reflective vinyl or high intensity diamond grade reflective signs.

9" Street Name Sign, Rigid Cantilever Mount Powder Coat Background, White Reflective Legend



SF-5046 -

Length	Rigid Mount	Coating
<input type="text"/>	- RM -	<input type="text"/>
24=24"		P__=Paint
30=30"		
36=36"		
42=42"		
48=48"		



SF-5042 -

Length	Rigid Mount	Coating
<input type="text"/>	- RM -	<input type="text"/>
24=24"		P__=Paint
30=30"		
36=36"		
42=42"		
48=48"		

9" Street Name Sign, Rigid Cantilever Mount Reflective Background, White Reflective Legend



SF-5045 -

Length	Reflectivity	Rigid Mount	Coating
<input type="text"/>	- <input type="text"/>	- RM -	PNC
24=24"	DG3GR=Diamond Grade Green		
30=30"	DG3BR =Diamond Grade Brown		
36=36"	DG3BL =Diamond Grade Blue		
42=42"			
48=48"			



SF-5041 -

Length	Reflectivity	Rigid Mount	Coating
<input type="text"/>	- <input type="text"/>	- RM -	PNC
24=24"	DG3GR=Diamond Grade Green		
30=30"	DG3BR =Diamond Grade Brown		
36=36"	DG3BL =Diamond Grade Blue		
42=42"			
48=48"			

Note: 1. Reflective vinyl complies with ASTM D4956.
 2. See Reference Section page v for available paint colors.
 3. Specify sign legend when ordering.

Sign Frames

Pelco offers both a decorative and a back plate option for framing your sign, in sizes shown below.



**Sign Frame, Decorative Alum
24" Octagonal Stop Sign**

AP-7013-1 -
Coating
P__=Paint



**Sign Frame, Decorative Alum
30" Octagonal Stop Sign**

AP-7012-1 -
Coating
P__=Paint



**Back Plate Frame, Alum
24" Octagonal Stop Sign**

SH-1849 -
Coating
P__=Paint

**Back Plate Frame, Alum
30" Octagonal Stop Sign**

SH-1850 -
Coating
P__=Paint



**Sign Frame, Decorative Alum
24" x 24" Regulatory Sign**

AP-7237 -
Coating
P__=Paint



**Sign Frame, Decorative Alum
24" x 18" Regulatory Sign**

AP-7228 -
Coating
P__=Paint



**Sign Frame, Decorative Alum
18" x 24" Regulatory Sign**

AP-7027 -
Coating
P__=Paint



**Sign Frame, Decorative Alum
12" x 18" Regulatory Sign**

AP-7215 -
Coating
P__=Paint



Note: 1. See Reference Section page v for available paint colors.



Post Tops

Both finial caps and rigid sign mounting caps are available for 2" and 2-1/2" posts.



3" Ball Steeple Spire Fleur Spear

**Post Cap Assy, Alum
For 2" (2-3/8" OD) Pole**

SH-1808 - -

**Post Cap Assy, Alum
For 2-1/2" (2-7/8" OD) Pole**

SH-1828 - -

Note:
Finial may be ordered as P28 Gold or same color as assembly, i.e., SH-1808-BL28-P33, for Gold Ball finial and Gloss Black assembly.

Finial/Color Coating
BL__=3" Ball P__=Paint
ST__=Steeple
SL__=Spire
FL__=Fleur
SE__=1-1/2" Spear



3" Ball Steeple Spire Fleur Spear

**Finial Assy, Alum
w/ Slot for Extruded Blades**

SH-1813 - -

Note:
Finial may be ordered as P28 Gold or same color as assembly, i.e., SH-1813-BL28-P33, for Gold Ball finial and Gloss Black assembly.

Finial/Color Coating
BL__=3" Ball P__=Paint
ST__=Steeple
SL__=Spire
FL__=Fleur
SE__=1-1/2" Spear



**Post Cap Assy, Alum
For 2" (2-3/8" OD) Pole**

SH-1609 -



**Post Cap Assy, Alum
w/ 5" Long Slot for Extruded Blades
For 2" (2-3/8" OD) Pole**

SH-1800 -

**Post Cap Assy, Alum
w/ 5" Long Slot for Extruded Blades
For 2-1/2" (2-7/8" OD) Pole**

SH-1829 -



**Post Cap Assy, Alum
w/ 12" Long Slot for Extruded Blades
For 2-1/2" (2-7/8" OD) Pole**

SH-1868 -



**90 Cross, Alum
w/ 5" Lg Slots for Extruded Blade**

SH-1801 -



**90 Cross, Alum
w/ 12" Long Slot for Extruded Blades**

SH-1847 -

Note: 1. See Reference Section page v for available paint colors.



Sign Clamps

Pelco offers a variety of clamps for mounting signs to the side of a post. U-bolt, sign clamp, mini-brac and ornamental hub are options in various sizes. For additional sign mounting options see section T6.



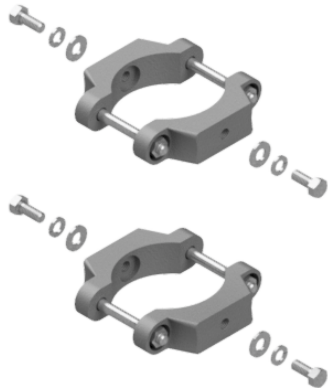
U-Bolt Sign Clamp Assy, Alum w/ 5/16" Sign Mounting Hardware

	Pole Size	Coating
SH-0206	- <input type="text"/>	- <input type="text"/>
	1.5=1.5" (1-7/8" OD)	PNC=Process No Color
	2=2" (2-3/8" OD)	P_ _=Paint
	2.5=2.5" (2-7.8" OD)	
	4=4.5" (4-1/2" OD)	



U-Bolt Sign Clamp Assy, Alum w/ 5/16" Sign Mounting Hardware For Ornamental Sign Frames

	Pole Size	Coating
SH-0227	- <input type="text"/>	- <input type="text"/>
	1.5=1.5" (1-7/8" OD)	PNC=Process No Color
	2=2" (2-3/8" OD)	P_ _=Paint
	2.5=2.5" (2-7.8" OD)	
	4=4.5" (4-1/2" OD)	



Double Sign Clamp Assy, Alum w/ 5/16" Sign Mounting Hardware

	Pole Size	Coating
SH-0203	- <input type="text"/>	- <input type="text"/>
	1.5=1.5" (1-7/8" OD)	PNC=Process No Color
	2=2" (2-3/8" OD)	P_ _=Paint
	2.5=2.5" (2-7.8" OD)	
	4=4.5" (4-1/2" OD)	

DECORATIVE SIGNAGE



Note: 1. See Reference Section for available paint colors.
2. See section T6 for additional sign mounting options.



Sign Clamps

Pelco offers a variety of clamps for mounting signs to the side of a post. U-bolt, sign clamp, mini-brac and ornamental hub are options in various sizes. For additional sign mounting options see section T6.



Sign Clamp Assy, Alum w/ 5/16" Sign Mounting Hardware



	Pole Size	-	Coating
SH-0201	3	-	<input type="text"/>
	3=3" (3-1/2" OD)		PNC=Process No Color P__=Paint



Double Sign Clamp Assy, Alum w/ 5/16" Sign Mounting Hardware



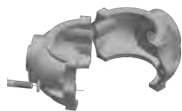
	Pole Size	-	Coating
SH-0202	3	-	<input type="text"/>
	3=3" (3-1/2" OD)		PNC=Process No Color P__=Paint



Sign Mount Assy, Astro Mini-Brac, Alum w/ 5/16" Sign Mounting Hardware

	Band Length	-	Coating
SH-0228	<input type="text"/>	-	<input type="text"/>
	29=29" Band 42=42" Band 29PB=29" Painted Band 42PB=42" Painted Band		PNC=Process No Color P__=Paint

Band Length:	29"	42"
Maximum Pole Dia:	7.3"	11.5"



Hinged Clamp for ease of installation (2 required for mounting sign)



Sign Mount Assy, Hinged Ornamental Hub, Alum w/ 5/16" Sign Mounting Hardware

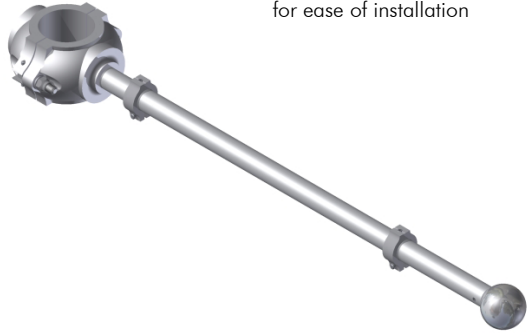
	Pole Dia	-	Coating
SH-0215	<input type="text"/>	-	<input type="text"/>
	2.88=2-7/8" 3.50=3-1/2" 4.06=3" Fluted 4.50=4-1/2" 5.08=4" Fluted 5.56=5-9/16"		PNC=Process No Color P__=Paint

Note: 1. See Reference Section for available paint colors.
2. See Reference Section for band clamp kit pole diameters.



Cantilever Sign Mounts

Pelco Cantilever Sign Mounts are available with a hinged ornamental hub, banded mini-brac, or universal hub and come in various lengths with decorative finial options.

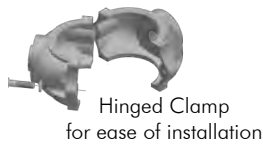


Street Name Sign Bracket, Alum Hinged Ornamental Hub, Single Arm

AP-7362	Pole Dia	Sign Length	Finial/Color	Coating
	<input type="text"/>	<input type="text"/>	<input type="text"/>	<input type="text"/>
	2.38=2-3/8"	24=24"	BL__=2" Ball	P__=Paint
	2.88=2-7/8"	30=30"	ST__=Steeple	
	3.50=3-1/2"	36=36"	SI__=Spire	
	4.06=3" Fluted	42=42"	FL__=Fleur	
	4.50=4-1/2"	48=48"	SE__=1-1/2" Spear	
	5.08=4" Fluted			
	5.56=5-9/16"			



Note:
Shown with ball finial. Finial may be ordered as P28 Gold or same color as assembly, i.e., AP-7362-3.50-24-BL28-P33, for Gold Ball finial and Gloss Black assembly.



Street Name Sign Bracket, Ornamental Hub, Alum Hinged Ornamental Hub, Double Arm

AP-7369	Pole Dia	Sign Length	Sign Length	Finial/Color	Coating
	<input type="text"/>	<input type="text"/>	<input type="text"/>	<input type="text"/>	<input type="text"/>
	2.38=2-3/8"	24=24"	24=24"	BL__=2" Ball	P__=Paint
	2.88=2-7/8"	30=30"	30=30"	ST__=Steeple	
	3.50=3-1/2"	36=36"	36=36"	SI__=Spire	
	4.06=3" Fluted	42=42"	42=42"	FL__=Fleur	
	4.50=4-1/2"	48=48"	48=48"	SE__=1-1/2" Spear	
	5.08=4" Fluted				
	5.56=5-9/16"				



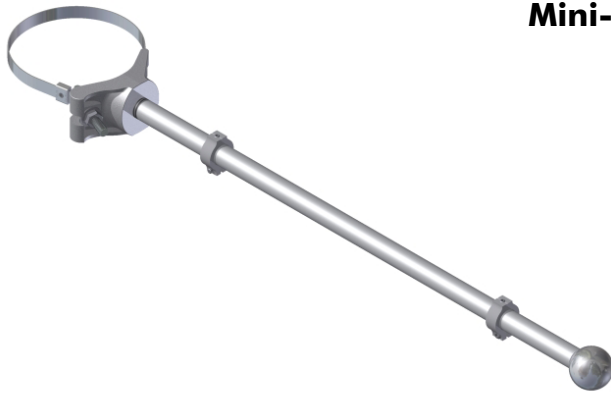
Note:
Shown with ball finial. Finial may be ordered as P28 Gold or same color as assembly, i.e., AP-7369-3.50-24-24-BL28-P33, for Gold Ball finial and Gloss Black assembly.

Note: 1. See Reference Section page v for available paint colors.



Cantilever Sign Mounts

Pelco Cantilever Sign Mounts are available with a hinged ornamental hub, banded mini-brac, or universal hub and come in various lengths with decorative finial options.



Street Name Sign Bracket, Alum Mini-Brac w/ Stainless Steel Bands

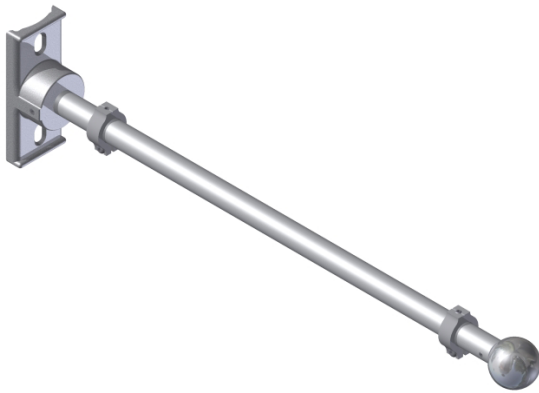
Sign Length	BandLength/Painted	Finial/Color	Coating
AP-7268 - <input type="text"/>	- <input type="text"/>	- <input type="text"/>	- <input type="text"/>
24=24"	29=29"	BL__=2" Ball	P__=Paint
30=30"	42=42"	ST__=Steeple	
36=36"	29PB=29" Painted	SL__=Spire	
42=42"	42PB=42" Painted	FL__=Fleur	
48=48"		SE__=1-1/2" Spear	

Band Length:	29"	42"
Maximum Pole Dia:	7.3"	11.5"



Note:
Shown with ball finial. Finial may be ordered as P28 Gold or same color as assembly, i.e., SH-3551-3.50-24-BL28-P33, for Gold Ball finial and Gloss Black assembly.
If painted band is required, band will be painted same color as assembly.

Street Name Sign Bracket, Alum Universal Hub



Sign Length	Finial/Color	Coating
SH-3510 - <input type="text"/>	- <input type="text"/>	- <input type="text"/>
24=24"	BL__=2" Ball	P__=Paint
30=30"	ST__=Steeple	
36=36"	SL__=Spire	
42=42"	FL__=Fleur	
48=48"	SE__=1-1/2" Spear	



Note:
Shown with ball finial. Finial may be ordered as P28 Gold or same color as assembly, i.e., SH-3510-24-BL28-P33, for Gold Ball finial and Gloss Black assembly.

Note: 1. See Reference Section page v for available paint colors.



Sign Posts

Pelco offers a 2-3/8" and 2-7/8" steel sign post in various length. For additional pole options and details of bases shown below see section T15.



Sign Post, 2-3/8" OD Steel, Direct Bury

PB -5208-

--

 -

--

Height Coating
 06=6' P__=Paint
 08=8'
 10=10'
 12=12'
 15=15'

ABS Bases:



AP-0804-2.38
Old Towne I



AP-0803-2.38
Rochester I



AP-0810-2.38
Hamilton

Aluminum Bases:



AP-0801-2.38
Old Towne I



AP-0807-2.38
Old Towne II

Note: 1. See Reference Section page v for available paint colors.
 2. For additional information on Bases see page T15-27 through T15-31.
 3. For Anchors see sections T11 and T12.



Sign Posts

Pelco offers a 2-3/8" and 2-7/8" steel sign post in various length. For additional pole options and details of bases shown below see section T15.



Sign Post, 2-7/8" OD Steel, Direct Bury

AP-2072-

--

 -

--

 Height Coating
 06=6' P__=Paint
 08=8'
 10=10'
 12=12'
 15=15'

ABS Bases:



AP-0804-2.88
Old Towne I



AP-0803-2.88
Rochester I



AP-0810-2.88
Hamilton

Aluminum Bases:



AP-0801-2.88
Old Towne I



AP-0807-2.88
Old Towne II



AP-0820-2.88
Huntington

Note: 1. See Reference Section for available paint colors.
 2. For additional information on Bases see page T15-27 through T15-31.
 3. For Anchors see sections T11 and T12.



This page is intentionally left blank.

