

▶ With Pelco Products, innovation always comes standard.

Pelco Products, Inc. is a centrally located, Oklahoma-based business specializing in designing, engineering, manufacturing and distributing the finest products. Pelco manufactures traffic signal hardware, utility products, and decorative outdoor lighting. We are dedicated to serving our three primary markets globally through Innovative Solutions, Quality Products & Unparalleled Customer Service.

Our goal has always been to create a superior, quality and innovative product for a fair price, keeping service as the top priority. From creation to production, we ensure our products are of the highest quality and made from materials that will stand the test of time.

Please contact Pelco Products for more information by calling 405.340.3434 or email us at sales@pelcoinc.com.

"We are bringing in a *new era* of innovation with the same Pelco values and service you've come to expect."

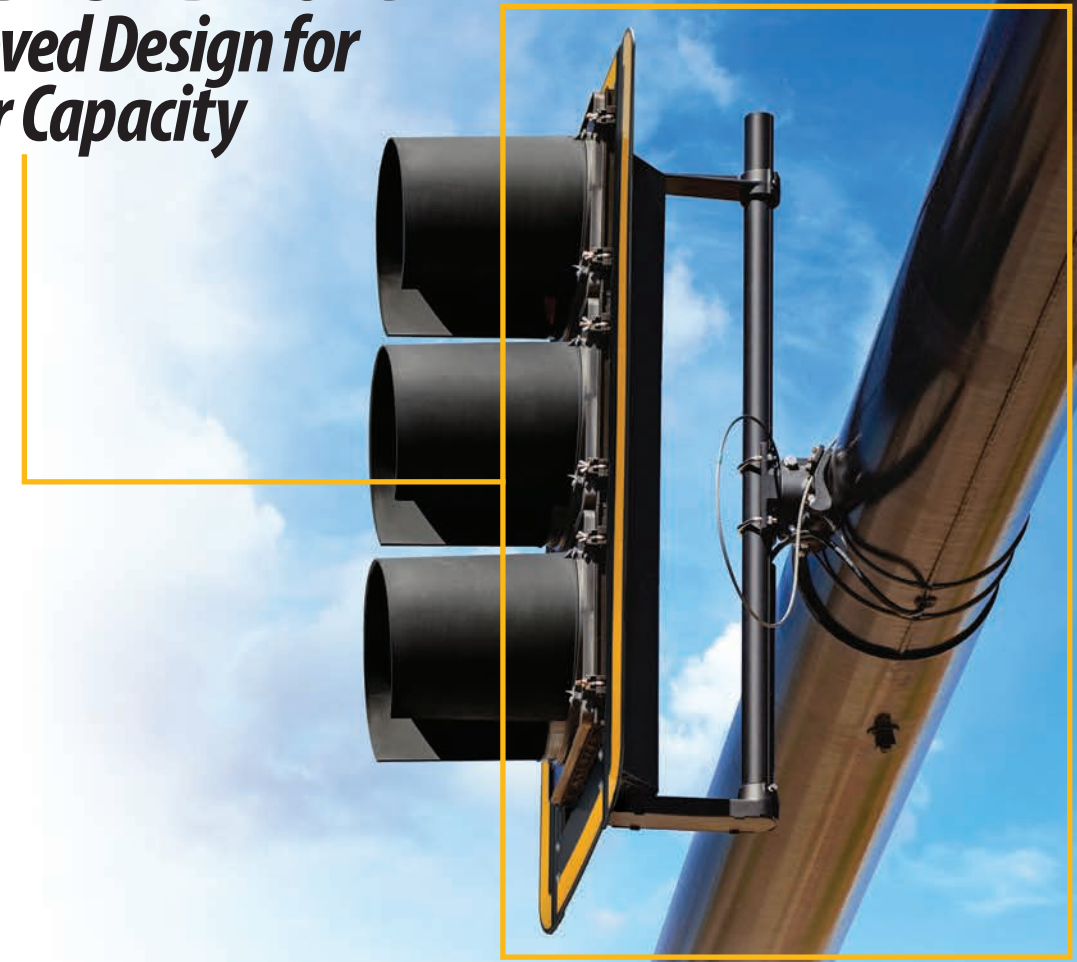
Paul Koenig
President
Pelco Products, Inc.



405.340.3434 • sales@pelcoinc.com
320 West 18th Street • Edmond, OK 73013
www.pelcoinc.com



Astro-Brac[®] Since 1968 Improved Design for Larger Capacity



▶ The Most Versatile Traffic Mounting System Available

▶ The Astro-Brac® family of products is the *Premier Universal Mounting System* for the traffic industry.

Astro-Brac® universal mounting systems are used for *signs, cameras, sensors and virtually any size or combination of signals, to mast arms and poles.* The Astro-Brac is fitted with bands or cables and can rotate 360°. This versatility and dependability is only possible with our exclusive mounting system.



Contractors all over the world use Astro-Brac to reduce man hours and increase profitability. It is easier to install and adjust.



▶ Astro-Brac



1

Arm Kit

Arm kits come in an array of options to fit many traffic signal configurations.

2

Astro-Brac Clamp Kit

The versatile Astro-Brac clamp kit allows for all internal wiring and features 4 axis of adjustment.

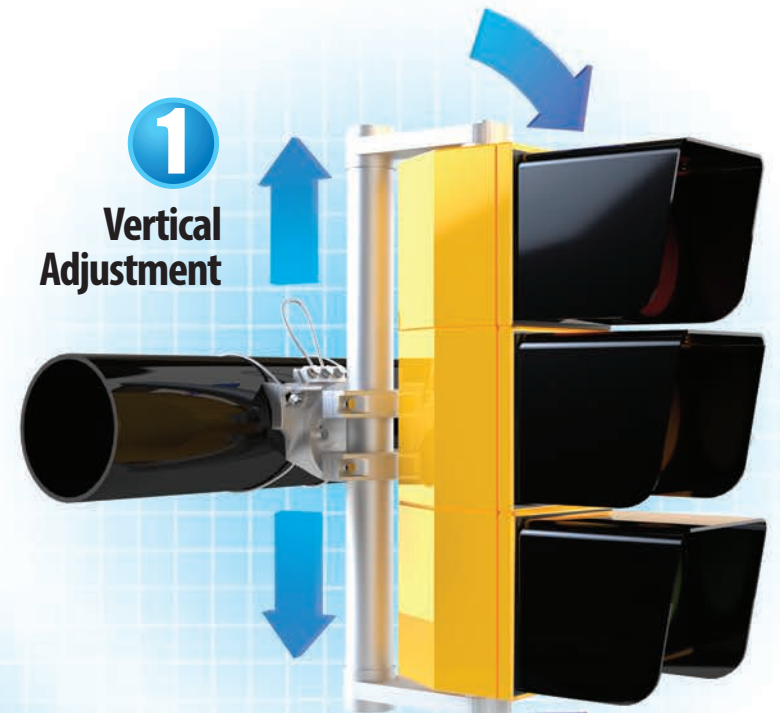
3

Gusseted Tube Patent Pending

Pelco's 1 1/2" aluminum large capacity gusseted tubes allow wire entry at any point. The insert completely conceals the wiring from the mast arm to the signal head.

▶ Astro-Brac Offers 4-Axis Adjustment

Precision alignment and easy installation sets Astro-Brac apart in the traffic industry.

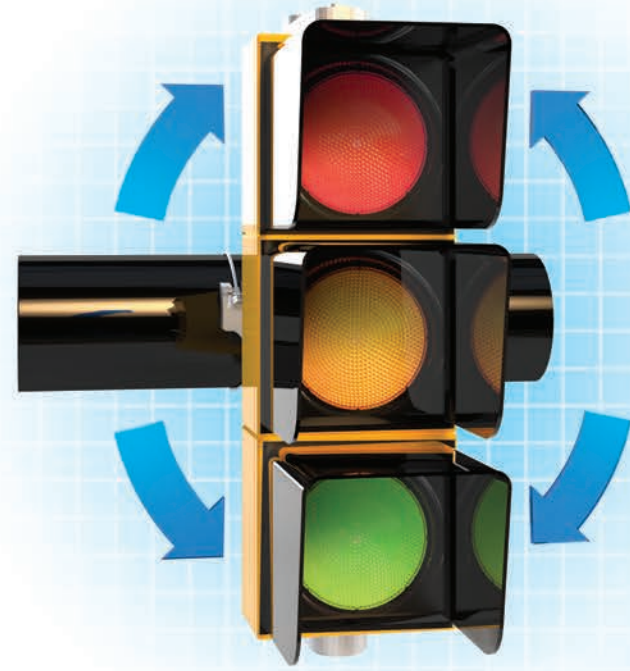


1

Vertical Adjustment

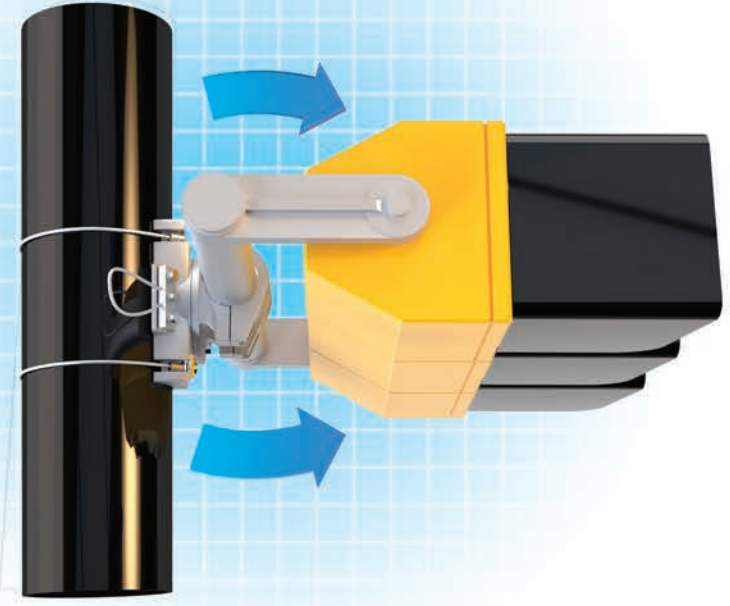
2

Rotational Adjustment Around Mast Arm



3

Rotational Adjustment Right & Left



4

Rotational Adjustment Right & Left

▶ Astro-Brac® Galaxy

Mounting Applications:

- Traffic Signals, Cameras, Signs, Antennas and Sensors

Key Features:

- Only one tool needed for installation
- Hinged tube clamp with captive hardware
- Easiest installation available
- All die-cast design for precise, secure alignment and superior corrosion resistance
- New stainless steel bearing washer design eliminates need for backup wrench
- Less hardware: the hinged saddle reduces the number of bolts
- Utilizes a nylon lock nut making installation more secure and reduces chances of gauling

AG-3055 Hinged Galaxy

Patented



AG-3014 Galaxy Clevis Free Swinging



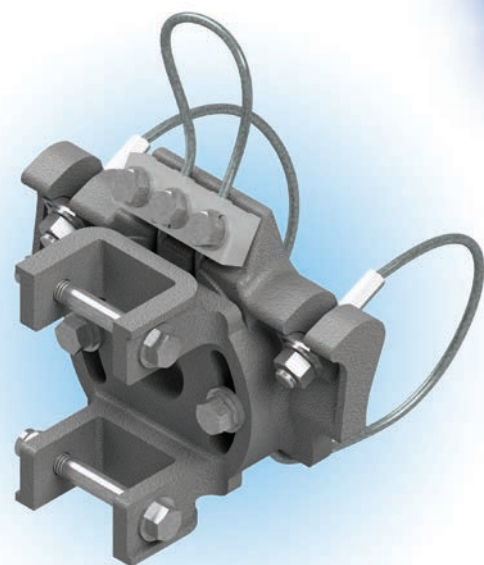
AB-1000 Helping Hand Tool

Helping Hand tool works with both Galaxy and Stellar for easier installation



AG-3056 Galaxy T-Spar

Patented



▶ Astro-Brac® Stellar

Mounting Applications:

- Traffic Signals, Cameras, Signs, Antennas and Sensors

Key Features:

- Cable or band attachment
- 4 axis adjustability
- Concealed wire capable
- Stainless steel hardware
- Minimal standard tools to install/adjust
- New stainless steel bearing washer design eliminates need for backup wrench
- V-bolt tube clamping
- 2 piece base clamp for equal rotation tightening

AS-3004 Stellar Band Mount



AS-3010 Stellar Tenon Mount

Fits smaller diameter pole 1 1/2" - 4 1/2"

AS-3009 Stellar Cable Mount

Single tool for cable



Atlas Series

▶ Astro-Brac® Atlas Patented

Mounting Applications:

- Traffic Signals, Cameras, Signs, Antennas and Sensors

Key Features:

- Cable, band or tenon mount
- 4 axis adjustability
- Conceals large diameter conductors
- Stainless steel hardware
- Minimal standard tools to install/adjust
- New bearing washer design



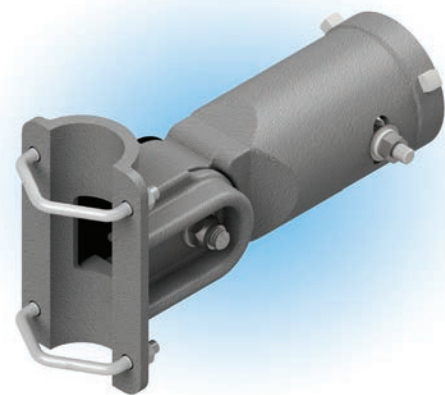
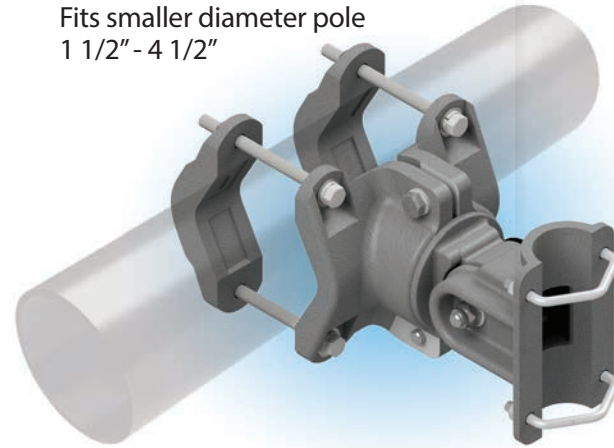
AS-3026
Atlas Articulated Serrated Mount



AS-3029
Atlas Articulated Serrated Band Mount

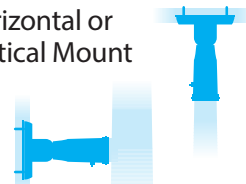
AS-3030
Atlas Articulated Serrated Tenon Mount

Fits smaller diameter pole
1 1/2" - 4 1/2"



AB-3051
Atlas Articulated Serrated Tenon Mount

Horizontal or Vertical Mount



▶ Astro-Brac® Triton Patented

Mounting Applications:

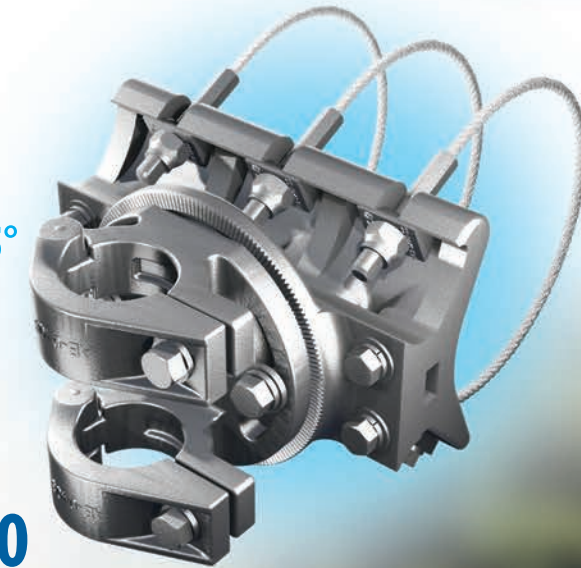
- Cameras, Signs, Sensors, Antennas and Special Equipment

Key Features:

- Cable or band attachment
- 4 axis adjustability
- Concealed wire capable
- Stainless steel hardware
- Minimal standard tools to install/adjust
- Holds two (2) 5/8" diameter conductors
- Has 3 bands or cables for supporting added load
- Designed to be used with 2 3/8" diameter tube
- New bearing washer design



AB-3040



360°
75°
Plus additional adjustability with tube saddle

AB-3050

EXTEND UP TO 15 FEET

Allows equipment to mount up to 15' above clamp kit

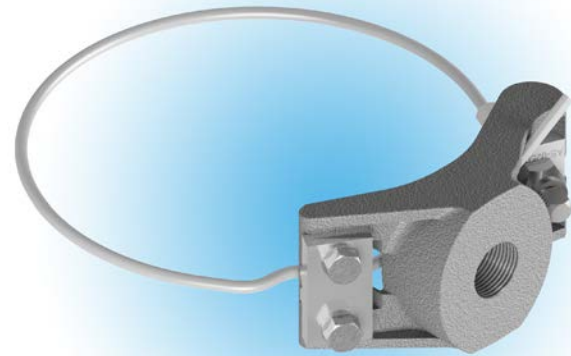
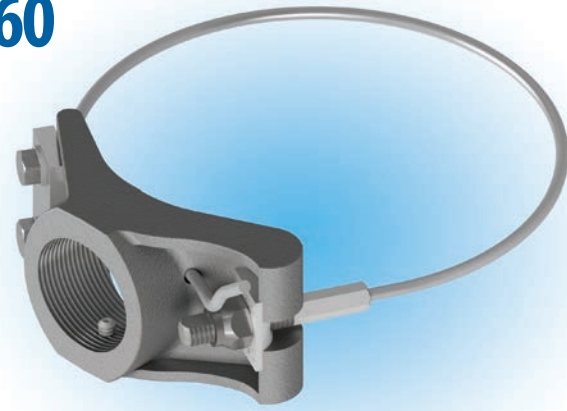
▶ Astro-Mini-Brac AB-0160

Mounting Applications:

- Antennas, Pre-emption Detectors, Cameras, Sensors and Hub-Type Mounts

Key Features:

- One cable or band
- Threaded internally for device adjustment
- Two axis adjustability around pole or mast arm
- New bearing washer design



AB-0163

For smaller applications

▶ Astro-Brac Clamp Kit

Mounting Applications:

- Antennas, Pre-emption Detectors, Cameras, Sensors and Hub-Type Mounts

Key Features:

- Two cables or bands
- Threaded internally for device adjustment
- Two axis adjustability around pole or mast arm



AB-3034

Astro-Brac
has been time
tested in all
50 states &
many
countries
around
the world.

*Call Pelco to
learn more.*
405.340.3434
pelcoinc.com

Innovation

Quality

Service

