

Luminaire Adjustable View Pelco's Lumi-Brac

Many luminaires are simply not positioned for maximum optical efficiency due to pole settlement.

Pelco has designed the first bracket with the sole purpose of adjusting luminaires to the optimal position/angle allowing light to be where it was intended to be without adjusting the pole or arm.

1

90 Degree Maximum Luminaire Adjustment allowing for 5° incremental adjustments for the perfect position

45°

45°

5

Numerous Application Options including Tenon, Wall, Pole, or Simplex Fitting

2

Single-Tool, One-Point Articulation/Adjustment minimizes installation and adjustment time

3

Designed to Articulate Luminaires up to 60 lbs. in weight having a 1.66" ID Tenon fixture

4

Protected Straight-thru Wiring allowing for concealment of (2) 5/8" diameter conductors or optional configurations of smaller conductors

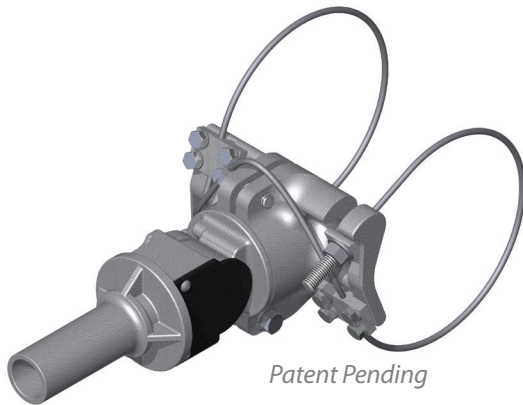
Patent Pending



Place Luminaires Where They're Most Needed - *and know they'll stay there!*

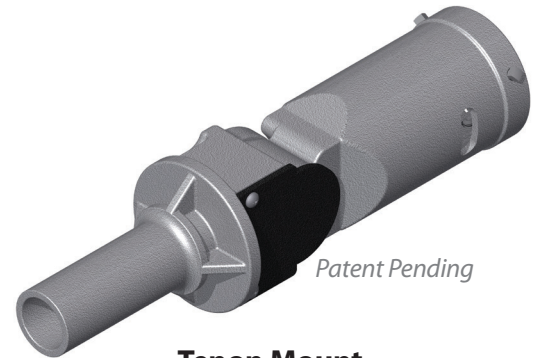
Additional Lumi-Brac Features:

- Durable Cast Aluminum
- Numerous powder coat finishes available
- Stainless Steel Hardware
- UV Resistant Cable Access Panel



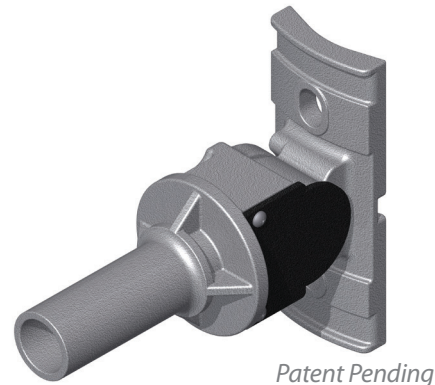
Cable

Direct pole mounting from 4" - 18" in diameter with stainless steel cable
Part No. SP-6351



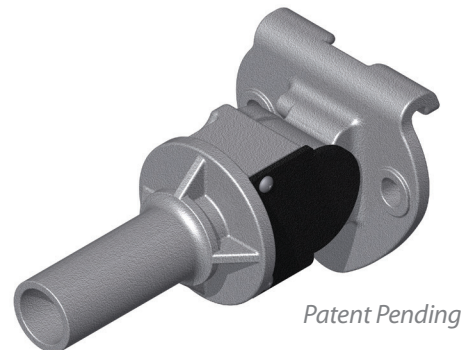
Tenon Mount

For 2- 3/8" OD Luminaire Arms
Part No. SP-6350



Wall or Pole

Direct wall or pole mounts installed with either lag screws or banding
Part No. SP-6352



Simplex

Mating to luminaire simplex fittings
Part No. SP-6353

For more information, visit pelcoinc.com or call your Pelco representative today, 405.340.3434.

