

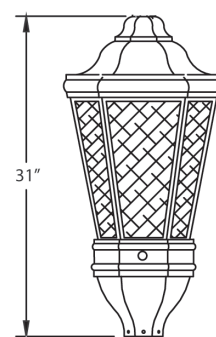
For outstanding quality and easy maintenance, the Windsor is an excellent lighting choice.

Call Pelco to learn more.
405.340.3434
pelcoinc.com

Innovation
Quality
Service

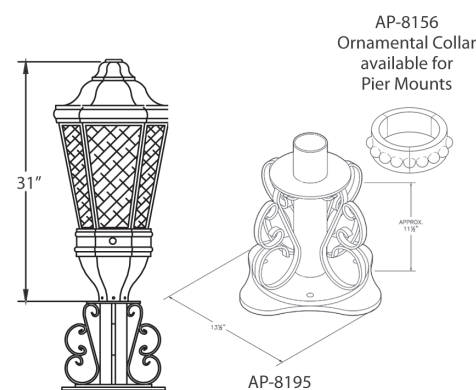
Fixtures

The Windsor Series fixture is available in High Pressure Sodium, Metal Halide or LED and is manufactured using the latest technology. Each fixture is designed with a unique modular electrical unit for easy service access.



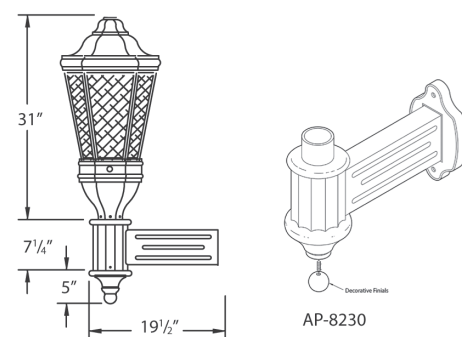
Pier Mount

The Windsor Pier Mount has an ornamental pedestal and is an elegant way to illuminate any entry. Designed to complement the Windsor street lamps, this post and base can be customized with an ornamental collar, and is designed to be mounted on a stone wall or pillar.



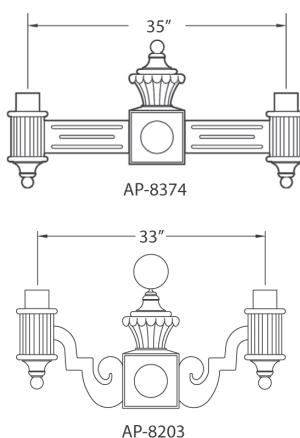
Wall Mount

The Windsor Wall Mount is the perfect addition to any building. Strong architectural lines combined with the elegance of our Windsor Series fixture will compliment your project.



Twin Arm

The Windsor Series Twin Arm offers designers an affordable, beautiful solution to add safety and security to building exteriors. The assembly adds elegance to your project and can be enhanced by choosing a custom finial.



► Pelco Products offers a full line of high quality utility products.

Davit Arms



Capacitor Bank
Junction Boxes
& Meter Sockets

Lighting
Solutions



Customized
Solutions

Light Poles



Utility Mounting
Brackets
& Banding

Foundation
Anchors



Transformer
Wiring Harness

Theft
Deterrent
Products

Streetscape Lighting Series Windsor



► Beautiful,
Affordable
Lighting Solutions

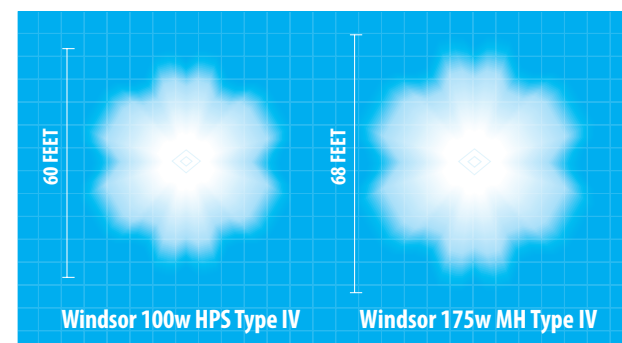


405.340.3434 • sales@pelcoinc.com
320 West 18th Street • Edmond, OK 73013
www.pelcoinc.com



► The Pelco Windsor Streetscape Lighting Series Offers *Extended* Durability & Longevity.

Pelco's Windsor Lighting series is an ideal light for neighborhoods, campuses and downtown lighting solutions. Made of higher quality materials, the Windsor light surpasses the competition with excellent building materials such as its thicker lenses and higher quality powder coat.



1 Impact-Resistant

Cast aluminum fixture body resists wear and tear.

2 Thicker Lenses

Pelco uses a thicker Acrylic Prismatic lens for the Windsor, ensuring a longer-lasting product.

3 Thicker Castings

A heavier, more durable aluminum frame ensures the Windsor's longevity and ability to withstand the test of time.

4 Choice of Finial

Multiple styles of finials enhance the look of the product while providing a variety of design options.

5 Paint Longevity

Available in numerous colors, Pelco's powder coating process ensures years of wear.

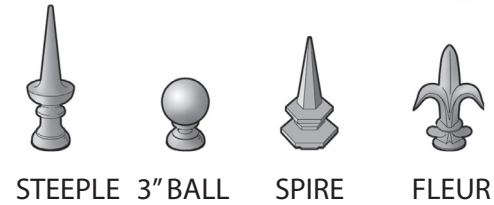
6 Durable Electronics

LED module has a 5-year warranty

► Windsor Ordering Specifications

FIXTURE	DESCRIPTION	PART NO.
WINDSOR FIXTURE	High Pressure Sodium	AP-0216
WINDSOR FIXTURE	Metal Halide	AP-0217
WINDSOR FIXTURE	LED	AP-7521

DECORATIVE FINIALS	PART NO.
STEEPLE	ST
3" BALL	BL
SPIRE	SI
FLEUR	FL



WATTS	DESCRIPTION	PART NO.
100	High Pressure Sodium	100HPS
150	High Pressure Sodium	150HPS
100	Metal Halide	100MH
150	Metal Halide	150MH
175	Metal Halide	175MH
37	LED	37W
57	LED	57W

STANDARD FINISHES	PART NO.
TEXTURED BLACK	P59
BRONZE	P39

VOLTAGE	PART NO.
120VAC	120V
240VAC	240V
277VAC	277V
480VAC	480V
UNV	(LED only)

Note:
Pelco can match your custom colors. Please provide the following and contact Pelco for pricing.
Custom powder: RAL number or paint chip.
Wet paint: Federal Standard 595 paint code or paint chip.
Special setup and paint charge will apply.

PHOTO CELL OPTIONS	PART NO.
No Photo Cell Socket	NPC
Twist Lock Socket Only	PCS
Photo Cell Supplied	PC

ADDITIONAL OPTIONS	PART NO.
WINDSOR WALL MOUNT ARM	AP-8230
WINDSOR TWIN ARM	AP-8374
PIER MOUNT	AP-8195

Ordering Example

FIXTURE	WATTAGE/BALLAST	VOLTAGE	PHOTOCELL	FINIAL SIZE/COL.	FIXTURE COLOR
AP-0216	100MH	120V	PCS	ST59	P59

Notes:
1. All assemblies are supplied standard with stainless fasteners.
2. Please specify options when ordering.