

▶ **With Pelco Products, innovation always comes standard.**

**P**elco Products, Inc. is a centrally located, Oklahoma-based, family owned business specializing in designing, engineering, manufacturing and distributing the finest products. Pelco manufactures traffic signal hardware, utility products, and decorative outdoor lighting. We are dedicated to serving our three primary markets globally through Innovative Solutions, Quality Products & Unparalleled Customer Service.

Our goal has always been to create a superior, quality and innovative product for a fair price, keeping service as the top priority. From creation to production, we ensure our products are of the highest quality and made from materials that will stand the test of time.

**Please contact Pelco Products for more information by calling 405.340.3434 or email us at [sales@pelcoinc.com](mailto:sales@pelcoinc.com).**

“We sell *service* and it just happens that we manufacture products that allow us to sell our *service!*”

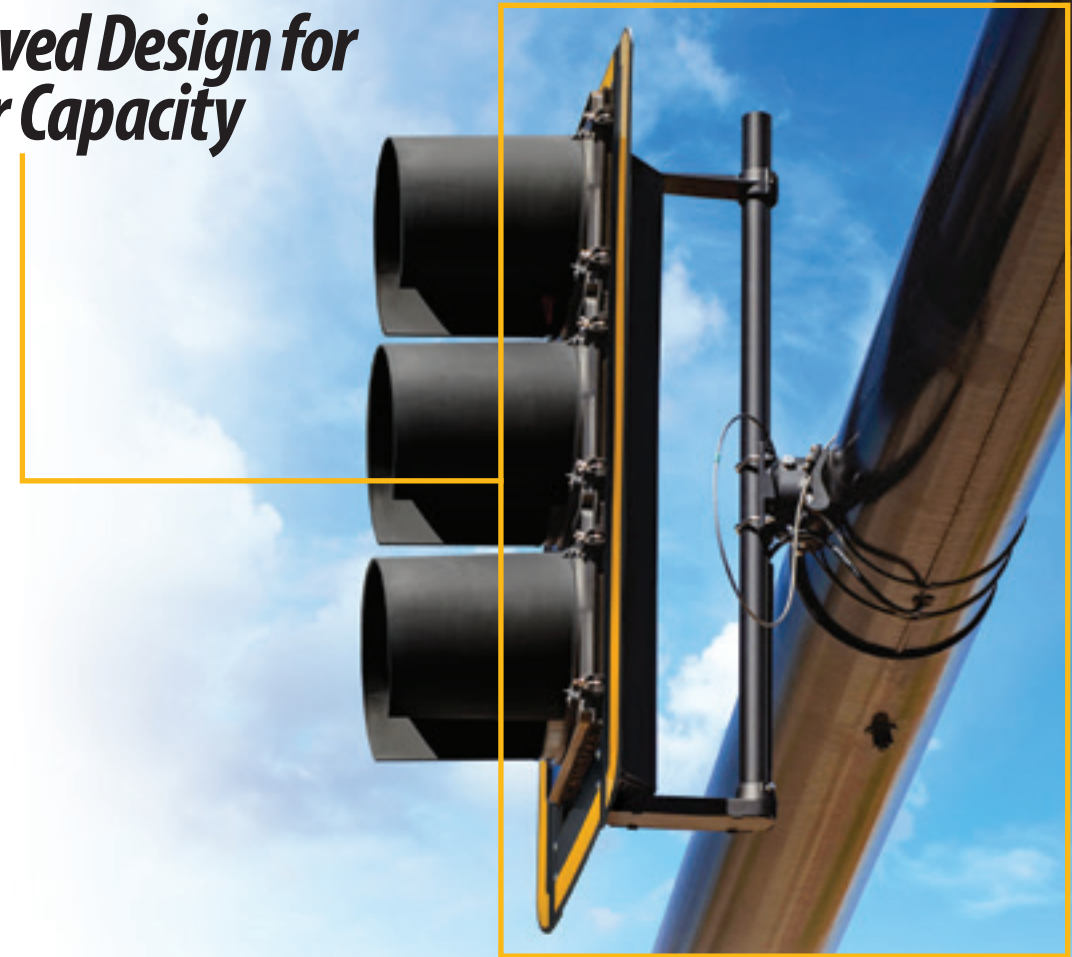
**Steve Parduhn**  
CEO  
Pelco Products, Inc.



405.340.3434 • [sales@pelcoinc.com](mailto:sales@pelcoinc.com)  
320 West 18th Street • Edmond, OK 73013  
[www.pelcoinc.com](http://www.pelcoinc.com)



Since 1968<sup>®</sup>  
**Astro-Brac**  
*Improved Design for Larger Capacity*



▶ **The Most Versatile Traffic Mounting System Available**



# ▶ The Astro-Brac® family of products is the *Premier Universal Mounting System* for the traffic industry.

Astro-Brac® universal mounting systems are used for *signs, cameras, sensors and virtually any size or combination of signals, to mast arms and poles.* The Astro-Brac is fitted with bands or cables and can rotate 360°. This versatility and dependability is only possible with our exclusive mounting system.



*Contractors all over the world use Astro-Brac to reduce man hours and increase profitability. It is easier to install and adjust.*





# ▶ Astro-Brac



1

## Arm Kit

Arm kits come in an array of options to fit many traffic signal configurations.

2

## Astro-Brac Clamp Kit

The versatile Astro-Brac clamp kit allows for all internal wiring and features 4 axis of adjustment.

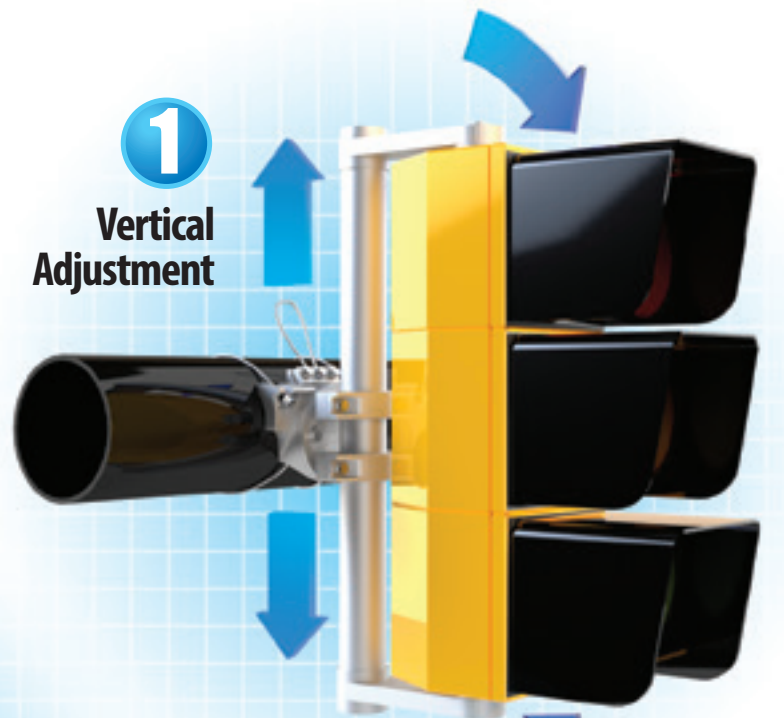
3

## Gusseted Tube

Patent Pending  
Pelco's 1 1/2" aluminum large capacity gusseted tubes allow wire entry at any point. The insert completely conceals the wiring from the mast arm to the signal head.

# ▶ Astro-Brac Offers 4-Axis Adjustment

*Precision alignment and easy installation sets Astro-Brac apart in the traffic industry.*

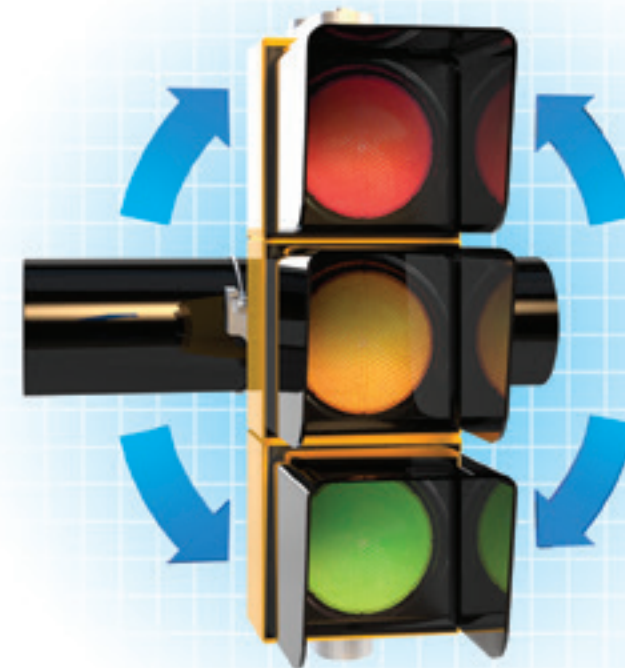


1

Vertical Adjustment

2

Rotational Adjustment Around Mast Arm

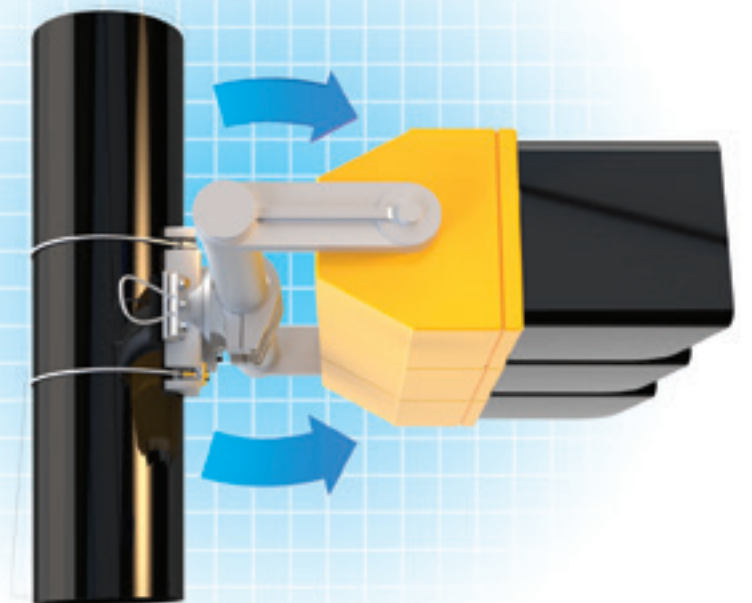


3

Rotational Adjustment Right & Left

4

Rotational Adjustment Right & Left





## ▶ Astro-Brac® Galaxy

### Mounting Applications:

- Traffic Signals, Cameras, Signs, Antennas and Sensors

### Key Features:

- Only one tool needed for installation
- Hinged tube clamp with captive hardware
- Easiest installation available
- All die-cast design for precise, secure alignment and superior corrosion resistance
- New stainless steel bearing washer design eliminates need for backup wrench
- Less hardware: the hinged saddle reduces the number of bolts
- Utilizes a nylon lock nut making installation more secure and reduces chances of gauling

### AG-3055 Hinged Galaxy

Patented



### AG-3014 Galaxy Clevis Free Swinging



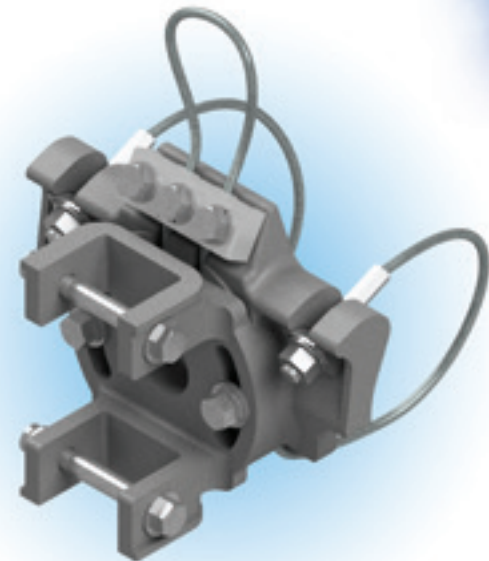
### AB-1000 Helping Hand Tool

Helping Hand tool works with both Galaxy and Stellar for easier installation



### AG-3056 Galaxy T-Spar

Patented



## ▶ Astro-Brac® Stellar

### Mounting Applications:

- Traffic Signals, Cameras, Signs, Antennas and Sensors

### Key Features:

- Cable or band attachment
- 4 axis adjustability
- Concealed wire capable
- Stainless steel hardware
- Minimal standard tools to install/adjust
- New stainless steel bearing washer design eliminates need for backup wrench
- V-bolt tube clamping
- 2 piece base clamp for equal rotation tightening

### AS-3004 Stellar Band Mount



### AS-3010 Stellar Tenon Mount

Fits smaller diameter pole 1 1/2" - 4 1/2"



### AS-3009 Stellar Cable Mount

Single tool for cable





## ▶ Astro-Brac® Atlas Patented

### Mounting Applications:

- Traffic Signals, Cameras, Signs, Antennas and Sensors

### Key Features:

- Cable, band or tenon mount
- 4 axis adjustability
- Conceals large diameter conductors
- Stainless steel hardware
- Minimal standard tools to install/adjust
- New bearing washer design



**AS-3026**  
Atlas Articulated  
Serrated Mount

Atlas Series

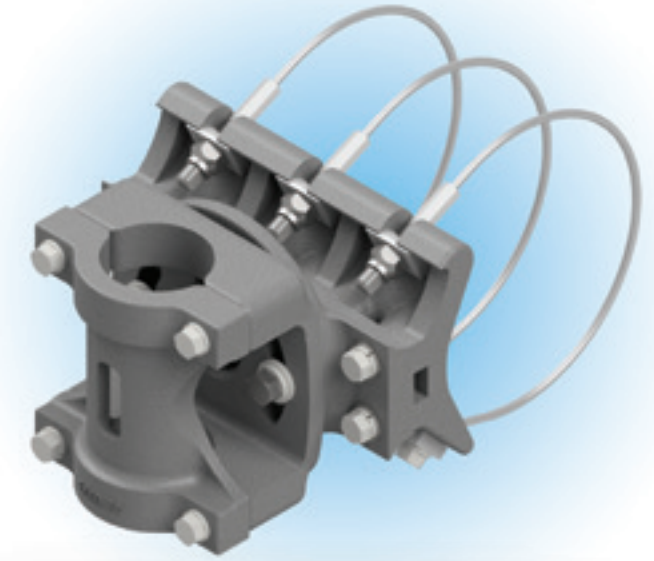
## ▶ Astro-Brac® Triton Patented

### Mounting Applications:

- Cameras, Signs, Sensors, Antennas and Special Equipment

### Key Features:

- Cable or band attachment
- 4 axis adjustability
- Concealed wire capable
- Stainless steel hardware
- Minimal standard tools to install/adjust
- Holds two (2) 5/8" diameter conductors
- Has 3 bands or cables for supporting added load
- Designed to be used with 2 3/8" diameter tube
- New bearing washer design



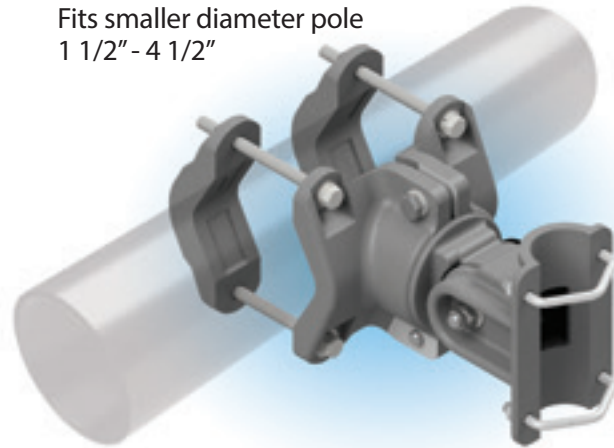
**AB-3040**



**AS-3029**  
Atlas Articulated  
Serrated Band Mount

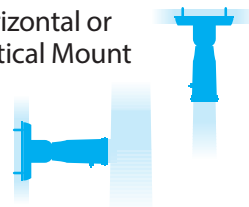
**AS-3030**  
Atlas Articulated  
Serrated Tenon Mount

Fits smaller diameter pole  
1 1/2" - 4 1/2"



**AB-3051**  
Atlas Articulated  
Serrated Tenon Mount

Horizontal or  
Vertical Mount



Allows equipment  
to mount up to 15'  
above clamp kit



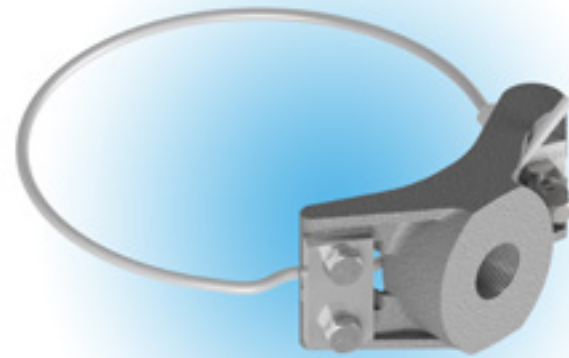
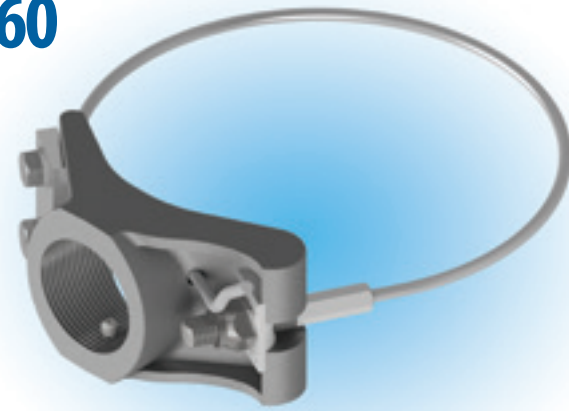
## ▶ Astro-Mini-Brac AB-0160

### Mounting Applications:

- Antennas, Pre-emption Detectors, Cameras, Sensors and Hub-Type Mounts

### Key Features:

- One cable or band
- Threaded internally for device adjustment
- Two axis adjustability around pole or mast arm
- New bearing washer design



## AB-0163

For smaller applications

## ▶ Astro-Brac Clamp Kit

### Mounting Applications:

- Antennas, Pre-emption Detectors, Cameras, Sensors and Hub-Type Mounts

### Key Features:

- Two cables or bands
- Threaded internally for device adjustment
- Two axis adjustability around pole or mast arm



## AB-3034

**Astro-Brac**  
has been time  
tested in all  
50 states &  
many  
countries  
around  
the world.

*Call Pelco to  
learn more.  
405.340.3434  
pelcoinc.com*

**Innovation**

**Quality**

**Service**

