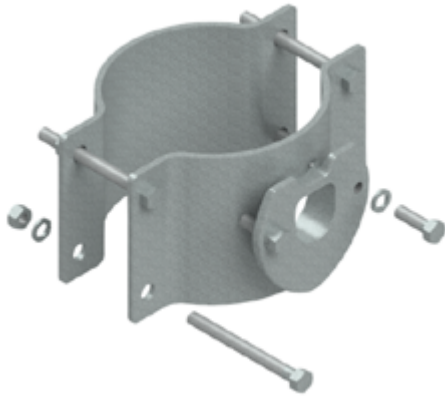
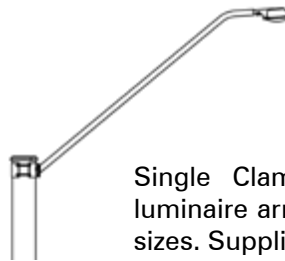
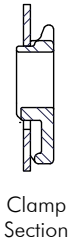


Luminaire Arm Clamp, Single 2-Piece Adjustable w/ Simplex Fitting, Galvanized Steel

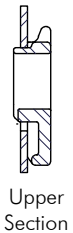
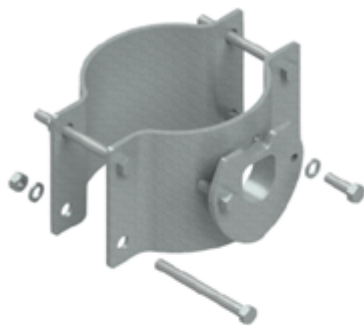


- AP-1009-GLV for 4" to 5" Dia Pole
- AP-1028-GLV for 5.5" to 7.5" Dia Pole
- AP-1011-GLV for 8" to 10" Dia Pole

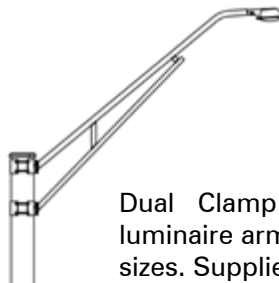
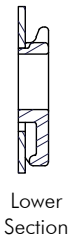
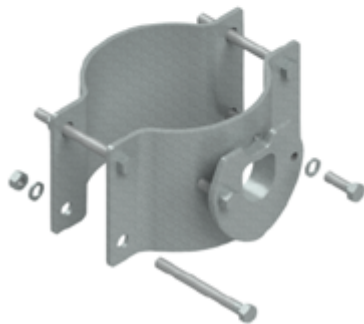


Single Clamp with simplex fitting for mounting luminaire arms to steel or wood poles. Available in 3 sizes. Supplied with galvanized hardware.

Luminaire Arm Clamp, Set of 2 2-Piece Adjustable w/ Simplex Fitting, Galvanized Steel



- AP-1014-GLV for 4" to 5" Dia Pole
- AP-1030-GLV for 5.5" to 7.5" Dia Pole
- AP-1023-GLV for 8" to 10" Dia Pole

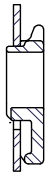
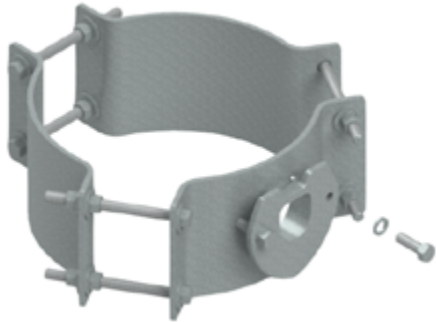


Dual Clamp with simplex fitting for mounting luminaire arms to steel or wood poles. Available in 3 sizes. Supplied with galvanized hardware.

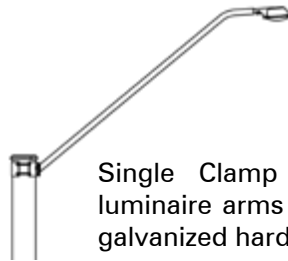
Note: 1. Luminaire Clamps are hot dip galvanized per ASTM A-123.
2. All assemblies are supplied with Galvanized Hardware.

Luminaire Arm Clamp, Single 3-Piece Adjustable, Steel

AP-1008-GLV for 8.9" to 12" Dia Pole



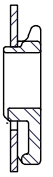
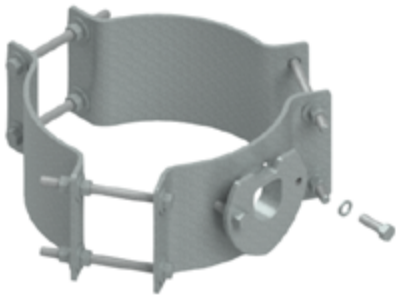
Clamp
Section



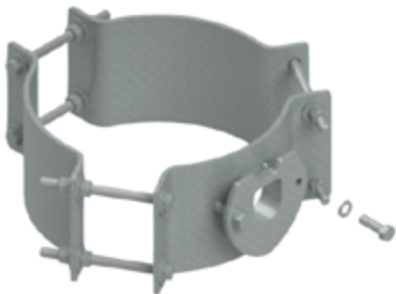
Single Clamp with simplex fitting for mounting luminaire arms to steel or wood poles. Supplied with galvanized hardware.

Luminaire Arm Clamp, Set of 2 3-Piece Adjustable, Steel

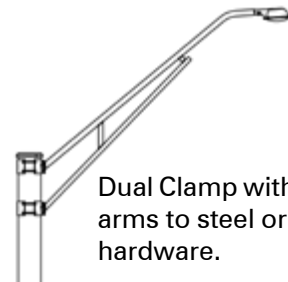
AP-1032-GLV for 8.9" to 12" Dia Pole



Upper
Section



Lower
Section



Dual Clamp with simplex fitting for mounting luminaire arms to steel or wood poles. Supplied with galvanized hardware.

Note: 1. Luminaire Clamps are hot dip galvanized per ASTM A-123.
2. All assemblies are supplied with Galvanized Hardware.



This page is intentionally left blank.

Pole Cap Assembly ABS Plastic



Coating
 AP-0805- fits up to 4" Dia Pole
 AP-0806- fits up to 5" Dia Pole
 PNC=Process No Color
 P__=Paint

Fabricated from UV inhibited black ABS Plastic, but also available wet painted. Two sizes to chose from. Assembled complete with three square head set screws.

Cover, Simplex Fitting, 2-Bolt ABS Plastic



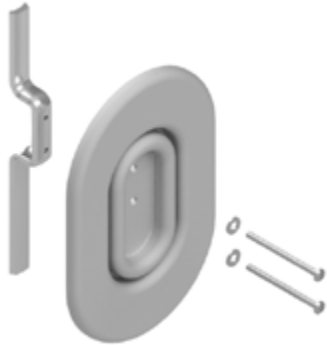
Coating
 AP-1047-
 PNC=Process No Color
 P__=Paint

Fabricated from UV inhibited black ABS, but also available wet painted. Attaches to 2-bolt simplex fittings to prevent birds from nesting in the pole. Assembled complete with two black nylon bolts.

Note: 1. Pole Cap assemblies are supplied standard with stainless steel fasteners.
 2. See Reference Section for available paint colors.

Hand Hole Cover Assy, Universal ABS Plastic

Fits 2-3/4" x 4-1/2" to 5" x 8" Hand Hole



PB-5356-PNC

Pelco's Universal Hand Hole Cover is fabricated from durable UV inhibited copolymer with gray acrylic ultraviolet protector. Impact resistant, withstands temperature extremes of -76° to +150°. No scrap value and is a significant deterrent to theft. Complete assembly; ready to install.

Hand Hole Cover Assy, Galvanized Steel



AP-1090-GLV fits 4" x 6" Hand Hole
AP-1091-GLV fits 5" x 8" Hand Hole

Pelco's galvanized steel Hand Hole Cover is available in 2 sizes. If required cover can be powder coated over galvanized steel. Complete assembly; ready to install.

Note: 1. All Hand Hole assemblies are supplied standard with stainless steel fasteners.

