

INSTALLATION INSTRUCTIONS

AG-3055 Galaxy Hinged Clamp Assy 3/16" Cable Mount

Tools Required: 5/8" Deep Sockets
Torque Wrench
Hack Saw

Power tools can be used if care is given to not exceed torque values. Best practice is to lightly snug the fasteners down with power tools and torque to specification with a torque wrench. Using anti seize on stainless to stainless connections is mandatory when using power tools as the heat from rapid assembly will cause galling and seizure of the hardware.

Attaching Clamp Kit to Mast Arm or Pole

1. Remove the male saddle and hinged tube clamps from the clamp assembly. (Figure 1)
2. Loosen the (3) 7/16" bolts on the cable plate.
3. Adjust the nuts flush to the top of the cable screw as shown. (Figure 1)
4. Feed the wiring through the center of clamp and place on the mast arm as desired. (Figure 4)
5. Place both cable screw assemblies in the casting pawls of the female clamp as shown. (Figure 2)
6. Pull the cable loop to tighten the cable on the mast arm.
7. Torque the (3) 7/16" bolts to 36 ft-lb of torque. **DO NOT OVERTIGHTEN.**
8. Snug the nuts on both cable screw assemblies just enough to hold the clamp kit in position.
9. Plumb and level the clamp, torque both cable screw assembly nuts to 36 ft-lb. **DO NOT OVERTIGHTEN.**

Continued on back

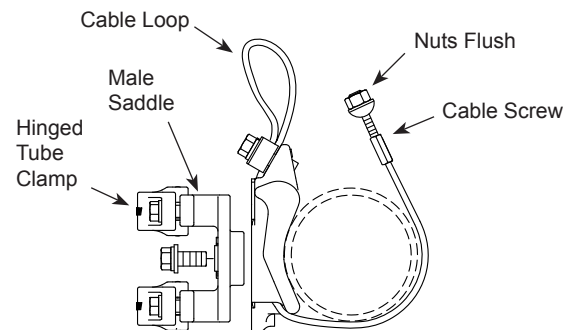
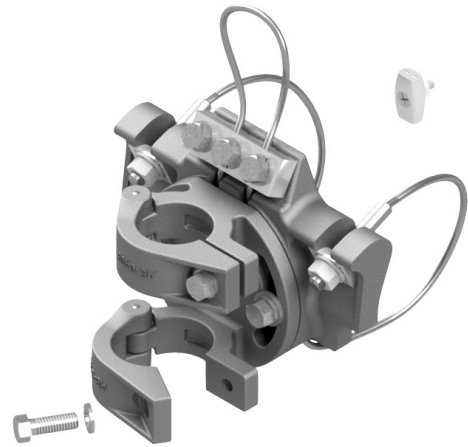


Figure 1

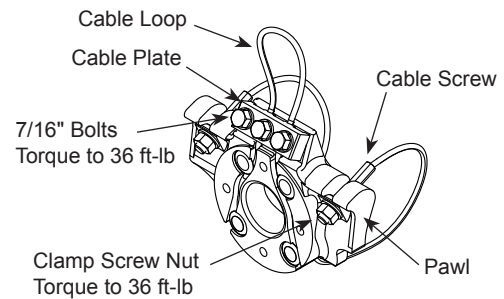


Figure 2

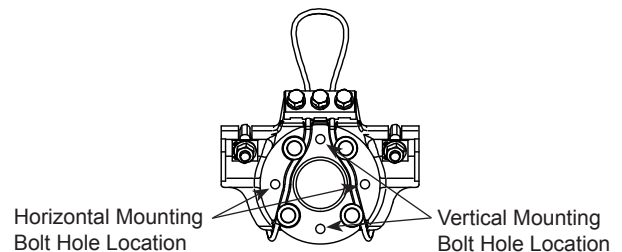


Figure 3

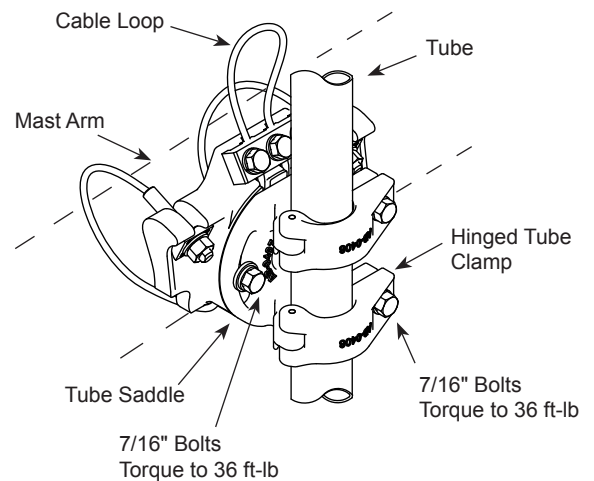
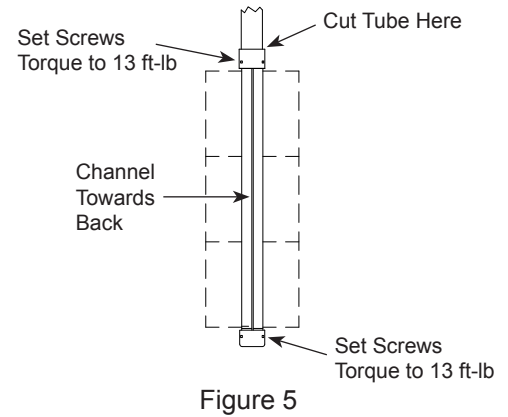
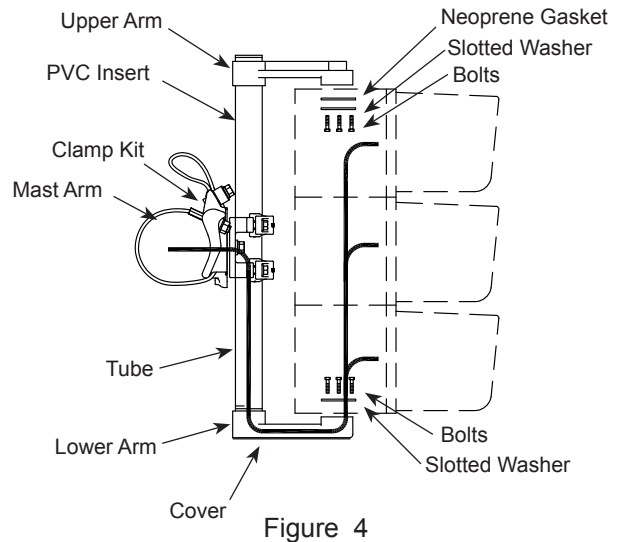
INSTALLATION INSTRUCTIONS

AG-3055 Galaxy Hinged Clamp Assy 3/16" Cable Mount

Continued from front

Signal assembly

10. Position the lower arm centered on the signal with the tube boss in the back. Using the hardware kit(s) without the rubber gasket(s), mount the arm to bottom of the signal(s). Torque the bolts to 6 ft-lb. **DO NOT OVERTIGHTEN.** (Figure 4)
11. Screw the tube into the lower arm stopping at a point where the channel (if using a gusseted tube) is facing away from the signal. (Figure 5)
12. Slide the upper arm(s) down over the top of the tube and secure to the signal(s) using the hardware kit(s) with the rubber gasket(s). Torque the bolts to 6 ft-lb. **DO NOT OVERTIGHTEN.** (Figure 4)
13. Torque the set screws to 13 ft-lb in the upper and lower arms. **DO NOT OVERTIGHTEN.** (Figure 5)
14. Optional: Using the hack saw, cut off any excess tube protruding above the upper arm. (Figure 5)
15. Mount the tube assembly (with its attachments installed) into the hinged tube clamp. Tighten the (2) 7/16" bolts and evenly torque to 36 ft-lb. **DO NOT OVERTIGHTEN.** (Figure 5).
16. Install the hinged tube clamp assembly (with its attachments installed) onto the female clamp, for either horizontal or vertical orientation (Figure 3), and install the (2) 7/16" bolts.
17. Plumb and level the assembly and torque the (2) 7/16" bolts to 36 ft-lb. **DO NOT OVERTIGHTEN.**
18. Route the wiring through the tube, through the lower arm, and to the signal connections. (Figure 4)
19. Cut the PVC insert to size and snap into the tube.
20. Slide in the bottom cover(s) and snap into place.
21. Install the AB-0506 cable Ty-Back Restraining Clamp per separate Instruction Bulletin No. 2037 to provide a neater cable appearance and a positive cable restraint.



Covered by one or more of the following U.S. Patents:
6,357,709; 7,997,546; 9,200,654; 9,316,349;
10,024,492; 2,421,966; 1,426,252

