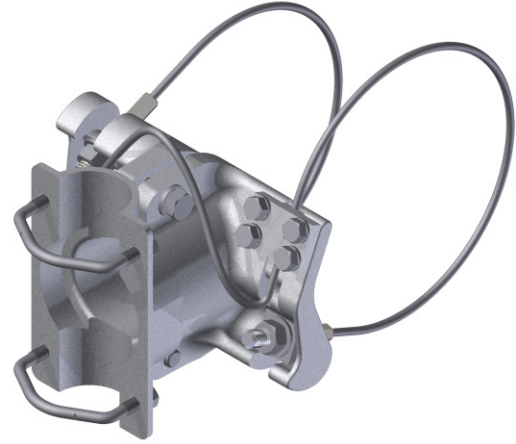


INSTALLATION INSTRUCTIONS

AS-3009 STELLAR CLAMP ASSY 3/16" Cable Mount

Tools Required: 1/2", 5/8", & 11/16" Deep Sockets
3/8" 12 Point Socket
Open End Wrench
3/8" Torque Wrench
Hack Saw



Attaching Clamp Kit to Mast Arm or Pole

1. Loosen the eight (8) 5/16" bolts on the cable plates.
2. Adjust the nuts flush to the top of the cable screw as shown. (Figure 1)
3. Feed the wiring from the mast arm through the center of the clamp kit and position on the mast arm as desired. (Figure 1)
4. Place the cable screw assemblies in the casting pawls of the female clamp as shown. (Figure 2)
5. Pull the cable loop to tighten the cable on the mast arm.
6. Torque the eight (8) cable plate 5/16" bolts to 18 ft-lb. **DO NOT OVERTIGHTEN.**
7. Snug the nuts on both of the cable screw assemblies just enough to hold the clamp kit in position.
8. Plumb and level the clamp kit as needed on the mast arm and using a 3/8" open end wrench, hold the cable screw and torque the left cable screw assembly nut to 22 ft-lb. (Figure 2). Do not allow cable to rotate while torquing nut.
9. Torque the (2) 7/16" hex bolts on the female half of the clamp kit to 22 ft-lb of torque. **DO NOT OVERTIGHTEN.**
10. Using a 3/8" open end wrench, hold the cable screw and torque the right cable screw assembly nut to 22 ft-lb. (Figure 2). Do not allow cable to rotate while torquing nut.

Continued on back

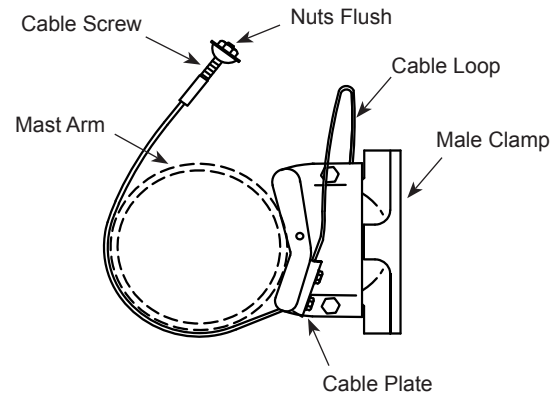


Figure 1

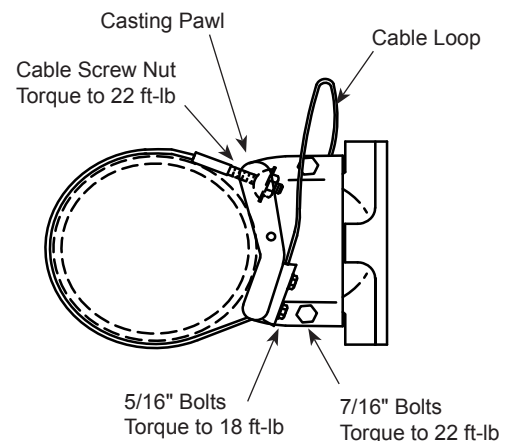


Figure 2

INSTALLATION INSTRUCTIONS

AS-3009 STELLAR CLAMP ASSY

3/16" Cable Mount

Continued from front

Signal Assembly:

11. Position the lower arm centered on the signal with the tube channel in the back. Using the hardware kit(s) without the neoprene gasket(s), mount the arm to bottom of the signal(s). Torque the bolts to 6 ft-lb. DO NOT OVERTIGHTEN. (Figure 3).
12. Screw the tube/gusseted tube into the lower arm stopping at a point where the channel (if using a gusseted tube) is facing away from the signal. (Figure 4)
13. Slide the upper arm(s) down over the top of the tube and secure to the signal(s) using the hardware kit(s) with the rubber gasket(s). (Figure 3)
14. Torque the set screws to 13 ft-lb in the upper and lower arms. DO NOT OVERTIGHTEN. (Figure 4)
15. Optional: Using the hack saw, cut off any excess tube protruding above the upper arm. (Figure 4)
16. Mount the tube assembly (with its attachments installed) into the male of clamp kit. Insert the v-bolts as shown and attach with lock washers and nuts. (Figure 5). Position the signal to the desired height and direction, torque nuts on (2) 5/16" v-bolts to 13 ft-lb. DO NOT OVERTIGHTEN.
17. Route the wiring through the tube, through the lower arm, and to the signal connections. (Figure 3)
18. Cut the PVC insert to size and insert in the tube.
19. Slide in the bottom cover(s) and snap into place.
20. Install the AB-0506 cable Ty-Back Restraining Clamp per separate Instruction Bulletin No. 2037 to provide a neater cable appearance and a positive cable restraint. (Figure 5)

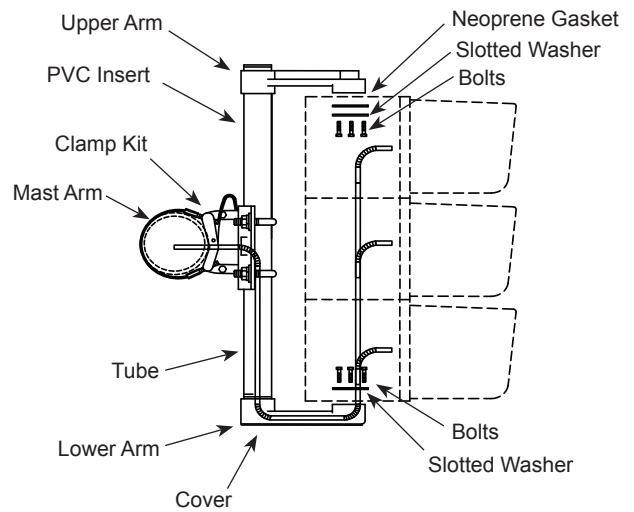


Figure 3

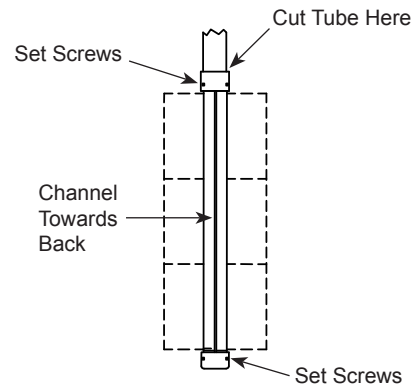


Figure 4

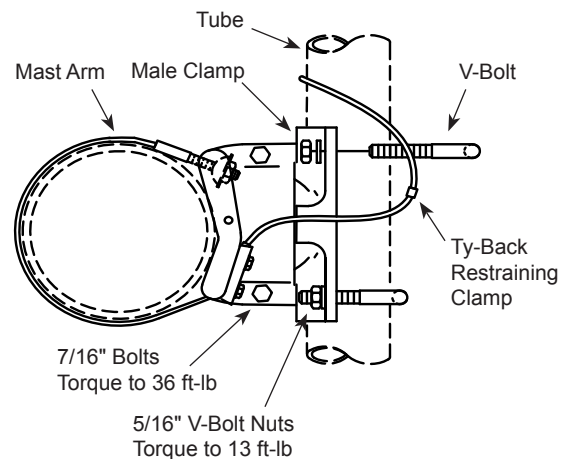


Figure 5

COVERED BY ONE OR MORE OF THE FOLLOWING U.S. PATENTS:
3586280, 3764099, 3854685, 4659046. OTHERS PENDING.

