

Flasher Controllers

Aluminum Flasher Cabinets are weather resistant and are available for rear, top and bottom mounting. Various brackets are available for mounting to wood or metal poles. A complete line of Type II or Police Type cabinets are available.



Flasher Controller Assy w/ 5-Pin Flasher



SE-1000 - -

Mount Coating

T=Top Mount PNC=Process No Color
 B=Bottom Mount P__=Paint
 R=Rear Mount
 TB=Top/Bottom Mount
 TBR=Top/Bottom & Rear Mount
 NM=No Mount



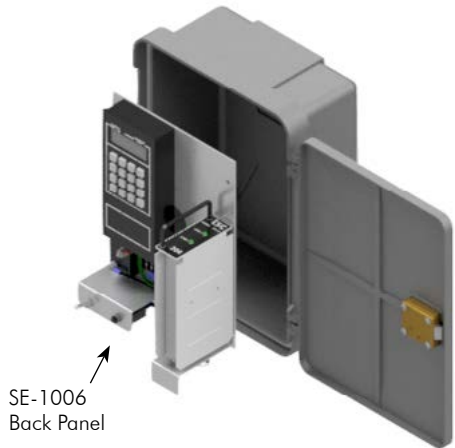
Top/Bottom Mount



Rear Mount

Note:
Includes Time Clock, Lightning Arrestor, Circuit Breaker & Toggle Switch.

Flasher Controller Assy w/ Nema Flasher



SE-1004 - -

Mount Coating

T=Top Mount PNC=Process No Color
 B=Bottom Mount P__=Paint
 R=Rear Mount
 TB=Top/Bottom Mount
 TBR=Top/Bottom & Rear Mount
 NM=No Mount



Top/Bottom Mount



Rear Mount

Note:
Includes Time Clock, Lightning Arrestor, Circuit Breaker & Toggle Switch.

Note: 1. All assemblies are supplied standard with stainless steel fasteners.
 2. See Reference Section for available paint colors.



Flasher Controllers

Aluminum Flasher Cabinets are weather resistant and are available for rear, top and bottom mounting. Various brackets are available for mounting to wood or metal poles. A complete line of Type II or Police Type cabinets are available.

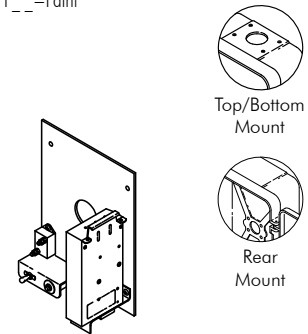


Flasher Controller Cabinet Assy w/o Time Clock, Alum



SE-1014 - - -

Mount	Flasher	Coating
T=Top Mount B=Bottom Mount R=Rear Mount TB=Top/Bottom Mount TBR=Top/Bottom & Rear Mount NM=No Mount	Blank=None F=Nema Flasher	PNC=Process No Color P__=Paint



SE-1015, Backpanel with Flasher

Note:
Includes Lightning Arrestor, Circuit Breaker & Toggle Switch. Nema Flasher optional.

Flasher Cabinet Assy w/ Police Type Lock



SE-1002 - -

Mount	Coating
T=Top Mount B=Bottom Mount R=Rear Mount TB=Top/Bottom Mount TBR=Top/Bottom & Rear Mount NM=No Mount	PNC=Process No Color P__=Paint



Note: 1. All assemblies are supplied standard with stainless steel fasteners.
2. See Reference Section for available paint colors.

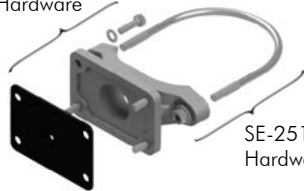


Mounting Assemblies

Aluminum Flasher Cabinets are weather resistant and are available for rear, top and bottom mounting. Various brackets are available for mounting to wood or metal poles. A complete line of Type II or Police Type cabinets are available.



SE-2518-SS
Gasket & Hardware



SE-2517-SS
Hardware Kit

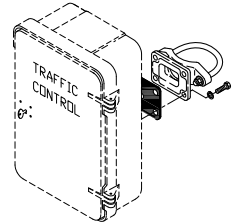
Mounting Kit, 4" (4-1/2" OD) Post

SE-1100 -

Coating

PNC=Process No Color

P__=Paint



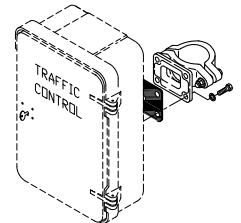
Mounting Kit, 3" (3-1/2" OD) Post

SE-1101 -

Coating

PNC=Process No Color

P__=Paint



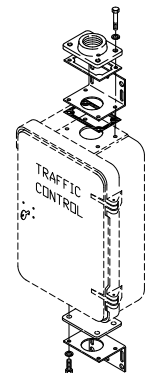
Mounting Kit, Wood Pole w/ 1-1/2" Single Hub & Closure Plate

SE-1103 -

Coating

PNC=Process No Color

P__=Paint



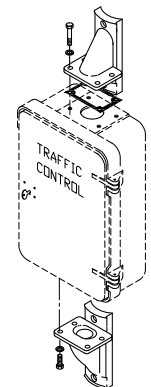
Mounting Kit, Sweep Elbows

SE-1104 -

Coating

PNC=Process No Color

P__=Paint



Note: 1. All assemblies are supplied standard with stainless steel fasteners.
2. See Reference Section for available paint colors.



Type I & Type IB Police Lock

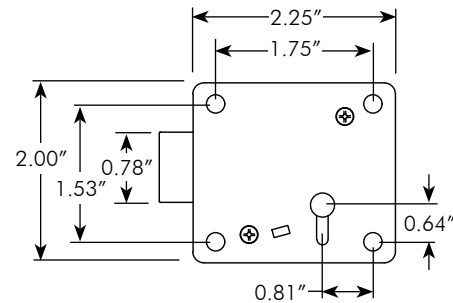
Aluminum Flasher Cabinets are weather resistant and are available for rear, top and bottom mounting. Various brackets are available for mounting to wood or metal poles. A complete line of Type II or Police Type cabinets are available.



Cabinet Lock, Police Type I

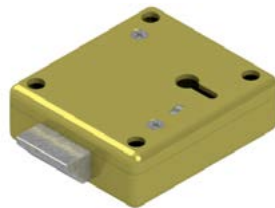
SM-1012 -  - BRS

- Keys
- OK=Lock Only
 - 1SK=Lock w/ 1 Short Key
 - 2SK=Lock w/ 2 Short Keys
 - 1LK=Lock w/ 1 Long Key
 - 2LK=Lock w/ 2 Long Keys



SM-0109-BRS **Short Key, Type I Cabinet Lock, 1-3/4"**

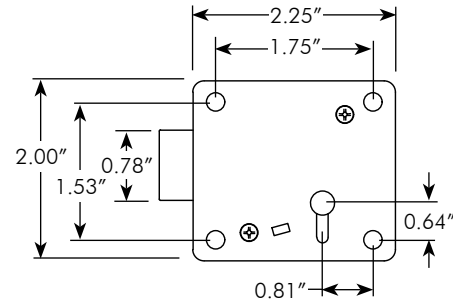
SM-0200-BRS **Long Key, Type I Cabinet Lock, 2-5/8"**



Cabinet Lock, Type IB

SM-1021 -  - BRS

- Keys
- OK=Lock Only
 - 1SK=Lock w/ 1 Short Key
 - 2SK=Lock w/ 2 Short Keys



SM-0213-PNC **Short Key, Type IB Cabinet Lock, 1-3/4"**

Note: 1. Specify key options when ordering.

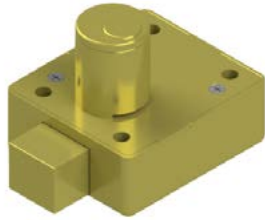



Type II Tumbler Lock

Aluminum Flasher Cabinets are weather resistant and are available for rear, top and bottom mounting. Various brackets are available for mounting to wood or metal poles. A complete line of Type II or Police Type cabinets are available.

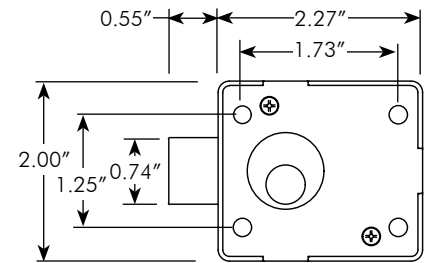


Cabinet Lock, Type II Square Latch



Keys
SM-1026 -  - BRS


OK=Lock Only
1K=Lock w/ 1 Key
2K=Lock w/ 2 Keys



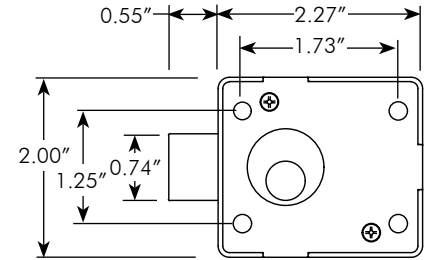
Note:
Right hand shown, left hand opposite.

Cabinet Lock, Type II Tapered Latch



Keys
SM-1023 -  - BRS

OK=Lock Only
1K=Lock w/ 1 Key
2K=Lock w/ 2 Keys



Note:
Right hand shown, left hand opposite.



SM-0198-2-CRM **Key, Type II Cabinet Lock**



SM-0198-B-CRM **Blank Key, Type II Cabinet Lock**

Note: 1. Unless otherwise specified, all locks will be provided to fit a Type II Key. All locks can be supplied with other key configurations upon request at an additional charge.

