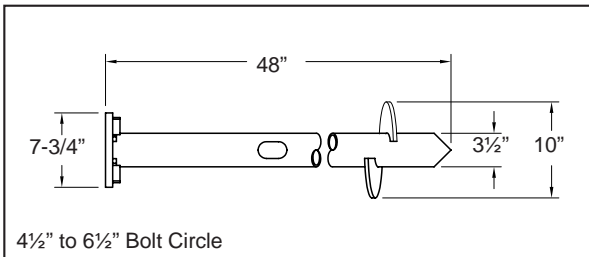
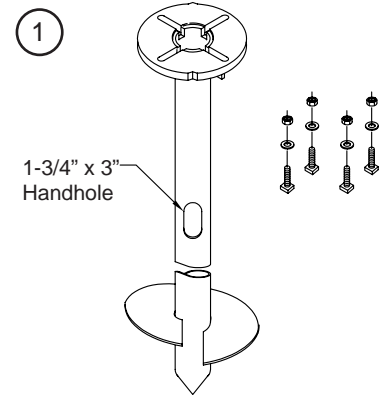


3" FOUNDATION ANCHOR ASSEMBLY



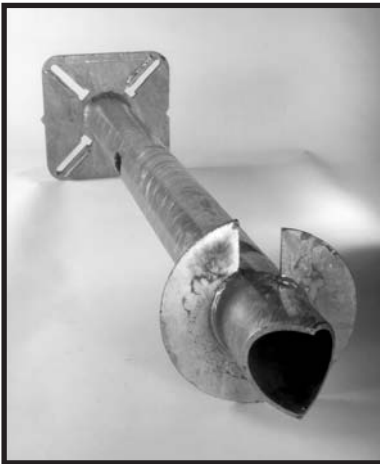
For residential, ornamental and walkway lighting with small bases.

Pelco's foundation anchors feature a top plate which enables the bolt head to be inserted after the anchor is in place. This eliminates the necessity of digging under the plate to install base bolts. Plate scrapers loosen the soil for easy bolt installation from top of the plate. The bolt is held by the plate scraper which prevents it from turning.



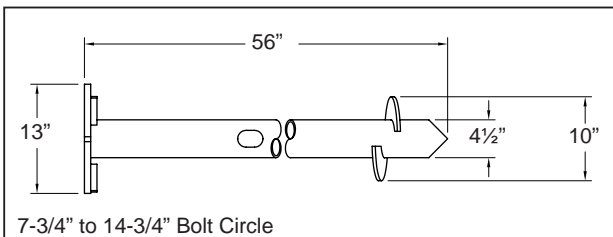
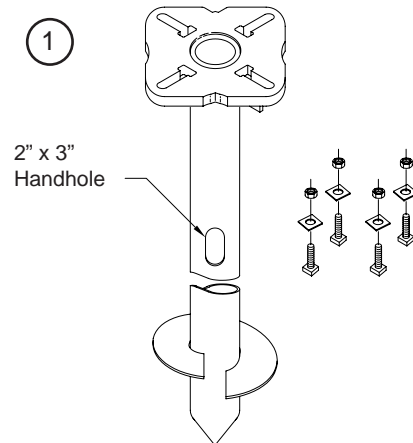
ITEM	DESCRIPTION	PART NO.
1	Foundation Anchor Assembly, 3" With 1/2"-13NC Galvanized Hardware Kit (wt. 43 lbs.)	PB-5369

4" FOUNDATION ANCHOR ASSEMBLY



For residential lights, parking lots, and street lights. Typically for pole heights up to 16'.

Plate scrapers loosen the soil for easy bolt installation from top of the plate. The bolt head to be inserted after the anchor is in place. This eliminates the necessity of digging under the plate to install base bolts. Plate scrapers loosen the soil for easy bolt installation from top of the plate. The bolt is held by the plate scraper which prevents it from turning.



ITEM	DESCRIPTION	PART NO.
1	Foundation Anchor Assembly, 4" With 3/4"-10NC Galvanized Hardware Kit (wt. 82 lbs.)	PB-5364

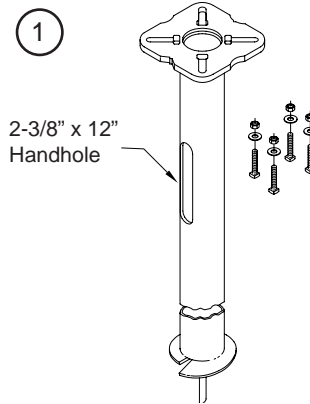
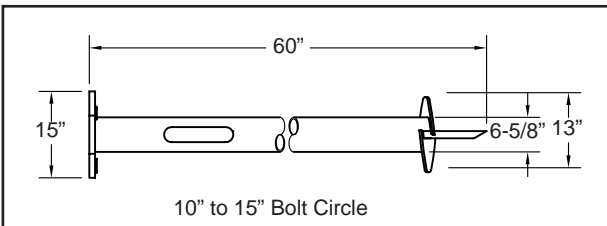
Note: Foundation and hardware are hot dip galvanized per ASTM A123. Hardware kits are supplied with Grade 5 Bolts.

6" MEDIUM FOUNDATION ANCHOR ASSEMBLY



For residential, ornamental and walkway lighting with small bases. Typically for poles ranging from 20' to 30' in height.

Pelco's foundation anchors feature a top plate which enables the bolt head to be inserted after the anchor is in place. This eliminates the necessity of digging under the plate to install base bolts. Plate scrapers loosen the soil for easy bolt installation from top of the plate. The bolt is held by the plate scraper which prevents it from turning.

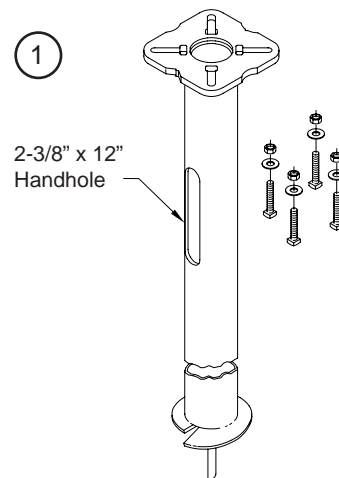
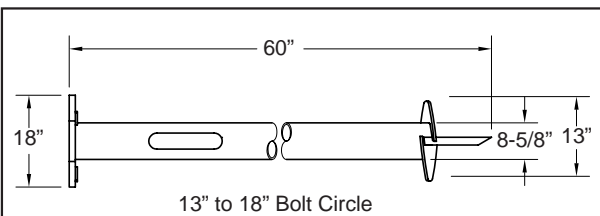


ITEM	DESCRIPTION	PART NO.
1	Medium Foundation Anchor Assy., 6"..... With 1"-8NC Galvanized Hardware Kit (wt. 150 lbs.)	PB-5372

8" HEAVY DUTY FOUNDATION ANCHOR ASSEMBLY

For street and highway lighting. Typically for poles ranging from 30' to 50' in height.

Pelco's foundation anchors feature a top plate which enables the bolt head to be inserted after the anchor is in place. This eliminates the necessity of digging under the plate to install base bolts. Plate scrapers loosen the soil for easy bolt installation from top of the plate. The bolt is held by the plate scraper which prevents it from turning.



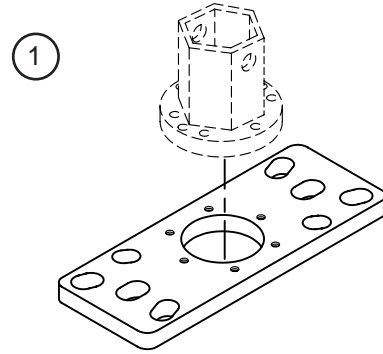
ITEM	DESCRIPTION	PART NO.
1	Heavy Duty Foundation Anchor Assy., 8"..... With 1-1/4"-7NC Galvanized Hardware Kit (wt. 234 lbs.)	PB-5372

Note: Foundation and hardware are hot dip galvanized per ASTM A123. Hardware kits are supplied with Grade 5 Bolts.

DRIVER ADAPTER



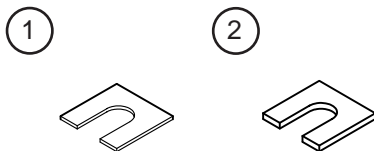
Required to connect the Kelly Bar adapter to the foundation anchor for installation. Special hole pattern permits installation of foundation anchors having bolt circle diameters of 9" to 13".



ITEM	DESCRIPTION	PART NO.
1	Driver Adapter for Foundation Anchor.....	PB-0604

SHIMS

Shims available in two thicknesses.

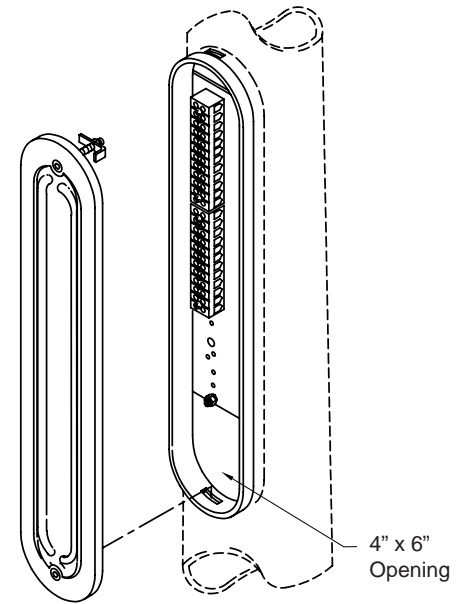


ITEM	DESCRIPTION	PART NO.
1	Shim, Steel, 1/16" x 2" x 2"	PB-0602
2	Shim, Steel, 1/8" x 2" x 2"	PB-0603

ITC ACCESS COMPARTMENTS

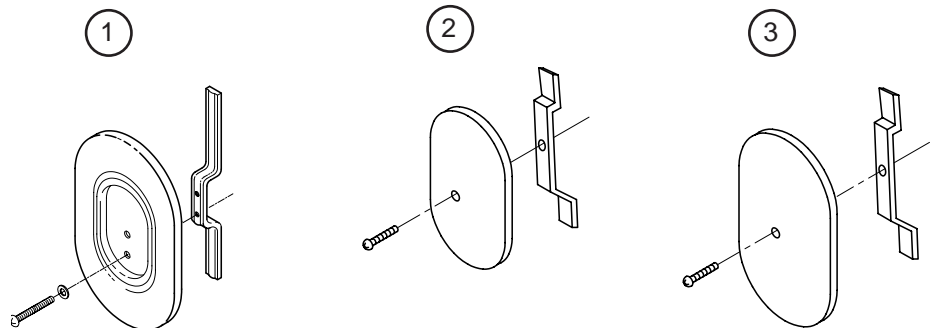


OPTIONS
TERMINAL BLOCK
Compression, 85 Amp 600 Volt
Compression, 65 Amp 600 Volt
Barrier, 30 Amp 300 Volt
DOUBLE FUSE BLOCK



ITEM	DESCRIPTION	PART NO.
1	ITC Access Compartment Assy, 3/8" x 4-3/4" x 27" w/ Terminal Blocks & Ground Connector.	AP-1083

HAND HOLE COVERS



OPTIONS
PAINT

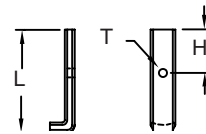
ITEM	DESCRIPTION	PART NO.
1	Universal Hand Hole Cover Assy., ABS Fits Hand Hole sizes from 2-3/4" x 4 1/2" to 5" x 8"	PB-5356
2	Hand Hole Cover Assy., Steel, 4" x 6"	AP-1090
3	Hand Hole Cover Assy., Steel, 5" x 8"	AP-1091



ITEM	DESCRIPTION	PART NO.
1	TRANSFORMER DOOR, Plastic.....	PB-0522

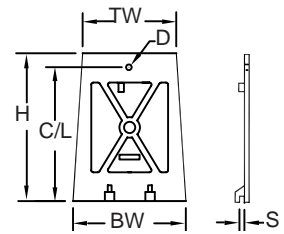
Notes:

1. All assemblies are supplied standard with stainless fasteners.
2. Doors w/ latches include latch & vandal-resistant screw. Doors without latches are shipped without hardware.
3. Please specify options when ordering.

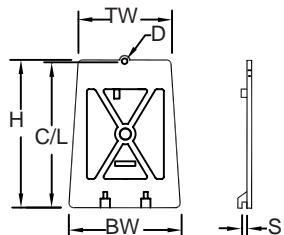


Door Latch

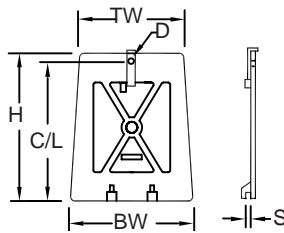
PB-0522 OPTION	DESCRIPTION	S	C/L	DOOR SIZE			HOLE D	LATCH		
				H	TW	BW		L	H	T
03	Valmont, Flat	5/16"	12-5/8"	13-3/4"	7-15/16"	9 1/4"	3/8"	N/A	N/A	N/A
04	Union Metal, Flat	5/16"	13-5/16"	13-15/16"	7-59/64"	9 1/4"	3/8"	N/A	N/A	N/A



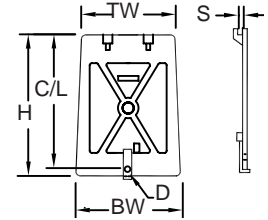
PB-0522 OPTION	DESCRIPTION	S	C/L	DOOR SIZE			HOLE D	LATCH		
				H	TW	BW		L	H	T
05-06	Valmont-Akron, Flat (TB-1AF, TB-2AF, TB-3AF)	1/4"	13-1/2"	13-1/4"	9-1/8"	9-1/2"	3/8"	N/A	N/A	N/A
07	A.B. Chance, Flat	3/8"	13-5/16"	13-7/8"	9-1/16"	9-13/16"	3/8"	N/A	N/A	N/A
12	Hapco, Flat (56631, 56632)	5/16"	13-5/8"	13-7/16"	9-1/8"	9-5/8"	3/8"	N/A	N/A	N/A
19	P & K, C-98612, Flat (M-81)	3/8"	16-21/32"	16 1/2"	10 1/2"	13 1/2"	11/32"	N/A	N/A	N/A



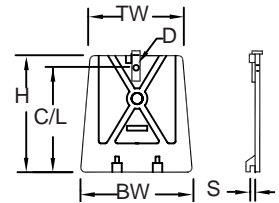
PB-0522 OPTION	DESCRIPTION	S	C/L	DOOR SIZE			HOLE D	LATCH		
				H	TW	BW		L	H	T
01	Kaiser, Curved w/ Latch	3/8"	13-3/4"	14-7/8"	10-5/8"	11-3/4"	11/32"	4-5/8"	1-3/4"	5/16"-18
08	P & K, Flat w/ Latch (TB2A, TB2C, TB5C)	1/4"	11-7/8"	13 1/4"	8 1/4"	9-15/16"	11/32"	3 1/4"	1-3/4"	5/16"-18
09	P & K, Curved w/ Latch (TBJ-6)	1/4"	11-7/8"	13 1/4"	8 1/4"	9-15/16"	11/32"	3 1/4"	1-3/4"	5/16"-18
15	AKRON, Flat w/ Latch (TB20S)	1/4"	12"	13-3/8"	9-1/8"	9-5/8"	5/16"	3-3/8"	1-7/8"	1/4"-20
16	AKRON, Flat Short w/ Latch (TB-17S)	5/16"	11-1/8"	11-23/32"	9-1/8"	9-5/8"	5/16"	2-3/8"	1-1/8"	1/4"-20
21	AKRON, Curved w/ Latch (POLE LITE S1A)	3/8"	12"	13 1/2"	8-9/16"	10"	11/32"	3 1/4"	1-3/4"	5/16"-18
22	AKRON, Curved w/ Latch (FP-5190)	3/8"	12"	13-5/16"	8 1/2"	9 1/2"	11/32"	3 1/4"	1-3/4"	5/16"-18



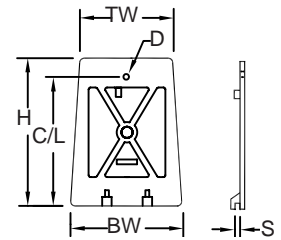
PB-0522 OPTION	DESCRIPTION	S	C/L	DOOR SIZE			HOLE D	LATCH		
				H	TW	BW		L	H	T
10	P & K, Flat w/ Latch (REVERSED OPENING TB-1, TB-2)	9/16"	12"	13-3/8"	8-3/8"	9-5/8"	11/32"	3/4"	1-3/4"	5/16"-18



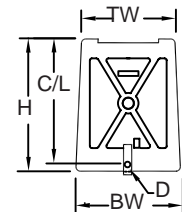
PB-0522 OPTION	DESCRIPTION	S	C/L	DOOR SIZE			HOLE D	LATCH		
				H	TW	BW		L	H	T
11	P & K, Flat Short w/ Latch (TB-4)	5/16"	9-13/16"	11-1/8"	9-9/16"	11-5/8"	11/32"	3/4"	1-3/4"	5/16"-18



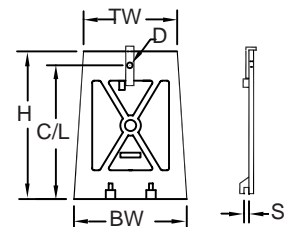
PB-0522 OPTION	DESCRIPTION	S	C/L	DOOR SIZE			HOLE D	LATCH		
				H	TW	BW		L	H	T
13	Valmont, Flat	5/16"	12-15/16"	13-7/8"	7-15/16"	9/4"	3/8"	N/A	N/A	N/A
25	FAB, Flat	5/16"	12-7/8"	13-5/8"	8 1/2"	9-3/4"	5/16"	N/A	N/A	N/A



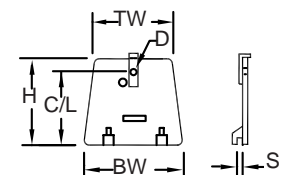
PB-0522 OPTION	DESCRIPTION	S	C/L	DOOR SIZE			HOLE D	LATCH		
				H	TW	BW		L	H	T
17	Akron, Flat, Hinged w/ Latch (REVERSED OPENING TB-20H)	N/A	12-1/8"	13-3/4"	9-1/8"	9-1/2"	5/16"	4-5/8"	1-3/4"	1/4"-20
18	Akron, Flat, Hinged w/ Latch (REVERSED OPENING TB-17H)	N/A	10-3/16"	11-5/8"	9-1/8"	9-11/16"	5/16"	3-3/8"	1-7/8"	1/4"-20
28	Akron, Flat, Hinged w/ Latch	N/A	12-3/4"	13-7/8"	8"	9-13/32"	11/32"	4-5/8"	1-3/4"	1/4"-20



PB-0522 OPTION	DESCRIPTION	S	C/L	DOOR SIZE			HOLE D	LATCH		
				H	TW	BW		L	H	T
24	Union Metal, Flat w/ Latch (TB-4)	5/16"	3-5/16"	13-3/4"	7-59/64"	9/4"	13/32"	3-3/8"	11/16"	3/8"-16



PB-0522 OPTION	DESCRIPTION	S	C/L	DOOR SIZE			HOLE D	LATCH		
				H	TW	BW		L	H	T
14	P & K, Curved Small w/ Latch (HBS-6)	7/32"	4 1/2"	5 1/4"	5-3/16"	6"	9/32"	2-3/8"	1-1/8"	1/4"-20





ITEM	DESCRIPTION	PART NO.
1	Anchor Bolt Template, ABS Plastic.....	AP-3085

- Quick, easy set-up in minutes
- 41 different bolt circle patterns 5½"-25½"
- Easy guide divots every 1/2"

The Bolt Template is a "tool" used for layout of bolts to be used in concrete for the future installation of poles. Constructed of UV stabilized ABS plastic the Bolt Template may be used for various bolt patterns from 5½" up to 25½". Accepts multiple conduits through the center with the capacity for up to two 2" conduits and multiple smaller conduits at one time.

