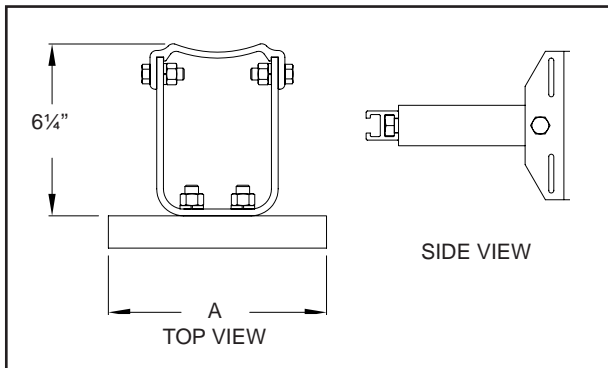
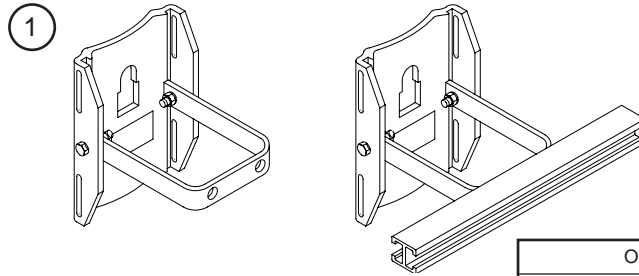


CONDUIT STAND-OFF BRACKETS W/ 6" STAND-OFF (Wood, Steel or Concrete Pole)



A multipurpose bracket with a 6" stand-off for mounting 1" through 6" conduit. Available with various H-bar lengths which capture 1/2" bolt heads. Mounts to the pole with 5/8" thru-bolt, 1/2" lag screw, or 1 1/2" banding material (not supplied). Bracket in photograph shown with a preformed conduit strap.

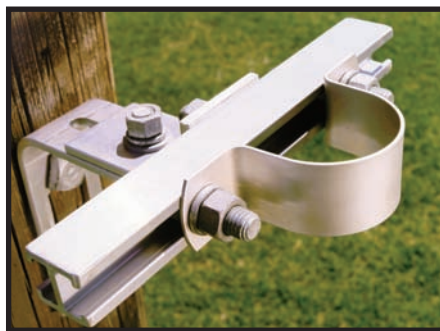


OPTIONS	
H-BAR LENGTH (A dim):	
6", 9 1/2", 12", 24", 30", or 36"	
(available without H-BAR)	

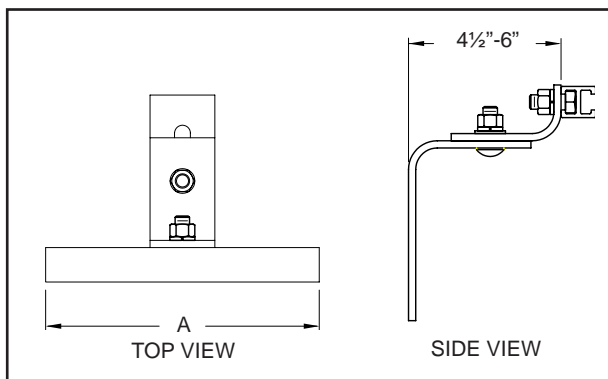
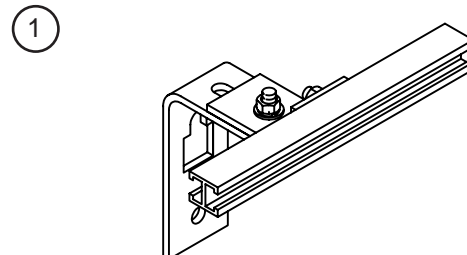
ITEM	DESCRIPTION	PART NO.
1	Conduit Stand-Off Bracket, Alum.	SP-6060

Please specify H-bar length when ordering.

ADJUSTABLE CONDUIT STAND-OFF BRACKETS (Wood Pole)



This bracket for mounting 1" through 6" conduit can adjust from a 4 1/2" to 6" stand-off. Available with various H-bar lengths which capture 1/2" bolt heads. Mounts to the pole with 5/8" thru-bolt or 1/2" lag screw. (not supplied). Bracket in photograph shown with a preformed conduit strap.



OPTIONS	
H-BAR LENGTH (A dim):	
6", 9 1/2", 12", 24", 30", or 36"	
(available without H-BAR)	

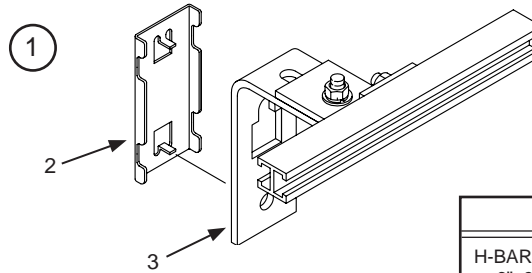
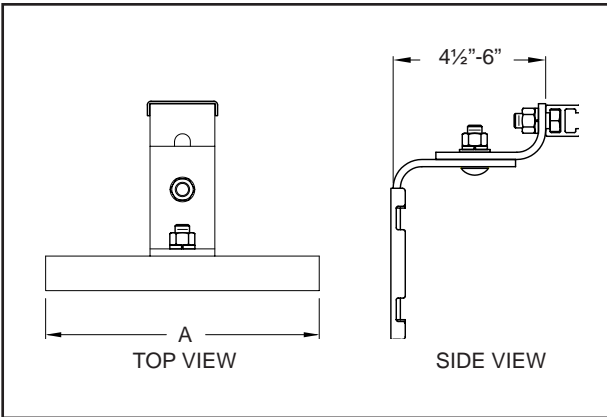
ITEM	DESCRIPTION	PART NO.
1	Adjustable Conduit Stand-Off Bracket, Alum.	SP-6042

Please specify H-bar length when ordering.

ADJUSTABLE CONDUIT STAND-OFF BRACKET (Wood, Steel or Concrete Poles)



This bracket for mounting 1" through 6" conduit can adjust from a 4½" to 6" stand-off. Available with various H-bar lengths which capture ½" bolt heads. Mounts to the pole with 5/8" thru-bolt, 1/2" lag screw, or banding material (not supplied). Shown in photograph with a preformed conduit strap.

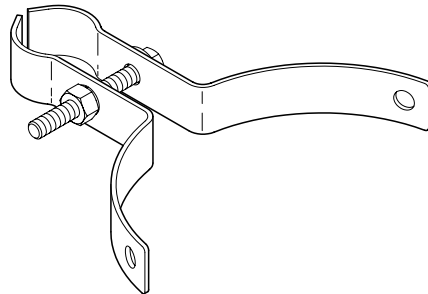


OPTIONS	
H-BAR LENGTH (A dim):	
6", 9½", 12", 24", 30", or 36"	
(available without H-BAR)	

ITEM	DESCRIPTION	PART NO.
1	Adjustable Conduit Stand-off Bracket..... with Band Retainer, Alum	SP-6046
2	Band Retainer, Alum	SP-6045
3	Adjustable Conduit Stand-off Bracket.....	SP-6042

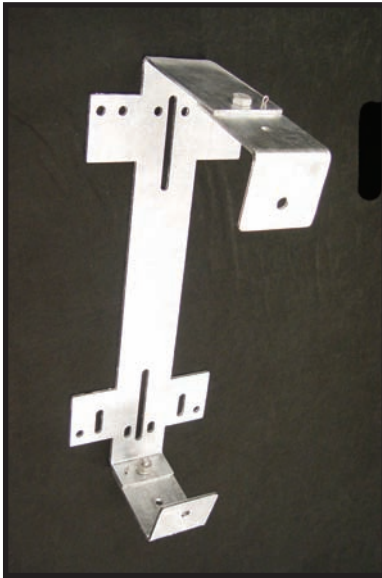
Please specify H-bar length when ordering.

CONDUIT STAND-OFF BRACKET (Wood Poles)

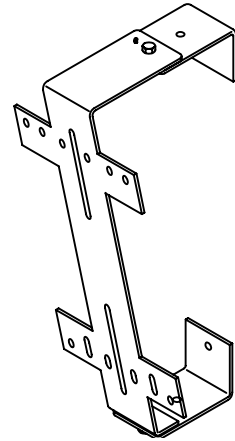


ITEM	DESCRIPTION	PART NO.
1	Conduit Stand-off Bracket For Wood Poles, Steel	SP-6176

SWITCH MOUNTING BRACKET



Three-piece galvanized steel mounting bracket. Designed to mount fuse and disconnect switches to a wood pole.

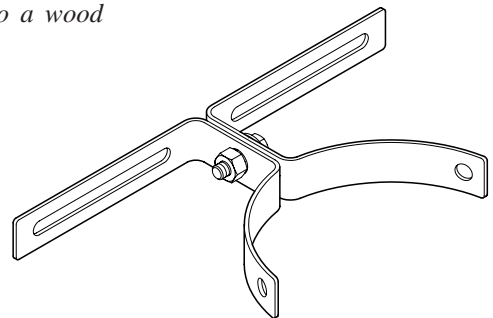


ITEM	DESCRIPTION	PART NO.
1	Switch Mounting Bracket, Steel.	SP-6019

METER LOOP CABINET BRACKET



Two-piece galvanized steel mounting bracket. Designed to mount cabinet to a wood pole.



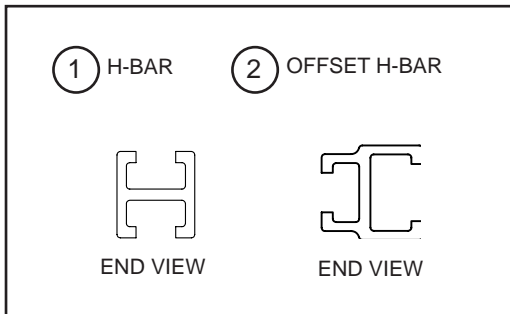
ITEM	DESCRIPTION	PART NO.
1	Meter Loop Cabinet Bracket, Slotted For Wood Pole.....	SP-6175

2-WAY H-BARS

Extruded aluminum H-bars can be used for a variety of mounting applications and can be ordered in various lengths. The standard 2-way H-bar is designed to capture 1/2" bolt heads and the offset H-bar is designed to capture 1/2" and 5/8" bolt heads.



OPTIONS
BAR LENGTH: 6", 8", 9 1/2", 12", 18", 24", 30", 36", 48", 60" or 122"

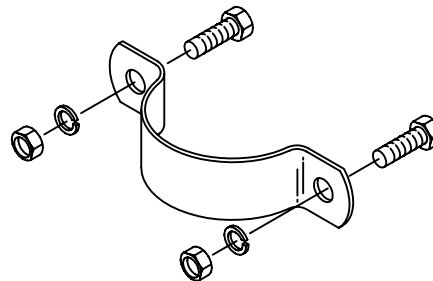
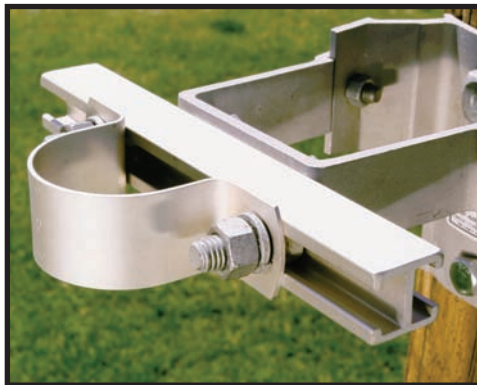


ITEM	DESCRIPTION	PART NO.
1	2-Way H-bar, Alum..... (Captures 1/2" Bolt Heads)	SP-6025
2	2-Way H-bar, Alum..... (Captures 1/2" and 5/8" Bolt Heads)	SP-6048

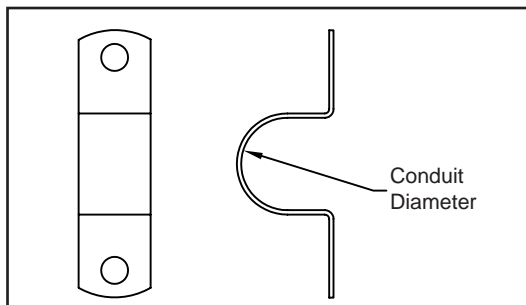
Please specify H-bar length when ordering.

PREFORMED CONDUIT STRAPS

Prefomed 0.09" x 1 1/2" straps available for 1" through 6" conduit. Each strap comes complete with (2) each galvanized hex head bolts, split lock washers, and hex nuts. Available with 1 1/4" or 2" long bolts.



OPTIONS
CONDUIT SIZE: 1", 2", 2 1/2", 3", 4", 5", or 6"
STAINLESS HARDWARE



ITEM	DESCRIPTION	PART NO.
1	Prefomed Conduit Strap, Alum (With (2) ea. 1/2"-13NC x 1 1/4" galv bolts, lock washers, & nuts)	SP-6027
2	Prefomed Conduit Strap, Alum (With (2) ea. 1/2"-13NC x 2" galv bolts, lock washers, & nuts)	SP-6049

Please specify conduit size when ordering.

E-Z BAND RETAINING KITS



Extruded aluminum fittings with galvanized carriage bolt, flat washer, and square nut. To be used with USA Band for mounting brackets to pole. Available in sizes for 3/4" and 1-1/4" bands.



ITEM	DESCRIPTION	WEIGHT Lbs/Ea	PART NO.
1	EZ-Band Retaining Kit For use with 3/4" band (US-8122-06) Includes plated nut, bolt 3/4"-16 x 6" and washer	0.43	US-8500
2	Heavy-Duty EZ-Band Retaining Kit For use with 1-1/4" band (US-8124-62) Includes plated nut, bolt 5/8"-11 x 8" and washer	1.48	US-8504

BANDING

Catalog Number	Width		Thickness		Weight	
	Inches	mm	Inches	mm	Lbs	Kg
TYPE 201 STAINLESS STEEL - 100 Ft. Per Roll						
US-8122-04	1/2	12.70	.030	0.76	5.1	2.4
US-8122-05	5/8	15.88	.030	0.76	6.4	3.0
US-8122-06	3/4	19.05	.030	0.76	7.7	3.6
TYPE 316 STAINLESS STEEL BAND - 100 Ft. Per Roll						
US-8124-04	1/2	12.70	.030	0.76	5.1	2.4
US-8124-05	5/8	15.88	.030	0.76	6.4	3.0
US-8124-06	3/4	19.05	.030	0.76	7.7	3.6
GALVANIZED CARBON STEEL BAND - 100 Ft. Per Roll						
US-8123-04	1/2	12.70	.030	0.76	5.1	2.4
US-8123-05	5/8	15.88	.030	0.76	6.4	3.0
US-8123-06	3/4	19.05	.030	0.76	7.7	3.6

**SAFETY YELLOW
OR ORANGE PLASTIC
DISPENSING
CARTONS**



HEAVY DUTY (HD) BANDING

Heavy Duty Band is available in type 201, 316 and galvanized carbon steel. HD Band is designed for heavy duty applications and 1 1/4", 201 stainless steel band has a breaking strength of approximately 5500 lbs. We recommend double wrapping for maximum strength.

Catalog Number	Width		Thickness		Weight	
	Inches	mm	Inches	mm	Lbs	Kg
TYPE 201 HEAVY DUTY STAINLESS STEEL BAND - 100 Ft. Per Roll						
US-8124-30	3/4	19.05	.044	1.12	11.6	5.4
US-8124-31	1	25.40	.044	1.12	13.7	6.4
US-8124-32	1 1/4	31.75	.044	1.12	17.2	8.0
GALVANIZED CARBON STEEL BAND - 100 Ft. Per Roll						
US-8124-33	3/4	19.05	.048	1.14	11.5	5.2
US-8124-34	1	25.40	.048	1.14	15.3	6.9
US-8124-35	1 1/4	31.75	.048	1.14	19.1	8.6



BAND STRAP .015" (.38mm) THICK - 200-300 Stainless Steel

Catalog Number	Width		Weight		Package Quantity
	Inches	mm	Inches	mm	
US-8121-34	1/2	12.70	2.9	1.3	100 Ft. Roll
US-8121-35	5/8	15.88	3.6	1.7	100 Ft. Roll
US-8121-36	3/4	19.05	4.4	2.0	100 Ft. Roll
US-8121-28	1/2	12.70	5.8	2.6	200 Ft. Roll
US-8121-29	5/8	15.88	7.3	3.2	200 Ft. Roll
US-8121-30	3/4	19.05	8.8	3.9	200 Ft. Roll



BUCKLES

Catalog Number	Width		Weight	
	Inches	mm	Lbs	Kg

TYPE 201 STAINLESS STEEL BUCKLES - Package Quantity 100

US-8122-54	1/2	12.70	2.1	1.0
US-8122-55	5/8	15.88	2.4	1.1
US-8122-56	3/4	19.05	3.7	1.7

TYPE 316 STAINLESS STEEL BUCKLES - Package Quantity 100

US-8124-54	1/2	12.70	2.1	1.0
US-8124-55	5/8	15.88	2.4	1.1
US-8124-56	3/4	19.05	3.7	1.7

GALVANIZED CARBON STEEL BUCKLES - Package Quantity 100

US-8123-54	1/2	12.70	2.1	1.0
US-8123-55	5/8	15.88	2.4	1.1
US-8123-56	3/4	19.05	3.7	1.7



HEAVY DUTY BUCKLES

Heavy Duty Buckles are offered in widths and metals to correspond to Heavy Duty Band. Clamps may be double wrapped for extra strength.

Catalog Number	Width		Weight	
	Inches	mm	Lbs	Kg

TYPE 201/301 STAINLESS STEEL - Package Quantity 25

US-8124-40	3/4	19.05	1.8	0.8
US-8124-41	1	25.40	2.4	1.1
US-8124-42	1 1/4	31.75	3.2	1.4



BAND CLIPS

Catalog Number	Width		Weight	
	Inches	mm	Lbs	Kg

TYPE 201 STAINLESS STEEL BAND CLIPS - Package Quantity 100

US-8121-54	1/2	12.70	2.1	1.0
US-8121-55	5/8	15.88	2.4	1.1
US-8121-56	3/4	19.05	3.7	1.7



A-SCREW LOCK BUCKLES - Stainless Steel

Catalog Number	Width		Weight		Package Quantity
	Inches	mm	Inches	mm	

US-8127-24	1/2	12.70	2.1	1.0	25
US-8127-25	5/8	15.88	2.4	1.7	25
US-8127-66	3/4	19.05	3.7	1.7	25



Width Inches	Thickness	201 Force	316 Force	Thickness	Force	Thickness	Force	Thickness	Force
1/2	.030	1500	1200	.015	600	.020	850	.025	1050
5/8	.030	1875	1500	.015	750	-	-	-	-

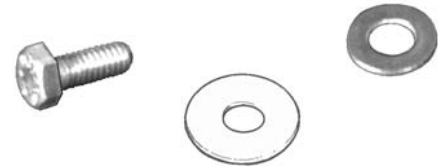
SIGN MOUNTING BRACKETS

Catalog Number	Description	Weight	
		Lbs	Kg
1-BOLT STRAIGHT LEG BRACKET (.075" THICK) - 50 Per Package			
US-8121-00	Stainless Steel with SS Bolt, Washer and Fiber Washer	7.3	3.3
US-8120-04	Stainless Steel without Bolt or Washer		
US-8120-11	Zinc Plated Steel with Carbon Bolt, Washer and Fiber Washer	7.6	3.5
1-BOLT FLARED LEG BRACKET (.075" THICK) - 50 Per Package			
US-8120-21	Stainless Steel with SS Bolt, Washer	7.6	3.5
US-8120-31	Zinc Plated Steel with Carbon Bolt, Washer and Fiber Washer	7.4	3.4



BOLTS, WASHERS for BRACKETS - 50 Per Box

Catalog Number	Description
US-8120-02	Bolts, Stainless Steel for Stainless Brackets (5/16 - 18 x 3/4" Long Hex Head)
US-8120-80	Bolts, Zinc Plated Steel for Carbon Steel Brackets (5/16 - 18 x 3/4" Long Hex Head)
US-8120-03	Fiber Washers



TRAFFIC SIGNAL/BANNER ROD MOUNTING BRACKET - Per Each

Aluminum brackets strap to poles to mount traffic signal lights, street signs or banner rods. Use 3/4" x .030" stainless band and buckles.

Catalog Number	Description
SE-0357	Standard Mount - 1 1/2" NPS Hole
SE-4050	Narrow Mount - - 1 1/2" NPS Hole
SE-0384	Extended Mount - - 1 1/2" NPS Hole

See Pelco Catalog Section 11 for other available Mounting Hubs



MOUNTING PLATES - Per Each - Secure with band and buckles.

Strapping holds this extruded aluminum mounting plate to utility poles.

Catalog Number	Description	Weight Lbs/Ea
US-8125-10	Light Duty 1 1/2" x 4-3/4" w/ 5/8"-11 x 2" Plated Bolt	0.57
US-8125-12	Heavy Duty 1 1/2" x 5 1/4" w/ 5/8" -11 x 2" Plated Bolt	0.78
US-8125-11	Heavy Duty 1 1/2" x 5 1/4" w/ 5/8" -11 x 3" Plated Bolt	0.84
US-8125-13	Heavy Duty 1 1/2" x 5 1/4" w/ 3/4" -11 x 3" Plated Bolt	1.22



BAND TOOL

The USA BAND TOOL is forged double-plated tool capable of tensioning over 2400 lbs. The banding tool has a built-in cutter and a spring loaded gripper lever. The spin handle has a large retaining ring to keep the handle in place and can be used to hang on a tool belt.

Catalog Number	Description
US-8120-01	The USA Band Tool, Wt 4.4 lbs (2.0 kg) - <i>Package Quantity 1</i>
US-8120-43	Close Quarter Tension Nut. Replaces tool tension handle when space is limited. <i>Package Quantity 1</i>
US-8120-06	Tension Screw/Handle kit - <i>Package Quantity 1</i>

HEAVY DUTY BAND TOOL

The Heavy Duty TOOL must be used with all Heavy Duty Bands. The HD TOOL is 16½ inches long and is capable of up to 6,000 lbs. of tensioning.

Catalog Number	Description
US-8121-10	The Heavy Duty Tool, Wt 11.7 lbs (5.3 kg) - <i>Package Quantity 1</i>

