



www.pelcoinc.com
 EDMOND, OK 73013
 405-340-3434
 FAX: 405-340-3435

This drawing is for reference only. It is the property of Pelco and is not to be used in whole or in part without Pelco's permission.

ASSEMBLY SHEET

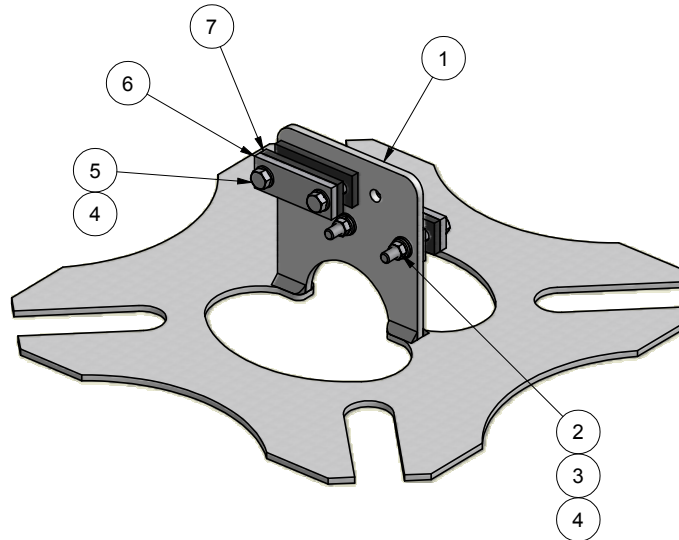
REF:

TITLE:

CABLE RETAINER ASSEMBLY,
 FOR 8" FOUNDATION ANCHOR

PART NO.:

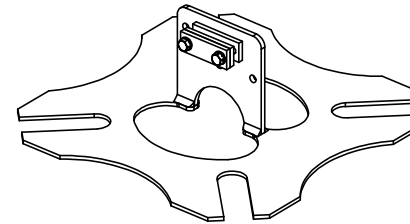
SP-6205



PART NO
SP-6205-X

SINGLE = 1
 DOUBLE = 2

2
 3
 4



SINGLE RETAINER
 OPTION

OPTIONS
SINGLE RETAINER
DOUBLE RETAINER

NOTE: DOUBLE RETAINER SHOWN

ITEM	PART NUMBER	DESCRIPTION	QTY
1	SP-6204	WELDMENT, CABLE RETAINER, FOR 8" FOUNDATION ANCHOR, STEEL	1
2	FS-1001-SS	NUT, HEX 5/16"-18, STAINLESS, 304, WAXED	4
3	FS-4201-SS	WASHER, LOCK SPLIT, 5/16", STAINLESS	4
4	FS-4101-SS	WASHER, FLAT, 5/16" X .750" OD STAINLESS	8
5	FS-2016-SS	BOLT, HEX HD TAP, 5/16"-18 X 2-1/4", STAINLESS	4
6	SP-6199-3	BAR, CABLE RETAINER ASSEMBLY, STEEL	2
7	SP-6199-4	PAD, CABLE RETAINER, 1/4" THICK, 40 DURO BLACK NEOPRENE	4

DRAWN: Kenneth George DATE: 4/8/2009

CHKD: RWOODS

DATE: 4/9/2009

REV:

REV

CHKD: DATE:

SHEET 1 OF 1