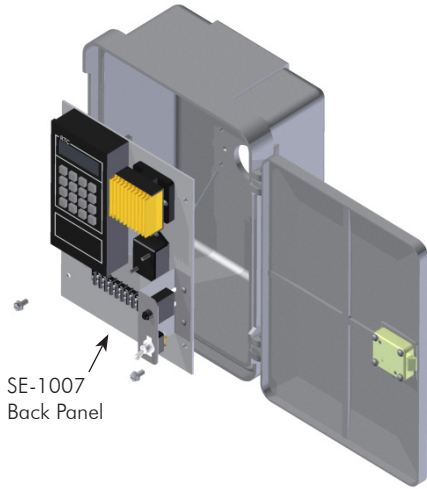


Flasher Controllers

Aluminum Flasher Cabinets are weather resistant and are available for rear, top and bottom mounting. Various brackets are available for mounting to wood or metal poles. A complete line of Type II or Police Type cabinets are available.



Flasher Controller Assy w/ 5-Pin Flasher

SE-1000 - -

Mount Coating

T=Top Mount PNC=Process No Color
 B=Bottom Mount P__=Paint
 R=Rear Mount
 TB=Top/Bottom Mount
 TBR=Top/Bottom & Rear Mount
 NM=No Mount

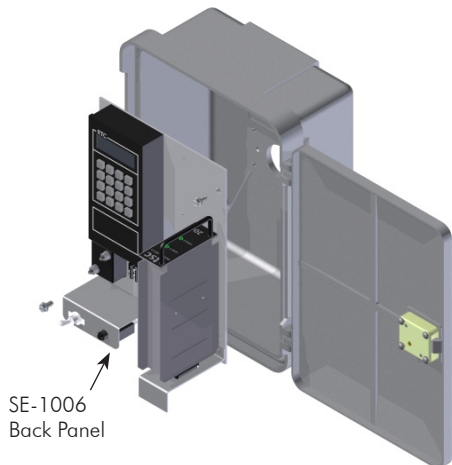


Top/Bottom Mount



Rear Mount

Note:
Includes Time Clock, Lightning Arrestor, Circuit Breaker & Toggle Switch.



Flasher Controller Assy w/ Nema Flasher

SE-1004 - -

Mount Coating

T=Top Mount PNC=Process No Color
 B=Bottom Mount P__=Paint
 R=Rear Mount
 TB=Top/Bottom Mount
 TBR=Top/Bottom & Rear Mount
 NM=No Mount



Top/Bottom Mount



Rear Mount

Note:
Includes Time Clock, Lightning Arrestor, Circuit Breaker & Toggle Switch.

Note: 1. All assemblies are supplied standard with stainless steel fasteners.
 2. See Reference Section for available paint colors.

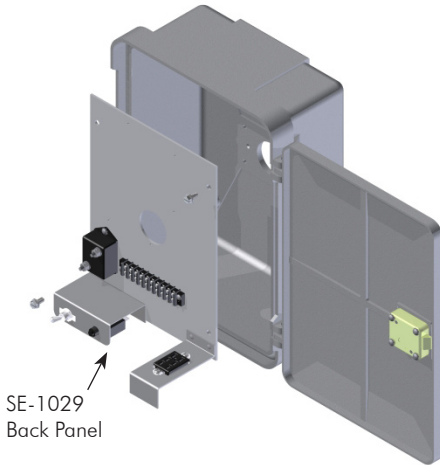
Flasher Controllers

Aluminum Flasher Cabinets are weather resistant and are available for rear, top and bottom mounting. Various brackets are available for mounting to wood or metal poles. A complete line of Type II or Police Type cabinets are available.



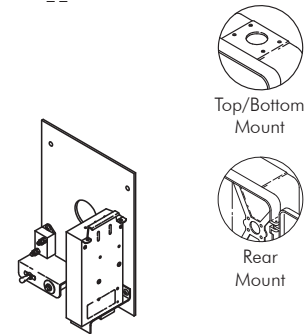
CABINETS

Flasher Controller Cabinet Assy w/o Time Clock, Alum



SE-1014 - - -

Mount Flasher Coating
 T=Top Mount Blank=None PNC=Process No Color
 B=Bottom Mount F=Nema Flasher P__=Paint
 R=Rear Mount
 TB=Top/Bottom Mount
 TBR=Top/Bottom & Rear Mount
 NM=No Mount



SE-1015, Backpanel with Flasher

Note:
Includes Lightning Arrestor, Circuit Breaker & Toggle Switch. Nema Flasher optional.

Flasher Cabinet Assy w/ Police Type Lock



SE-1002 - -

Mount Coating
 T=Top Mount PNC=Process No Color
 B=Bottom Mount P__=Paint
 R=Rear Mount
 TB=Top/Bottom Mount
 TBR=Top/Bottom & Rear Mount
 NM=No Mount



pelco

Note: 1. All assemblies are supplied standard with stainless steel fasteners.
2. See Reference Section for available paint colors.

Mounting Assemblies

Aluminum Flasher Cabinets are weather resistant and are available for rear, top and bottom mounting. Various brackets are available for mounting to wood or metal poles. A complete line of Type II or Police Type cabinets are available.

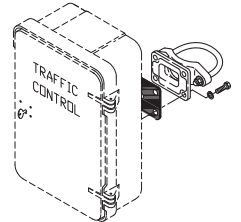


CABINETS



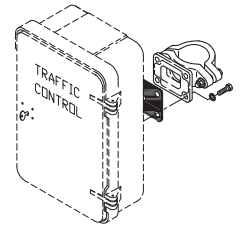
Mounting Kit, 4" (4-1/2" OD) Post

SE-1100 - Coating
 PNC=Process No Color
 P__=Paint



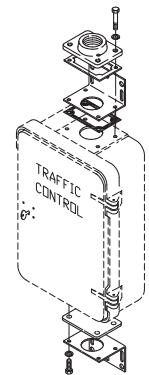
Mounting Kit, 3" (3-1/2" OD) Post

SE-1101 - Coating
 PNC=Process No Color
 P__=Paint



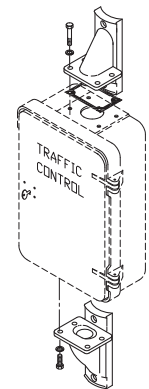
Mounting Kit, Wood Pole w/ 1-1/2" Single Hub & Closure Plate

SE-1103 - Coating
 PNC=Process No Color
 P__=Paint



Mounting Kit, Sweep Elbows

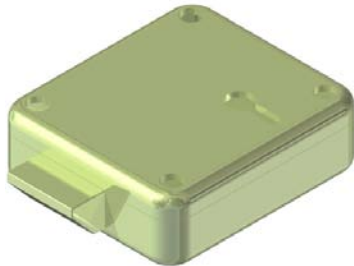
SE-1104 - Coating
 PNC=Process No Color
 P__=Paint



Note: 1. All assemblies are supplied standard with stainless steel fasteners.
 2. See Reference Section for available paint colors.

Type I & Type IB Police Lock

Aluminum Flasher Cabinets are weather resistant and are available for rear, top and bottom mounting. Various brackets are available for mounting to wood or metal poles. A complete line of Type II or Police Type cabinets are available.



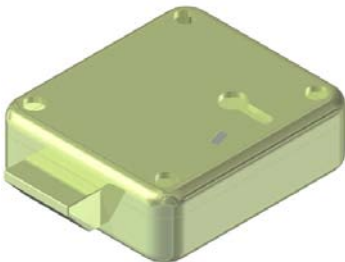
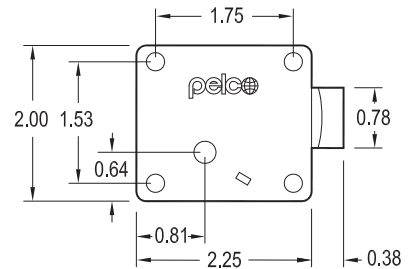
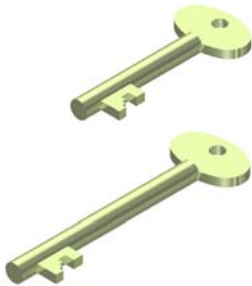
Cabinet Lock, Police Type I

SM-1012 - Keys - BRS

OK=Lock Only
 1SK=Lock w/ 1 Short Key
 2SK=Lock w/ 2 Short Keys
 1LK=Lock w/ 1 Long Key
 2LK=Lock w/ 2 Long Keys

SM-0109-BRS **Short Key, Type I Cabinet Lock, 1-3/4"**

SM-0200-BRS **Long Key, Type I Cabinet Lock, 2-5/8"**

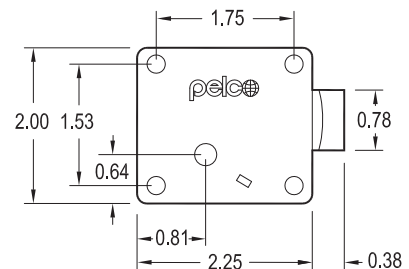
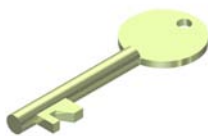


Cabinet Lock, Type IB

SM-1021 - Keys - BRS

OK=Lock Only
 1SK=Lock w/ 1 Short Key
 2SK=Lock w/ 2 Short Keys

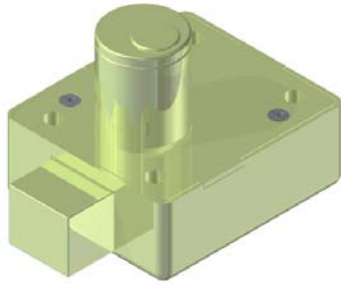
SM-0213-BRS **Short Key, Type IB Cabinet Lock, 1-3/4"**



Note: 1. Specify key options when ordering.

Type II Tumbler Lock

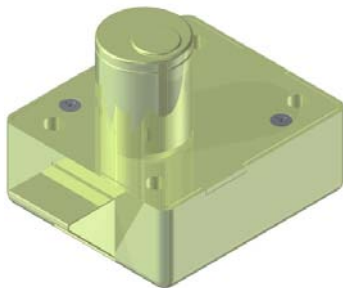
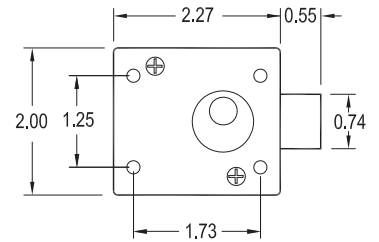
Aluminum Flasher Cabinets are weather resistant and are available for rear, top and bottom mounting. Various brackets are available for mounting to wood or metal poles. A complete line of Type II or Police Type cabinets are available.



Cabinet Lock, Type II Square Latch

SM-1026 - Keys - BRS

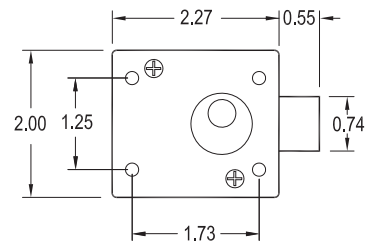
OK=Lock Only
 1K=Lock w/ 1 Key
 2K=Lock w/ 2 Keys



Cabinet Lock, Type II Tapered Latch

SM-1023 - Keys - BRS

OK=Lock Only
 1K=Lock w/ 1 Key
 2K=Lock w/ 2 Keys



SM-0198-2-CRM **Key, Type II Cabinet Lock**



SM-0198-B-CRM **Blank Key, Type II Cabinet Lock**

Note: 1. Unless otherwise specified, all locks will be provided to fit a Type II Key. All locks can be supplied with other key configurations upon request at an additional charge.