

Astro-Brac 1-Piece Camera Bracket Stellar Series

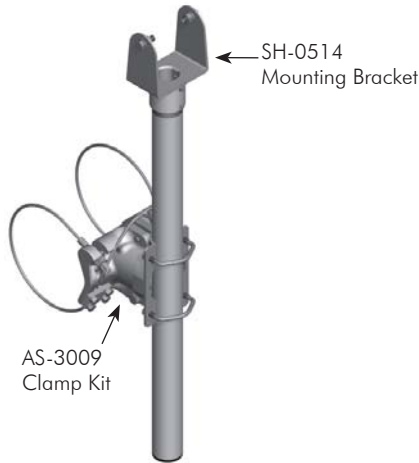
Pelco makes adjustable brackets for cameras, sensors and antennas that can mount a variety of traffic industry devices. Video Detection camera brackets are available for mast arm, post top, span wire or side-of-pole applications.



Camera Bracket, 1-Piece, Extended Tilt & Pan Stellar Series Band Mount, Alum

	Tube Length	-	Band Length	-	Coating
AS-0170	<input type="text"/>	-	<input type="text"/>	-	<input type="text"/>
	23=23" Tube		29=29" Band		PNC=Process No Color
	37=37" Tube		36=36" Band		P__=Paint
	46=46" Tube		42=42" Band		
	58=58" Tube		48=48" Band		
	74=74" Tube		56=56" Band		

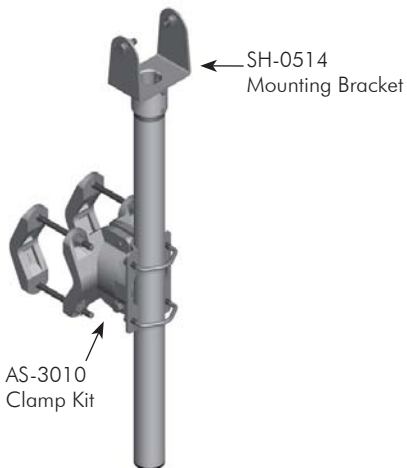
Note:
Stainless steel upgrade available: includes stainless clamp screw kit.
Specify by including -SS in the part number, i.e., AS-0170-23-29-SS-PNC.



Camera Bracket, 1-Piece, Extended Tilt & Pan Stellar Series Cable Mount, Alum

	Tube Length	-	Cable Length	-	Coating
AS-0175	<input type="text"/>	-	<input type="text"/>	-	<input type="text"/>
	23=23" Tube		62=62" Cable		PNC=Process No Color
	37=37" Tube		84=84" Cable		P__=Paint
	46=46" Tube		96=96" Cable		
	58=58" Tube				
	74=74" Tube				

Note:
Stainless steel upgrade available: includes stainless cable.
Specify by including -SS in the part number, i.e., AS-0175-23-62-SS-PNC.



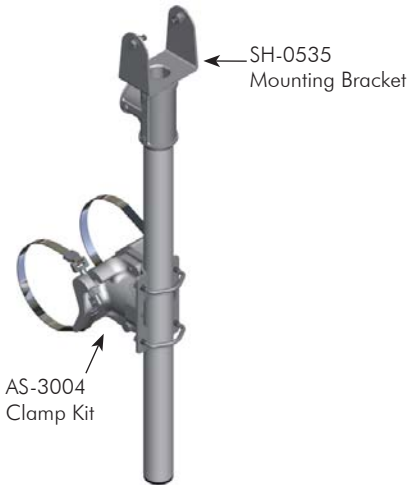
Camera Bracket, 1-Piece, Extended Tilt & Pan Stellar Series Tenon Mount, Alum

	Tube Length	-	Coating
AS-0629	<input type="text"/>	-	<input type="text"/>
	23=23" Tube		PNC=Process No Color
	37=37" Tube		P__=Paint
	46=46" Tube		
	58=58" Tube		
	74=74" Tube		

Note: 1. All assemblies are supplied standard with stainless steel fasteners.
2. 1-piece bracket for mounting Iteris, Odetics, or Econolite Solo Pro type cameras.
3. See Reference Section for available paint colors.

Astro-Brac 1-Piece Camera Bracket with Service Wire Outlet Stellar Series

Pelco makes adjustable brackets for cameras, sensors and antennas that can mount a variety of traffic industry devices. Video Detection camera brackets are available for mast arm, post top, span wire or side-of-pole applications.



Camera Bracket, 1-Piece, Extended Tilt & Pan Service Wire Outlet Stellar Series Band Mount, Alum

AS-0177 -	<input type="text"/>	-	<input type="text"/>	-	<input type="text"/>
	Tube Length		Band Length		Coating
	23=23" Tube		29=29" Band		PNC=Process No Color
	37=37" Tube		36=36" Band		P__=Paint
	46=46" Tube		42=42" Band		
	58=58" Tube		48=48" Band		
	74=74" Tube		56=56" Band		

Note:
Stainless steel upgrade available: includes stainless clamp screw kit.
Specify by including -SS in the part number, i.e., AS-0177-23-29-SS-PNC.



Camera Bracket, 1-Piece, Extended Tilt & Pan Service Wire Outlet Stellar Series Cable Mount, Alum

AS-0166 -	<input type="text"/>	-	<input type="text"/>	-	<input type="text"/>
	Tube Length		Cable Length		Coating
	23=23" Tube		62=62" Cable		PNC=Process No Color
	37=37" Tube		84=84" Cable		P__=Paint
	46=46" Tube		96=96" Cable		
	58=58" Tube				
	74=74" Tube				

Note:
Stainless steel upgrade available: includes stainless cable.
Specify by including -SS in the part number, i.e., AS-0166-23-62-SS-PNC.



Camera Bracket, 1-Piece, Extended Tilt & Pan Service Wire Outlet Stellar Series Tenon Mount, Alum

AS-0654 -	<input type="text"/>	-	<input type="text"/>
	Tube Length		Coating
	23=23" Tube		PNC=Process No Color
	37=37" Tube		P__=Paint
	46=46" Tube		
	58=58" Tube		
	74=74" Tube		

Note: 1. All assemblies are supplied standard with stainless steel fasteners.
2. 1-piece bracket for mounting Iteris, Odetics, or Econolite Solo Pro type cameras.
3. See Reference Section for available paint colors.

Astro-Brac 2-Piece Camera Bracket Stellar Series

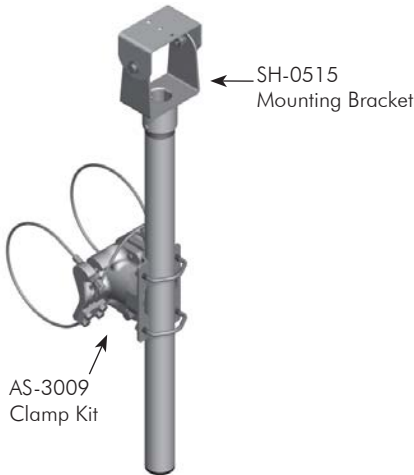
Pelco makes adjustable brackets for cameras, sensors and antennas that can mount a variety of traffic industry devices. Video Detection camera brackets are available for mast arm, post top, span wire or side-of-pole applications.



Camera Bracket, 2-Piece, Extended Tilt & Pan Stellar Series Band Mount, Alum

AS-0172	Tube Length	-	Band Length	-	Coating
	23=23" Tube		29=29" Band		PNC=Process No Color
	37=37" Tube		36=36" Band		P__=Paint
	46=46" Tube		42=42" Band		
	58=58" Tube		48=48" Band		
	74=74" Tube		56=56" Band		

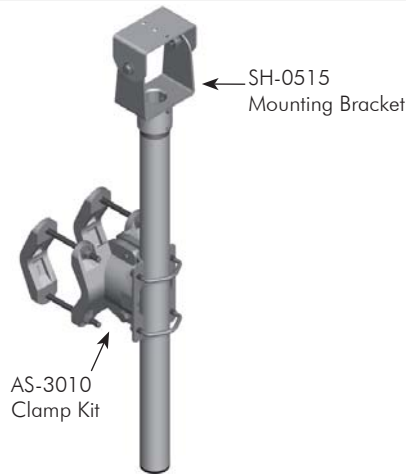
Note:
Stainless steel upgrade available: includes stainless clamp screw kit.
Specify by including -SS in the part number, i.e., AS-0172-23-29-SS-PNC.



Camera Bracket, 2-Piece, Extended Tilt & Pan Stellar Series Cable Mount, Alum

AS-0169	Tube Length	-	Cable Length	-	Coating
	23=23" Tube		62=62" Cable		PNC=Process No Color
	37=37" Tube		84=84" Cable		P__=Paint
	46=46" Tube		96=96" Cable		
	58=58" Tube				
	74=74" Tube				

Note:
Stainless steel upgrade available: includes stainless cable.
Specify by including -SS in the part number, i.e., AS-0169-23-62-SS-PNC.



Camera Bracket, 2-Piece, Extended Tilt & Pan Stellar Series Tenon Mount, Alum

AS-0653	Tube Length	-	Coating
	23=23" Tube		PNC=Process No Color
	37=37" Tube		P__=Paint
	46=46" Tube		
	58=58" Tube		
	74=74" Tube		

Note: 1. All assemblies are supplied standard with stainless steel fasteners.
2. 2-piece bracket for mounting Burle type cameras.
3. See Reference Section for available paint colors.

Astro-Brac 2-Piece Camera Bracket with Service Wire Outlet Stellar Series

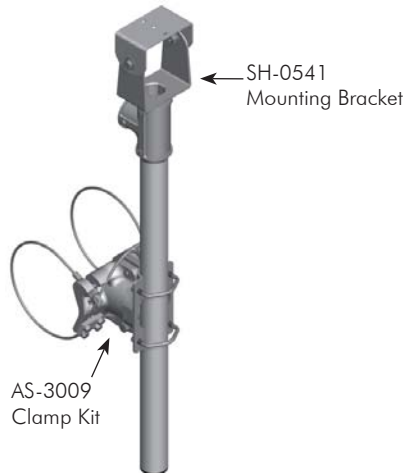
Pelco makes adjustable brackets for cameras, sensors and antennas that can mount a variety of traffic industry devices. Video Detection camera brackets are available for mast arm, post top, span wire or side-of-pole applications.



Camera Bracket, 2-Piece, Extended Tilt & Pan Service Wire Outlet Stellar Series Band Mount, Alum

	Tube Length	-	Band Length	-	Coating
AS-0173	<input type="text"/>	-	<input type="text"/>	-	<input type="text"/>
	23=23" Tube		29=29" Band		PNC=Process No Color
	37=37" Tube		36=36" Band		P__=Paint
	46=46" Tube		42=42" Band		
	58=58" Tube		48=48" Band		
	74=74" Tube		56=56" Band		

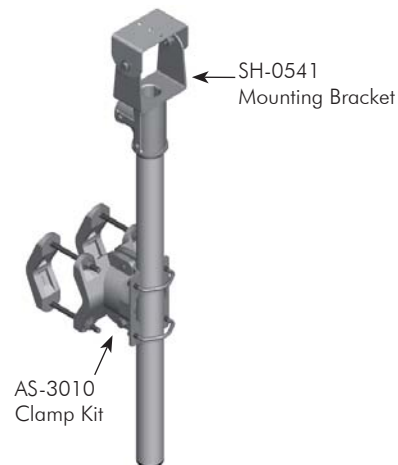
Note:
Stainless steel upgrade available: includes stainless clamp screw kit.
Specify by including -SS in the part number, i.e., AS-0173-23-29-SS-PNC.



Camera Bracket, 2-Piece, Extended Tilt & Pan Service Wire Outlet Stellar Series Cable Mount, Alum

	Tube Length	-	Cable Length	-	Coating
AS-0164	<input type="text"/>	-	<input type="text"/>	-	<input type="text"/>
	23=23" Tube		62=62" Cable		PNC=Process No Color
	37=37" Tube		84=84" Cable		P__=Paint
	46=46" Tube		96=96" Cable		
	58=58" Tube				
	74=74" Tube				

Note:
Stainless steel upgrade available: includes stainless cable.
Specify by including -SS in the part number, i.e., AS-0164-23-62-SS-PNC.



Camera Bracket, 2-Piece, Extended Tilt & Pan Service Wire Outlet Stellar Series Tenon Mount, Alum

	Tube Length	-	Coating
AS-0655	<input type="text"/>	-	<input type="text"/>
	23=23" Tube		PNC=Process No Color
	37=37" Tube		P__=Paint
	46=46" Tube		
	58=58" Tube		
	74=74" Tube		

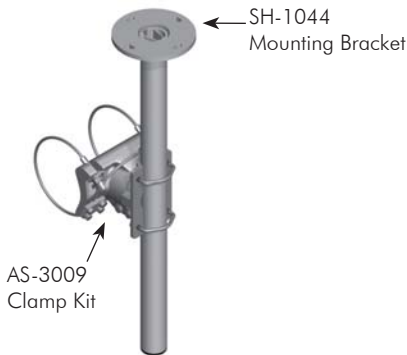
Note: 1. All assemblies are supplied standard with stainless steel fasteners.
2. 2-piece bracket for mounting Burle type cameras.
3. See Reference Section for available paint colors.

Bracket for COHU Type Camera

Designed to mount the COHU type camera, these brackets are available with Pelco's standard cable mount Astro-Brac or the more robust Triton Series clamp kits.



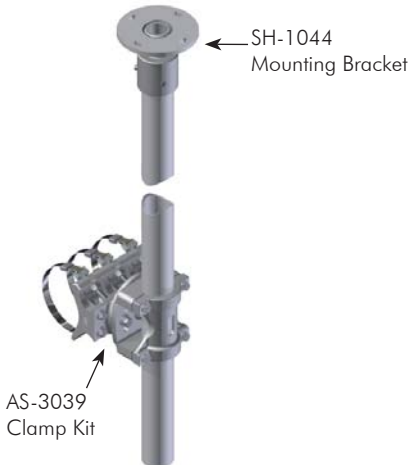
Camera Bracket for COHU Camera, Cable Mount, Alum



	Tube Length	Cable Length	Coating
AB-0619 -	<input type="text"/>	- <input type="text"/>	- <input type="text"/>
	23=23" Tube	62=62" Cable	PNC=Process No Color
	37=37" Tube	84=84" Cable	P_ _=Paint
	46=46" Tube	96=96" Cable	
	58=58" Tube		
	74=74" Tube		

Note:
Stainless steel upgrade available: includes stainless cable.
Specify by including -SS in the part number, i.e., AB-0619-23-62-SS-PNC.

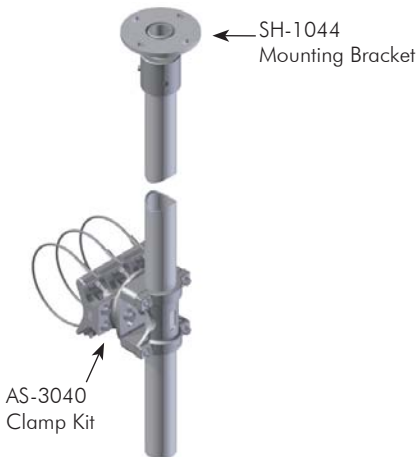
Camera Bracket, High Mast for COHU Camera, Triton Series Band Mount, Alum



	Tube Length In Inches	Band Length	Coating
AB-0627 -	<input type="text"/>	- <input type="text"/>	- <input type="text"/>
	120=10' Tube	29=29" Band	PNC=Process No Color
	144=12' Tube	42=42" Band	P_ _=Paint
	180=15' Tube		

Note:
Stainless steel upgrade available: includes stainless clamp screw kit.
Specify by including -SS in the part number, i.e., AB-0627-120-29-SS-PNC.

Camera Bracket, High Mast for COHU Camera, Triton Series Cable Mount, Alum



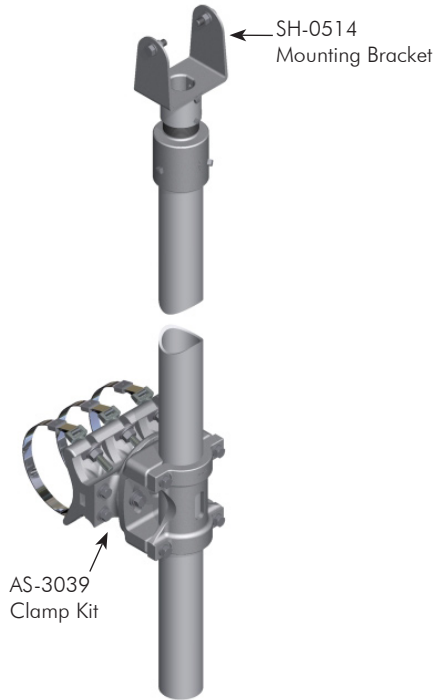
	Tube Length In Inches	Cable Length	Coating
AB-0628 -	<input type="text"/>	- <input type="text"/>	- <input type="text"/>
	120=10' Tube	45=45" Cable	PNC=Process No Color
	144=12' Tube	62=62" Cable	P_ _=Paint
	180=15' Tube	84=84" Cable	

Note:
Stainless steel upgrade available: includes stainless cables.
Specify by including -SS in the part number, i.e., AB-0628-120-45-SS-PNC.

Note: 1. All assemblies are supplied standard with stainless steel fasteners.
2. Bracket for mounting COHU type cameras.
3. See Reference Section for available paint colors.

Astro-Brac 1-Piece Camera Bracket Triton Series

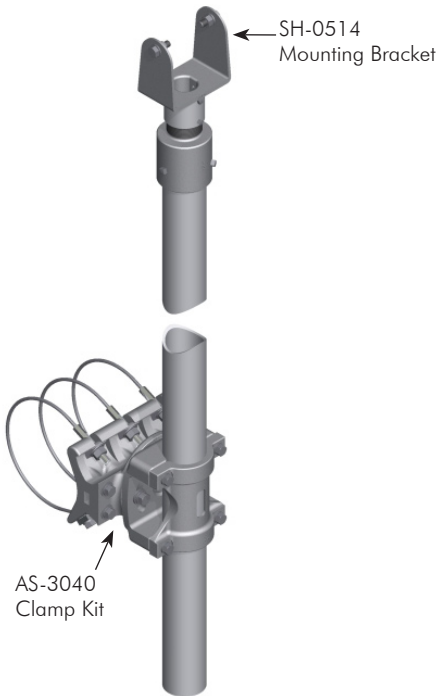
With three bands or cables and a 2-3/8" OD tube the Triton Camera Bracket is an ideal solution for heavier items and higher mountings. A member of the Astro-Brac family, the bracket rotates 360°, has greater strength, and can reach up to a 15' height.



Camera Bracket, 1-Piece, Extended Tilt & Pan Triton Series Band Mount, Alum

	Tube Length In Inches	-	Band Length	-	Coating
AB-0600	<input type="text"/>	-	<input type="text"/>	-	<input type="text"/>
	120=10' Tube		29=29" Band		PNC=Process No Color
	144=12' Tube		42=42" Band		P__=Paint
	180=15' Tube				

Note:
Stainless steel upgrade available: includes stainless clamp screw kit.
Specify by including -SS in the part number, i.e., AB-0600-120-29-SS-PNC.



Camera Bracket, 1-Piece, Extended Tilt & Pan Triton Series Cable Mount, Alum

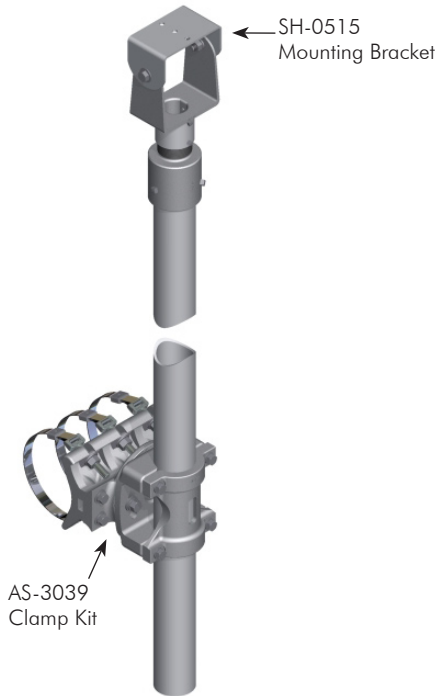
	Tube Length In Inches	-	Cable Length	-	Coating
AB-0601	<input type="text"/>	-	<input type="text"/>	-	<input type="text"/>
	120=10' Tube		45=45" Cable		PNC=Process No Color
	144=12' Tube		62=62" Cable		P__=Paint
	180=15' Tube				

Note:
Stainless steel upgrade available: includes stainless cables.
Specify by including -SS in the part number, i.e., AB-0601-120-45-SS-PNC.

- Note: 1. All assemblies are supplied standard with stainless steel fasteners.
2. 1-piece bracket for mounting Iteris, Odetics, or Econolite Solo Pro type cameras.
3. See Reference Section for available paint colors.

Astro-Brac 2-Piece Camera Bracket Triton Series

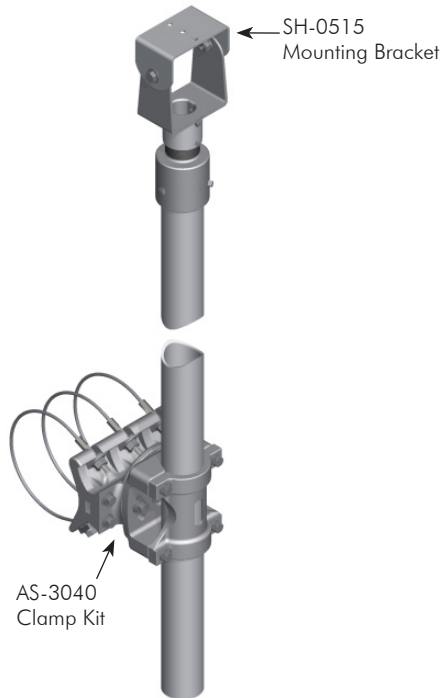
With three bands or cables and a 2-3/8" OD tube the Triton Camera Bracket is an ideal solution for heavier items and higher mountings. A member of the Astro-Brac family, the bracket rotates 360°, has greater strength, and can reach up to a 15' height.



Camera Bracket, 2-Piece, Extended Tilt & Pan Triton Series Band Mount, Alum

	Tube Length In Inches	-	Band Length	-	Coating
AB-0610	<input type="text"/>	-	<input type="text"/>	-	<input type="text"/>
	120=10' Tube		29=29" Band		PNC=Process No Color
	144=12' Tube		42=42" Band		P__=Paint
	180=15' Tube				

Note:
Stainless steel upgrade available: includes stainless clamp screw kit.
Specify by including -SS in the part number, i.e., AB-0610-120-29-SS-PNC.



Camera Bracket, 2-Piece, Extended Tilt & Pan Triton Series Cable Mount, Alum

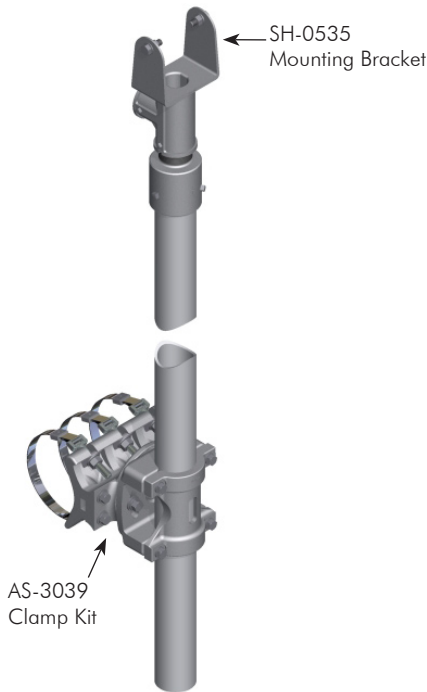
	Tube Length In Inches	-	Cable Length	-	Coating
AB-0611	<input type="text"/>	-	<input type="text"/>	-	<input type="text"/>
	120=10' Tube		45=45" Cable		PNC=Process No Color
	144=12' Tube		62=62" Cable		P__=Paint
	180=15' Tube				

Note:
Stainless steel upgrade available: includes stainless cables.
Specify by including -SS in the part number, i.e., AB-0611-120-45-SS-PNC.

- Note: 1. All assemblies are supplied standard with stainless steel fasteners.
2. 2-piece bracket for mounting Burle type cameras.
3. See Reference Section for available paint colors.

Astro-Brac 1-Piece Camera Bracket with Service Wire Outlet Triton Series

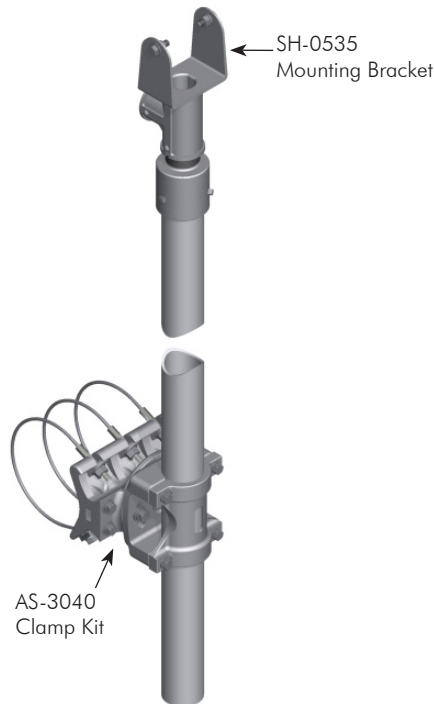
With three bands or cables and a 2-3/8" OD tube the Triton Camera Bracket is an ideal solution for heavier items and higher mountings. A member of the Astro-Brac family, the bracket rotates 360°, has greater strength, and can reach up to a 15' height.



Camera Bracket, 1-Piece, Extended Tilt & Pan Service Wire Outlet Triton Series Band Mount, Alum

	Tube Length In Inches	-	Band Length	-	Coating
AB-0612	<input type="text"/>	-	<input type="text"/>	-	<input type="text"/>
	120=10' Tube 144=12' Tube 180=15' Tube		29=29" Band 42=42" Band		PNC=Process No Color P__=Paint

Note:
Stainless steel upgrade available: includes stainless clamp screw kit.
Specify by including -SS in the part number, i.e., AB-0612-120-29-SS-PNC.



Camera Bracket, 1-Piece, Extended Tilt & Pan Service Wire Outlet Triton Series Cable Mount, Alum

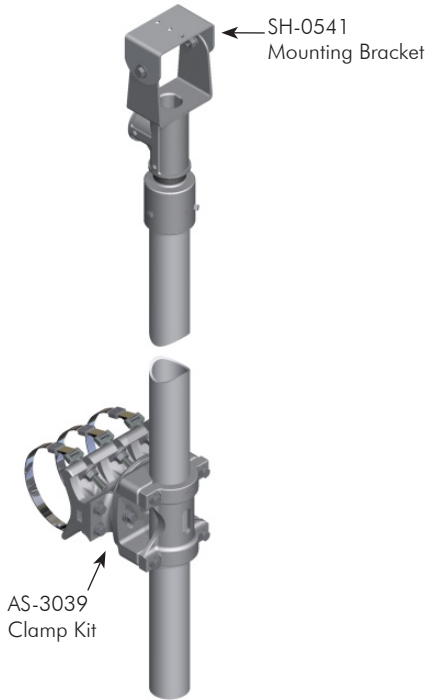
	Tube Length In Inches	-	Cable Length	-	Coating
AB-0613	<input type="text"/>	-	<input type="text"/>	-	<input type="text"/>
	120=10' Tube 144=12' Tube 180=15' Tube		45=45" Cable 62=62" Cable		PNC=Process No Color P__=Paint

Note:
Stainless steel upgrade available: includes stainless cables.
Specify by including -SS in the part number, i.e., AB-0613-120-45-SS-PNC.

- Note: 1. All assemblies are supplied standard with stainless steel fasteners.
2. 1-piece bracket for mounting Iteris, Odetics, or Econolite Solo Pro type cameras.
3. See Reference Section for available paint colors.

Astro-Brac 2-Piece Camera Bracket with Service Wire Outlet Triton Series

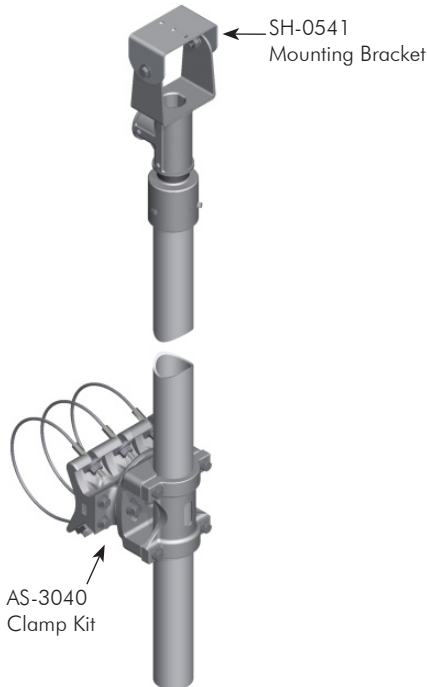
With three bands or cables and a 2-3/8" OD tube the Triton Camera Bracket is an ideal solution for heavier items and higher mountings. A member of the Astro-Brac family, the bracket rotates 360°, has greater strength, and can reach up to a 15' height.



Camera Bracket, 2-Piece, Extended Tilt & Pan Service Wire Outlet Triton Series Band Mount, Alum

	Tube Length In Inches	-	Band Length	-	Coating
AB-0614	<input type="text"/>	-	<input type="text"/>	-	<input type="text"/>
	120=10' Tube 144=12' Tube 180=15' Tube		29=29" Band 42=42" Band		PNC=Process No Color P__=Paint

Note:
Stainless steel upgrade available: includes stainless clamp screw kit.
Specify by including -SS in the part number, i.e., AB-0614-120-29-SS-PNC.



Camera Bracket, 2-Piece, Extended Tilt & Pan Service Wire Outlet Triton Series Cable Mount, Alum

	Tube Length In Inches	-	Cable Length	-	Coating
AB-0615	<input type="text"/>	-	<input type="text"/>	-	<input type="text"/>
	120=10" Tube 144=12" Tube 180=15" Tube		45=45" Cable 62=62" Cable		PNC=Process No Color P__=Paint

Note:
Stainless steel upgrade available: includes stainless cables.
Specify by including -SS in the part number, i.e., AB-0615-120-45-SS-PNC.

- Note: 1. All assemblies are supplied standard with stainless steel fasteners.
2. 2-piece bracket for mounting Burle type cameras.
3. See Reference Section for available paint colors.

Mast Arm Mount

Pelco makes adjustable brackets for cameras, sensors and antennas that can mount a variety of traffic industry devices. Video Detection camera brackets are available for mast arm, post top, span wire or side-of-pole applications.



Camera Bracket, 1-Piece, Tilt & Pan Mast Arm Mount, Alum

SH-0510 -
 Coating
 PNC=Process No Color
 P__=Paint



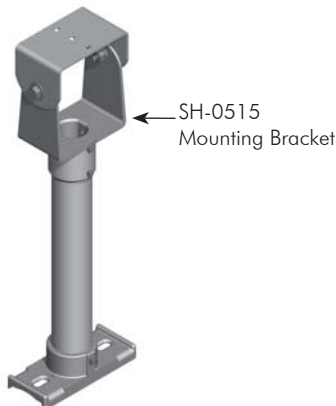
Camera Bracket, 2-Piece, Tilt & Pan Mast Arm Mount, Alum

SH-0501 -
 Coating
 PNC=Process No Color
 P__=Paint



Camera Bracket, 1-Piece, Extended Tilt & Pan Mast Arm Mount, Alum

SH-0509 - -
 Nipple Length Coating
 06=6" Nipple PNC=Process No Color
 10=10" Nipple P__=Paint
 11=11" Nipple
 12=12" Nipple



Camera Bracket, 2-Piece, Extended Tilt & Pan Mast Arm Mount, Alum

SH-0504 - -
 Nipple Length Coating
 06=6" Nipple PNC=Process No Color
 10=10" Nipple P__=Paint
 11=11" Nipple
 12=12" Nipple

Note: 1. All assemblies are supplied standard with stainless steel fasteners.
 2. 1-piece bracket for mounting Iteris, Odetics, or Econolite Solo Pro type cameras. 2-piece bracket for mounting Burle type cameras.
 3. See Reference Section for available paint colors.

Side-of-Pole Extended Vertical Mount

Pelco makes adjustable brackets for cameras, sensors and antennas that can mount a variety of traffic industry devices. Video Detection camera brackets are available for mast arm, post top, span wire or side-of-pole applications.



Camera Bracket, 1-Piece, Extended Tilt & Pan Vertical Mount, Alum

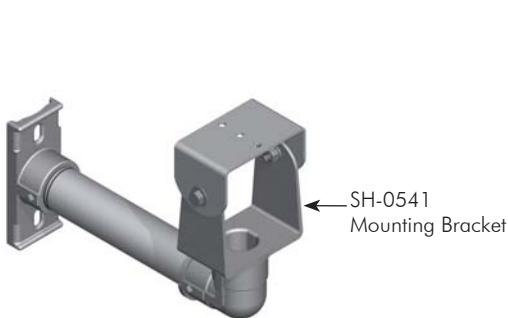


SH-0527 - -

Nipple Length Coating

11=11" Nipple PNC=Process No Color
 12=12" Nipple P__=Paint
 24=24" Nipple

Camera Bracket, 2-Piece, Extended Tilt & Pan Vertical Mount, Alum



SH-0503 - -

Nipple Length Coating

11=11" Nipple PNC=Process No Color
 12=12" Nipple P__=Paint
 24=24" Nipple

Note: 1. All assemblies are supplied standard with stainless steel fasteners.
 2. 1-piece bracket for mounting Iteris, Odetics, or Econolite Solo Pro type cameras. 2-piece bracket for mounting Burle type cameras.
 3. See Reference Section for available paint colors.

Post Top Mount

Pelco makes adjustable brackets for cameras, sensors and antennas that can mount a variety of traffic industry devices. Video Detection camera brackets are available for mast arm, post top, span wire or side-of-pole applications.



Camera Bracket, 1-Piece, Tilt & Pan Post Top Mount for 4-1/2" OD Pole, Alum



SH-0520 - Coating
PNC=Process No Color
P__=Paint

Camera Bracket, 2-Piece, Tilt & Pan Post Top Mount for 4-1/2" OD Pole, Alum



SH-0519 - Coating
PNC=Process No Color
P__=Paint

Note: 1. All assemblies are supplied standard with stainless steel fasteners.
2. 1-piece bracket for mounting Iteris, Odetics, or Econolite Solo Pro type cameras. 2-piece bracket for mounting Burle type cameras.
3. See Reference Section for available paint colors.

Span Wire Mount

Pelco makes adjustable brackets for cameras, sensors and antennas that can mount a variety of traffic industry devices. Video Detection camera brackets are available for mast arm, post top, span wire or side-of-pole applications.



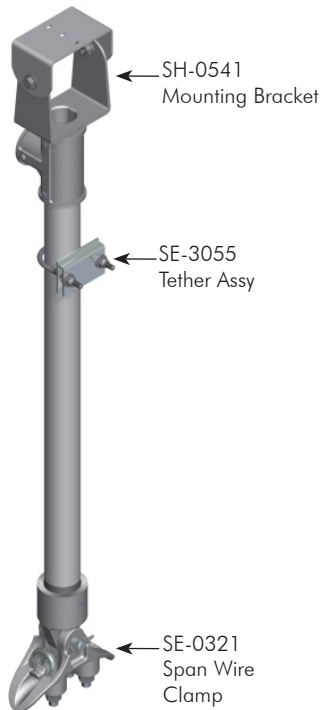
CAMERA MOUNTS



Camera Bracket, 1-Piece, Tilt & Pan Span Wire Mount, Alum

SH-0526 -	<table border="1" style="display: inline-table; border-collapse: collapse;"> <tr><td style="padding: 2px;">Tube Length</td></tr> </table>	Tube Length	-	<table border="1" style="display: inline-table; border-collapse: collapse;"> <tr><td style="padding: 2px;">Coating</td></tr> </table>	Coating
Tube Length					
Coating					
	23=23" Tube 37=37" Tube 46=46" Tube 58=58" Tube 74=74" Tube		PNC=Process No Color P__=Paint		

Note:
Stainless steel upgrade available: includes stainless hardware.
Specify by including -SS in the part number, i.e., SH-0526-23-SS-PNC.



Camera Bracket, 2-Piece, Tilt & Pan Span Wire Mount, Alum

SH-0532 -	<table border="1" style="display: inline-table; border-collapse: collapse;"> <tr><td style="padding: 2px;">Tube Length</td></tr> </table>	Tube Length	-	<table border="1" style="display: inline-table; border-collapse: collapse;"> <tr><td style="padding: 2px;">Coating</td></tr> </table>	Coating
Tube Length					
Coating					
	23=23" Tube 37=37" Tube 46=46" Tube 58=58" Tube 74=74" Tube		PNC=Process No Color P__=Paint		

Note:
Stainless steel upgrade available: includes stainless hardware.
Specify by including -SS in the part number, i.e., SH-0532-23-SS-PNC.

Note: 1. All assemblies are supplied standard with stainless steel fasteners and galvanized hardware on span wire clamps. Stainless upgrade to include stainless hardware.

2. 1-piece bracket for mounting Iteris, Odetics, or Econolite Solo Pro type cameras. 2-piece bracket for mounting Burle type cameras.
3. See Reference Section for available paint colors.

Astro-Brac Bracket Camera Mount

Pelco's 1-piece brackets are for mounting Iteris, Odetics, or Econolite Solo Pro type cameras. 2-piece brackets are for mounting Burl cameras, and the round bracket with 4-3/4" bolt circle is for mounting COHU type cameras.



Camera Bracket, 1-Piece Tilt & Pan, 1-1/2" NPS Internal Threads, Alum

SH-0514 - Coating
PNC=Process No Color
P_ =Paint



Camera Bracket, 2-Piece Tilt & Pan, 1-1/2" NPS Internal Threads, Alum

SH-0515 - Coating
PNC=Process No Color
P_ =Paint



Camera Bracket, 1-Piece Tilt & Pan, 1-1/2" NPS External Threads, Alum

SH-0535 - Coating
PNC=Process No Color
P_ =Paint



Camera Bracket, 2-Piece Tilt & Pan, 1-1/2" NPS External Threads, Alum

SH-0541 - Coating
PNC=Process No Color
P_ =Paint

Note: 1. All assemblies are supplied standard with stainless steel fasteners.
2. Special bracket available upon request.
3. See Reference Section for available paint colors.

Astro-Brac Bracket Camera Mount

Pelco's 1-piece brackets are for mounting Iteris, Odetics, or Econolite Solo Pro type cameras. 2-piece brackets are for mounting Burle cameras, and the round bracket with 4-3/4" bolt circle is for mounting COHU type cameras.



Camera Bracket, 1-Piece Tilt & Pan for Iteris Versicam, Alum

SH-0537 -

Coating



PNC=Process No Color

P__=Paint

Camera Bracket, 1-Piece Tilt & Pan Adjustable 2.88" to 4.38", Alum



SH-0538 -

Coating



PNC=Process No Color

P__=Paint

Camera Bracket, Pole Top 1-1/2" NPS, 4-3/4" Bolt Circle for COHU Camera, Alum



SH-1044 -

Coating



PNC=Process No Color

P__=Paint

- Note: 1. All assemblies are supplied standard with stainless steel fasteners.
2. Special bracket available upon request.
3. See Reference Section for available paint colors.