

Aluminum Slip Fitter Assemblies, Cast Nipple

Pelco's Post Top Slip Fitters are available in aluminum and iron, 1-1/2" NPS, Tri-Bolt or Tri-Stud. Post Top Terminal Compartments are supplied with a 12-Circuit Terminal Strip, unless indicated otherwise.



Slip Fitter Assy, 1-Way for 2-7/8" OD Pole Cast Nipple

SE-3279 -

Coating
PNC=Process No Color
P__=Paint



Slip Fitter Assy, 1-Way Offset for 4-1/2" OD Pole Cast Nipple

SE-3310 -

Coating
PNC=Process No Color
P__=Paint



Slip Fitter Assy, 1-Way for 4-1/2" OD Pole Cast Nipple

SE-3311 -

Coating
PNC=Process No Color
P__=Paint



Slip Fitter Assy, 1-Way w/ 2-Way Side Ports for 4-1/2" OD Pole Cast Nipple

SE-3037 -

Coating
PNC=Process No Color
P__=Paint



Note: 1. All assemblies supplied standard with stainless steel fasteners.
2. See Components Section for Slip Fitters without hardware.
3. See Reference Section for available paint colors.

Aluminum Slip Fitter Assemblies

Pelco's Post Top Slip Fitters are available in aluminum and iron, 1-1/2" NPS, Tri-Bolt or Tri-Stud. Post Top Terminal Compartments are supplied with a 12-Circuit Terminal Strip, unless indicated otherwise.



Slip Fitter Assy, 1-Way for 4-1/2" OD Pole Tri-Bolt & Cast Nipple

SE-3012 - -

Signal Section	Coating
1=1 Sec	PNC=Process No Color
2=2 Sec	P_ _=Paint
3=3 Sec	
4=4 Sec	
5=5 Sec	



SE-0398
Hardware Kit

SE-3005
Lower Arm Assy

Slip Fitter Assy, 2-Way Variable for 4-1/2" OD Pole Tri-Bolt & Cast Nipple

SE-3116 - -

Signal Section	Coating
1=1 Sec	PNC=Process No Color
2=2 Sec	P_ _=Paint
3=3 Sec	
4=4 Sec	
5=5 Sec	



SE-3004
Upper Arm Assy

SE-3005
Lower Arm Assy

Slip Fitter Assy, 2-Way 16-1/2" CTC for 4-1/2" OD Pole Cast Nipple

SE-3089 -

Coating
PNC=Process No Color
P_ _=Paint



Note: 1. All assemblies are supplied standard with stainless steel fasteners.
2. See Reference Section for available paint colors.

RIGID POST TOP



Aluminum Slip Fitter Assemblies, Cast Nipple

Pelco's Post Top Slip Fitters are available in aluminum and iron, 1-1/2" NPS, Tri-Bolt or Tri-Stud. Post Top Terminal Compartments are supplied with a 12-Circuit Terminal Strip, unless indicated otherwise.

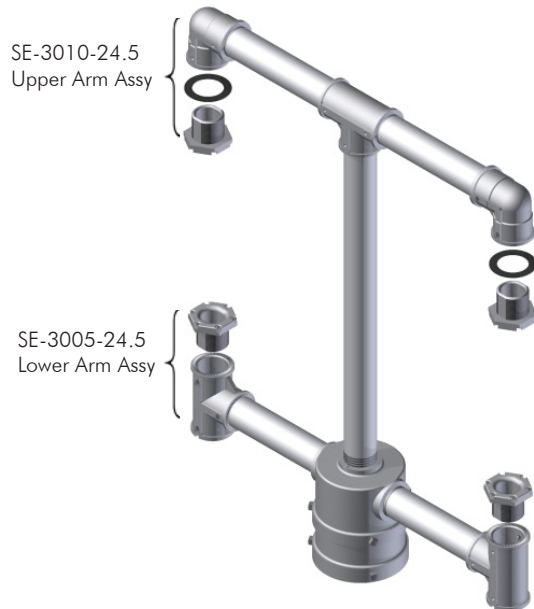
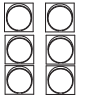


Slip Fitter Assy, 2-Way 16-1/2" CTC for 4-1/2" OD Pole Cast Nipple

SE-3053 - -

Signal Section Coating

1=1 Sec PNC=Process No Color
2=2 Sec P__=Paint
3=3 Sec
4=4 Sec
5=5 Sec



Slip Fitter Assy, 2-Way ICC Ped 24-1/2" CTC for 4-1/2" OD Pole Cast Nipple

SE-3257 -

Coating

PNC=Process No Color
P__=Paint



Note: 1. All assemblies are supplied standard with stainless steel fasteners.
2. See Reference Section for available paint colors.

Aluminum Slip Fitter Assemblies, Tri-Stud

Pelco's Post Top Slip Fitters are available in aluminum and iron, 1-1/2" NPS, Tri-Bolt or Tri-Stud. Post Top Terminal Compartments are supplied with a 12-Circuit Terminal Strip, unless indicated otherwise.

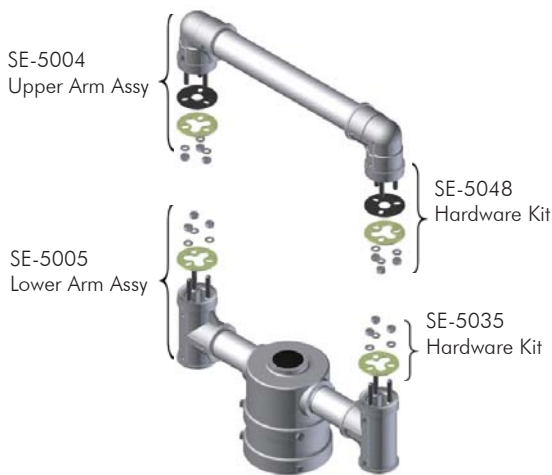


Slip Fitter Assy, 1-Way for 4-1/2" OD Pole Tri-Stud

SE-5016 - Coating
 PNC=Process No Color
 P__=Paint

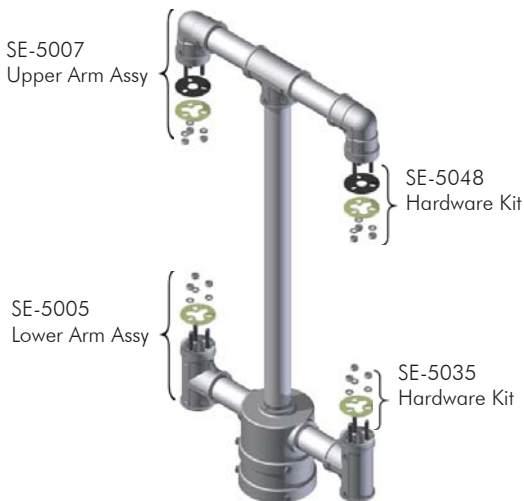


Note: See Components Section for Slip Fitters without hardware.



Slip Fitter Assy, 2-Way 16-1/2" CTC for 4-1/2" OD Pole Tri-Stud

SE-5006 - Coating
 PNC=Process No Color
 P__=Paint



Slip Fitter Assy, 2-Way 16-1/2" CTC for 4-1/2" OD Pole Tri-Stud

SE-5008 - - Coating
 Signal Section
 1=1 Sec
 2=2 Sec
 3=3 Sec
 4=4 Sec
 5=5 Sec
 PNC=Process No Color
 P__=Paint



Note: 1. All assemblies are supplied standard with stainless steel fasteners.
 2. See Reference Section for available paint colors.

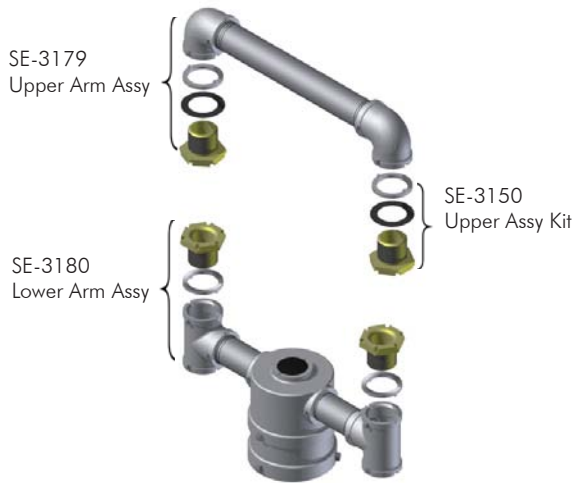
Iron Slip Fitter Assemblies, Cast Nipple

Pelco's Post Top Slip Fitters are available in aluminum and iron, 1-1/2" NPS, Tri-Bolt or Tri-Stud. Post Top Terminal Compartments are supplied with a 12-Circuit Terminal Strip, unless indicated otherwise.



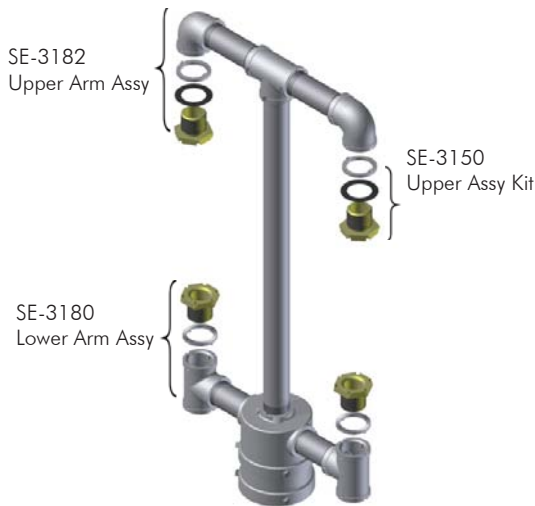
Slip Fitter Assy, 1-Way w/ 2-Way Side Ports for 4-1/2" OD Pole Cast Nipple

SE-3177 - Coating
P__=Paint



Slip Fitter Assy, 2-Way 16-1/2" CTC for 4-1/2" OD Pole Cast Nipple

SE-3181 - Coating
P__=Paint



Slip Fitter Assy, 2-Way 16-1/2" CTC for 4-1/2" OD Pole Cast Nipple

SE-3183 - Signal Section - Coating
1=1 Sec
2=2 Sec
3=3 Sec
4=4 Sec
5=5 Sec
P__=Paint



Note: 1. All assemblies are supplied standard with stainless steel fasteners.
2. See Reference Section for available paint colors.

Aluminum Terminal Compartment Assemblies

Pelco's Post Top Slip Fitters are available in aluminum and iron, 1-1/2" NPS, Tri-Bolt or Tri-Stud. Post Top Terminal Compartments are supplied with a 12-Circuit Terminal Strip, unless indicated otherwise.



SE-3027 → Terminal Compartment

Terminal Compartment Assy, 1-Way, Alum for 4-1/2" OD Pole Cast Nipple

SE-3270	-	<input type="text"/>	-	<input type="text"/>
		Signal Section		Coating
		1=1 Sec		PNC=Process No Color
		2=2 Sec		P__=Paint
		3=3 Sec		
		4=4 Sec		
		5=5 Sec		



SE-3027 → Terminal Compartment

Terminal Compartment Assy, 1-Way ICC Ped, Alum for 4-1/2" OD Pole Cast Nipple

SE-3271	-	<input type="text"/>	-	<input type="text"/>
		Signal Section		Coating
		1=1 Sec		PNC=Process No Color
		2=2 Sec		P__=Paint
		3=3 Sec		
		4=4 Sec		
		5=5 Sec		



SE-0398 Hardware Kit

SE-3027 → Terminal Compartment

Terminal Compartment Assy, 1-Way, Alum for 4-1/2" OD Pole Tri-Bolt & Cast Nipple

SE-3013	-	<input type="text"/>	-	<input type="text"/>
		Signal Section		Coating
		1=1 Sec		PNC=Process No Color
		2=2 Sec		P__=Paint
		3=3 Sec		
		4=4 Sec		
		5=5 Sec		



Note: 1. All assemblies are supplied standard with stainless steel fasteners.
2. See Reference Section for available paint colors.

Aluminum Terminal Compartment Assemblies

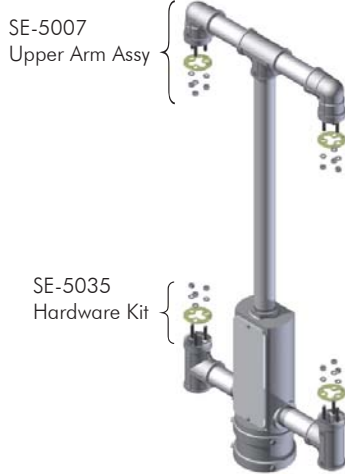
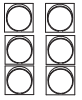
Pelco's Post Top Slip Fitters are available in aluminum and iron, 1-1/2" NPS, Tri-Bolt or Tri-Stud. Post Top Terminal Compartments are supplied with a 12-Circuit Terminal Strip, unless indicated otherwise.



Terminal Compartment Assy, 2-Way, Alum 16-1/2" CTC for 4-1/2" OD Pole Cast Nipple

SE-3048 - -

Signal Section	Coating
1=1 Sec	PNC=Process No Color
2=2 Sec	P__=Paint
3=3 Sec	
4=4 Sec	
5=5 Sec	



Terminal Compartment Assy, 2-Way, Alum 16-1/2" CTC for 4-1/2" OD Pole Tri-Stud

SE-5187 - -

Signal Section	Coating
1=1 Sec	PNC=Process No Color
2=2 Sec	P__=Paint
3=3 Sec	
4=4 Sec	
5=5 Sec	



Terminal Compartment Assy, 2-Way, Alum 24" CTC for 4-1/2" OD Pole Cast Nipple

SE-3141 -

Coating
PNC=Process No Color
P__=Paint



Note: 1. All assemblies are supplied standard with stainless steel fasteners.
2. See Reference Section for available paint colors.

Aluminum Terminal Compartment Assemblies

Pelco's Post Top Slip Fitters are available in aluminum and iron, 1-1/2" NPS, Tri-Bolt or Tri-Stud. Post Top Terminal Compartments are supplied with a 12-Circuit Terminal Strip, unless indicated otherwise.



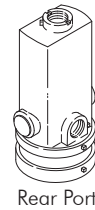
Post Top Terminal Compartment, Alum 2-Way Vertical w/ Terminal Strip

SE-3027 - Coating
 PNC=Process No Color
 P__=Paint



Post Top Terminal Compartment, Alum 3-Way Vertical w/ Terminal Strip

SE-3074 - Coating
 PNC=Process No Color
 P__=Paint



Post Top Terminal Compartment Assy, Alum 2-Way Horizontal for 4-1/2" OD Pole

SE-3143 - Port Mountings - Terminal Strip - Coating
 TP=Top Port 1T=Terminal Strip (1) PNC=Process No Color
 RP=Rear Port 2T=Terminal Strips (2) P__=Paint



SE-3042
Upper Assy Kit

Terminal Compartment Assy, Alum 2-Way Horizontal for 4-1/2" OD Pole Cast Nipples

SE-3135 - Port Mountings - Terminal Strip - Coating
 TP=Top Port 1T=Terminal Strip (1) PNC=Process No Color
 RP=Rear Port 2T=Terminal Strips (2) P__=Paint

Note: 1. All assemblies are supplied standard with stainless steel fasteners.
 2. See Reference Section for available paint colors.

Black Nylon Slip Fitter Assemblies

Pelco's Post Top Multi-Fitter is corrosion-free and can mount 1-Way through 4-Way traffic signal configurations to any 4-1/2" OD pole. A removable top cap provides easy access to the arm mounting hardware.

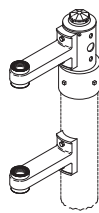


Multi-Fitter Assembly w/ Signal Arm & Cap, for 4-1/2" OD Pole Black Nylon

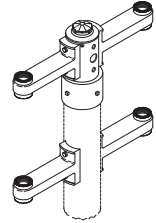


SE-3285 -

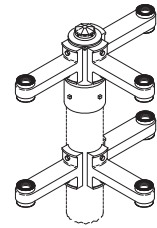
Arm Assembly	-	Coating
1=1-Way	-	PNC=Process No Color
2=2-Way		P__=Paint
3=3-Way		
4=4-Way		



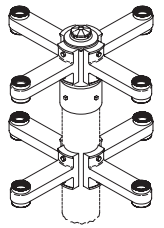
1-Way Option



2-Way Option



3-Way Option



4-Way Option

Note: 1. All assemblies are supplied standard with stainless steel fasteners.
 2. See Reference Section for available wet paint colors.