

Aluminum 1-Way Side-of-Pole with Cast Nipples

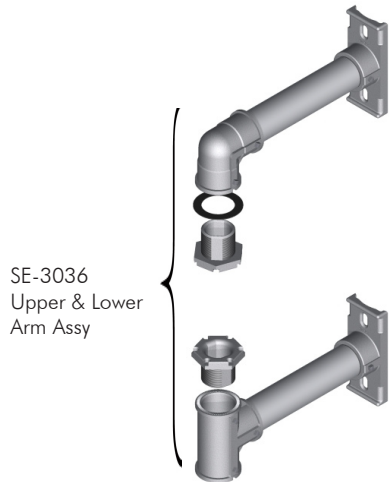
Pelco's Side-of-Pole assemblies are designed to mount traffic and pedestrian signals on the side of traffic signal poles with an upper and lower arm. Available in aluminum or iron, and 1-1/2" NPS, tri-bolt, or tri-stud, and a vast array of hubs to accommodate both 1-way or 2-way signal configurations.



1-Way Upper & Lower Arm Assy, 10" Nipples

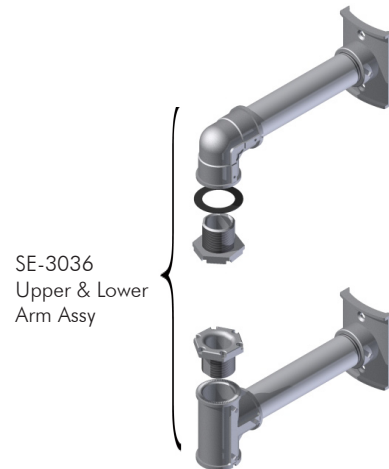
SE-3036 - Coating
 PNC=Process No Color
 P__=Paint

Note:
 See Components Section for choice of hub plates.



1-Way Upper & Lower Arm Assy, 10" Nipples, Universal Hub Plates

SE-3215 - Coating
 PNC=Process No Color
 P__=Paint



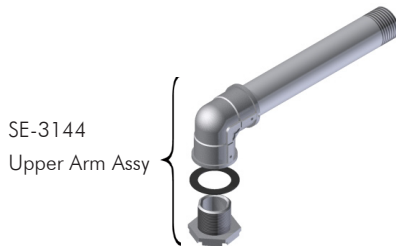
1-Way Upper & Lower Arm Assy, 10" Nipples, Large Pole Hub Plates

SE-3148 - Coating
 PNC=Process No Color
 P__=Paint

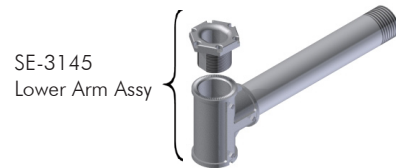
Note: 1. All assemblies are supplied standard with stainless steel fasteners.
 2. See Reference Section for available paint colors.

Aluminum 1-Way Side-of-Pole ICC Ped Head with Cast Nipples

Pelco's Side-of-Pole assemblies are designed to mount traffic and pedestrian signals on the side of traffic signal poles with an upper and lower arm. Available in aluminum or iron, and 1-1/2" NPS, tri-bolt, or tri-stud, and a vast array of hubs to accommodate both 1-way or 2-way signal configurations.



SE-3144
Upper Arm Assy

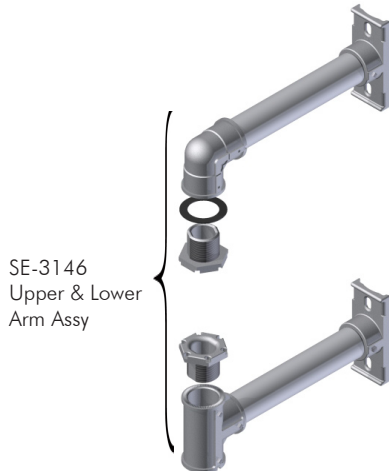


SE-3145
Lower Arm Assy

1-Way Upper & Lower ICC Ped Arm Assy, 12" Nipples

SE-3146 - Coating
PNC=Process No Color
P__=Paint

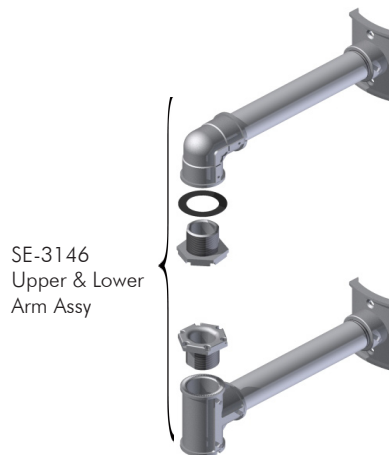
Note:
See Components Section for choice of hub plates.



SE-3146
Upper & Lower
Arm Assy

1-Way Upper & Lower ICC Ped Arm Assy, 12" Nipples, Universal Hub Plates

SE-3214 - Coating
PNC=Process No Color
P__=Paint



SE-3146
Upper & Lower
Arm Assy

1-Way Upper & Lower ICC Ped Arm Assy, 12" Nipples, Large Pole Hub Plates

SE-3308 - Coating
PNC=Process No Color
P__=Paint

Note: 1. All assemblies are supplied standard with stainless steel fasteners.
2. See Reference Section for available paint colors.

side-of-pole



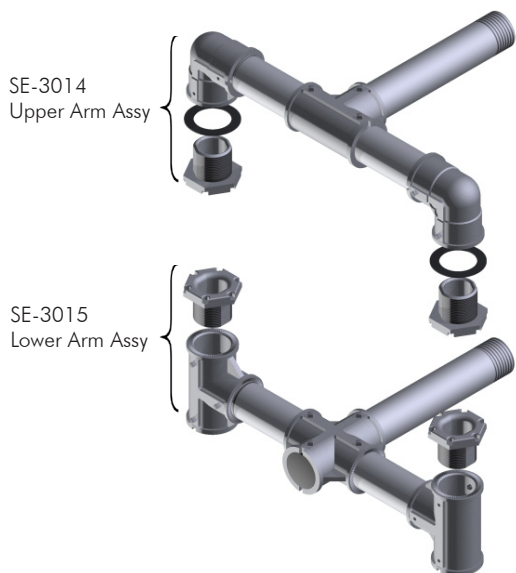
Aluminum 2-Way Side-of-Pole with Cast Nipples

Pelco's Side-of-Pole assemblies are designed to mount traffic and pedestrian signals on the side of traffic signal poles with an upper and lower arm. Available in aluminum or iron, and 1-1/2" NPS, tri-bolt, or tri-stud, and a vast array of hubs to accommodate both 1-way or 2-way signal configurations.



2-Way Upper & Lower Tandem Arm Assy, 10" Nipples

SE-3100 - Coating
 PNC=Process No Color
 P__=Paint



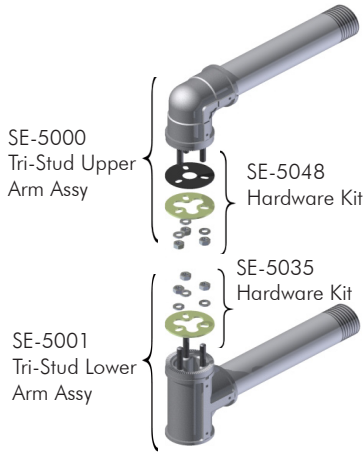
2-Way Upper & Lower Arm Assy, 16-1/2" CTC

SE-3075 - Coating
 PNC=Process No Color
 P__=Paint

Note: 1. All assemblies are supplied standard with stainless steel fasteners.
 2. See Components Section for choice of hub plates.
 3. See Reference Section for available paint colors.

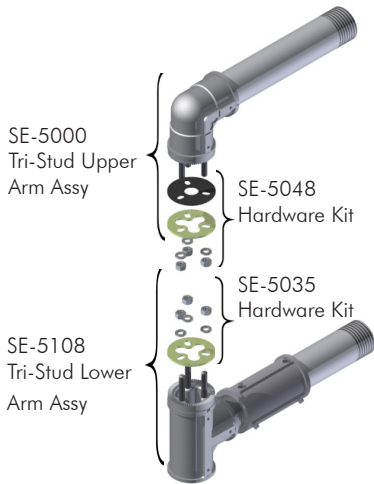
Aluminum 1 & 2-Way Side-of-Pole, Tri-Stud

Pelco's Side-of-Pole assemblies are designed to mount traffic and pedestrian signals on the side of traffic signal poles with an upper and lower arm. Available in aluminum or iron, and 1-1/2" NPS, tri-bolt, or tri-stud, and a vast array of hubs to accommodate both 1-way or 2-way signal configurations.



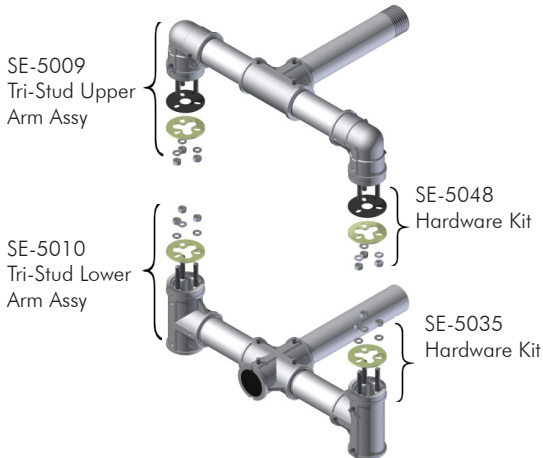
1-Way Upper & Lower Arm Assy, 10" Nipples

SE-5002 - Coating
 PNC=Process No Color
 P__=Paint



1-Way Upper & Lower Arm Assy, 10" Nipples

SE-5109 - Coating
 PNC=Process No Color
 P__=Paint



2-Way Upper & Lower Arm Assy, 16-1/2" CTC

SE-5011 - Coating
 PNC=Process No Color
 P__=Paint

- Note: 1. All assemblies are supplied standard with stainless steel fasteners.
 2. See Components Section for choice of hub plates.
 3. See Reference Section for available paint colors.

SIDE-OF-POLE



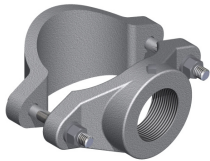
Aluminum Side-of-Pole

Pelco's Side-of-Pole assemblies are designed to mount traffic and pedestrian signals on the side of traffic signal poles with an upper and lower arm. Available in aluminum or iron, and 1-1/2" NPS, tri-bolt, or tri-stud, and a vast array of hubs to accommodate both 1-way or 2-way signal configurations.



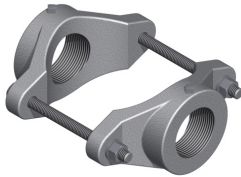
1-Way Hub Assy for 4-1/2" OD Pole

SE-3093 -
 Coating
 PNC=Process No Color
 P__=Paint



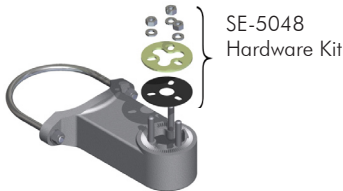
1-Way Hub Assy, 2-7/8" to 3-1/2" OD Pole

SE-3216 -
 Coating
 PNC=Process No Color
 P__=Paint



2-Way Hub Assy, 4-1/2" OD Pole

SE-3094 -
 Coating
 PNC=Process No Color
 P__=Paint



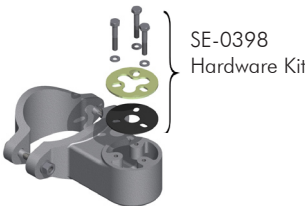
1-Way Tri-Stud for 8" & 12" Signals, 4-1/2" OD Pole

SE-0567 -
 Coating
 PNC=Process No Color
 P__=Paint



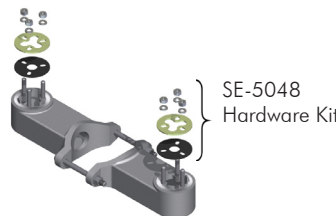
1-Way Tri-Stud for 8" Signals, 4-1/2" OD Pole

SE-5053 -
 Coating
 PNC=Process No Color
 P__=Paint



1-Way Tri-Stud for 8" Signals, 2-7/8" - 3-1/2" OD Pole

SE-5054 -
 Coating
 PNC=Process No Color
 P__=Paint



2-Way Tri-Stud for 8" & 12" Signals, 4-1/2" OD Pole

SE-5186 -
 Coating
 PNC=Process No Color
 P__=Paint

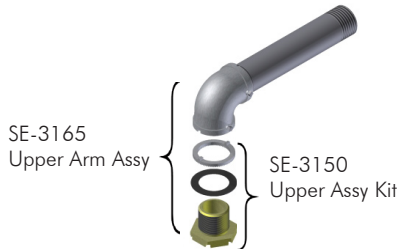
Note: 1. All assemblies are supplied standard with stainless steel fasteners.
 2. See Reference Section for available paint colors.

Iron 1-Way Side-of-Pole with Cast Nipples

Pelco's Side-of-Pole assemblies are designed to mount traffic and pedestrian signals on the side of traffic signal poles with an upper and lower arm. Available in aluminum or iron, and 1-1/2" NPS, tri-bolt, or tri-stud, and a vast array of hubs to accommodate both 1-way or 2-way signal configurations.



SIDE-OF-POLE



1-Way Upper & Lower Arm Assy, 10" Nipples

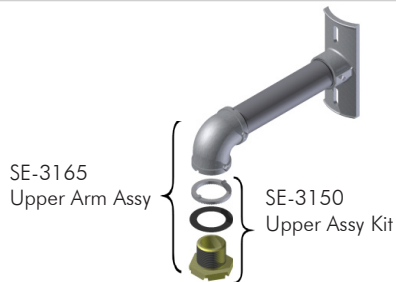
SE-3167 -

Coating

PNC=Process No Color
P__=Paint



Note:
See Components Section for choice of hub plates.



1-Way Upper & Lower Arm Assy, 10" Nipples & Iron Hub

SE-3309 -

Coating

PNC=Process No Color
P__=Paint



1-Way Upper & Lower ICC Ped Arm Assy, 12" Nipples

SE-3248 -

Coating

PNC=Process No Color
P__=Paint



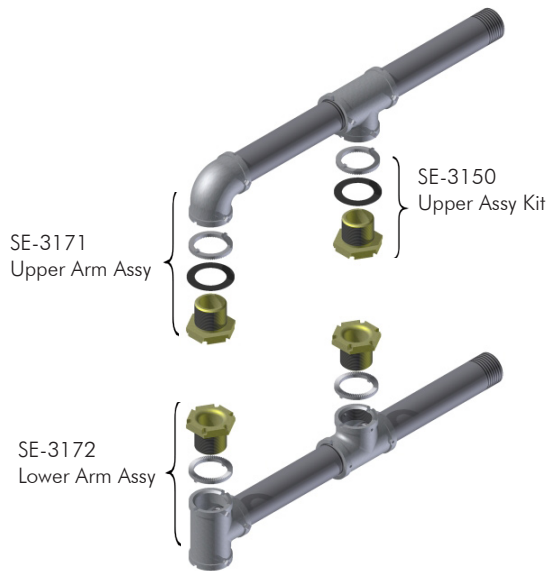
Note:
See Components Section for choice of hub plates.

Note: 1. All assemblies are supplied standard with stainless steel fasteners.
2. See Reference Section for available paint colors.



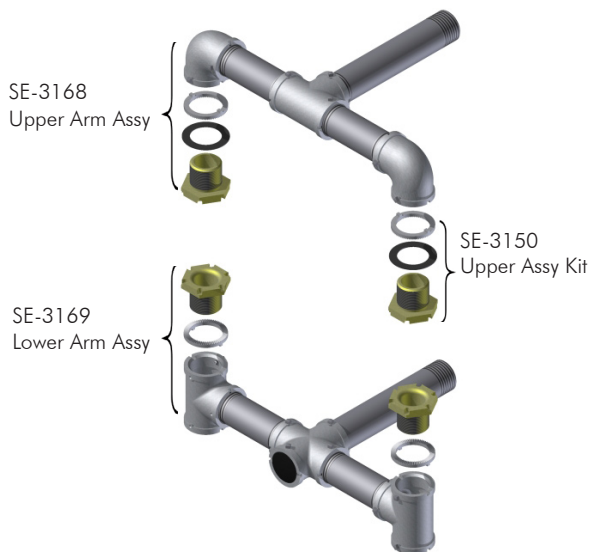
Iron 2-Way Side-of-Pole with Cast Nipples

Pelco's Side-of-Pole assemblies are designed to mount traffic and pedestrian signals on the side of traffic signal poles with an upper and lower arm. Available in aluminum or iron, and 1-1/2" NPS, tri-bolt, or tri-stud, and a vast array of hubs to accommodate both 1-way or 2-way signal configurations.



2-Way Upper & Lower Tandem Arm Assy, 10" Nipples

SE-3173 - Coating
 PNC=Process No Color
 P__=Paint



2-Way Upper & Lower Arm Assy, 16-1/2" CTC

SE-3170 - Coating
 PNC=Process No Color
 P__=Paint

Note: 1. All assemblies are supplied standard with stainless steel fasteners.
 2. See Components Section for choice of hub plates.
 3. See Reference Section for available paint colors.

Black Nylon 1-Way Side-of-Pole

Pelco's 1-Way Side-of-Pole, in black nylon, is a corrosion free signal mount that can be bolted or banded to the side of a pole. The assembly includes neoprene gaskets to fill the contour differences between the arms and the pole. If required, the plastic arms and octagonal closure caps can be painted.



1-Way Upper & Lower Arm Assy, Black Nylon

SE-3291 - Coating
PNC=Process No Color
P__=Paint

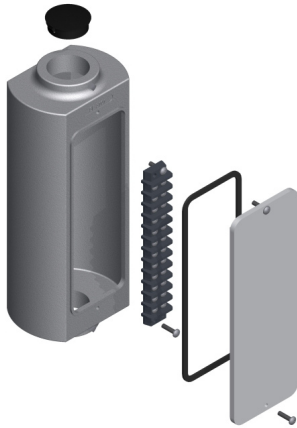
1-WAY SIDE-OF-POLE



Note: 1. All assemblies are supplied standard with stainless steel fasteners.
2. See Reference Section for available wet paint colors.

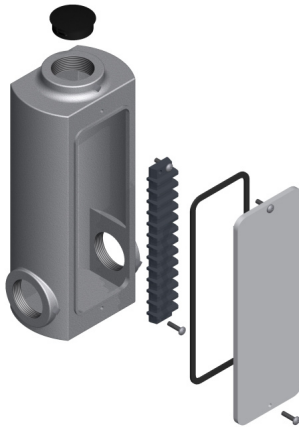
Rigid Signal Mountings Terminal Compartments

Pelco's Terminal Compartments are available with a flat back or curved for the side of a pole. Terminal Compartments are supplied with a 12-circuit terminal strip or block.



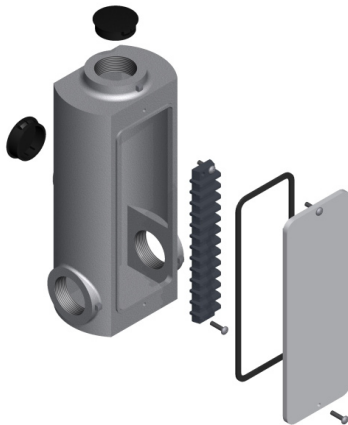
Terminal Compartment Assy, In-Line w/ Flat Back, Top & Bottom Hubs, Alum

SE-3101 - Coating
 PNC=Process No Color
 P__=Paint



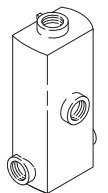
Terminal Compartment Assy, 2-Way Flat Back, Alum

SE-3083 - Coating
 PNC=Process No Color
 P__=Paint



Terminal Compartment Assy, 2-Way Flat Back, Rear Hub, Alum

SE-3084 - Coating
 PNC=Process No Color
 P__=Paint



Rear View

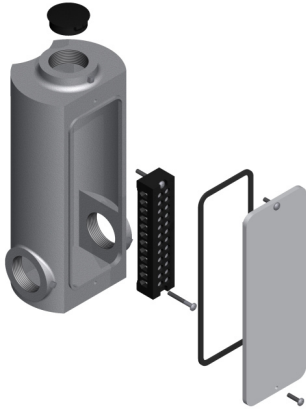
- Note: 1. All assemblies are supplied standard with stainless steel fasteners.
 2. In-line and flat back terminals supplied with 12-circuit barrier-type terminal strips.
 3. See Reference Section for available paint colors.

Rigid Signal Mountings Terminal Compartments

Pelco's Terminal Compartments are available with a flat back or curved for the side of a pole. Terminal Compartments are supplied with a 12-circuit terminal strip or block.

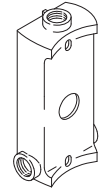


SIDE-OF-POLE

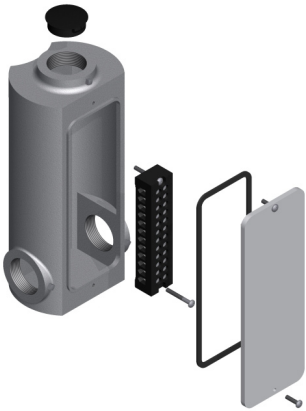


Terminal Compartment Assy, 2-Way Saddleback w/ Cable Entrance, Alum

SE-3081 - Coating
 PNC=Process No Color
 P__=Paint

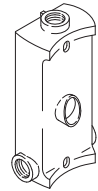


Rear View



Terminal Compartment Assy, 2-Way Saddleback w/ Cable Guide & Mounting Holes, Alum

SE-3078 - Coating
 PNC=Process No Color
 P__=Paint



Rear View

- Note: 1. All assemblies are supplied standard with stainless steel fasteners.
 2. Saddle back terminal compartments are supplied with 12-circuit compression-type terminal block.
 3. See Reference Section for available paint colors.