

Aluminum 1-Way Hanger Assemblies

Pelco's Span Wire mountings are available in aluminum or iron with 1-1/2" or tri-stud fittings. Balance adjusters provide additional adjustment capabilities, while tether assemblies may be used to anchor the bottom of signals in windy applications.



Span Wire Hanger Assy, Alum Cast Nipple

SE-3043 - Coating
 PNC=Process No Color
 P__=Paint

Note:
 Stainless bushing and/or stainless upgrade available.
 Specify by including -SB and/or -SS in the part number, i.e., SE-3043-SB-SS-PNC.



Span Wire Hanger Assy, Alum Tri-Stud

SE-5089 - Coating
 PNC=Process No Color
 P__=Paint

Note:
 Stainless bushing and/or stainless upgrade available.
 Specify by including -SB and/or -SS in the part number, i.e., SE-5089-SB-SS-PNC.



Span Wire Hanger Assy, Alum w/ Iron Balance Adjuster Cast Nipple

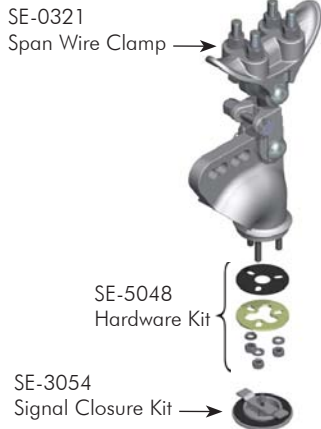
SE-3033 - Coating
 PNC=Process No Color
 P__=Paint

Note:
 Stainless bushing and/or stainless upgrade available.
 Specify by including -SB and/or -SS in the part number, i.e., SE-3033-SB-SS-PNC.

Note: 1. All assemblies are supplied standard with stainless steel fasteners and galvanized hardware on span wire clamps.
 2. Stainless steel bushing and/or stainless steel upgrade available.
 3. See Reference Section for available paint colors.

Aluminum 1-Way Hanger Assemblies

Pelco's Span Wire mountings are available in aluminum or iron with 1-1/2" or tri-stud fittings. Balance adjusters provide additional adjustment capabilities, while tether assemblies may be used to anchor the bottom of signals in windy applications.



Span Wire Hanger Assy w/ Iron Balance Adjuster Tri-Stud

SE-5162 - Coating
 PNC=Process No Color
 P__=Paint

Note:
 Stainless bushing and/or stainless upgrade available.
 Specify by including -SB and/or -SS in the part number, i.e., SE-5162-SB-SS-PNC.



Span Wire Hanger Assy w/ PAL Balance Adjuster Cast Nipple

SE-3276 - Coating
 PNC=Process No Color
 P__=Paint

Note:
 Stainless bushing and/or stainless upgrade available.
 Specify by including -SB and/or -SS in the part number, i.e., SE-3276-SB-SS-PNC.



Span Wire Hanger Assy w/ PAL Balance Adjuster Tri-Stud

SE-5164 - Coating
 PNC=Process No Color
 P__=Paint

Note:
 Stainless bushing and/or stainless upgrade available.
 Specify by including -SB and/or -SS in the part number, i.e., SE-5164-SB-SS-PNC.

- Note: 1. All assemblies are supplied standard with stainless steel fasteners and galvanized hardware on span wire clamps.
 2. Stainless steel bushing and/or stainless steel upgrade available.
 3. See Reference Section for available paint colors.

FREE-SWINGING



Aluminum 1-Way Hanger Assemblies Tri-Stud

Pelco's Span Wire mountings are available in aluminum or iron with 1-1/2" or tri-stud fittings. Balance adjusters provide additional adjustment capabilities, while tether assemblies may be used to anchor the bottom of signals in windy applications.



Span Wire Hanger Assy, w/ Iron Span Clamp, Tri-Stud & Adjustable Extender

SE-5072 - Coating
 PNC=Process No Color
 P__=Paint

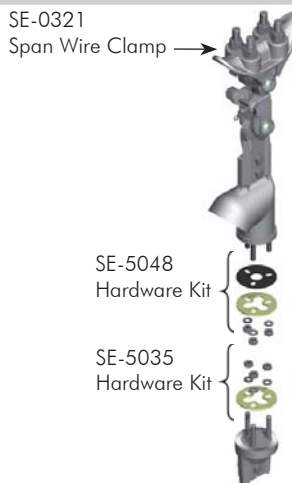
Note:
 Stainless bushing and/or stainless upgrade available.
 Specify by including -SB and/or -SS in the part number, i.e., SE-5072-SB-SS-PNC.



Span Wire Hanger Assy, w/ Iron Span Clamp, Tri-Stud, Adjustable Extender & Tether

SE-5024 - Coating
 PNC=Process No Color
 P__=Paint

Note:
 Stainless bushing and/or stainless upgrade available.
 Specify by including -SB and/or -SS in the part number, i.e., SE-5024-SB-SS-PNC.



Span Wire Hanger Assy, w/ Aluminum Span Clamp, Tri-Stud, Iron Balance Adjuster & Tether

SE-5073 - Coating
 PNC=Process No Color
 P__=Paint

Note:
 Stainless bushing and/or stainless upgrade available.
 Specify by including -SB and/or -SS in the part number, i.e., SE-5073-SB-SS-PNC.

- Note: 1. All assemblies are supplied standard with stainless steel fasteners and galvanized hardware on span wire clamps.
 2. Stainless steel bushing and/or stainless steel upgrade available.
 3. See Reference Section for available paint colors.

Aluminum 2-Way, 3-Way & 4-Way Span Wire Hanger Assemblies



Pelco's Span Wire mountings are available in aluminum or iron with 1-1/2" or tri-stud fittings. Balance adjusters provide additional adjustment capabilities, while tether assemblies may be used to anchor the bottom of signals in windy applications.



- 1. SE-3019 - Coating
 - 2. SE-3272 - **Span Wire Hanger Assy, 1-1/2" NPS Iron Balance Adjuster**
 - 3. SE-3274 - **Span Wire Hanger Assy, 1-1/2" NPS PAL Balance Adjuster**
- PNC=Process
No Color
P__=Paint

Note: For use with Upper & Lower Arm Assy's below.

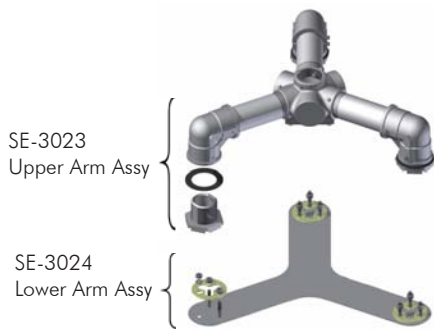
Note:
Stainless bushing and/or stainless upgrade available.
Specify by including -SB and/or -SS in the part number, i.e., SE-3019-SB-SS-PNC.



Upper & Lower Arm Assy, 2-Way 16-1/2" CTC

- SE-3038 - Coating
- PNC=Process No Color
P__=Paint

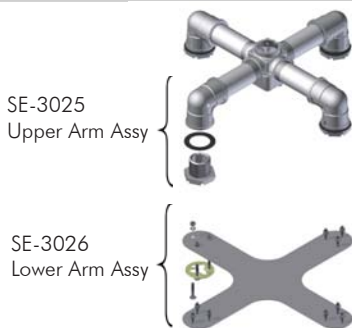
Note:
Specify stainless upgrade by including -SS in the part number, i.e., SE-3038-SS-PNC.



Upper & Lower Arm Assy, 3-Way 16-1/2" CTC

- SE-3039 - Coating
- PNC=Process No Color
P__=Paint

Note:
Specify stainless upgrade by including -SS in the part number, i.e., SE-3039-SS-PNC.



Upper & Lower Arm Assy, 4-Way 16-1/2" CTC

- SE-3040 - Coating
- PNC=Process No Color
P__=Paint

Note:
Specify stainless upgrade by including -SS in the part number, i.e., SE-3040-SS-PNC.

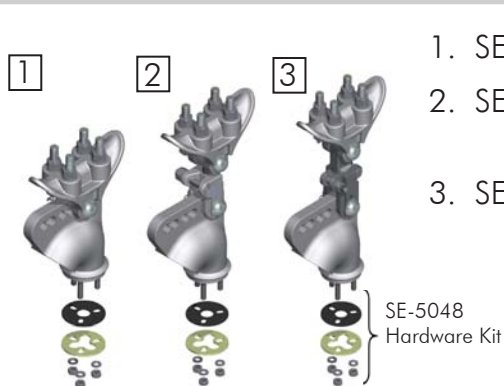
Note: 1. All assemblies are supplied standard with stainless steel fasteners and galvanized hardware on span wire clamps.
2. Stainless steel bushing and/or stainless steel upgrade available.
3. See Reference Section for available paint colors.

FREE-SWINGING



Aluminum 2-Way, 3-Way & 4-Way Span Wire Hanger Assemblies

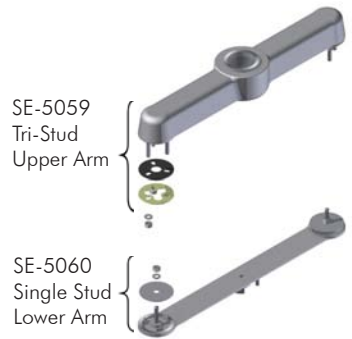
Pelco's Span Wire mountings are available in aluminum or iron with 1-1/2" or tri-stud fittings. Balance adjusters provide additional adjustment capabilities, while tether assemblies may be used to anchor the bottom of signals in windy applications.



- 1. SE-5063 - Coating
 - 2. SE-5088 - Coating
 - 3. SE-5163 - Coating
- PNC=Process No Color
P__=Paint

Span Wire Hanger Assy, Tri-Stud
Span Wire Hanger Assy, Tri-Stud Iron Balance Adjuster
Span Wire Hanger Assy, Tri-Stud PAL Balance Adjuster

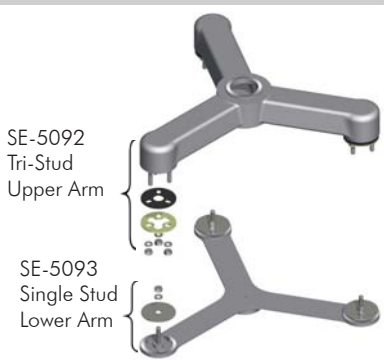
Note:
 Stainless bushing and/or stainless upgrade available.
 Specify by including -SB and/or -SS in the part number, i.e., SE-5063-SB-SS-PNC.



Upper & Lower Arm Assy, 2-Way 17" CTC, Cast Tri-Stud

- SE-5061 - Coating
- PNC=Process No Color
P__=Paint

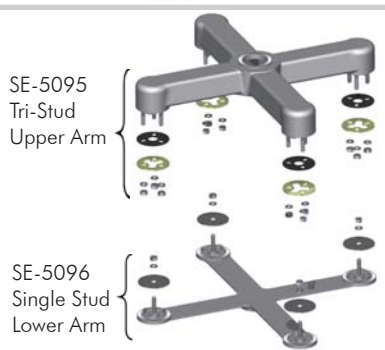
Note:
 Specify stainless upgrade by including -SS in the part number, i.e., SE-5061-SS-PNC.



Upper & Lower Arm Assy, 3-Way 17" CTC, Cast Tri-Stud

- SE-5094 - Coating
- PNC=Process No Color
P__=Paint

Note:
 Specify stainless upgrade by including -SS in the part number, i.e., SE-5094-SS-PNC.



Upper & Lower Arm Assy, 4-Way 17" CTC, Cast Tri-Stud

- SE-5097 - Coating
- PNC=Process No Color
P__=Paint

Note:
 Specify stainless upgrade by including -SS in the part number, i.e., SE-5097-SS-PNC.

Note: 1. All assemblies are supplied standard with stainless steel fasteners and galvanized hardware on span wire clamps.
 2. Stainless steel bushing and/or stainless steel upgrade available.
 3. See Reference Section for available paint colors.

Aluminum 5-Section Cluster Span Wire Hanger Assemblies

Pelco's Span Wire mountings are available in aluminum or iron with 1-1/2" or tri-stud fittings. Balance adjusters provide additional adjustment capabilities, while tether assemblies may be used to anchor the bottom of signals in windy applications.

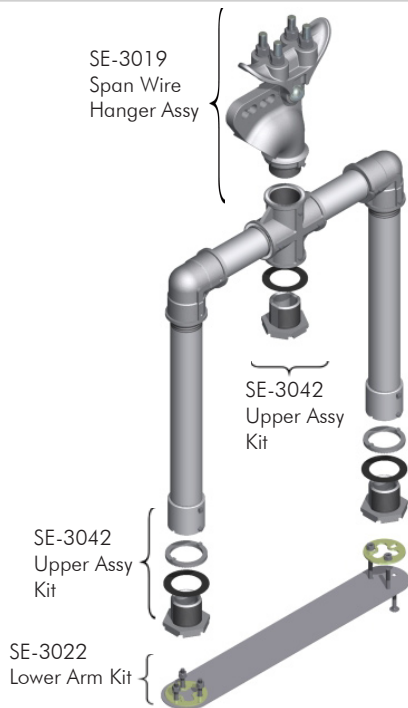


Cluster Assy, 5-Section 16-1/2" CTC, Cast Nipple

SE-3120 - Coating
 PNC=Process No Color
 P__=Paint



Note:
 Stainless bushing and/or stainless upgrade available.
 Specify by including -SB and/or -SS in the part number, i.e., SE-3120-SB-SS-PNC.



Cluster Assy, 5-Section 16-1/2" CTC, Cast Nipple

SE-3137 - Coating
 PNC=Process No Color
 P__=Paint



Note:
 Stainless bushing and/or stainless upgrade available.
 Specify by including -SB and/or -SS in the part number, i.e., SE-3137-SB-SS-PNC.

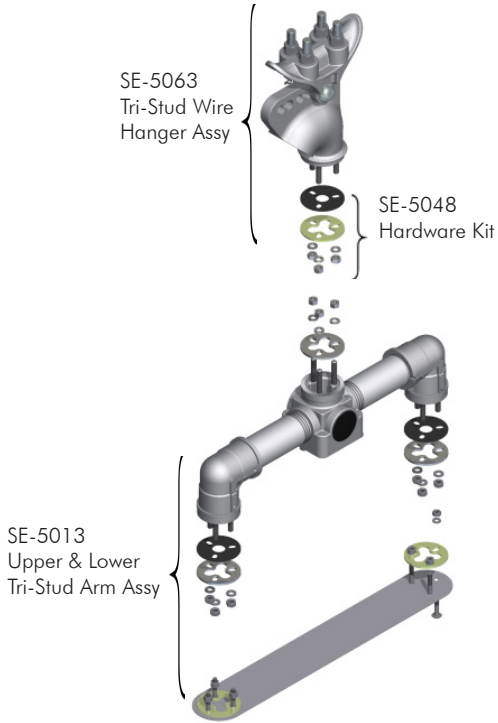
- Note: 1. All assemblies are supplied standard with stainless steel fasteners and galvanized hardware on span wire clamps.
 2. Stainless steel bushing and/or stainless steel upgrade available.
 3. See Reference Section for available paint colors.

FREE-SWINGING



Aluminum 5-Section Cluster Span Wire Hanger Assemblies

Pelco's Span Wire mountings are available in or iron aluminum with 1-1/2" or tri-stud fittings. Balance adjusters provide additional adjustment capabilities, while tether assemblies may be used to anchor the bottom of signals in windy applications.

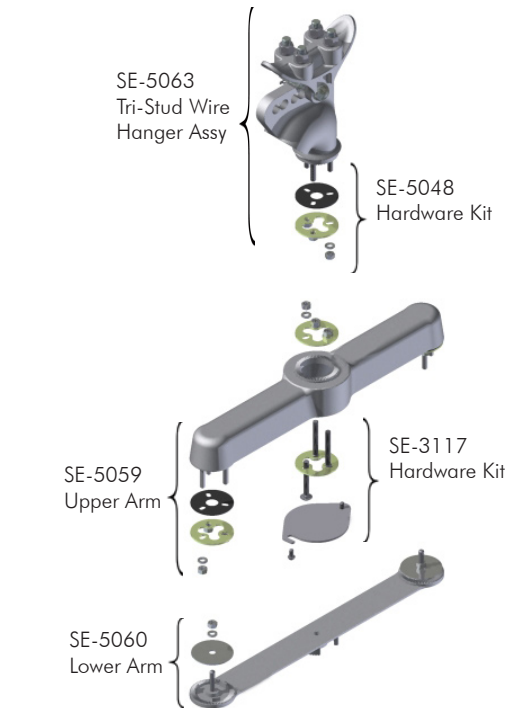


Cluster Assy, 5-Section 16-1/2" CTC Tri-Stud

SE-5166 - Coating
 PNC=Process No Color
 P__=Paint



Note:
 Stainless bushing and/or stainless upgrade available.
 Specify by including -SB and/or -SS in the part number, i.e., SE-5166-SB-SS-PNC.



Cluster Assy, 5-Section 17" CTC Tri-Stud

SE-5165 - Coating
 PNC=Process No Color
 P__=Paint

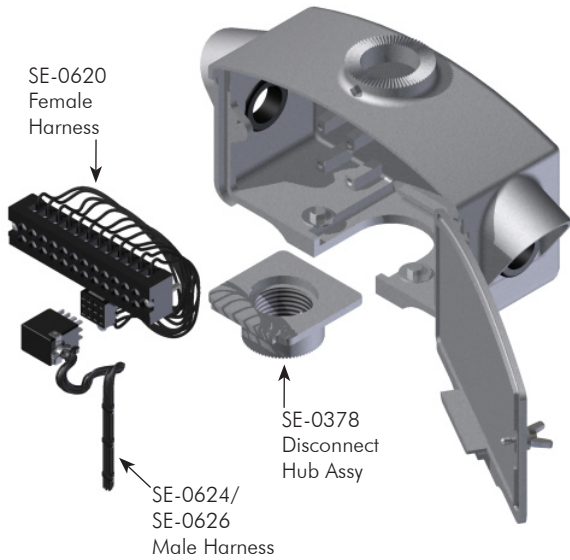


Note:
 Stainless bushing and/or stainless upgrade available.
 Specify by including -SB and/or -SS in the part number, i.e., SE-5165-SB-SS-PNC.

- Note: 1. All assemblies are supplied standard with stainless steel fasteners and galvanized hardware on span wire clamps.
 2. Stainless steel bushing and/or stainless steel upgrade available.
 3. See Reference Section for available paint colors.

12 Circuit Disconnect Hanger Assemblies

Pelco's Disconnect Hangers are available in 12-circuit and 18-circuit with 1-1/2" threaded or slip top and 1-1/2" threaded or tri-stud bottom hubs.



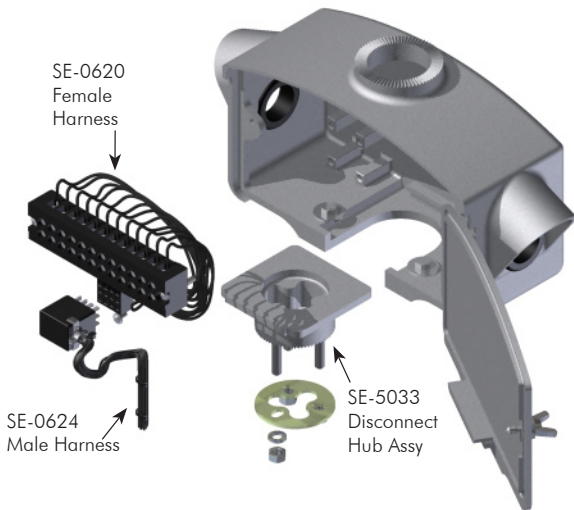
Disconnect Hanger, 12-Circuit 1-1/2" NPS Top & Bottom Hub w/ 4' Harness

SE-3073 - Coating
PNC=Process No Color
P__=Paint

Disconnect Hanger, 12-Circuit 1-1/2" NPS Top & Bottom Hub w/ 7' Harness

SE-3195 - Coating
PNC=Process No Color
P__=Paint

Disconnect Hanger, 12-Circuit 2" Slip Top & Tri-Stud Bottom Hub w/ 4' Harness



SE-5031 - Coating
PNC=Process No Color
P__=Paint

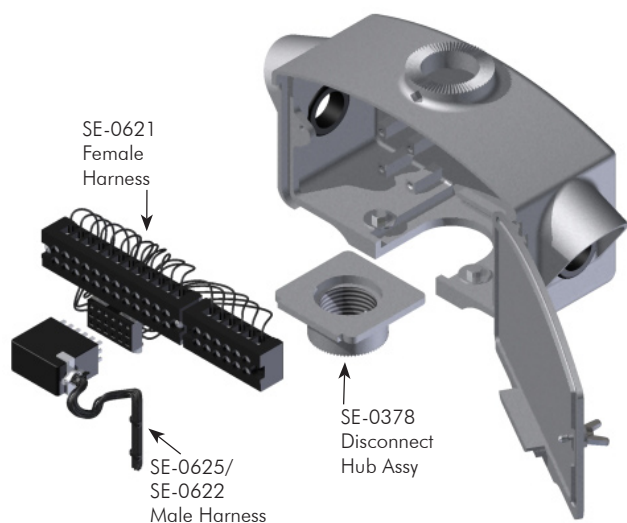
- Note: 1. All harnesses come with 18 AWG wire pre-tinned and numbered on 3" centers.
2. All assemblies are supplied standard with stainless steel fasteners.
3. See Reference Section for available paint colors.

FREE-SWINGING



18 Circuit Disconnect Hanger Assemblies

Pelco's Disconnect Hangers are available in 12-circuit and 18-circuit with 1-1/2" threaded or slip top and 1-1/2" threaded or tri-stud bottom hubs.

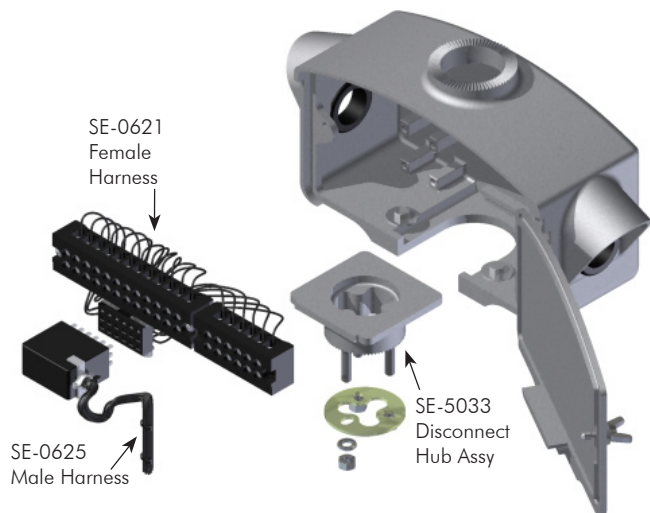


Disconnect Hanger, 18-Circuit 1-1/2" NPS Top & Bottom Hub w/ 4' Harness

SE-3077 - Coating
 PNC=Process No Color
 P__=Paint

Disconnect Hanger, 18-Circuit 1-1/2" NPS Top & Bottom Hub w/ 7' Harness

SE-3196 - Coating
 PNC=Process No Color
 P__=Paint



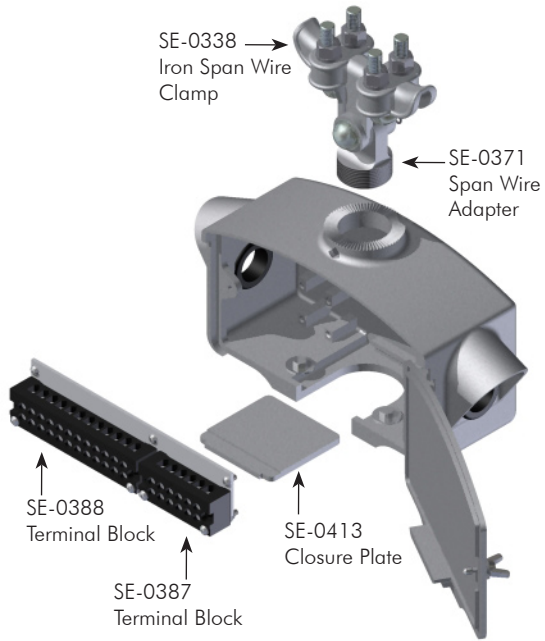
Disconnect Hanger, 18-Circuit 2" Slip Top & Tri-Stud Bottom Hub w/ 4' Harness

SE-5032 - Coating
 PNC=Process No Color
 P__=Paint

- Note: 1. All harnesses come with 18 AWG wire pre-tinned and numbered on 3" centers.
 2. All assemblies are supplied standard with stainless steel fasteners.
 3. See Reference Section for available paint colors.

Span Wire Terminal Compartment

Pelco's Disconnect Hangers are available in 12-circuit and 18-circuit with 1-1/2" threaded or slip top and 1-1/2" threaded or tri-stud bottom hubs.



Span Wire Terminal Compartment, 18-Circuit w/ Hanger Assembly

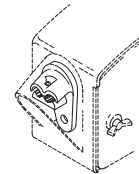
SE-3092 - Coating
 PNC=Process No Color
 P__=Paint

Note:
 Stainless bushing and/or stainless upgrade available.
 Specify by including -SB and/or -SS in the part number, i.e., SE-3092-SB-SS-PNC.

Cable Clamp Kit, 2-Cable, Alum



SE-4201 - Coating
 PNC=Process No Color
 P__=Paint



Note:
 Stainless bushing and/or stainless upgrade available.
 Specify by including -SB and/or -SS in the part number, i.e., SE-4201-SB-SS-PNC.

- Note: 1. All assemblies are supplied standard with stainless steel fasteners and galvanized hardware on span wire clamps.
 2. Stainless steel upgrade available: includes stainless steel hardware on span wire clamps.
 3. See Reference Section for available paint colors.

FREE-SWINGING



Hanger Assemblies

Various hanger assemblies are available with or without balance adjusters and extenders for mounting Disconnects.



Balance Assy, Tri-Stud, 3/4" Width

SE-5034 - Coating
 PNC=Process No Color
 P__=Paint

Note:
 Stainless bushing and/or stainless upgrade available.
 Specify by including -SB and/or -SS in the part number, i.e., SE-5034-SB-SS-PNC.



Hanger Assy, Tri-Stud, 1/2" Width

SE-5036 - Coating
 PNC=Process No Color
 P__=Paint

Note:
 Stainless bushing and/or stainless upgrade available.
 Specify by including -SB and/or -SS in the part number, i.e., SE-5036-SB-SS-PNC.



Hanger Assy, Tri-Stud, Adjustable Span Clamp & Tether

SE-5118 - Coating
 PNC=Process No Color
 P__=Paint

Note:
 Stainless bushing and/or stainless upgrade available.
 Specify by including -SB and/or -SS in the part number, i.e., SE-5118-SB-SS-PNC.



Hanger Assy, Tri-Stud, Adjustable Tether

SE-5055 - Coating
 PNC=Process No Color
 P__=Paint

Note:
 Stainless bushing and/or stainless upgrade available.
 Specify by including -SB and/or -SS in the part number, i.e., SE-5055-SB-SS-PNC.

Note: 1. All assemblies are supplied standard with stainless steel fasteners and galvanized hardware on span wire clamps.
 2. Stainless steel bushing and/or stainless steel upgrade available.
 3. See Reference Section for available paint colors.

Aluminum Horizontal Span Wire Assemblies

Horizontal assemblies are available with aluminum or iron span wire clamps and wire outlet body for up to a 5-section signal.



FREE-SWINGING



SE-0338
Iron Span
Wire Clamp



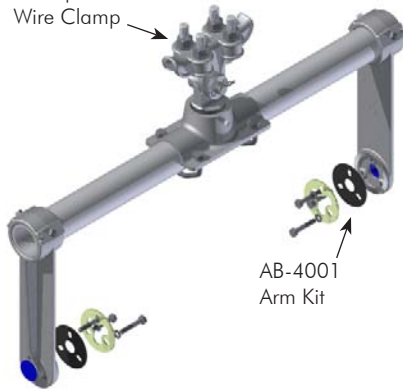
Horizontal Span Wire Assy w/ Slip Tee

AB-0127 - -

Signal Section	Coating
1=1 Sec	PNC=Process No Color
2=2 Sec	P__=Paint
3=3 Sec	
4=4 Sec	
5=5 Sec	

Note:
Stainless bushing and/or stainless upgrade available.
Specify by including -SB and/or -SS in the part number, i.e., AB-0127-1-SB-SS-PNC.

SE-0338
Iron Span
Wire Clamp



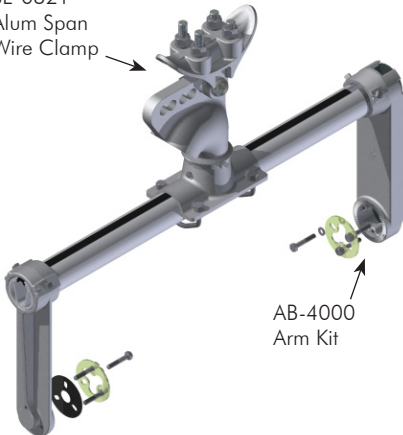
Horizontal Span Wire Assy w/ Tube Saddle

AB-0123 - -

Signal Section	Coating
1=1 Sec	PNC=Process No Color
2=2 Sec	P__=Paint
3=3 Sec	
4=4 Sec	
5=5 Sec	

Note:
Stainless bushing and/or stainless upgrade available.
Specify by including -SB and/or -SS in the part number, i.e., AB-0123-1-SB-SS-PNC.

SE-0321
Alum Span
Wire Clamp



Horizontal Span Wire Assy w/ Wire Outlet Body

AB-0122 - -

Signal Section	Coating
1=1 Sec	PNC=Process No Color
2=2 Sec	P__=Paint
3=3 Sec	
4=4 Sec	
5=5 Sec	

Note:
Stainless bushing and/or stainless upgrade available.
Specify by including -SB and/or -SS in the part number, i.e., AB-0122-1-SB-SS-PNC.

Note: 1. All assemblies are supplied standard with stainless steel fasteners and galvanized hardware on span wire clamps.
2. Stainless steel bushing and/or stainless steel upgrade available.
3. See Reference Section for available paint colors.

Iron 1-Way Hanger Assemblies

Pelco's Span Wire mountings are available in aluminum or iron with 1-1/2" or tri-stud fittings. Balance adjusters provide additional adjustment capabilities, while tether assemblies may be used to anchor the bottom of signals in windy applications.



Span Wire Hanger Assy w/ Signal Closure Kit

SE-3139 - Coating
P__=Paint

Note:
Stainless bushing and/or stainless upgrade available.
Specify by including -SB and/or -SS in the part number, i.e., SE-3139-SB-SS-P__.



Span Wire Hanger Assy w/ Iron Balance Adjuster & Signal Closure Kit

SE-3151 - Coating
P__=Paint

Note:
Stainless bushing and/or stainless upgrade available.
Specify by including -SB and/or -SS in the part number, i.e., SE-3151-SB-SS-P__.



Span Wire Hanger Assy w/ PAL Balance Adjuster & Signal Closure Kit

SE-3277 - Coating
P__=Paint

Note:
Stainless bushing and/or stainless upgrade available.
Specify by including -SB and/or -SS in the part number, i.e., SE-3277-SB-SS-P__.

- Note: 1. All assemblies are supplied standard with stainless steel fasteners and galvanized hardware on span wire clamps.
2. Stainless steel bushing and/or stainless steel upgrade available.
3. See Reference Section for available paint colors.

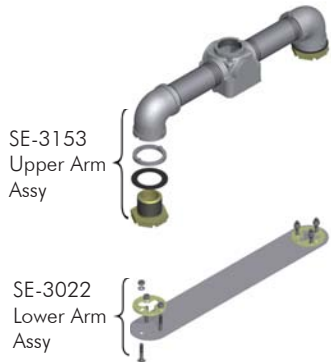
Iron 2-Way, 3-Way & 4-Way Span Wire Hanger Assemblies

Pelco's Span Wire mountings are available in aluminum or iron with 1-1/2" or tri-stud fittings. Balance adjusters provide additional adjustment capabilities, while tether assemblies may be used to anchor the bottom of signals in windy applications.



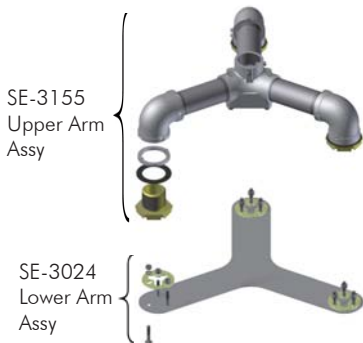
- 1. SE-3070 - Coating
- 2. SE-3273 -
- 3. SE-3275 - P__=Paint

Span Wire Hanger Assy, 1-1/2" NPS
Span Wire Hanger Assy, 1-1/2" NPS Balance Adjuster
Span Wire Hanger Assy, 1-1/2" NPS PAL Balance Adjuster



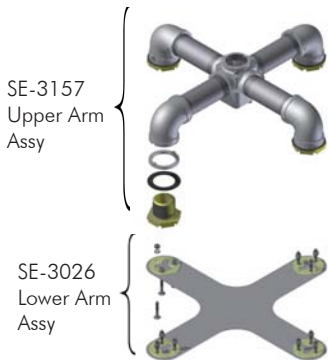
Upper & Lower Arm Assy, 2-Way 16-1/2" CTC

- SE-3154 - Coating
- P__=Paint



Upper & Lower Arm Assy, 3-Way 16-1/2" CTC

- SE-3156 - Coating
- P__=Paint



Upper & Lower Arm Assy, 4-Way 16-1/2" CTC

- SE-3158 - Coating
- P__=Paint

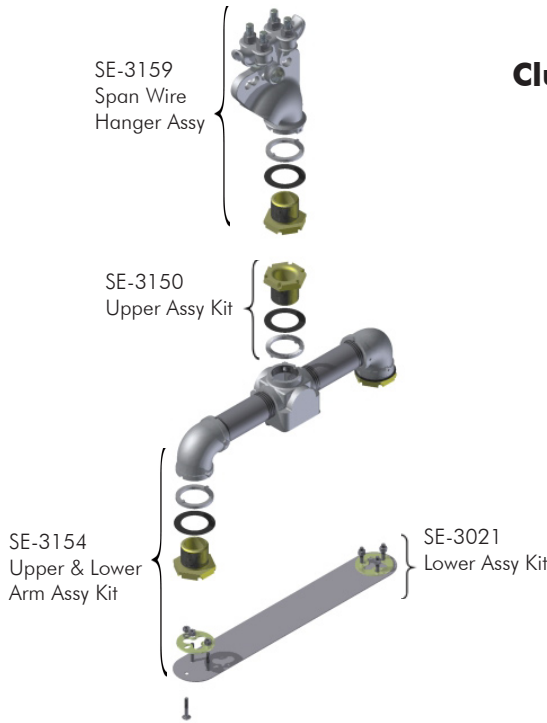
Note: 1. All assemblies are supplied standard with stainless steel fasteners and galvanized hardware on span wire clamps. Stainless upgrade to include stainless hardware and stainless slotted washer where applicable.
 2. See Reference Section for available paint colors.

FREE-SWINGING



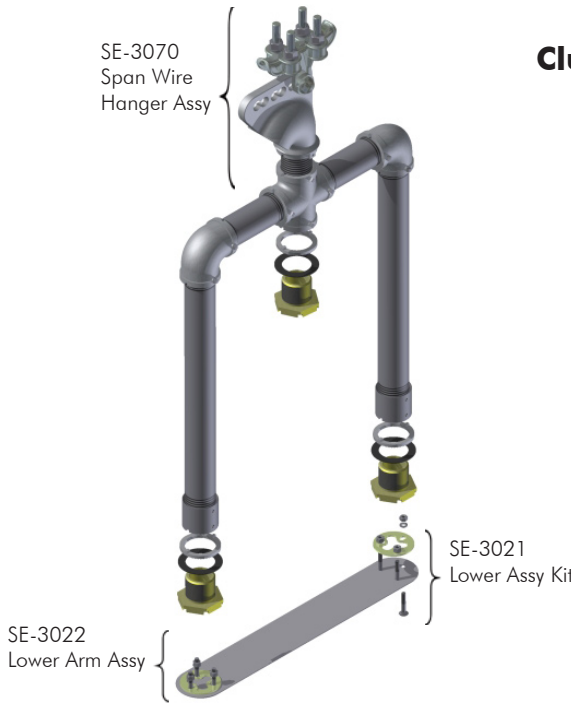
Iron 5-Section Cluster Span Wire Hanger Assemblies

Pelco's Span Wire mountings are available in aluminum or iron with 1-1/2" or tri-stud fittings. Balance adjusters provide additional adjustment capabilities, while tether assemblies may be used to anchor the bottom of signals in windy applications.



Cluster Assy, 5-Section 16-1/2" CTC

SE-3160 - Coating
P__=Paint



Cluster Assy, 5-Section 16-1/2" CTC

SE-3161 - Coating
P__=Paint

- Note: 1. All assemblies are supplied standard with stainless steel fasteners and galvanized hardware on span wire clamps. Stainless upgrade to include stainless hardware and stainless slotted washer where applicable.
2. See Reference Section for available paint colors.

Signal Accessories

Pelco supplies various accessories for span wire mounted signs and signals. See section T14 for additional components.



Lower Arm Assy, 2-Way, 16-1/2" CTC, Steel

SE-3162 - Coating
P__=Paint



Lower Arm Assy, 3-Way, 16-1/2" CTC, Steel

SE-3163 - Coating
P__=Paint



Lower Arm Assy, 4-Way, 16-1/2" CTC, Steel

SE-3164 - Coating
P__=Paint



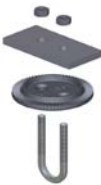
Tether Assembly, Break-Away, 1-1/2" Pipe, Steel

SE-3055 - Coating
ZN1=Zinc1 Plated
P__=Paint



Tether Assembly, Extended Bottom, Alum

SE-3307 - Length - Coating
6=6" PNC=Process No Color
18=18" P__=Paint
28=28"



Tether Assembly, Non-Break-Away, Alum

SE-3293 - Coating
PNC=Process No Color
P__=Paint



Tether Assembly, 1-1/2" Break-Away, Alum

SE-5121 - Extender - Coating
Blank=No Extender PNC=Process No Color
11=11" P__=Paint
19=19"
72=72"



Note:
Available with or
without Extender Bar.

Note: 1. All assemblies are supplied standard with stainless steel fasteners.
2. See Reference Section for available paint colors.

FREE-SWINGING



Signal Accessories

Pelco supplies various accessories for span wire mounted signs and signals. See section T14 for additional components.



FREE-SWINGING



Tether Assembly, Tri-Stud Break-Away, Alum



SE-5050 - Extender - Coating
 Blank=No Extender PNC=Process No Color
 11=11" P__=Paint
 19=19"
 72=72"



Note:
Available with or without Extender Bar.

Note:
Stainless bushing and/or stainless upgrade available.
Specify by including -SB and/or -SS in the part number, i.e., SE-5050-SB-SS-PNC.

Tether Assembly, Single-Stud Break-Away, Alum



SE-5058 - Extender - Coating
 Blank=No Extender PNC=Process No Color
 11=11" P__=Paint
 19=19"
 72=72"



Note:
Available with or without Extender Bar.

Extender Bar, Aluminum



SE-0507 - Length - Coating
 11=11" PNC=Process No Color
 19=19" P__=Paint
 72=72"

SE-4028-ZN1 **CGB 3/4", .55"-.65" Wire Range, Zinc 1**



SE-0490-ZN1 **CGB, 3/4", .625"-.75" Wire Range, Zinc 1**

SE-4216-ZN1 **CGB, 1", .55"-.625" Wire Range, Zinc 1**



SM-0906-ZN2 **Opticom Cable Hanger, 1/2" Wire, 7/16"-14 x 3/4"-14 NPT, Iron, Zinc 2**

Note: 1. All assemblies are supplied standard with stainless steel fasteners.
 Stainless upgrade to include stainless slotted washer where applicable.
 2. See Reference Section for available paint colors.

Span Wire Hardware Kits



SE-5048-SS **Tri-Stud Hardware Kit w/ Gasket, 5/16"-18
Zinc Slotted Washer & Stainless Hardware**



SE-5123-SS **Tri-Stud Hardware Kit w/ Gasket, 5/16"-18
Stainless Slotted Washer & Stainless Hardware**



SE-5035-SS **Tri-Stud Hardware Kit w/o Gasket, 5/16"-18
Zinc Slotted Washer & Stainless Hardware**



SE-5122-SS **Tri-Stud Hardware Kit w/o Gasket, 5/16"-18
Stainless Slotted Washer & Stainless Hardware**



SE-5100-SS **Tri-Bolt Hardware Kit w/ Gasket, 5/16"-18
Zinc Slotted Washer & Stainless Hardware**



SE-5125-SS **Tri-Bolt Hardware Kit w/ Gasket, 5/16"-18
Stainless Slotted Washer & Stainless Hardware**



SE-5101-SS **Tri-Bolt Hardware Kit w/o Gasket, 5/16"-18
Zinc Slotted Washer & Stainless Hardware**

FREE-SWINGING



Span Wire Hardware Kits



SE-5126-SS **Tri-Bolt Hardware Kit w/o Gasket, 5/16"-18
Stainless Slotted Washer & Stainless Hardware**



SE-0398-SS **Tri-Bolt Hardware Kit w/ Gasket, 1/4"-20
Zinc Slotted Washer & Stainless Hardware**



SE-4111-SS **Tri-Bolt Hardware Kit w/ Gasket, 1/4"-20
Stainless Slotted Washer & Stainless Hardware**



SE-5064-SS **Single-Stud Hardware Kit, 5/16"-18
Stainless Single Stud Washer & Stainless Hardware**



SE-3021-SS **Lower Assembly Kit, 1/4"-20
Zinc Slotted Washer & Stainless Hardware**



SE-3227-SS **Lower Assembly Kit, 1/4"-20
Stainless Slotted Washer & Stainless Hardware**



SE-3045-SS **Plumbizer Hardware Kit, 5/16"-18
Zinc Slotted Washer & Stainless Hardware**

Span Wire Hardware Kits



SE-3282-SS **Plumbizer Hardware Kit, 5/16"-18**
Stainless Slotted Washer & Stainless Hardware



SE-3117-SS **Signal to Signal Mounting Kit, 5/16"-18**
Zinc Slotted Washer & Stainless Hardware



SE-4112-SS **Signal to Signal Mounting Kit, 5/16"-18**
Stainless Slotted Washer & Stainless Hardware



SE-0375-ZN2 **Slotted Washer, Zinc Plated**



SE-0375-SS **Slotted Washer, Stainless Steel**



SE-4113-SS **Single-Stud Washer, Stainless Steel**



AB-0278-PNC **Slotted Gasket, Neoprene**

FREE-SWINGING

