

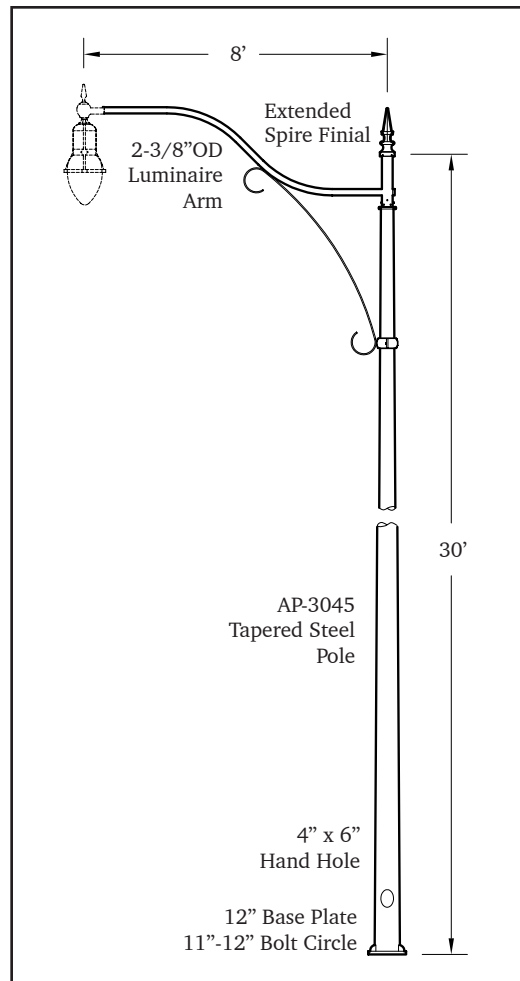


AP-7267
Traditional I Luminaire
Decorative Arm Kit

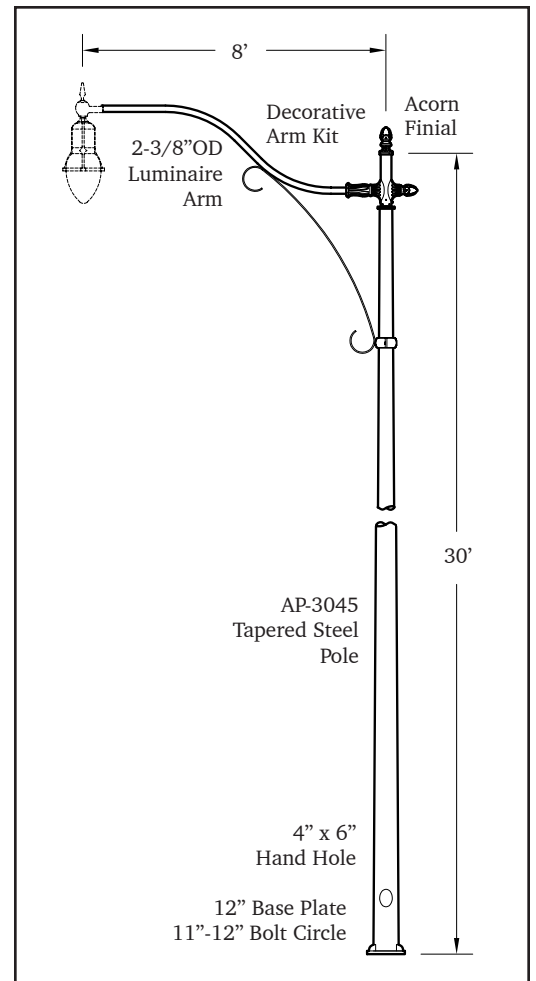
When it comes to area lighting and roadways, Pelco offers the Traditional Series I for areas that demand a period look with an affordable price. The tapered steel poles combined with the steel luminaire arm offer a graceful look that will withstand the dynamic effects of nature. Turn back time by adding Pelco's decorative Arm Kit for a turn of the century look.



Traditional Series I
w/ Decorative Arm Kit



AP-8301
Single Pole & Arm



AP-8335
Single Pole & Arm
w/Decorative Arm Kit

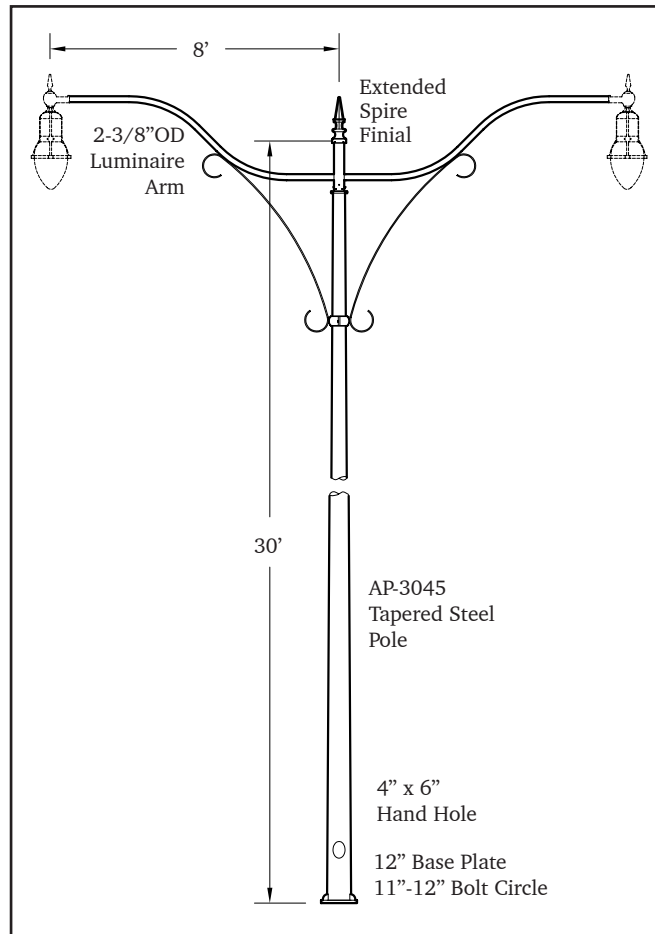
Notes:

1. For base accommodations see Section 4 page 9.
2. For fixture see Section 2 page 5.

The Traditional Series II Twin Luminaire offers all the same features of the Traditional Series I. Designed for parking lot and roadway median applications, this twin arm assembly allows the mounting of two fixtures for maximum illumination with a symmetrical look.



Standard Traditional Series II
w/ Renaissance Fixtures

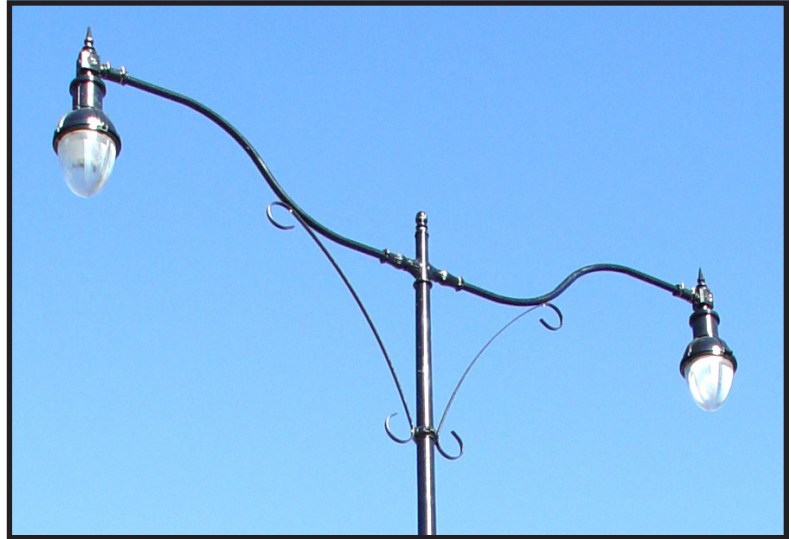


AP-8302
Twin Pole & Arm

Notes:

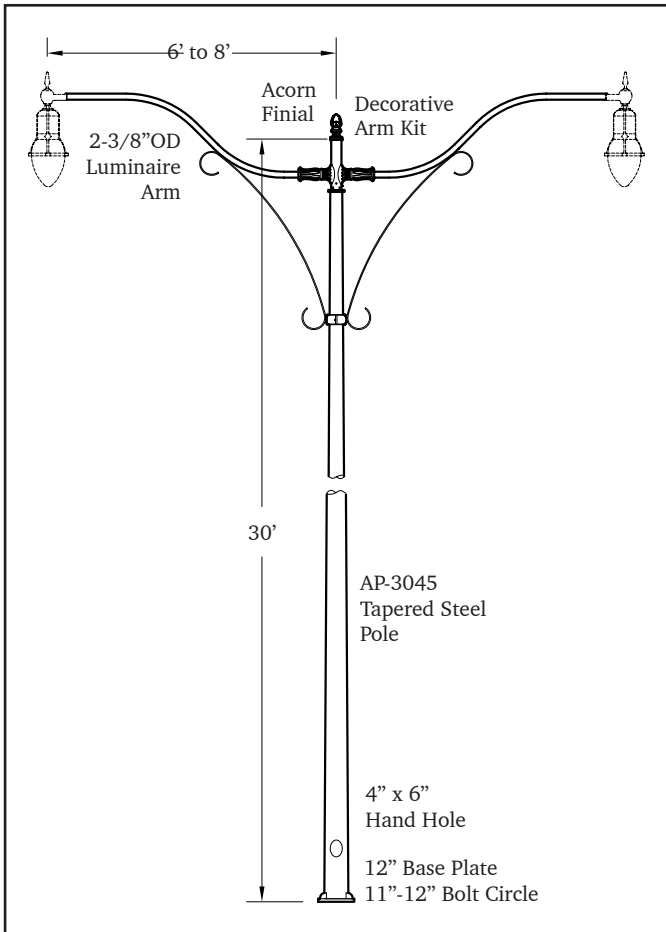
1. For base accommodations see Section 4 page 9.
2. For fixture see Section 2 page 5.

The Traditional Series II equipped with the decorative arm kit allows designers the ability to recreate a look from the 19th Century. This assembly is a perfect cost effective solution when used with the ever popular Renaissance fixtures.

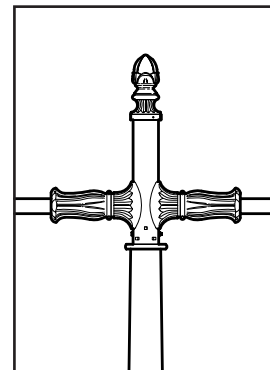


Decorative Traditional Series II
w/ Renaissance Fixtures

- Notes: 1. For base accommodations see Section 4 page 9.
2. For fixture see Section 2 page 5.



AP-8336
Twin Pole & Arm
w/ Decorative Arm Kit



AP-7283
Traditional II Luminaire
Decorative Arm Kit

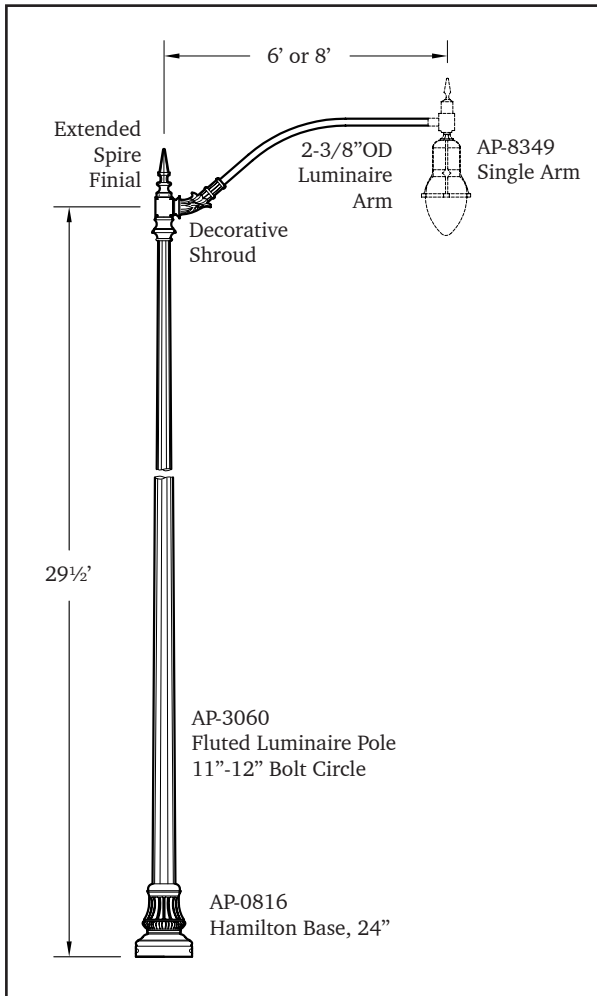
The Majestic Series I light poles grace roadways and public spaces with a classic elegance enhancing a community's natural and historic beauty. A fluted tapered steel pole and steel Luminaire arm offer incredible strength and durability that will stand the tests of time.

Finishing touches complete the period look with a decorative finial assembly, a detailed arm shroud, and Hamilton aluminum base assembly.



Majestic Series I
w/ Single Luminaire Arm

- Notes: 1. For base accommodations see Section 4 page 9.
2. For fixture see Section 2 page 5.



Hamilton Alum Base

AP-8327
6' Single Pole & Arm

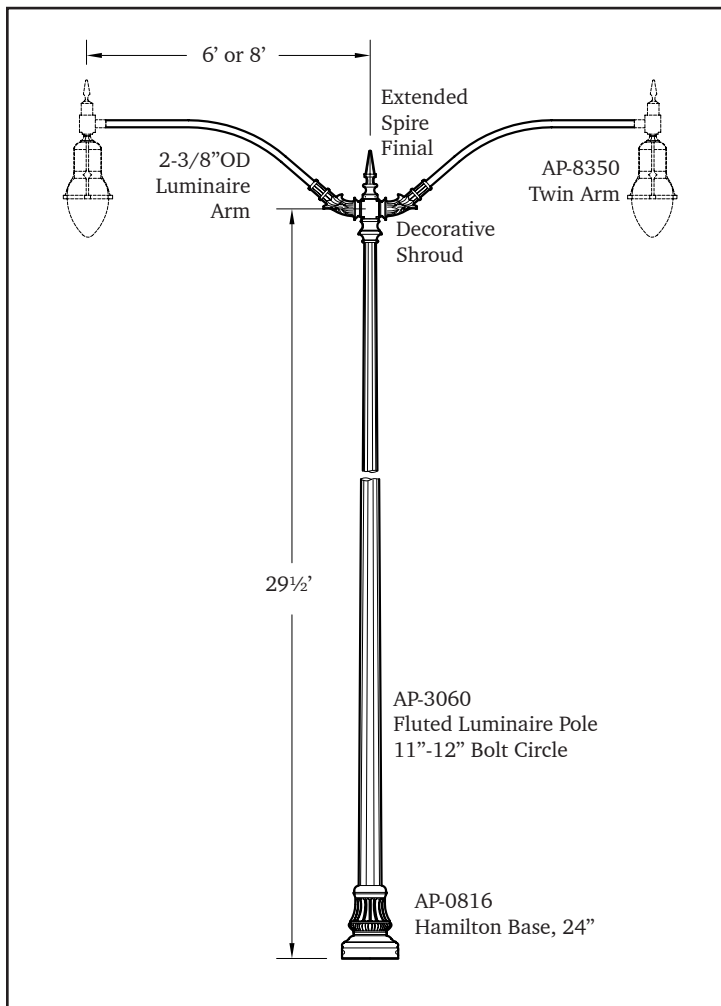
AP-8347
8' Single Pole & Arm

The Majestic II Series light poles are manufactured for use with two luminaires while maintaining the same craftsmanship and strength of the Majestic Series I. For use in upscale projects, the Majestic II Series offers designers the ability to maximize symmetrical light output with a classically designed Luminaire pole.



Majestic Series II
w/ Twin Luminaire Arm

- Notes: 1. For base accommodations see Section 4 page 9.
2. For fixture see Section 2 page 5.



Hamilton Alum Base

AP-8328
6' Twin Pole & Arm

AP-8348
8' Twin Pole & Arm