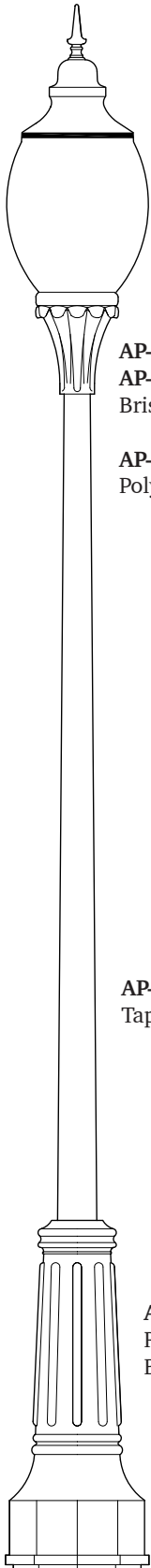


Pelco's ABS Plastic Ornamental Bases exhibit the artistic detailing of a talented craftsman. These bases are manufactured from an ultraviolet inhibited material that provides protection against U.V. degradation which ensures years of lasting beauty. A variety of styles and sizes are available, making the selection of the appropriate base an effortless and enjoyable experience.



AP-0207
AP-0208
Bristol Fixture

AP-0286
Poly Acorn Globe

AP-3056
Tapered Pole

AP-0809
Rochester Base



Rochester II

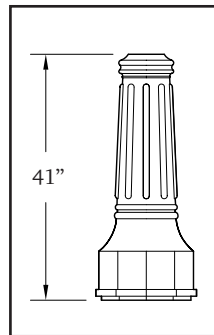


Old Towne I

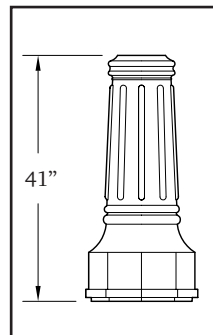


Hamilton

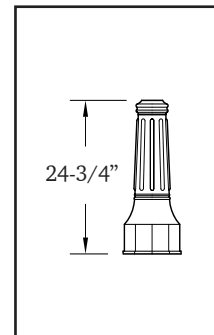
Note: For pole accommodations see Section 4 Page 9.



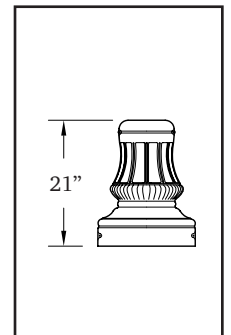
AP-0803
Rochester I
Top opening: 5-3/4" Max.
Bottom Opening: 12"



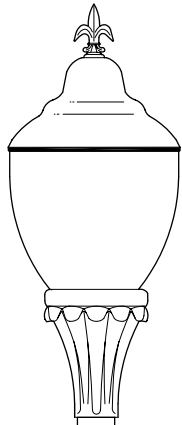
AP-0809
Rochester II
Top opening: 9" Max.
Bottom Opening: 15"



AP-0804
Old Towne I
Top opening: 3 1/2" Max.
Bottom Opening: 7 1/2" Max.



AP-0810
Hamilton
Top opening: 6 1/2" Max.
Bottom Opening: 14 1/2" Max.



AP-0207
AP-0208
Bristol
Fixture

AP-0287
Acrylic
Globe

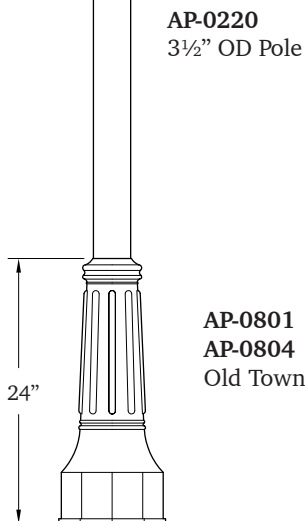
The Old Towne collection of aluminum bases combine with 2-3/8" to 3 1/2" diameter poles to produce a lasting impression of good taste at a very reasonable price.



Old Towne I



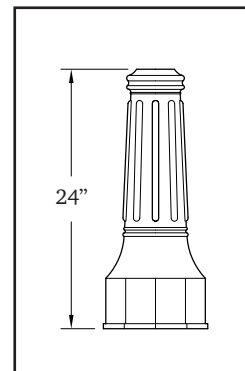
Old Towne II



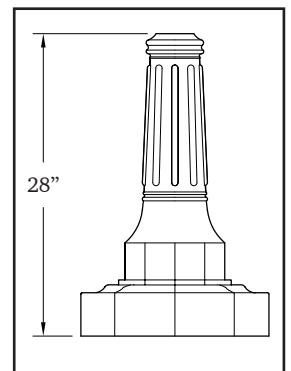
AP-0220
3 1/2" OD Pole

AP-0801
AP-0804
Old Towne I Base

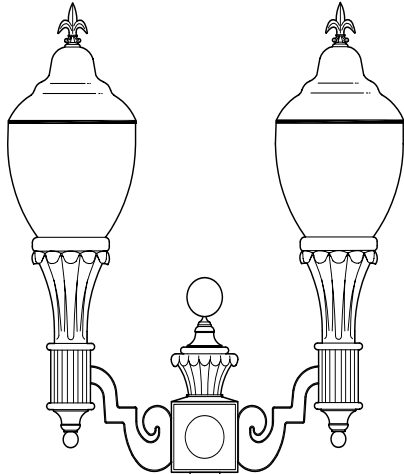
Note: For pole accommodations see Section 4 Page 9.



AP-0801
Old Towne I
Top Opening: 2-3/8"-3 1/2"
Bottom Opening: 7 1/2" Max.



AP-0807
Old Towne II
Top Opening: 2-3/8"-3 1/2"
Bottom Opening: 13" Max.



AP-8203
Twin Arm

AP-0207
AP-0208
Bristol
Fixture

AP-0287
Acrylic Globe

The Country Club and LeGrande aluminum decorative bases truly demonstrate that elegance of past eras can be recaptured and appreciated once again. Their sheer size and detailing make them very distinctive.

AP-2079
Tapered Fiberglass Pole



Country Club



Le Grande

The Hamilton Cast Aluminum Base captures the classic detail and charm of the past.

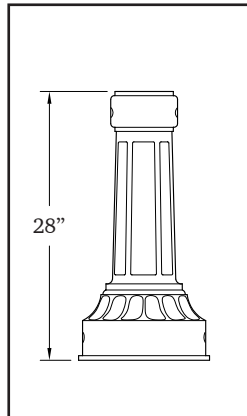
Two-piece clamshell mounts easily to a light pole with four stainless steel tamper proof fasteners, concealing the hand hole on most applications.



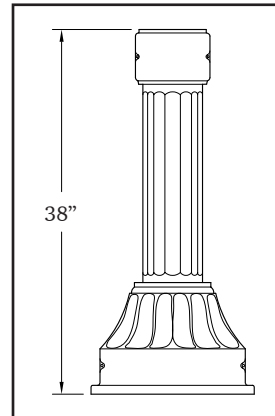
Hamilton

4" Custom Medallion available on Country Club or LeGrande Base

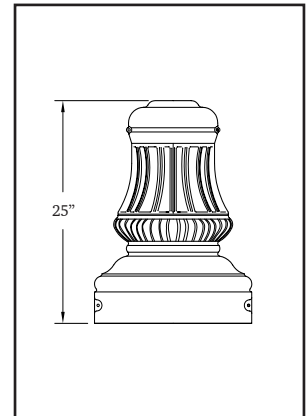
AP-0814
LeGrande
Base



AP-0811
Country Club
Top Opening: 3½" - 5-1/8"
Bottom Opening: 12" Max.



AP-0814
Le Grande
Top Opening: 3½" - 5-3/4"
Bottom Opening: 17" Max.



AP-0816
Hamilton
Top Opening: 4" - 8½" Max.
Bottom Opening: 16-3/4" Max.

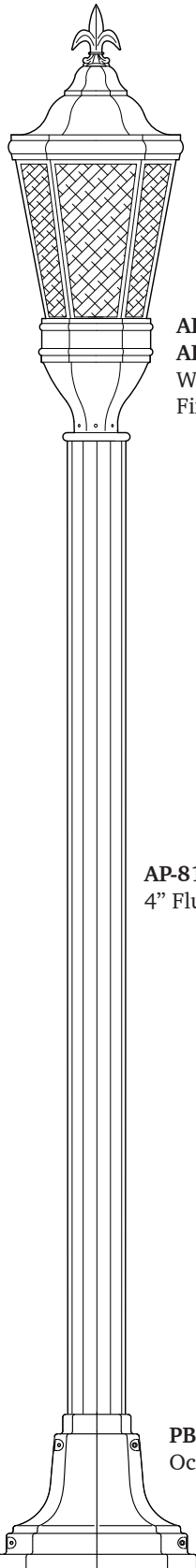
The Octagonal Aluminum Base is designed specifically to fit our 4" fluted pole. Each facet of the Octagonal Base aligns perfectly. The Octagonal creates an ideal marriage of style and grace.



Oxford



Octagonal

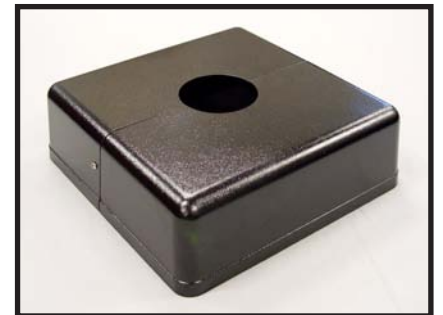


AP-0216
AP-0217
Windsor
Fixture

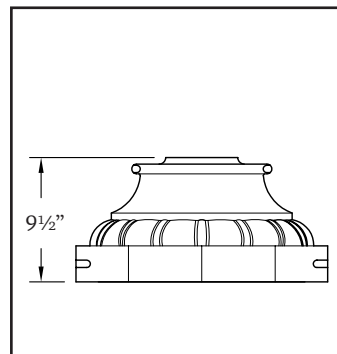
AP-8122
4" Fluted Pole

PB-5414
Octagonal Base

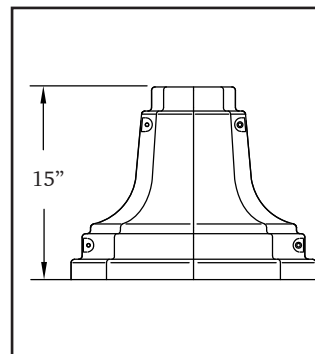
This Two-Piece cast aluminum Mold Base neatly covers Anchor Bolts and Baseplates for poles 4½" to 8-5/8" OD.



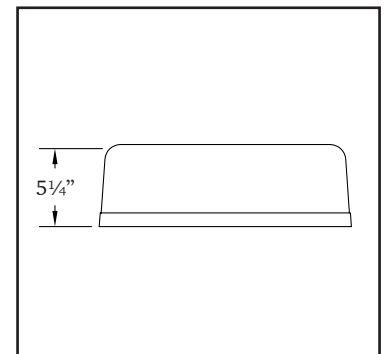
Square Cover



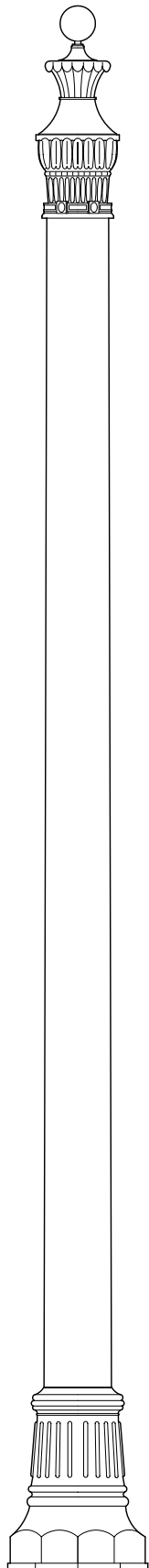
AP-0817
Oxford
Top Opening: 3½" - 10" Max.
Bottom Opening: 17" Max.



PB-5414 Octagonal 2-Pc
Top Opening: 4" Fluted
PB-5416 Octagonal 2-Pc
Top Opening: 2-7/8" - 5" Max.
Bottom Opening: 16" Max.



PB-5399
Square Cover
Top Opening: 4½" - 8-5/8" Max.
Bottom Opening: 15" Max.



PB-5315
Ornamental
Pole Top

PB-5384
Rochester
Aluminum
Base

Pelco's unique decorative Aluminum Bases feature ornamental designs scaled to compliment large traffic signal poles or flagpoles with a diameter from 8"-26". Cast of durable, lightweight aluminum and powder coated to compliment and enhance any city streetscape or development for years.



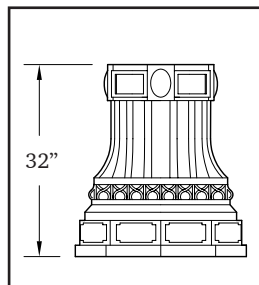
Ornamental Base
fits 8"-12" Dia. Flag Poles



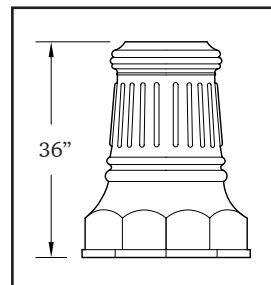
Rochester Base
fits 8"-14" Dia. Poles



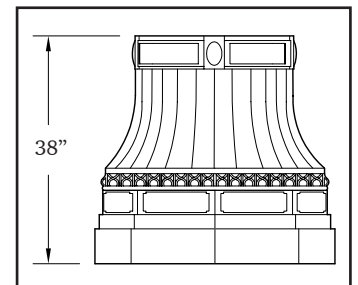
Ornamental Base
fits 18"-26" Dia. Poles



AP-0802
Flag Pole Base
Fits 8"-12" Dia. Poles



PB-5384
Rochester Alum. Base
Fits 8"-14" Dia. Poles

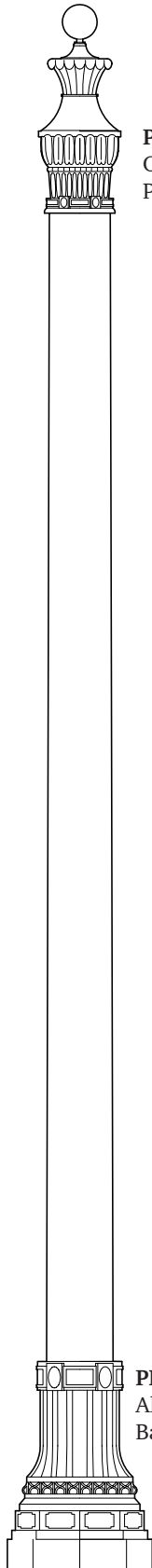


PB-5381
Ornamental Base
Fits 18"-26" Dia. Poles

Decorative pole tops and medallions used in conjunction with ornamental bases will give any project a “period” look. Decorative pole tops can be mounted on traffic poles with a diameter measuring 8”-12”. Add a custom cast aluminum medallion with your city or development logo to add a personal touch and show community pride. Custom 4” medallions can be fastened mechanically to any of Pelco’s large Ornamental Base Assemblies.



Ornamental Pole Top for 8”-16” Dia. Poles



PB-5315
Ornamental Pole Top

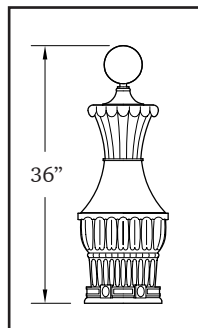
PB-5354
Aluminum Base



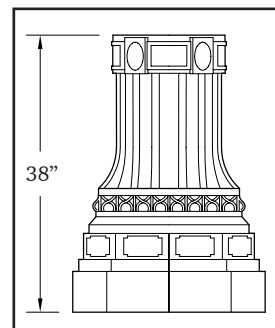
Ornamental Base fits 8”-12” Dia. Poles



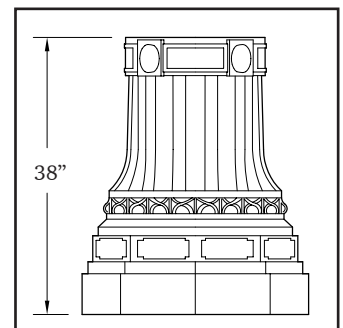
Ornamental Base fits 12”-16” Dia. Poles



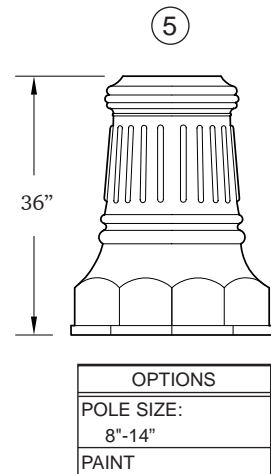
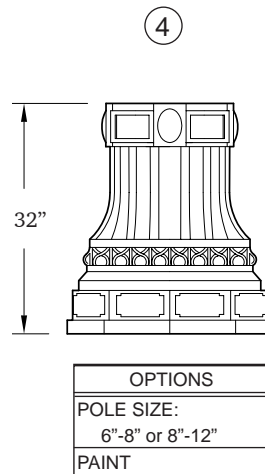
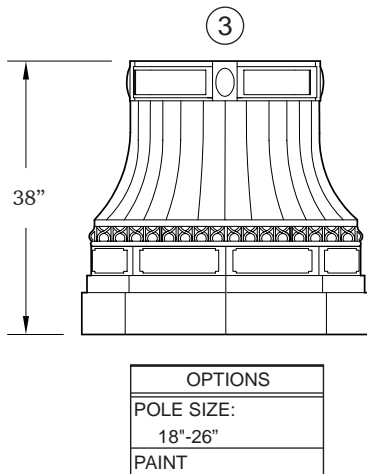
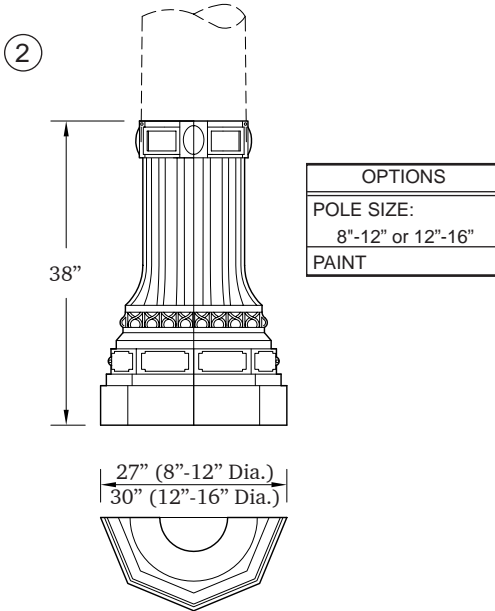
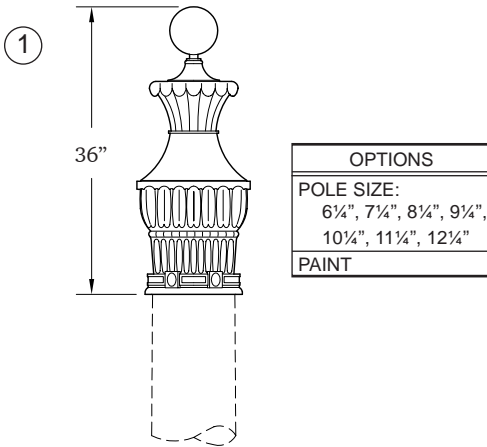
PB-5315
Pole Top
Fits 6¼”-12¼” Dia.



PB-5354
Ornamental Base
Fits 8”-12” Dia. Poles

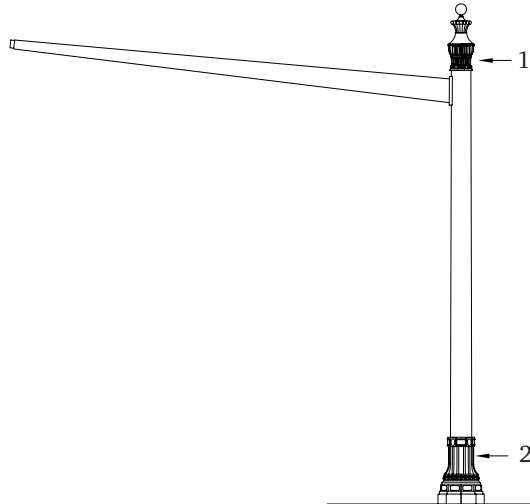


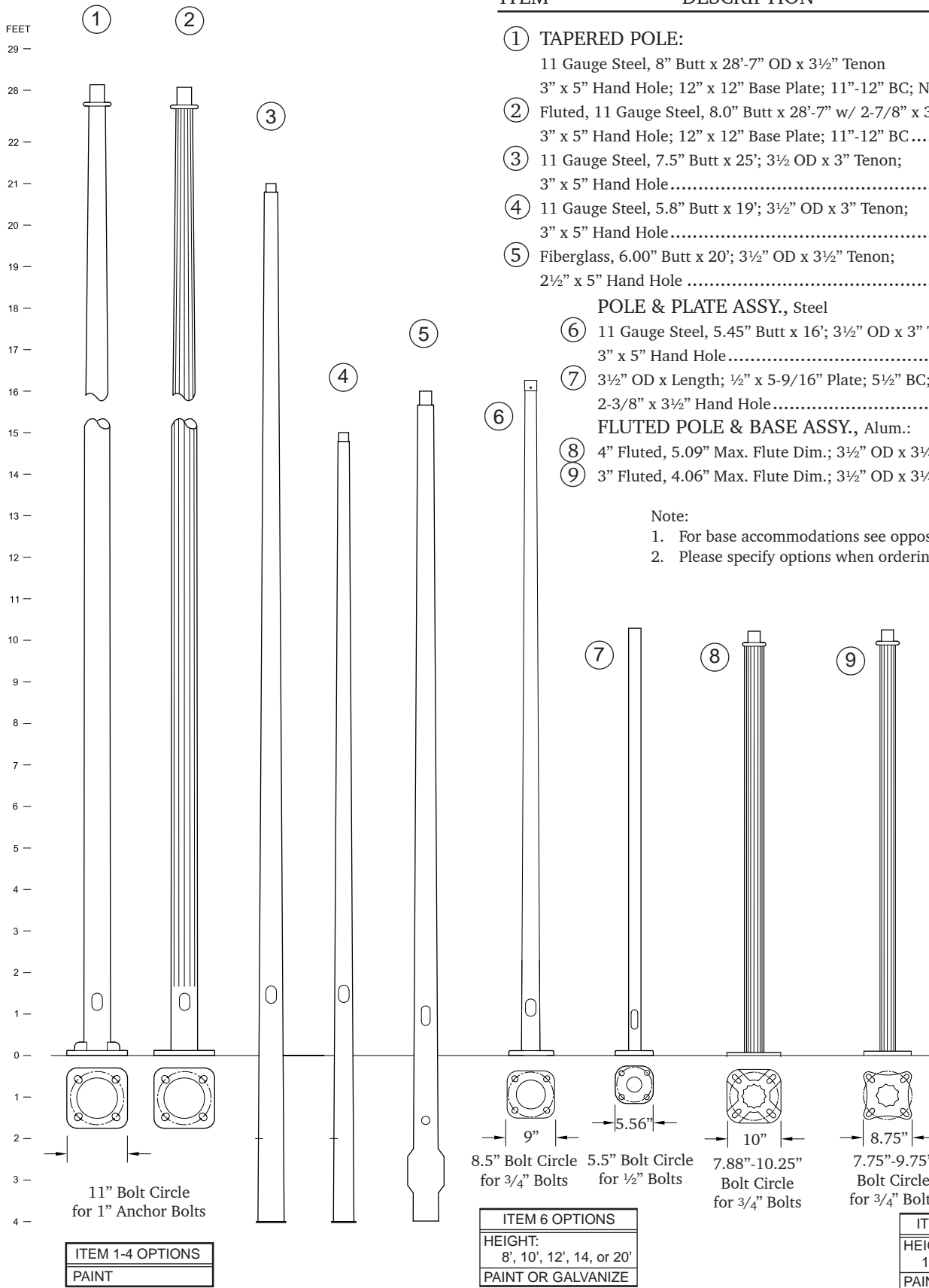
PB-5355
Ornamental Base
Fits 12”-16” Dia. Poles



ITEM	DESCRIPTION	PART NO.
①	ORNAMENTAL POLE TOP, Cast Aluminum For 6¼"-12¼" Diameter Pole	PB-5315
②	ORNAMENTAL POLE BASE, 4-Piece Cast Aluminum For 8"-12" Diameter Pole	PB-5354
	For 12"-16" Diameter Pole	PB-5355
③	For 18"-26" Diameter Pole	PB-5381
④	For 8"-12" Diameter Flag Pole	AP-0802
⑤	Rochester, for 8"-14" Diameter Pole	PB-5384

Note: Please specify options when ordering.





ITEM	DESCRIPTION	PART NO.
①	TAPERED POLE: 11 Gauge Steel, 8" Butt x 28'-7" OD x 3½" Tenon 3" x 5" Hand Hole; 12" x 12" Base Plate; 11"-12" BC; Nut Covers . AP-3045	
②	Fluted, 11 Gauge Steel, 8.0" Butt x 28'-7" w/ 2-7/8" x 3½" Tenon 3" x 5" Hand Hole; 12" x 12" Base Plate; 11"-12" BC..... AP-3078	
③	11 Gauge Steel, 7.5" Butt x 25'; 3½" OD x 3" Tenon; 3" x 5" Hand Hole..... AP-3057	
④	11 Gauge Steel, 5.8" Butt x 19'; 3½" OD x 3" Tenon; 3" x 5" Hand Hole..... AP-3056	
⑤	Fiberglass, 6.00" Butt x 20'; 3½" OD x 3½" Tenon; 2½" x 5" Hand Hole AP-2079	
	POLE & PLATE ASSY., Steel	
⑥	11 Gauge Steel, 5.45" Butt x 16'; 3½" OD x 3" Tenon; 3" x 5" Hand Hole AP-3096	
⑦	3½" OD x Length; ½" x 5-9/16" Plate; 5½" BC; 2-3/8" x 3½" Hand Hole..... AP-0220	
	FLUTED POLE & BASE ASSY., Alum.:	
⑧	4" Fluted, 5.09" Max. Flute Dim.; 3½" OD x ¾" Tenon .. AP-8122	
⑨	3" Fluted, 4.06" Max. Flute Dim.; 3½" OD x ¾" Tenon .. AP-8119	

Note:
1. For base accommodations see opposite side of page.
2. Please specify options when ordering.

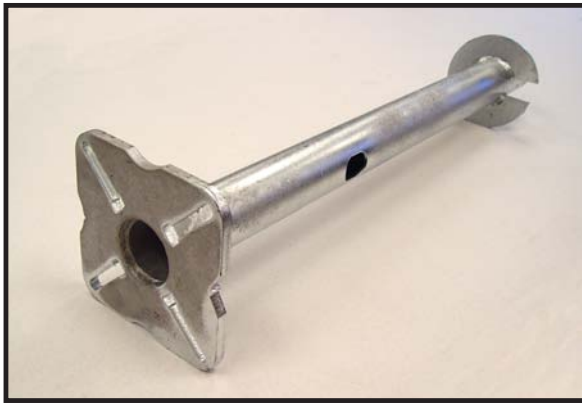
ITEM 1-4 OPTIONS
PAINT

ITEM 6 OPTIONS
HEIGHT:
8', 10', 12', 14, or 20'
PAINT OR GALVANIZE

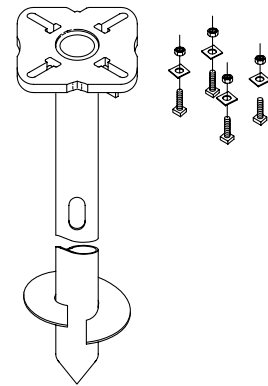
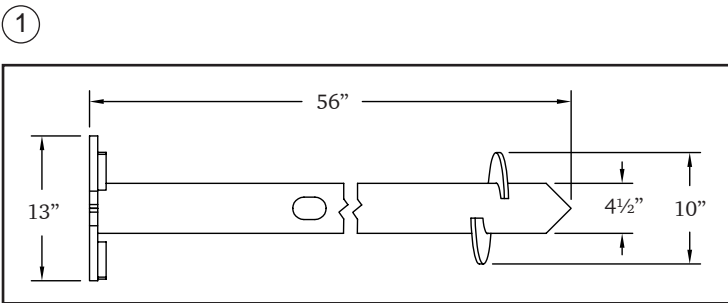
ITEM 7-8 OPTIONS
HEIGHT:
10', 12', or 14'
PAINT

Pole and Base Accommodations

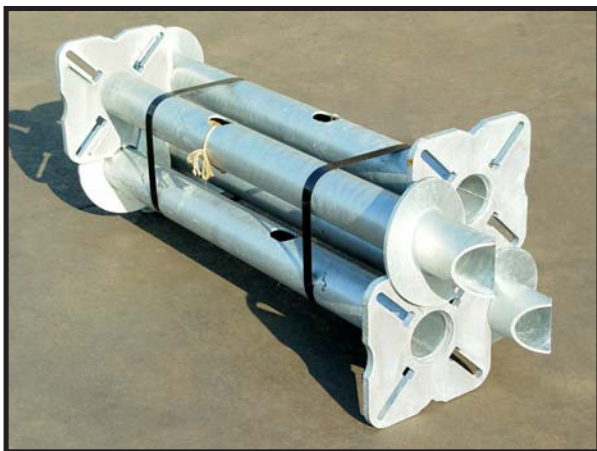
Poles:	AP-3045	AP-3078	AP-3057	AP-3056	AP-2079	AP-3096	AP-0220	AP-8119	AP-8122
Aluminum Bases:									
AP-0801 Old Towne I 2.88"-3.5" opening x 24" ht	n/a	n/a	n/a	n/a	n/a	n/a	Yes	n/a	n/a
AP-0807 Old Towne II 2.88"-3.5" opening x 28" ht	n/a	n/a	n/a	n/a	n/a	n/a	Yes	n/a	n/a
AP-0811 Country Club 2.88"-4½" opening x 28" ht	n/a	n/a	n/a	Yes	n/a	n/a	Yes	Yes	n/a
AP-0814 LeGrande 3.5"-5.75" opening x 38" ht	n/a	n/a	n/a	Yes	Yes	Yes	Yes	Yes	Yes
AP-0816 Hamilton 4"-8½" opening x 24.75" ht	Yes	Yes	Yes	Yes	Yes	Yes	n/a	Yes	Yes
PB-5384 Rochester 8"-16" opening x 36" ht	Yes	Yes	n/a	n/a	n/a	n/a	n/a	n/a	n/a
AP-0802 Flag Pole 6"-12" opening x 32" ht	Yes	Yes	n/a	n/a	n/a	n/a	n/a	n/a	n/a
PB-5414 Octagonal 4" fluted opening x 16" ht	n/a	n/a	n/a	n/a	n/a	n/a	n/a	n/a	Yes
PB-5416 Octagonal 2.88"-5" opening x 16" ht	n/a	n/a	n/a	n/a	n/a	n/a	Yes	Yes	n/a
AP-0817 Oxford 3.5"-10" opening x 9" ht	Yes	Yes	Yes	Yes	Yes	n/a	Yes	Yes	n/a
ABS Bases:									
AP-0803 Rochester I 5.75" max opening x 41" ht	n/a	n/a	n/a	Yes	Yes	n/a	Yes	Yes	n/a
AP-0809 Rochester II 9" max opening x 41" ht	Yes	Yes	Yes	Yes	n/a	Yes	n/a	Yes	n/a
AP-0804 Old Towne I 3.5" max opening x 24.75" ht	n/a	n/a	n/a	n/a	Yes	n/a	n/a	n/a	n/a
AP-0810 Hamilton 6.5" max opening x 21" ht	n/a	n/a	n/a	Yes	Yes	Yes	Yes	Yes	n/a



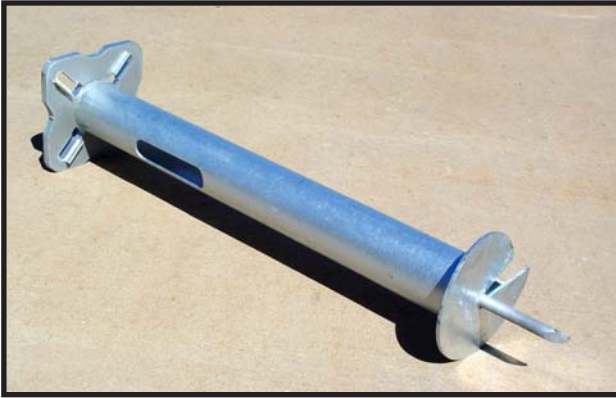
ITEM	DESCRIPTION	PART NO.
①	FOUNDATION ANCHOR ASSY., 4" W/ 3/4"-10NC Galv Hardware Kit, 7-3/4" to 14-3/4" Bolt Circle, 2" x 3" Hand Hole (wt 82 lbs.)	PB-5364



For residential lights, parking lots and street lights. Typically for pole heights up to 16'. Plate scrapers loosen the soil for easy bolt installation from top of the plate. Square head bolt is held by the scraper to prevent turning while mounting base. (See note below).

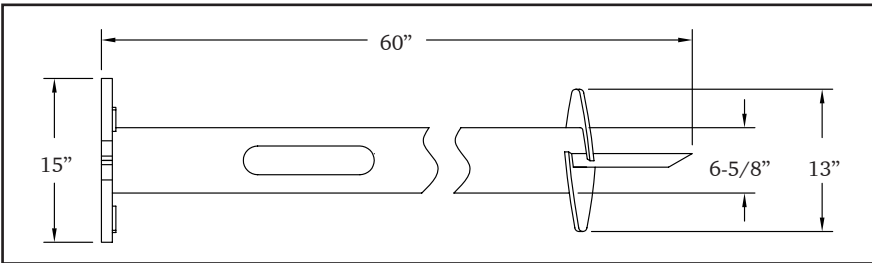


Note: All of Pelco's foundation anchors feature a top plate which enables the bolt head to be inserted after anchor is in place. This eliminates the necessity of digging under the plate to install base bolts. The bolt head is held by the plate scraper which prevents it from turning. Hardware Kits are supplied with Grade 5 bolts. Foundations and hardware are hot dip galvanized per ASTM A123



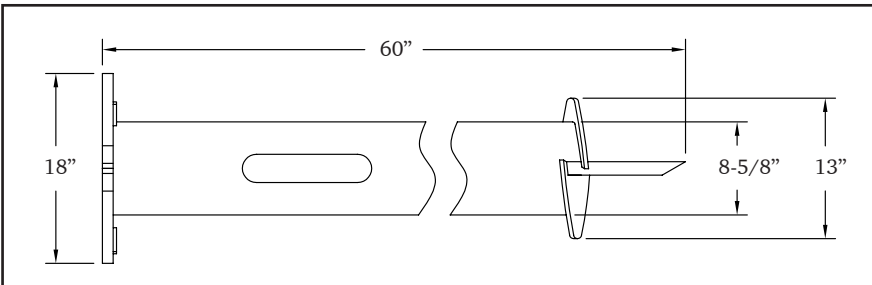
ITEM	DESCRIPTION	PART NO.
①	MEDIUM FOUNDATION ANCHOR ASSY., 6" W/ 1/4"-8NC Galv Hardware Kit 10" to 15" Bolt Circle, 2-3/8" x 12" Hand Hole (wt 150 lbs.)	PB-5372
②	HEAVY DUTY FOUNDATION ANCHOR ASSY., 8" W/ 1/4"-7NC Galv Hardware Kit 13" to 18" Bolt Circle, 2-3/8" x 12" Hand Hole (wt 234 lbs.)	PB-5375
③	DRIVER ADAPTER for Foundation Anchor	PB-0604
④	SHIM, Steel, 1/16" x 2" x 2"	PB-0602
⑤	SHIM, Steel, 1/8" x 2" x 2"	PB-0603

①

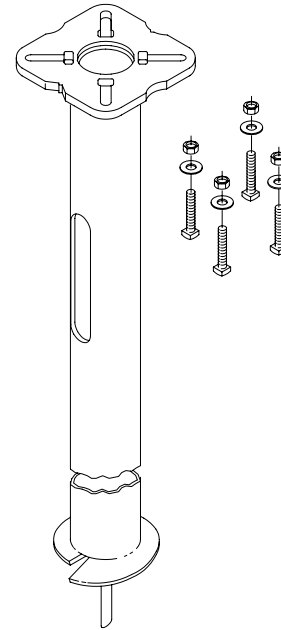


Medium Foundation: For residential lights, parking lots, etc. Typically for poles ranging from 20'-30' in height. (See Note Below).

②



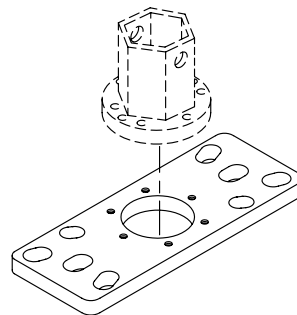
Heavy Duty Foundation: For street and highway lighting. Typically for poles ranging from 30'-50' in height. (See Note Below).



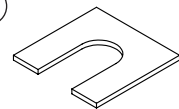
③



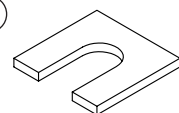
Required to connect the Kelly bar adapter to the foundation anchor for installation. Special hole pattern permits installation of foundation anchors having bolt circle diameter of 9" to 13".



④



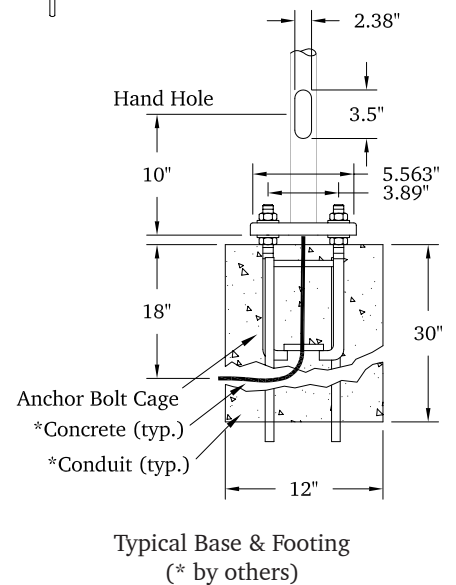
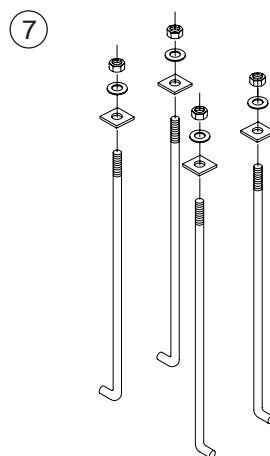
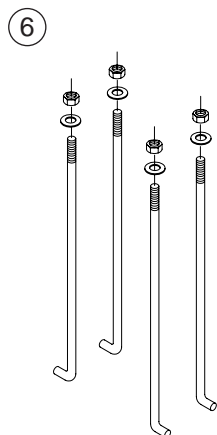
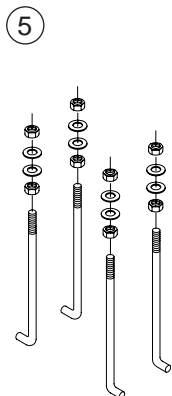
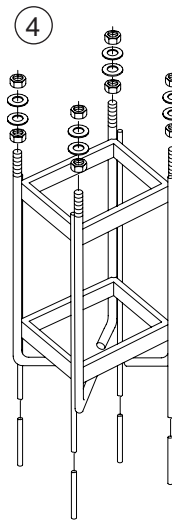
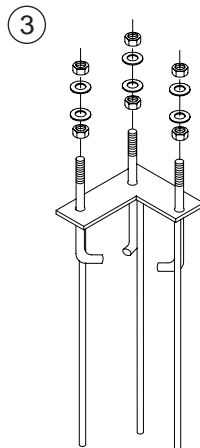
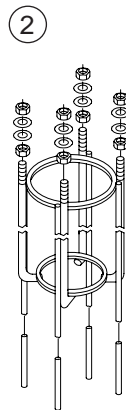
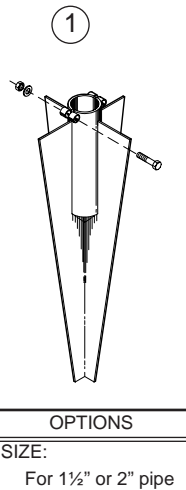
⑤



Note: All of Pelco's foundation anchors feature a top plate which enables the bolt head to be inserted after anchor is in place. This eliminates the necessity of digging under the plate to install base bolts. The bolt head is held by the plate scraper which prevents it from turning. Hardware Kits are supplied with Grade 5 bolts. Foundations and hardware are hot dip galvanized per ASTM A123



ITEM	DESCRIPTION	PART NO.
①	POST ANCHOR, Steel: Drive-In Assembly w/ 3/8" Hardware	AP-3048
	ANCHOR BOLT CAGE, Steel:	
②	w/ 3/8" x 36" Rebar, 5 1/2" BC, 1/2"-13NC x 7 1/2" Anchor Bolts and Hardware	AP-1049-36
	w/ 3/8" x 36" Rebar, 8 1/2" BC, 3/4"-10NC x 18" Anchor Bolts and Hardware	AP-1089-36
③	w/ 3/8" x 24" Rebar, 9" BC, 1/2"-13NC x 7 1/2" Anchor Bolts and Hardware (used w/ Bollards)	AP-3081-24
④	w/ 3/8" x 36" Rebar, 13" BC, 3/4"-10NC x 18" Anchor Bolts and Hardware	AP-1095-36
	ANCHOR BOLT SET:	
⑤	1/2"-13 x 7 1/2", Set of 4 w/ (2) Nuts & Washers (used w/ AP-0220, 3 1/2" OD Pole)	AP-1046
⑥	3/4"-10NC x 18", Set of 4 w/ Nuts & Washers (used w/ AP-8119, 3" Fluted Pole & AP-8122, 4" Fluted Pole).....	PB-5306
⑦	3/4"-10NC x 18", Set of 4 w/ Nuts, Washers & Square Washers (used w/ Oct. Base)	PB-5371



①



ITEM	DESCRIPTION	PART NO.
------	-------------	----------

①	ANCHOR BOLT TEMPLATE, ABS Plastic	AP-3085
---	--	---------

- Quick, easy set-up in minutes
- 41 different bolt circle patterns 5½"-25½"
- Easy guide divots every 1/2"

The Bolt Template is a "tool" used for layout of bolts to be used in concrete for the future installation of poles. Constructed of UV stabilized ABS plastic the Bolt Template may be used for various bolt patterns from 5½" up to 25½". Accepts multiple conduits through the center with the capacity for up to two 2" conduits and multiple smaller conduits at one time.