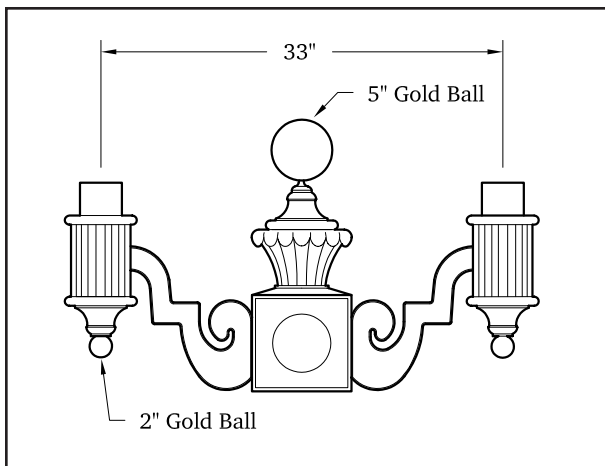


The Bristol Series Twin Arm brings timeless beauty to your development. The Twin Arm, which can be equipped with acorn or acrylic globes, offers an air of elegance to any neighborhood. Customize from a selection of finials and with a distinctive cast ornament to create a truly unique identity.

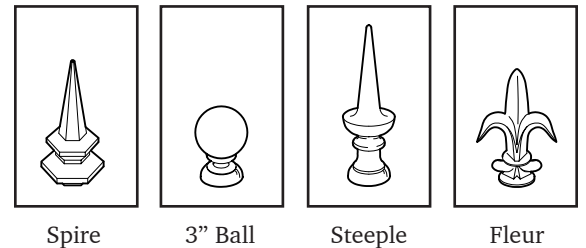


Bristol Twin Arm  
23" Acrylic Globe  
Steeple Finial  
5" Gold Ball



AP-8203  
Twin Arm  
w/ 5" Gold Ball

Whether it's mounted on a fluted aluminum pole or a tapered steel pole Pelco's Twin Arm Assembly adds a grand appearance. Available with a variety of finials that will complement either the Bristol or Windsor style fixtures.



Spire

3" Ball

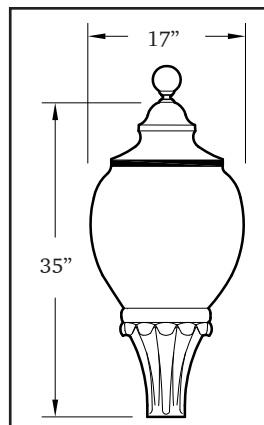
Steeple

Fleur

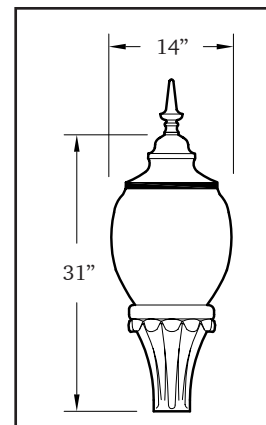
Note: For fixture and globe options see Section 2 Page 2.



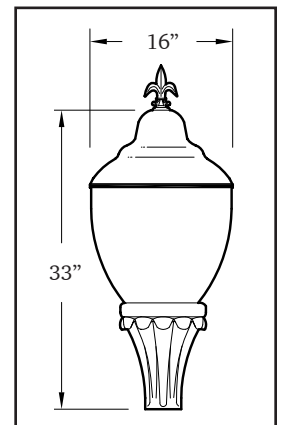
Custom  
Cast Ornament



Bristol 25" Acorn Globe  
with 3" Ball Finial



Bristol 21" Acorn Globe  
with Steeple Ball Finial

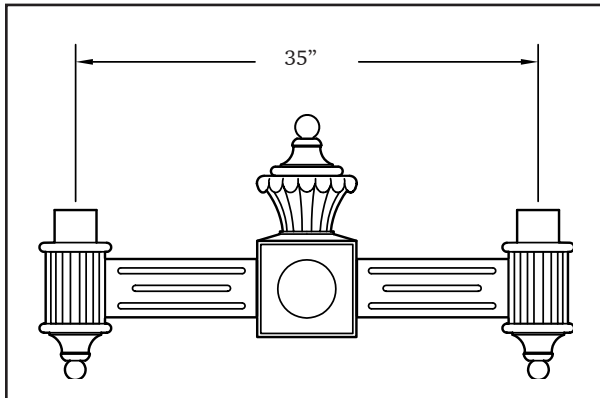


Bristol 23" Acrylic Globe  
with Fleur Finial

The Windsor Series Twin Arm offers designers a cost effective solution for illuminating entryways or public spaces where safety and security are a concern. Designed to recreate the classic style of the 1800's, this assembly is the perfect addition to your development. The Twin Arm assembly can be given a custom look by selecting the finial option that best compliments your project.

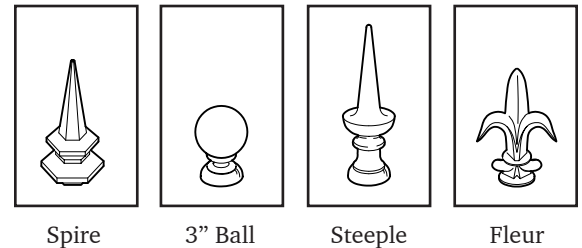


Windsor Twin Arm  
5" Gold Ball Finial



AP-8374  
Twin Arm

Whether it's mounted on a fluted aluminum pole or a tapered steel pole, this Twin Arm Assembly adds a touch of classic style. A variety of finials are available to compliment the Windsor fixture.



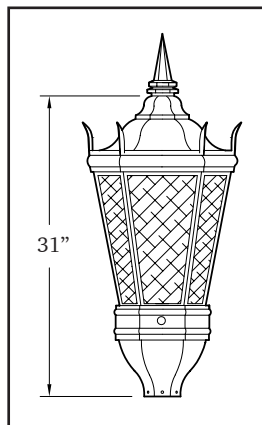
Spire

3" Ball

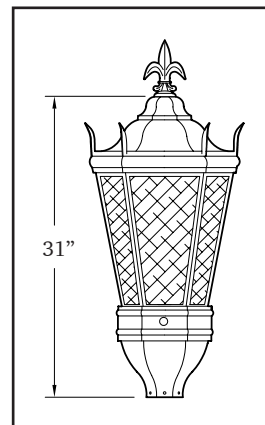
Steeple

Fleur

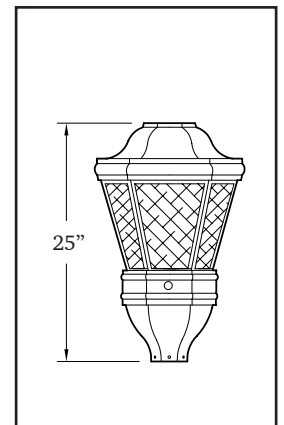
Note: For fixture options see Section 2 Page 4.



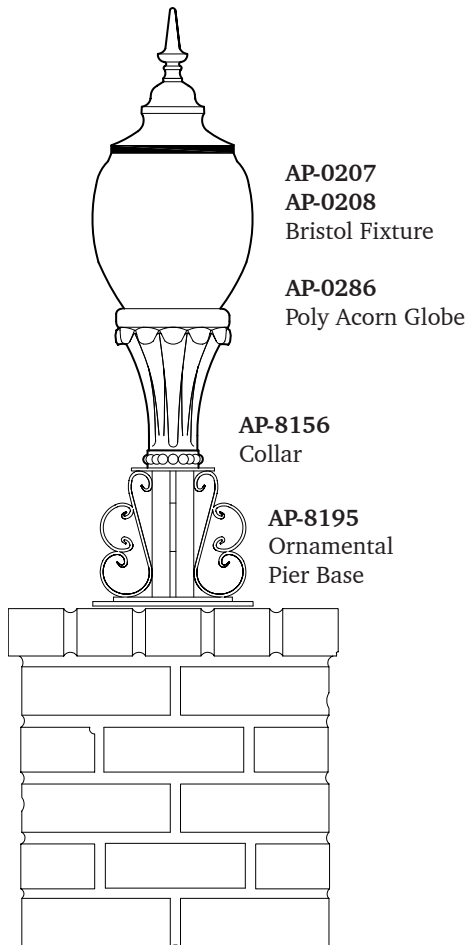
Windsor with Spikes,  
and Spire Finial



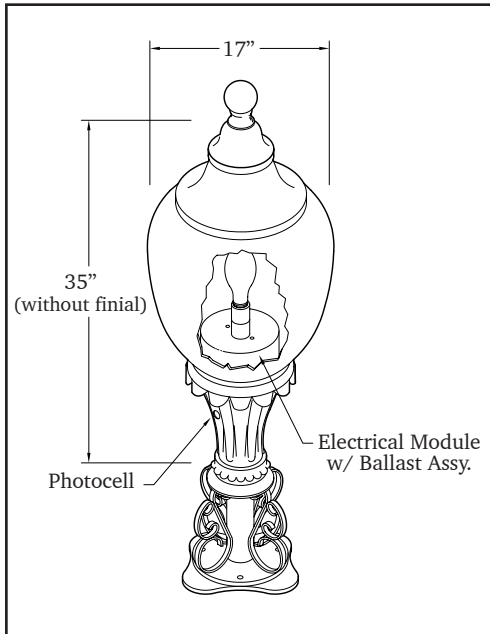
Windsor  
with Fleur Finial



Windsor Lantern



Bristol Column Mount  
w/ Ornamental Collar,  
25" Acorn Globe,  
3" Ball Finial

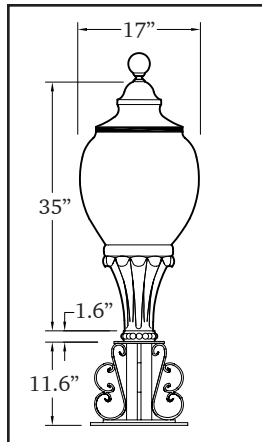


The Bristol Column Mount features an ornamental pedestal designed for masonry columns. The Bristol Column Mount, the perfect companion to the Bristol street lamps, is offered with numerous ballast, globe, and finial treatments in either metal halide or high pressure sodium.

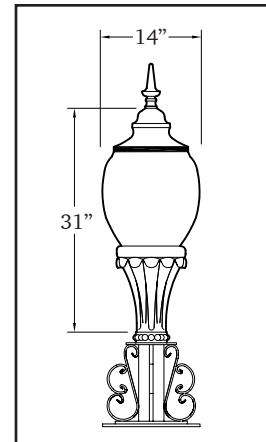


Bristol Column Mount  
w/ Ornamental Collar,  
25" Acorn Globe  
Steeple Finial

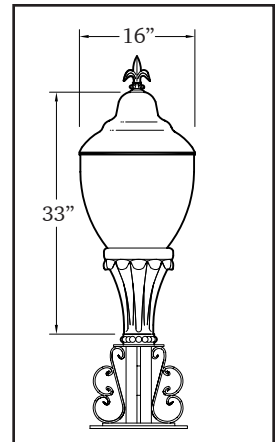
Note: For fixture and globe options see Section 2 Page 2.



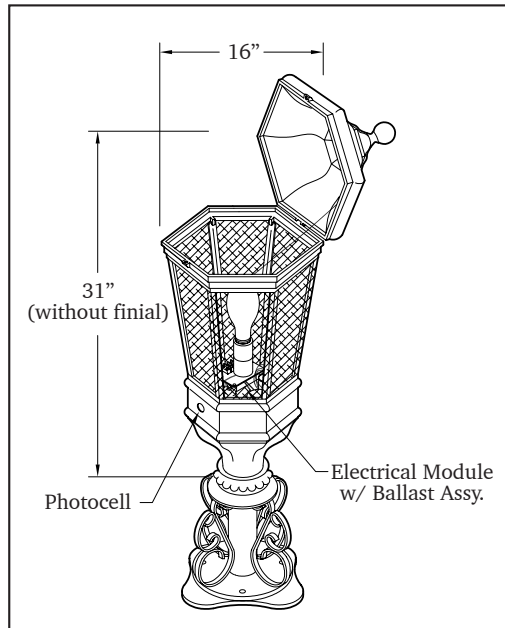
Bristol 25" Acorn Globe  
with 3" Ball Finial



Bristol 21" Acorn Globe  
with Steeple Finial

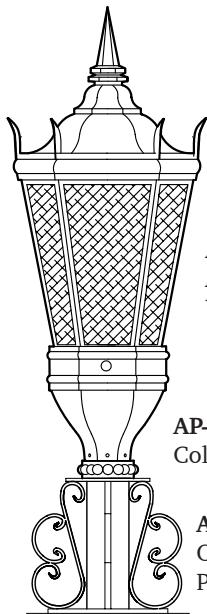


Bristol 23" Acrylic Globe  
with Fleur Finial



Windsor Column Mount  
w/ Ornamental Collar  
& Spire Finial

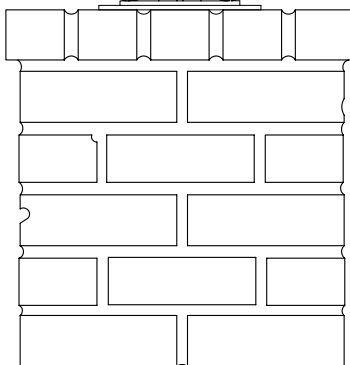
The Windsor Column Mount with its ornamental pedestal, presents an elegant way to illuminate any entry. Designed to compliment the Windsor street lamps, this lantern can be customized with a variety of ballasts and finials, in metal halide or high pressure sodium.



AP-0216  
AP-0217  
Windsor  
Fixture

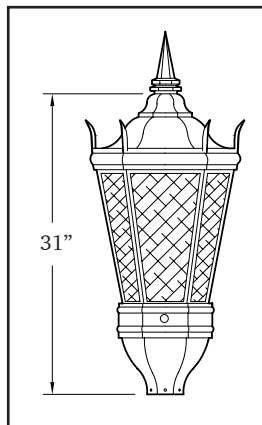
AP-8156  
Collar

AP-8195  
Ornamental  
Pier Base

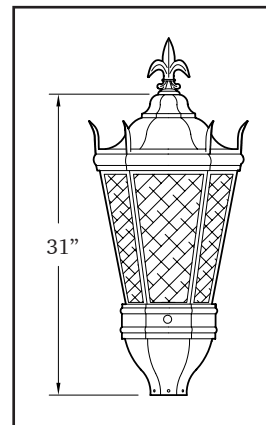


Windsor Column Mount  
w/ Ornamental Collar  
Spire Finial

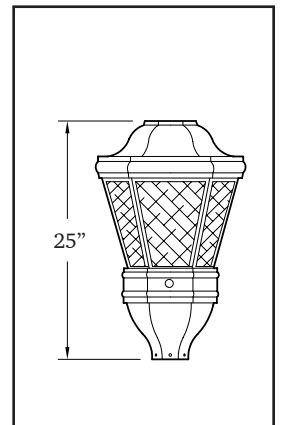
Note: For fixture options see Section 2 Page 4.



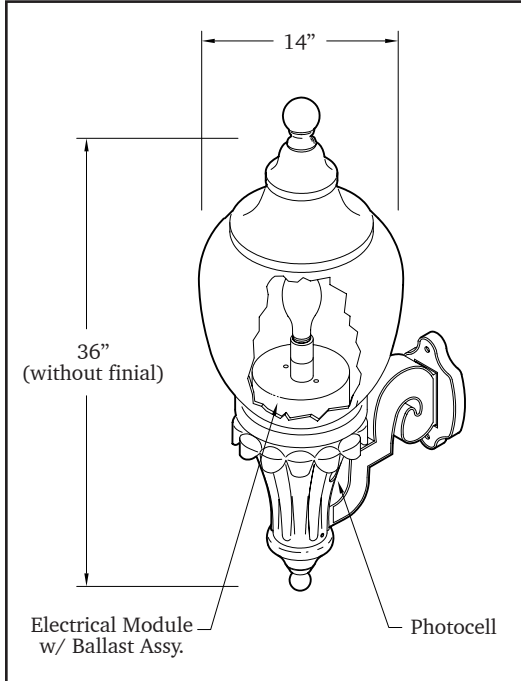
Windsor with Spikes  
and Spire Finial



Windsor with Spikes  
and Fleur Finial



Windsor Lantern



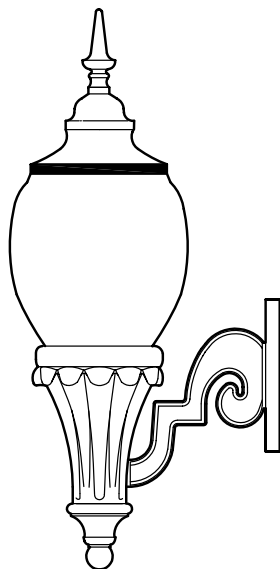
The Bristol Wall Mounts unique scroll arm with matching backplate exudes quality of workmanship. While being the perfect companion to the Bristol Series street lamp, the wall mount can illuminate any special wall with its own functional elegance. Select from several ballast, globe, and finial treatments to create your own work of art in either metal halide or high pressure sodium.



Bristol Wall Mount  
21" Acorn Globe  
Steeple Finial

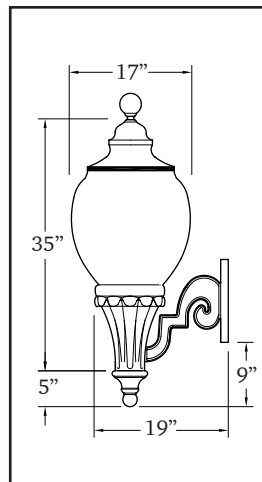
**AP-0250**  
Bristol Series  
High Pressure Sodium

**AP-0231**  
Bristol Series  
Metal Halide

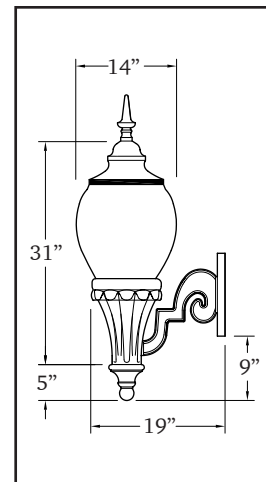


Bristol Wall Mount,  
21" Acorn Globe  
Steeple Finial

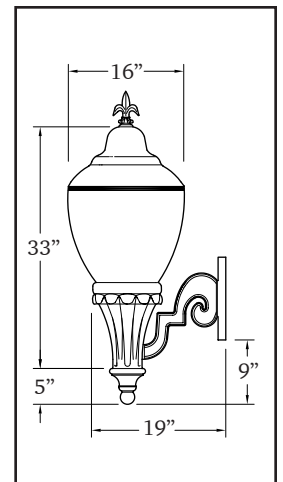
Note: For fixture and globe options see Section 2 Page 2.



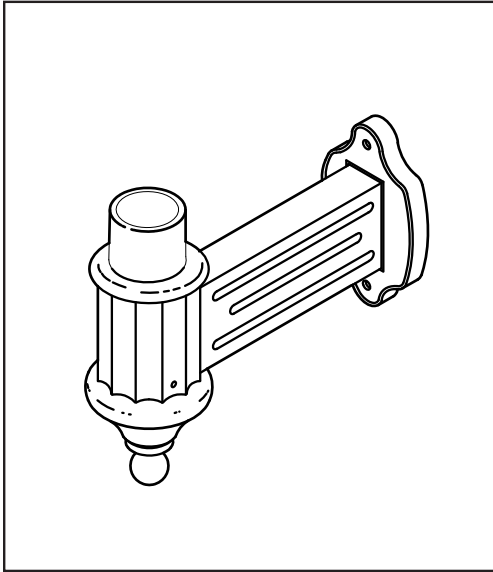
Bristol 25" Acorn  
with 3" Ball Finial



Bristol 21" Acorn  
with Steeple Finial



Bristol 23" Acrylic  
with Fleur Finial

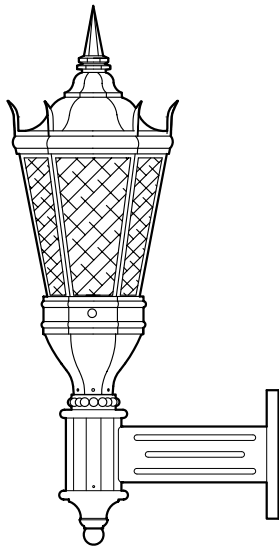


AP-8230  
Windsor Wall  
Mount Arm

The Windsor Wall Mount is the perfect addition to a building that requires decorative lighting. Strong architectural lines combined with the elegant Windsor Series fixture will compliment your project while meeting all your lighting needs.

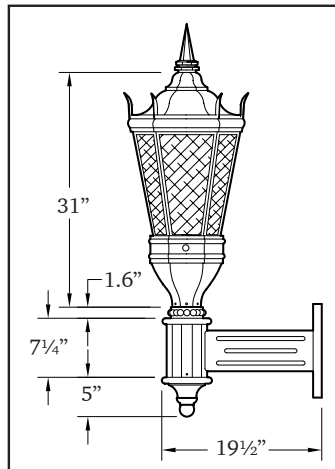


Windsor Wall Mount  
with 3" Gold Ball Finial

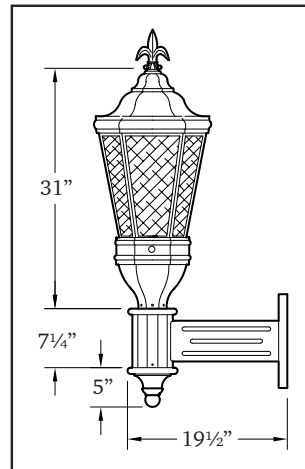


Windsor Wall Mount,  
with Spikes,  
Collar & Spire Finial

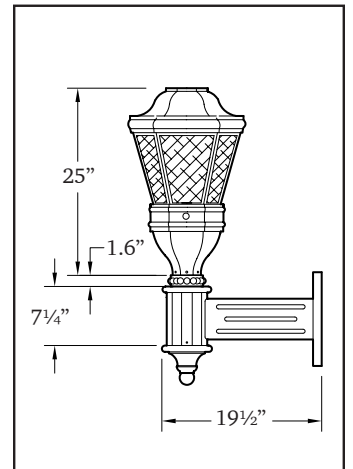
Note: For fixture options see Section 2 Page 4.



Windsor with Spikes,  
Collar & Spire Finial



Windsor  
with Fleur Finial



Windsor Lantern  
with Collar